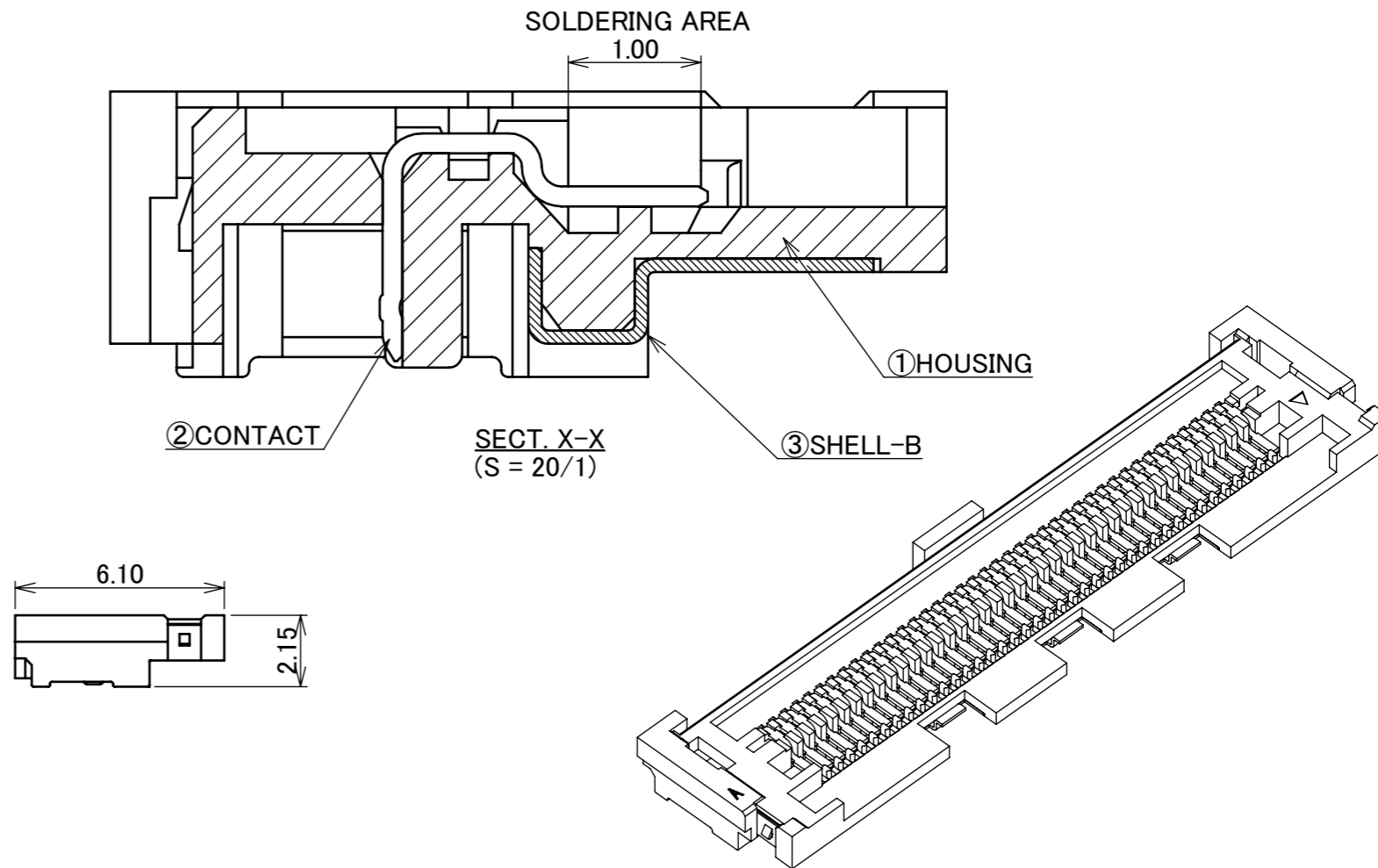
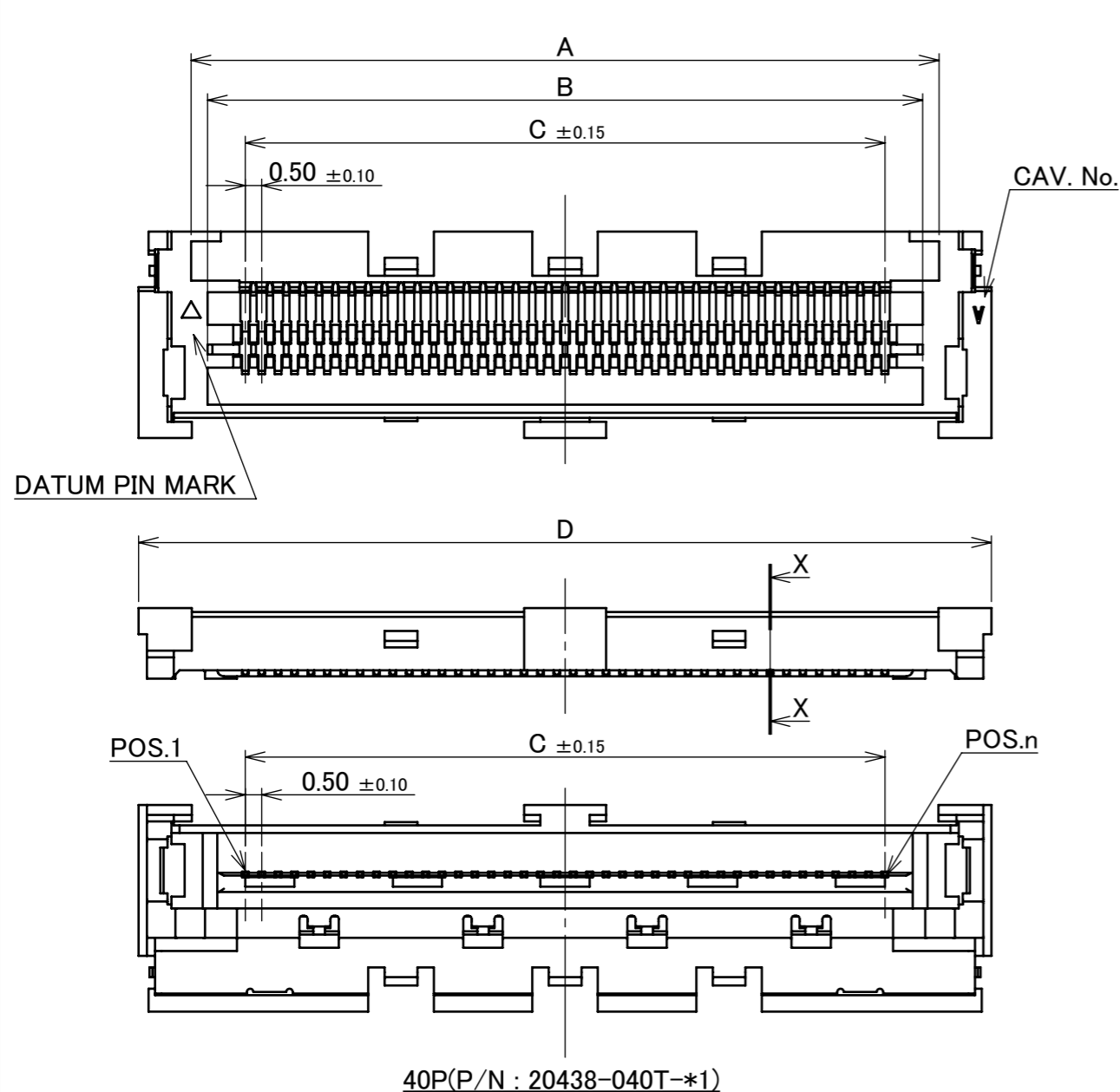


Recommended P/N 20438-0T-01**

PART No.	POS.	A	B	C	D
20438-030T-*1	30	17.80	16.80	14.50	20.80
20438-040T-*1	40	22.80	21.80	19.50	25.80
20438-050T-*1	50	27.80	26.80	24.50	30.80

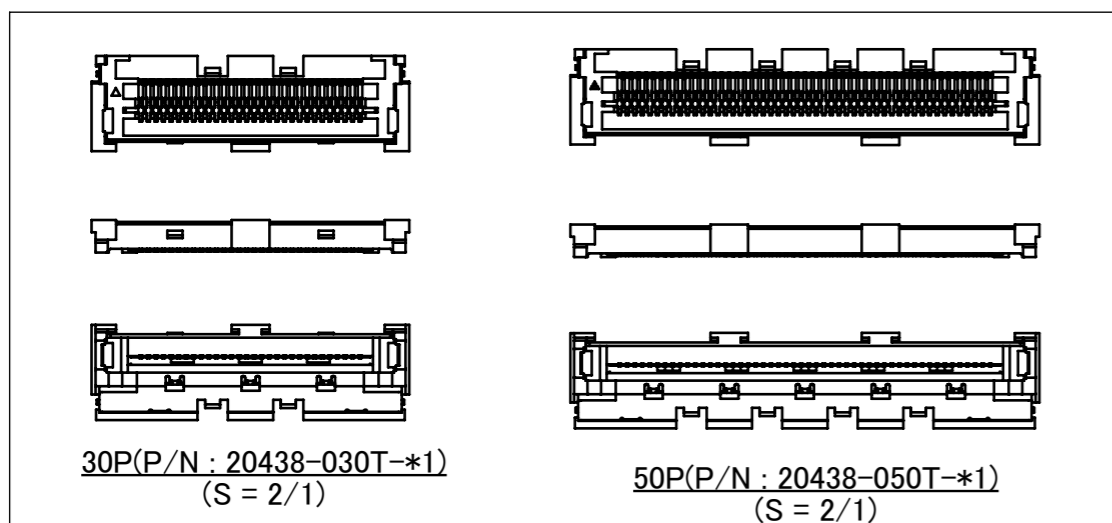
PART NO.	CONTACT FINISH (MATING AREA).
20438-0**T-01	Au 0.10 μm MIN.
20438-0**T-11	Au 0.30 μm MIN.



NOTES

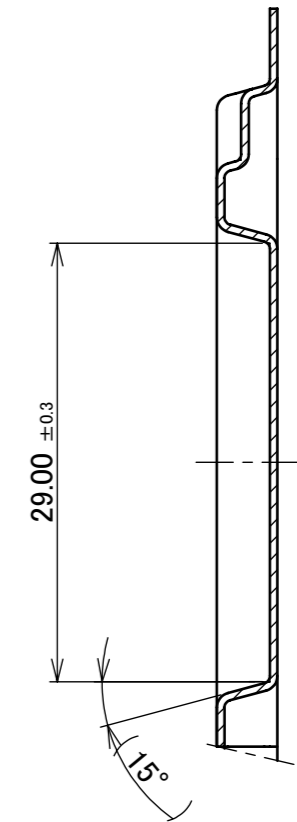
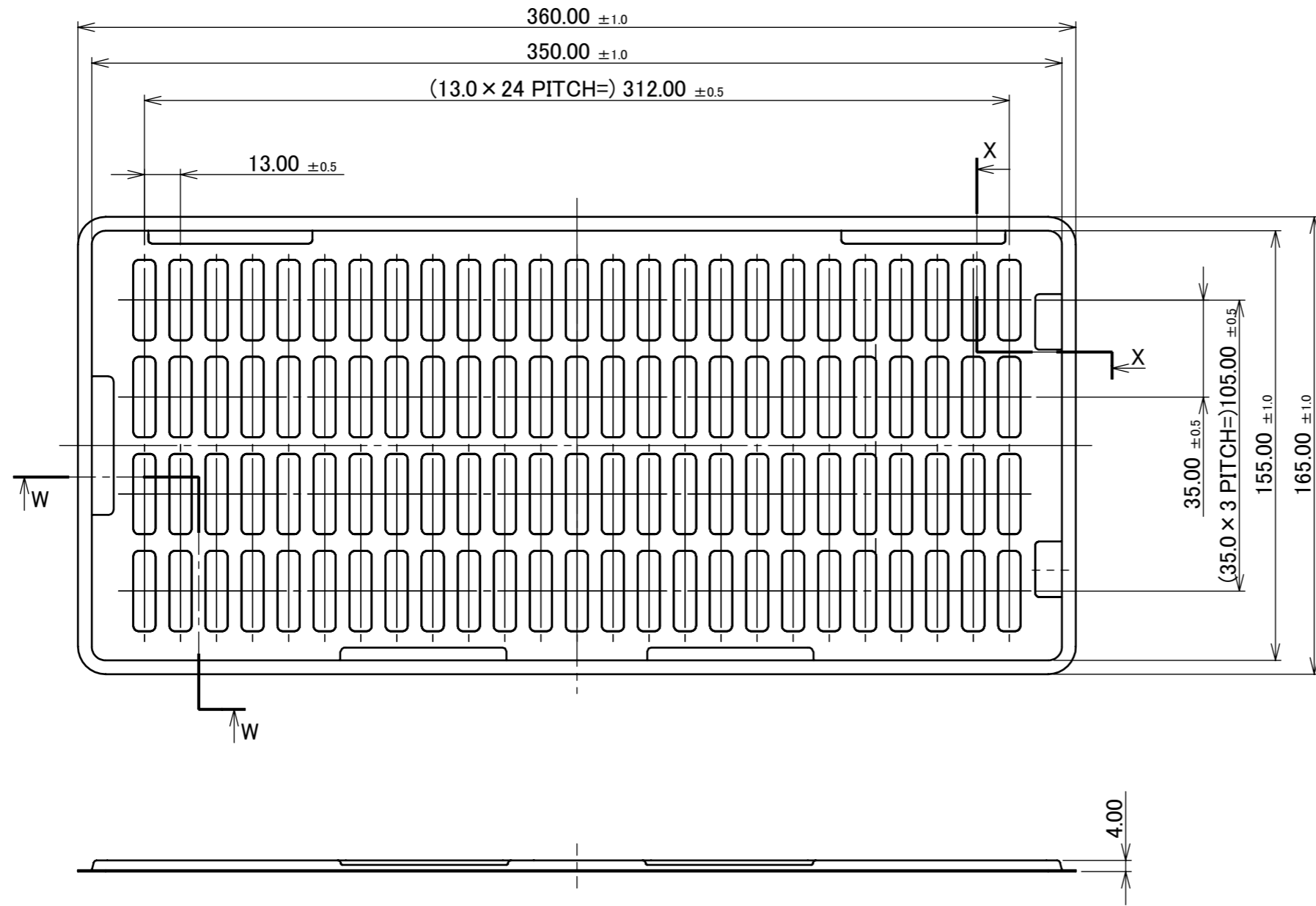
- THIS PART IS ASSEMBLE WITH SHELL-A(PART NO. 2496-0**) AFTER SOLDERED THE CABLE. AND IT BECOMES PART NO. 20437-0**T-*1

NO.	DISCRIPTION	MATERIAL	FINISH , REMARKS
3	SHELL-B	PHOSPHOR BRONZE	Sn 2.00 μm MIN. OVER Ni 1.00 μm MIN.
2	CONTACT	PHOSPHOR BRONZE	<u>PART NO. 20438-0**T-01</u> MATING AREA : Au 0.10 μm MIN. OVER Ni 1.00 μm MIN. OTHER AREA : Au 0.05 μm MIN. OVER Ni 1.00 μm MIN. <u>PART NO. 20438-0**T-11</u> MATING AREA : Au 0.30 μm MIN. OVER Ni 1.00 μm MIN. OTHER AREA : Au 0.05 μm MIN. OVER Ni 1.00 μm MIN.
1	HOUSING	LCP	UL94V-0, BLACK

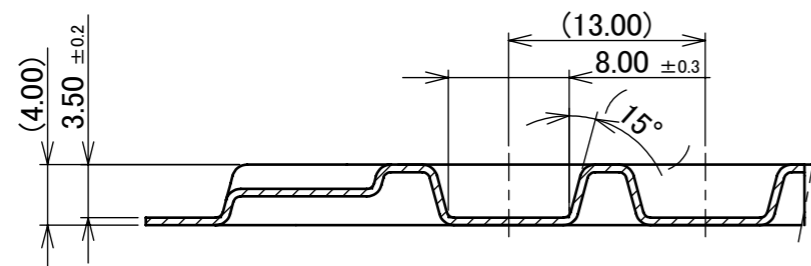


REV.	ECN	BY	DATE	APP.	APP.	DATE	APP.	PROJECTION	SERIES No.	TITLE	SCALE	SHEET	REV.	
11	Z211198	T.O	Oct./01/'21	H.I	ANGLE	±2°	6 OVER 30 MAX.	±0.3	R5	FPL II CONN. PLUG HOUSING ASS'Y	5:1	mm	11	
10	Z191180	R.M	Sept./09/'19	H.I	6 MAX.	±0.2	30 OVER 120 MAX.	±0.5						
9	Z181398	H.A	Oct./26/'18	Y.S	GENERAL TOLERANCE.			FPL II CONN. PLUG HOUSING ASS'Y	R5	FPL II CONN. PLUG HOUSING ASS'Y	5:1	mm	11	
8	Z141380	H.A	Dec./02/'14	E.K	DWG.	K.T	DATE							May/30/'07
7	Z13506	H.A	June/04/'13	E.K	CHK.	Y.H	DATE							May/30/'07
6	Z11041	T.D	Feb./02/'11	T.H	APP.	Y.H	DATE	May/30/'07	DWG. No.	20438	A3	1/3	11	
REVISION RECORD					T.H	June/01/'07								

PART No.	POS.	QTY. PER DITCH (PIECE / DITCH)	QTY. PER TRAY (PIECES / TRAY)	QTY. PER SHIPPING CARTON (TRAYS / SHIPPING CARTON)	QTY. PER PACKING CARTON (PIECES / PACKING CARTON)	PACKING STANDARD
20438-030T-*1	30	1	100 PIECES / TRAY	20 TRAYS / SHIPPING CARTON (2000 PIECES / SHIPPING CARTON)	8000 PIECES / PACKING CARTON (4 SHIPPING CARTONS / PACKING CARTON)	300-584
20438-040T-*1	40					



SECT.X-X
(S=2/1)

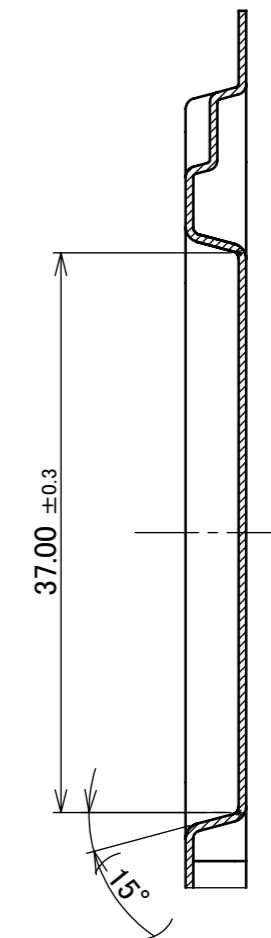
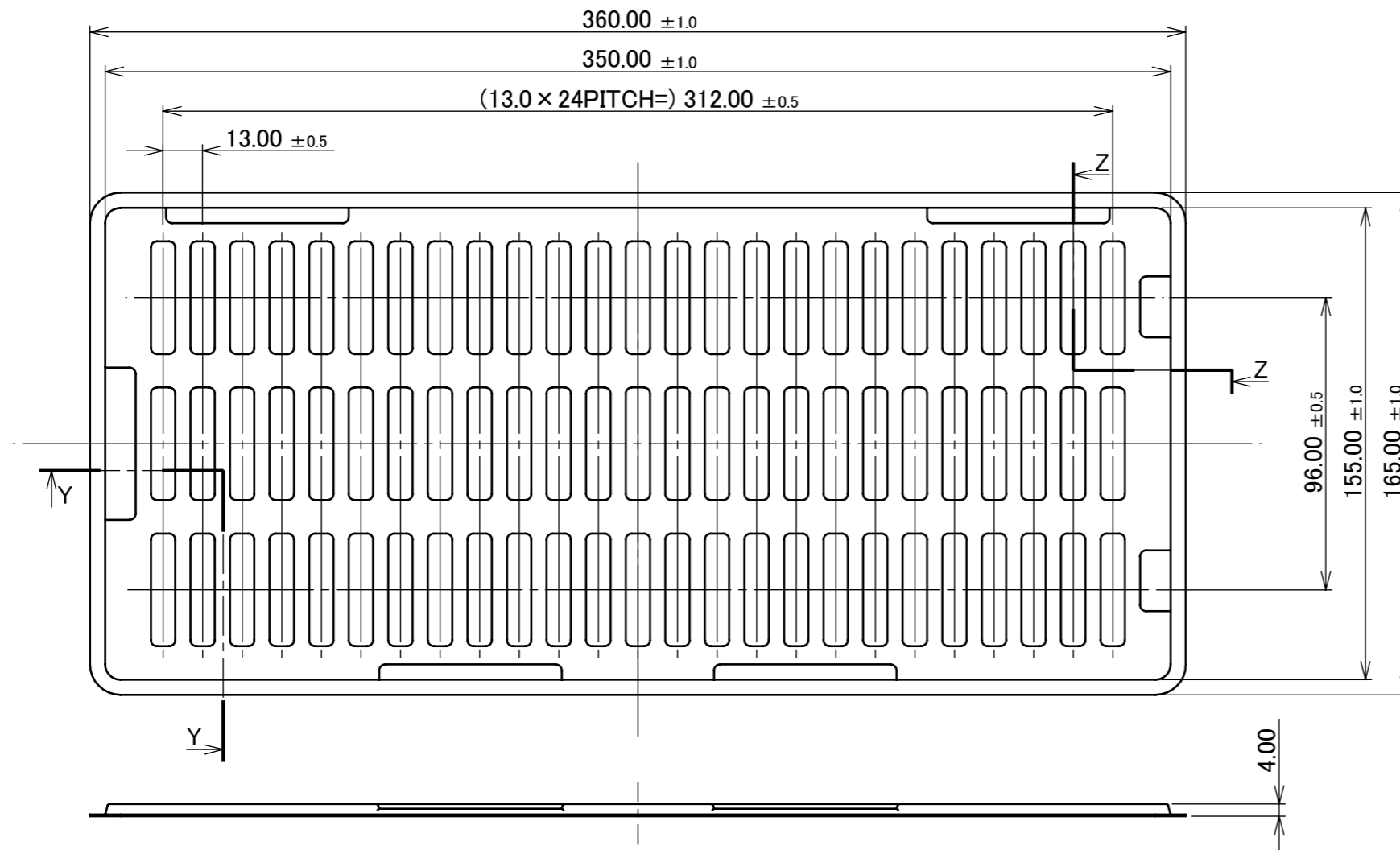


SECT.W-W
(S=2/1)

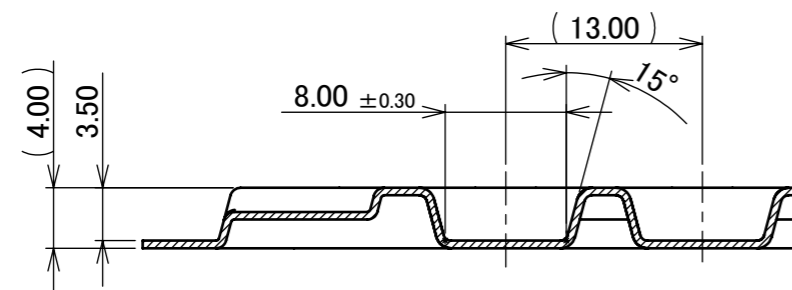
NO.	DESCRIPTION	MATERIAL	FINISH, REMARKS
4	TRAY	PS t=0.5	ANTI-STATIC TYPE

ANGLE	±2°	6 OVER 30 MAX.	±0.3	PROJECTION 	SERIES No. R5	CUSTOMER COPY	
	6 MAX.	±0.2	30 OVER 120 MAX.				
GENERAL TOLERANCE.				TITLE	SCALE		
DWG.	DATE		FPL II CONN. PLUG HOUSING ASS'Y	1:2			
CHK.				UNIT	mm		
APP.			DWG. No.	SIZE	SHEET		
				20438	A3	2/3	11

PART No.	POS.	QTY. PER DITCH (PIECE / DITCH)	QTY. PER TRAY (PIECES / TRAY)	QTY. PER SHIPPING CARTON (TRAYS / SHIPPING CARTON)	QTY. PER PACKING CARTON (PIECES / PACKING CARTON)	PACKING STANDARD
20438-050T-*1	50	1	75 PIECES / TRAY	20 TRAYS / SHIPPING CARTON (1500 PIECES / SHIPPING CARTON)	6000 PIECES / PACKING CARTON (4 SHIPPING CARTONS / PACKING CARTON)	300-584



SECT. Z-Z
(S = 2/1)



SECT. Y-Y
(S = 2/1)

NO.	DISCRIPTION	MATERIAL	FINISH , REMARKS
5	TRAY	PS t=0.5	ANTI-STATIC TYPE

ANGLE	±2°	6 OVER 30 MAX.	±0.3	PROJECTION ⊕	SERIES No. R5	CUSTOMER COPY		
6 MAX.	±0.2	30 OVER 120 MAX.	±0.5			TITLE FPL II CONN. PLUG HOUSING ASS'Y	SCALE 1:2	I-PEX
GENERAL TOLERANCE.				DWG. No.	UNIT mm	SIZE A3	SHEET 3/3	
DWG.	DATE			20438				
CHK.								
APP.								