

**Recommended P/N 20438-0\*\*T-01**

PART No.	POS.	A	B	C	D
20438-030T-*1	30	17.80	16.80	14.50	20.80
20438-040T-*1	40	22.80	21.80	19.50	25.80
20438-050T-*1	50	27.80	26.80	24.50	30.80

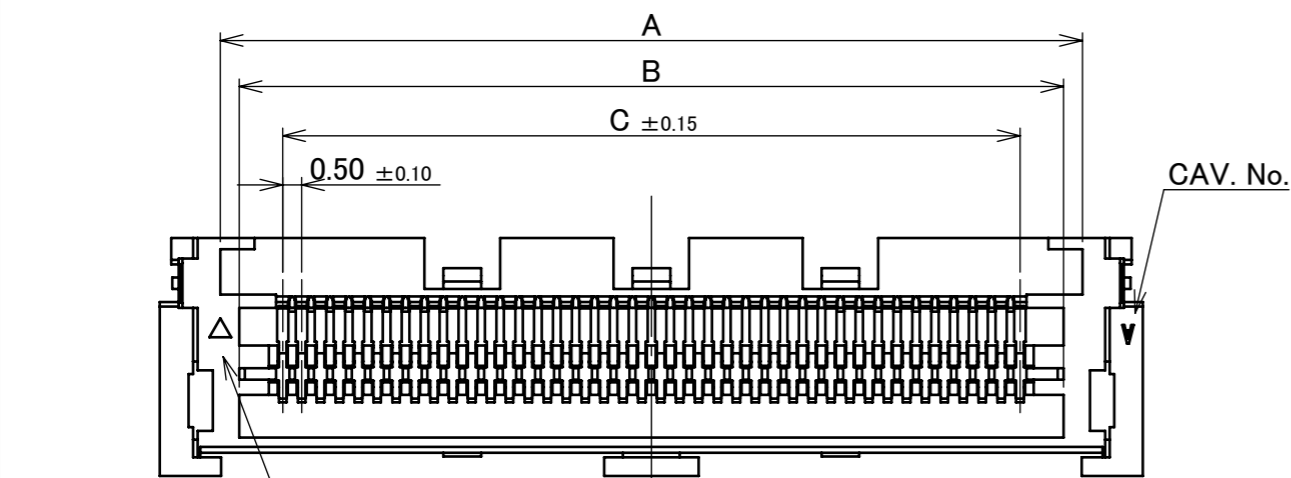
PART NO.	CONTACT FINISH (MATING AREA).
20438-0**T-01	Au 0.10 μm MIN.
20438-0**T-11	Au 0.30 μm MIN.



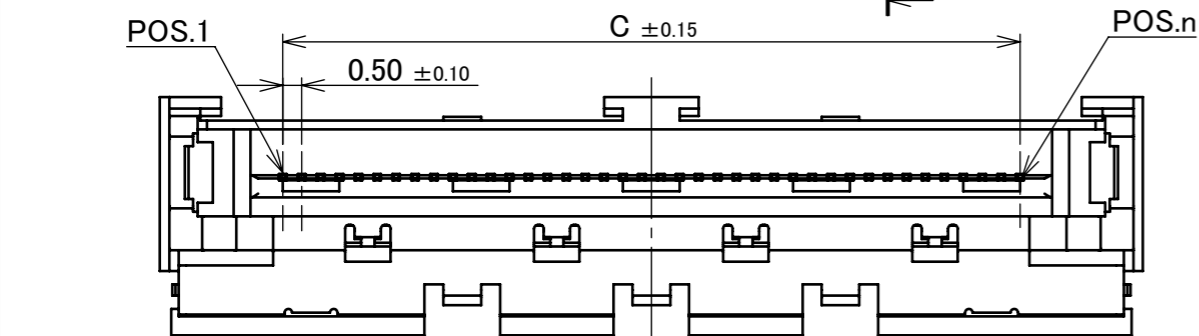
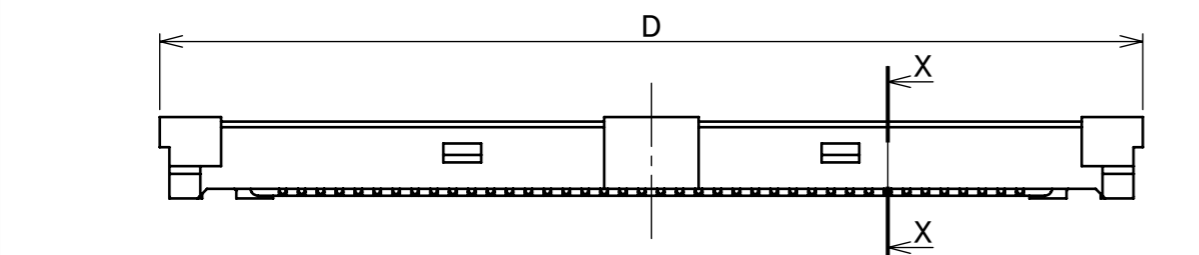
Halogen Free



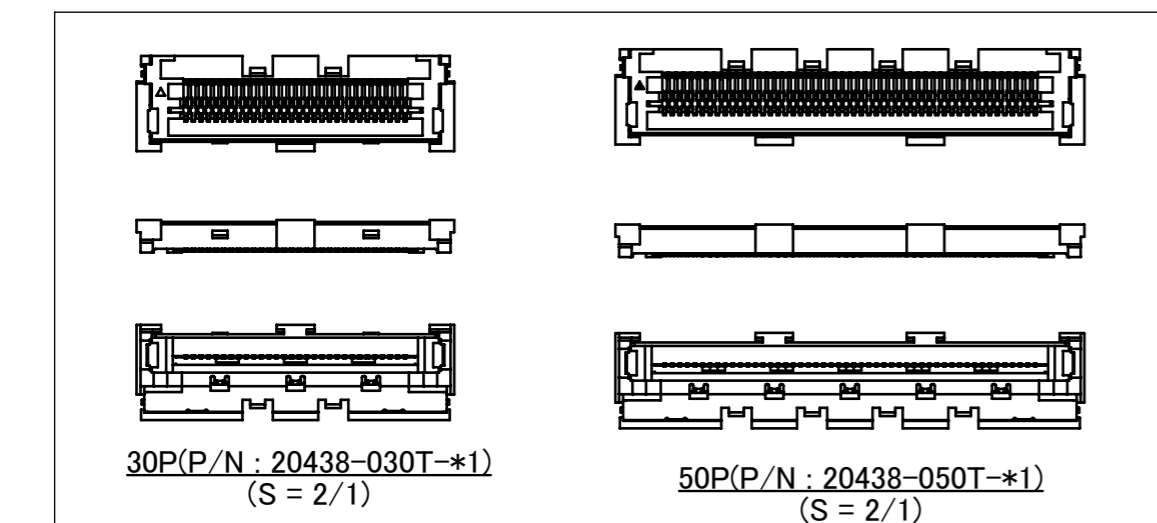
RoHS Compliant



DATUM PIN MARK

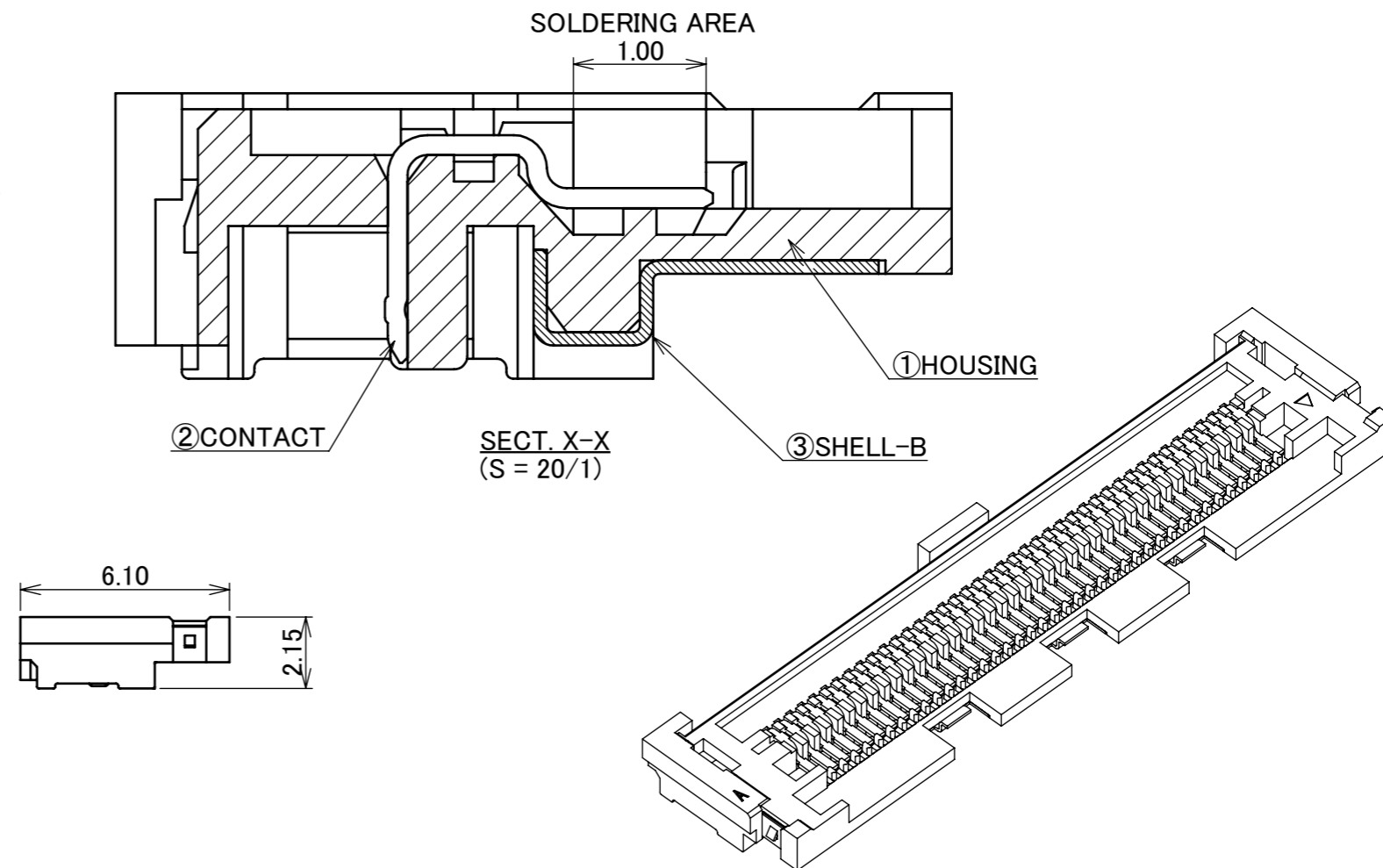


40P(P/N : 20438-040T-\*1)



30P(P/N : 20438-030T-\*1)  
(S = 2/1)

50P(P/N : 20438-050T-\*1)  
(S = 2/1)



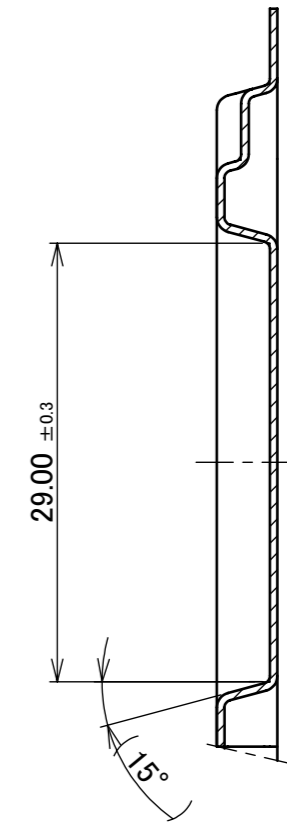
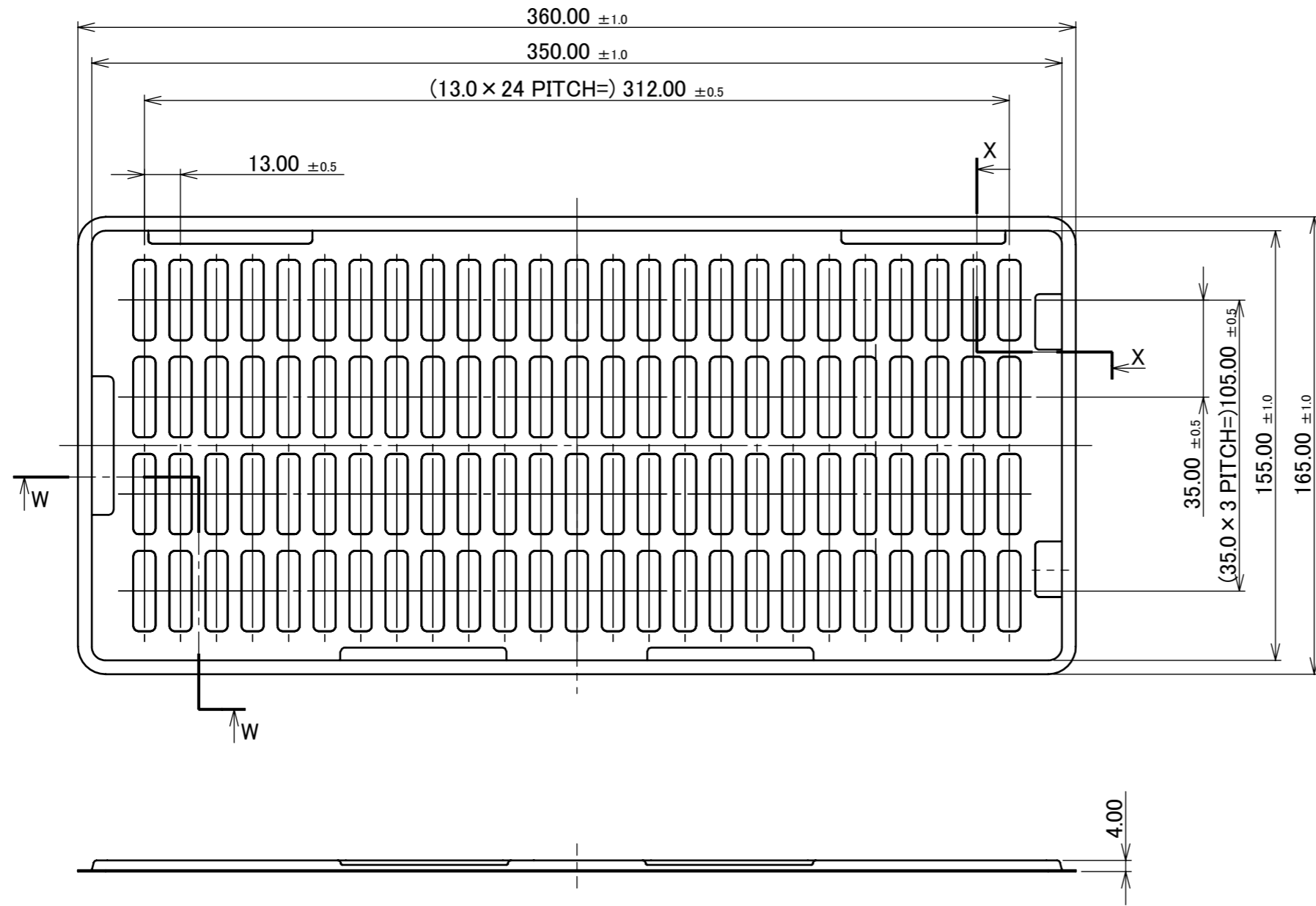
**NOTES**

- THIS PART IS ASSEMBLE WITH SHELL-A(PART NO. 2496-0\*\*) AFTER SOLDERED THE CABLE. AND IT BECOMES PART NO. 20437-0\*\*T-\*1

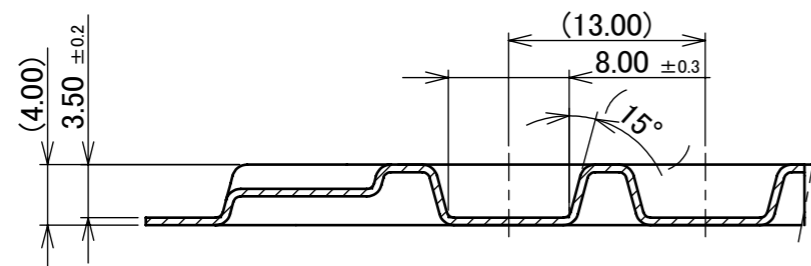
NO.	DISCRIPTION	MATERIAL	FINISH , REMARKS
3	SHELL-B	PHOSPHOR BRONZE	Sn 2.00 μm MIN. OVER Ni 1.00 μm MIN.
2	CONTACT	PHOSPHOR BRONZE	<u>PART NO. 20438-0**T-01</u> MATING AREA : Au 0.10 μm MIN. OVER Ni 1.00 μm MIN. OTHER AREA : Au 0.05 μm MIN. OVER Ni 1.00 μm MIN. <u>PART NO. 20438-0**T-11</u> MATING AREA : Au 0.30 μm MIN. OVER Ni 1.00 μm MIN. OTHER AREA : Au 0.05 μm MIN. OVER Ni 1.00 μm MIN.
1	HOUSING	LCP	UL94V-0, BLACK

REV.	ECN	BY	DATE	APP.	APP.	REVISION RECORD	PROJECTION	SERIES No.	TITLE	SCALE	SHEET	REV.
12	Z220359	T.Ono	Apr./01/'22	H.I	ANGLE	±2°	6 OVER 30 MAX.	±0.3	FPL II CONN. PLUG HOUSING ASS'Y	5:1	mm	12
11	Z211198	T.O	Oct./01/'21	H.I	6 MAX.	±0.2	30 OVER 120 MAX.	±0.5				
10	Z191180	R.M	Sept./09/'19	H.I	GENERAL TOLERANCE.							
9	Z181398	H.A	Oct./26/'18	Y.S	DWG.	K.T	DATE	May/30/'07				
8	Z141380	H.A	Dec./02/'14	E.K	CHK.	Y.H						
7	Z13506	H.A	June/04/'13	E.K	APP.	T.H						
REVISION RECORD							DWG. No.	20438		A3	1/3	

PART No.	POS.	QTY. PER DITCH (PIECE / DITCH)	QTY. PER TRAY (PIECES / TRAY)	QTY. PER SHIPPING CARTON (TRAYS / SHIPPING CARTON)	QTY. PER PACKING CARTON (PIECES / PACKING CARTON)	PACKING STANDARD
20438-030T-*1	30	1	100 PIECES / TRAY	20 TRAYS / SHIPPING CARTON (2000 PIECES / SHIPPING CARTON)	8000 PIECES / PACKING CARTON (4 SHIPPING CARTONS / PACKING CARTON)	300-584
20438-040T-*1	40					



SECT.X-X  
(S=2/1)

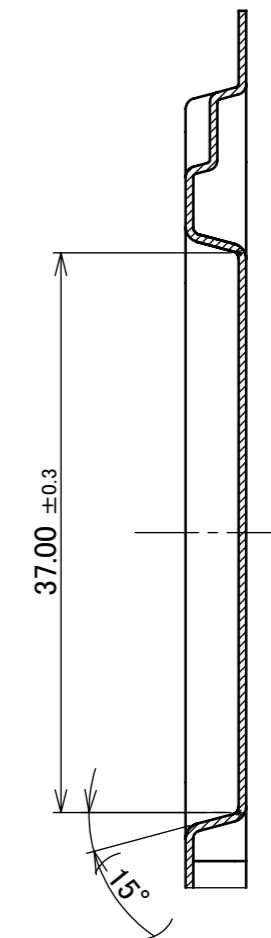
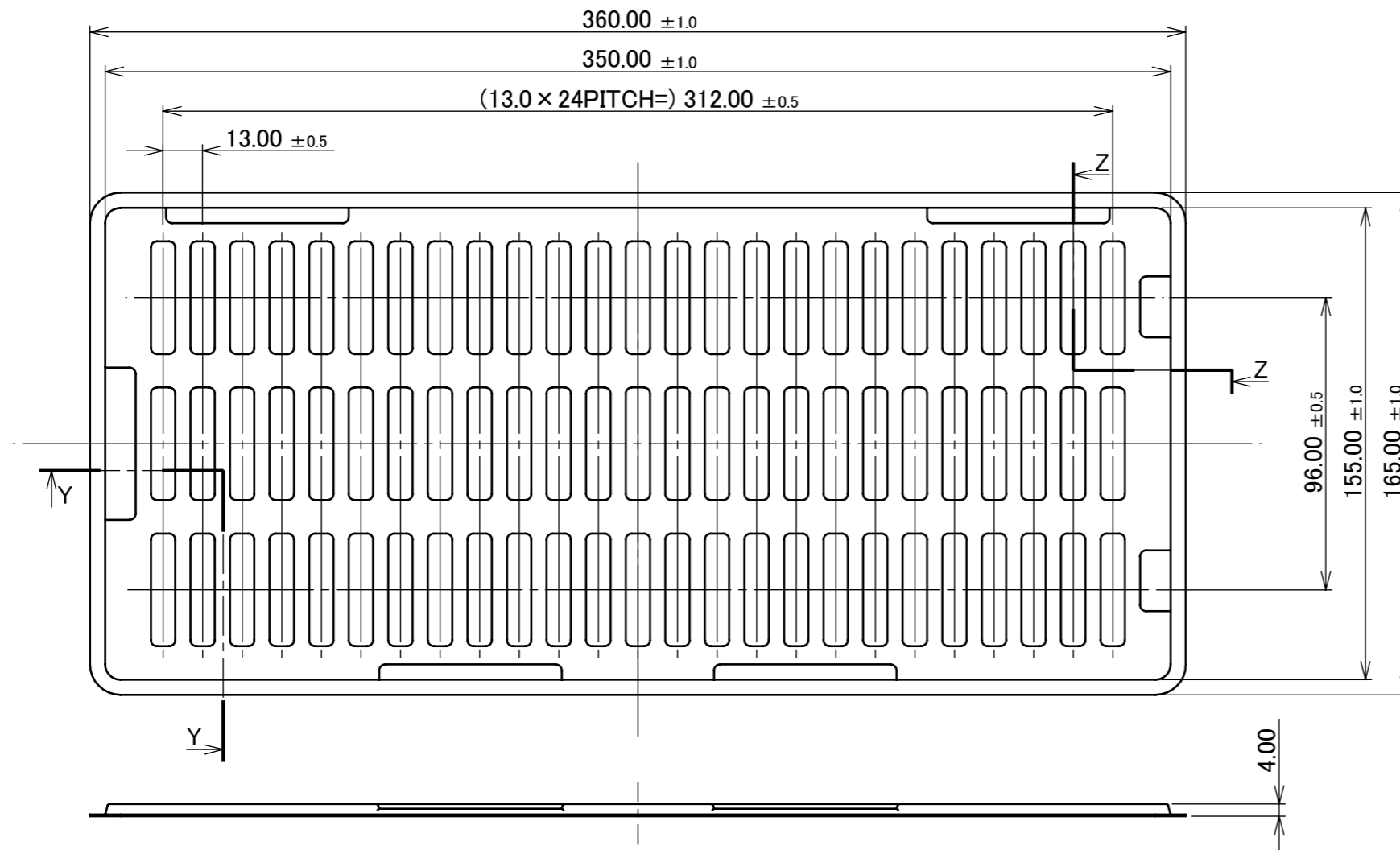


SECT.W-W  
(S=2/1)

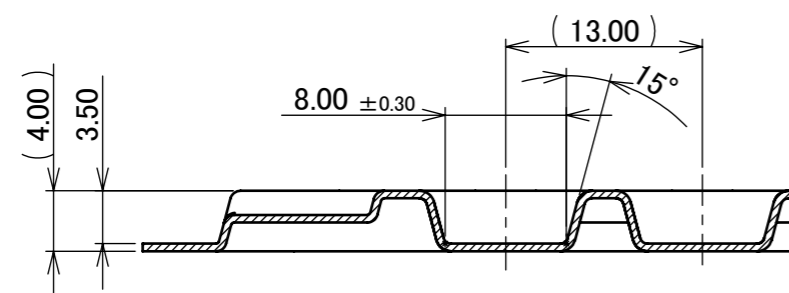
4	TRAY	PS	ANTI-STATIC TYPE
NO.	DISCRIPTION	MATERIAL	FINISH , REMARKS

ANGLE	±2°	6 OVER 30 MAX.	±0.3	PROJECTION ⊕	SERIES No. R5	CUSTOMER COPY	
6 MAX.	±0.2	30 OVER 120 MAX.	±0.5				
GENERAL TOLERANCE.				TITLE		SCALE	<b>I-PEX</b>
DWG.	DATE		FPL II CONN. PLUG HOUSING ASS'Y		1:2		
CHK.					UNIT		
APP.			DWG. No. 20438		mm		
					SIZE	SHEET	REV.
					A3	2/3	12

PART No.	POS.	QTY. PER DITCH (PIECE / DITCH)	QTY. PER TRAY (PIECES / TRAY)	QTY. PER SHIPPING CARTON (TRAYS / SHIPPING CARTON)	QTY. PER PACKING CARTON (PIECES / PACKING CARTON)	PACKING STANDARD
20438-050T-*1	50	1	75 PIECES / TRAY	20 TRAYS / SHIPPING CARTON (1500 PIECES / SHIPPING CARTON)	6000 PIECES / PACKING CARTON (4 SHIPPING CARTONS / PACKING CARTON)	300-584



SECT. Z-Z  
(S = 2/1)



SECT. Y-Y  
(S = 2/1)

5	TRAY	PS	ANTI-STATIC TYPE
NO.	DISCRIPTION	MATERIAL	FINISH , REMARKS

ANGLE	±2°	6 OVER 30 MAX.	±0.3	PROJECTION ⊕	SERIES No. R5	CUSTOMER COPY
6 MAX.	±0.2	30 OVER 120 MAX.	±0.5			
GENERAL TOLERANCE.				TITLE FPL II CONN. PLUG HOUSING ASS'Y	SCALE 1:2	UNIT mm
DWG.	DATE					
CHK.						
APP.						
DWG. No. 20438				SIZE A3	SHEET 3/3	REV. 12