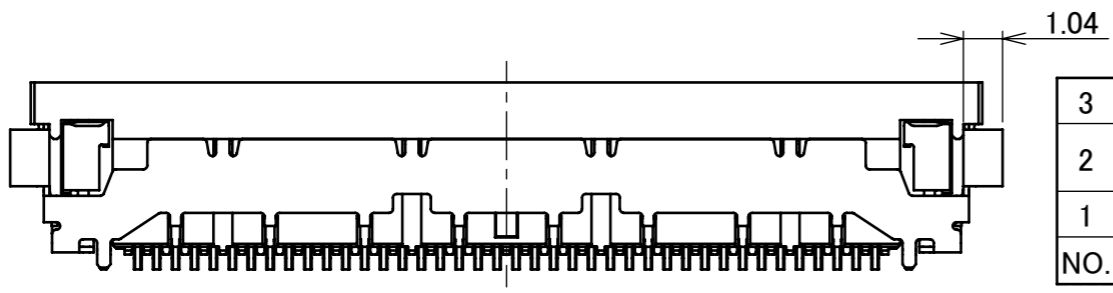
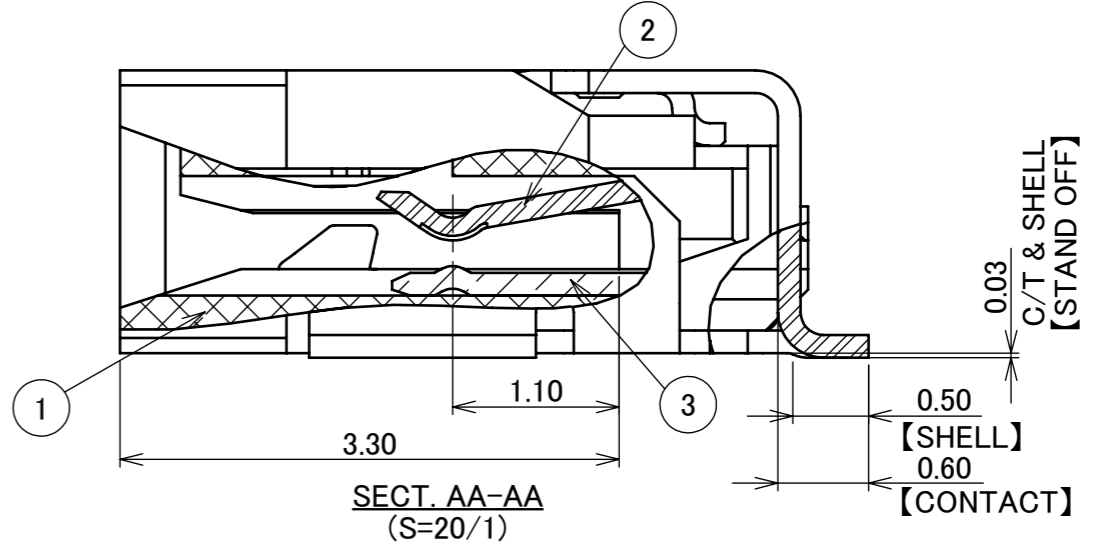
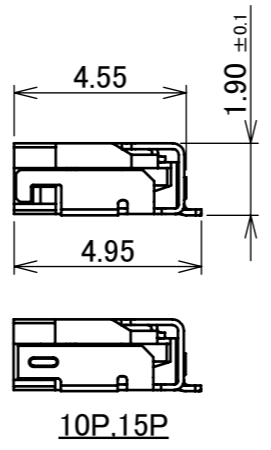
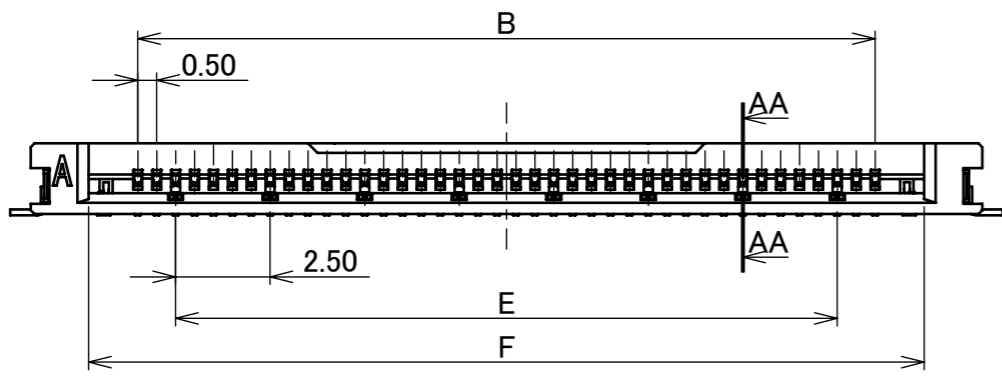
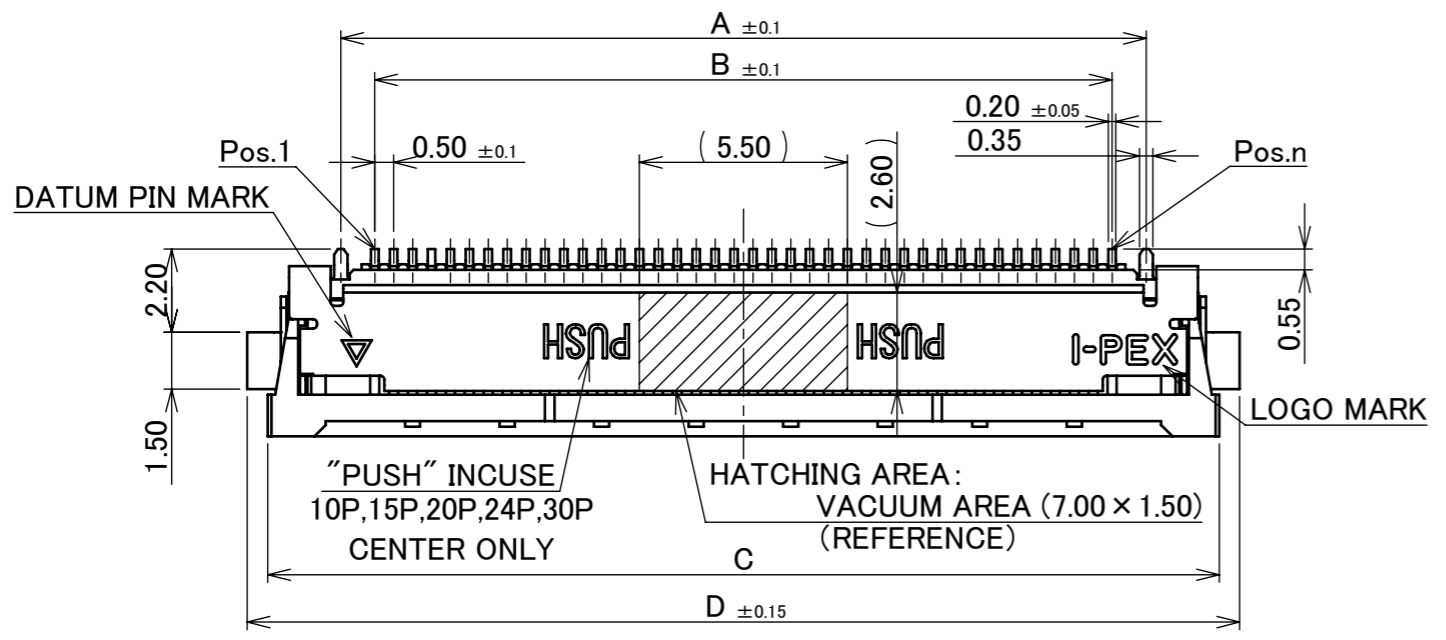
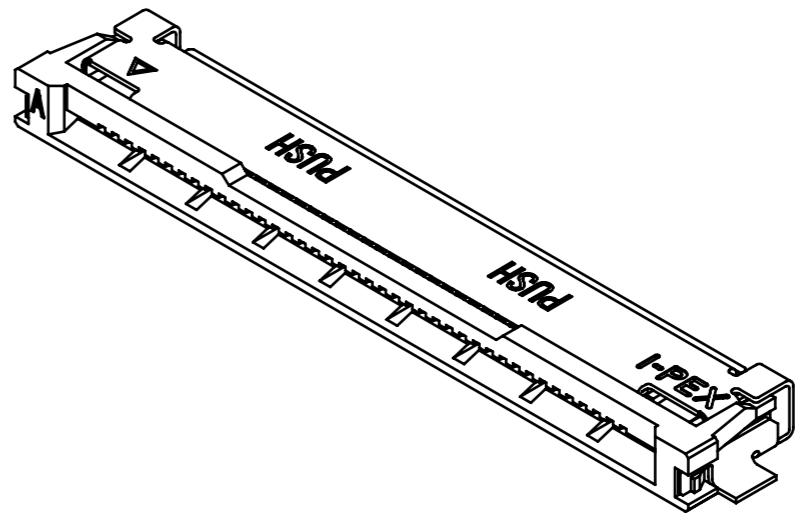


Recommened P/N		20720-0**E-02					
PART NO.	POS.	A	B	C	D	E	F
20720-010E-02	10P	6.30	4.50	10.17	11.25	2.50	7.10
20720-015E-02	15P	8.80	7.00	12.67	13.75	5.00	9.60
20720-020E-02	20P	11.30	9.50	15.17	16.25	7.50	12.10
20720-024E-02	24P	13.30	11.50	17.17	18.25	7.50	14.10
20720-030E-02	30P	16.30	14.50	20.17	21.25	12.50	17.10
20720-040E-02	40P	21.30	19.50	25.17	26.25	17.50	22.10



NO.	DISCRIPTION	MATERIAL	FINISH , REMARKS
3	SHELL	PHOSPHOR BRONZE	Sn OVER Ni PLATING
2	CONTACT	CORSON ALLOY	Au OVER Ni PLATING CONTACT AREA: Au 0.03 μm MIN. OVER Ni 1.00 μm MIN.
1	HOUSING	LCP	UL94V-0, BLACK

REV.	ECN	BY	DATE	APP.	ANGLE	PROJECTION	SERIES No.	CUSTOMER COPY
4	Z180880	T.T	July/05/'18	Y.S	±2° 6 OVER 30 MAX. ±0.3		R1	CUSTOMER COPY
3	Z170513	T.T	May/02/'17	Y.S	6 MAX. ±0.2 30 OVER 120 MAX. ±0.5			
2	Z160913	K.H	Jul./29/'16	J.T	GENERAL TOLERANCE.		TITLE EVAFLEX® 5-VS TYPE CH	SCALE
1	Z160372	T.T	Apr./07/'16	J.T	DWG. T.Tanigawa DATE Nov./25/'15			5:1
0	Z151332	T.T	Nov./25/'15	J.T	CHK. T.Kurachi DATE Nov./27/'15			UNIT
REV.	ECN	BY	DATE	APP.	APP. J.Tateishi DATE Nov./27/'15	DWG. No.	20720	mm
REVISION RECORD								SIZE
								A3
								SHEET 1/5
								REV. 4

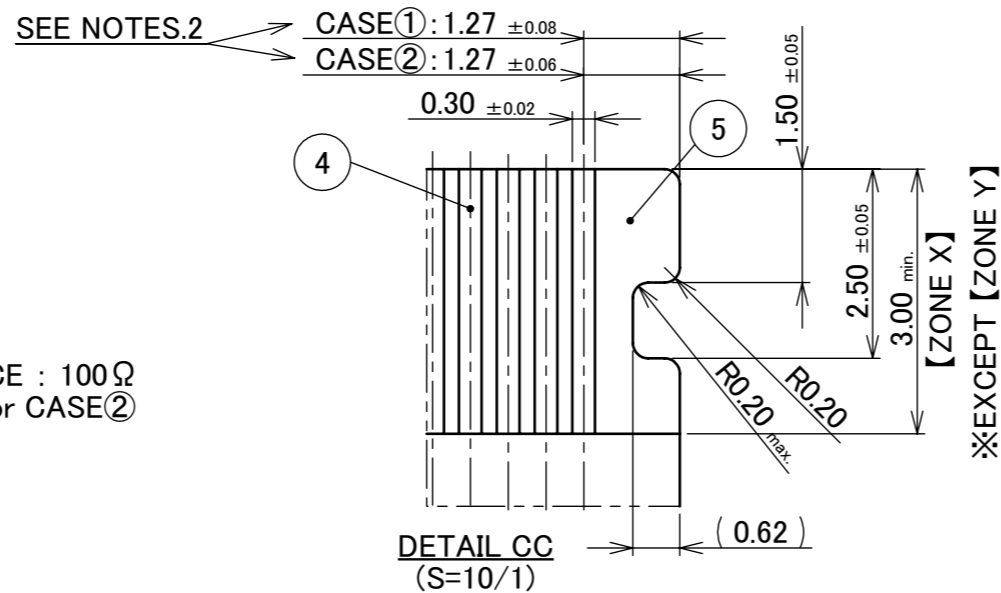
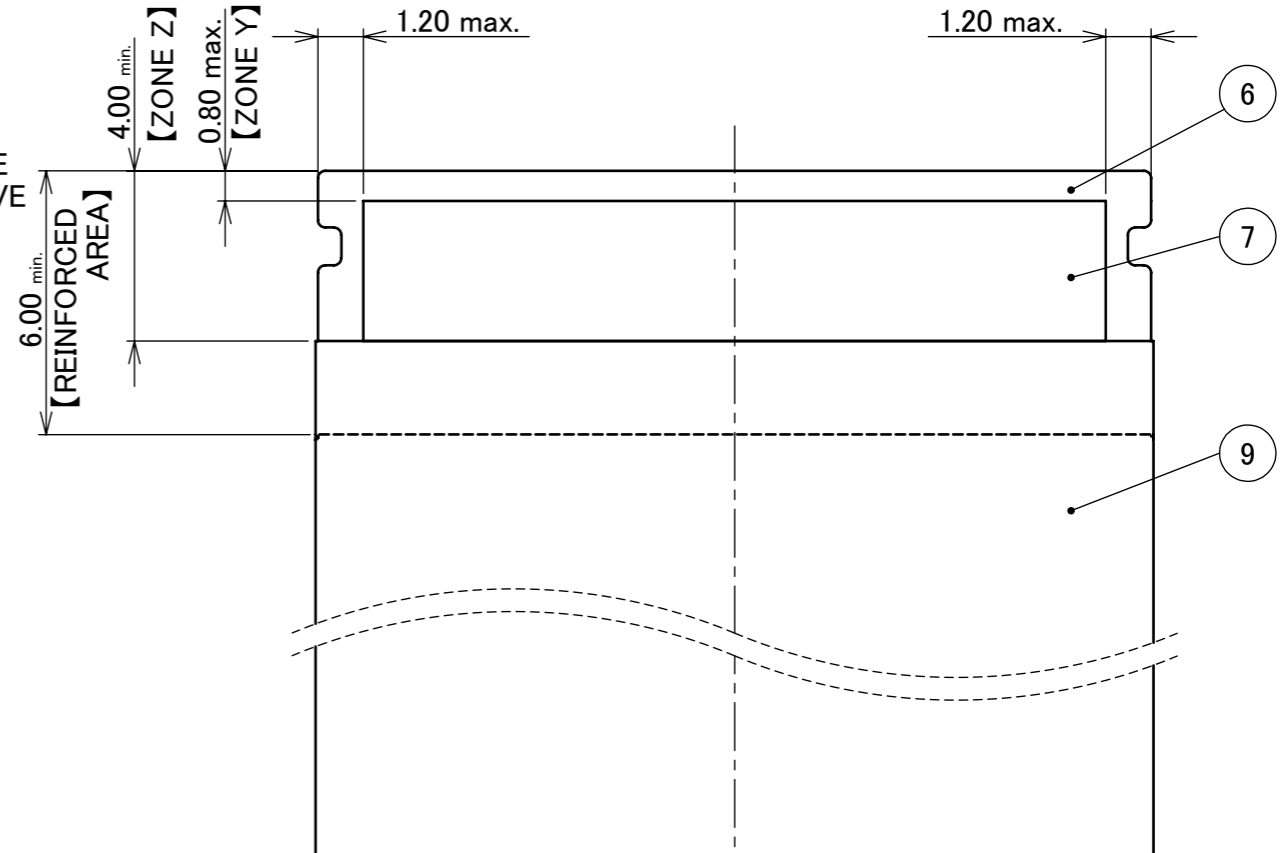
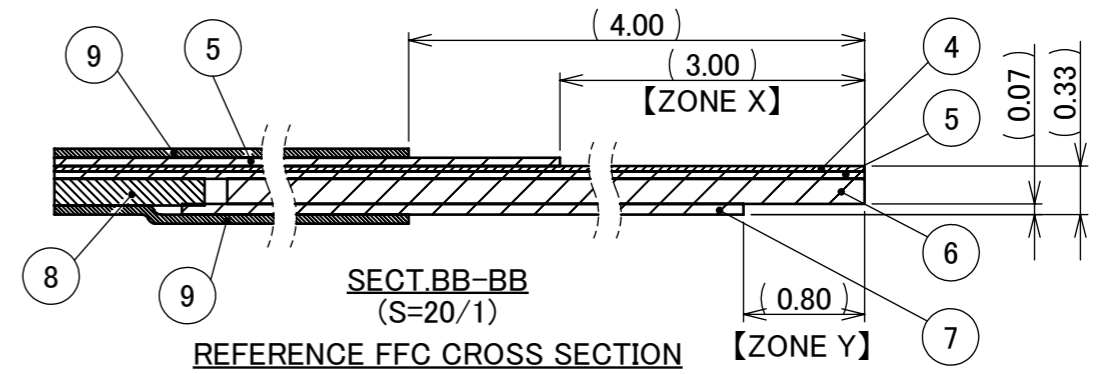
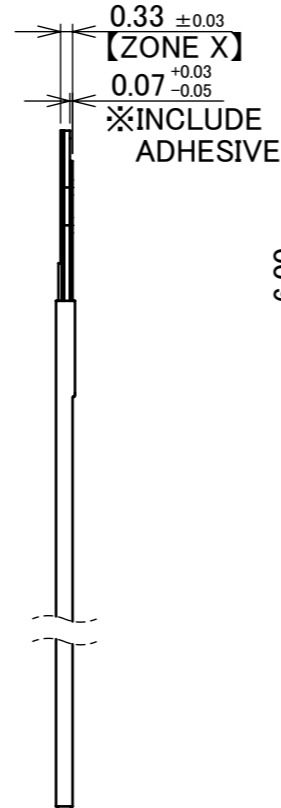
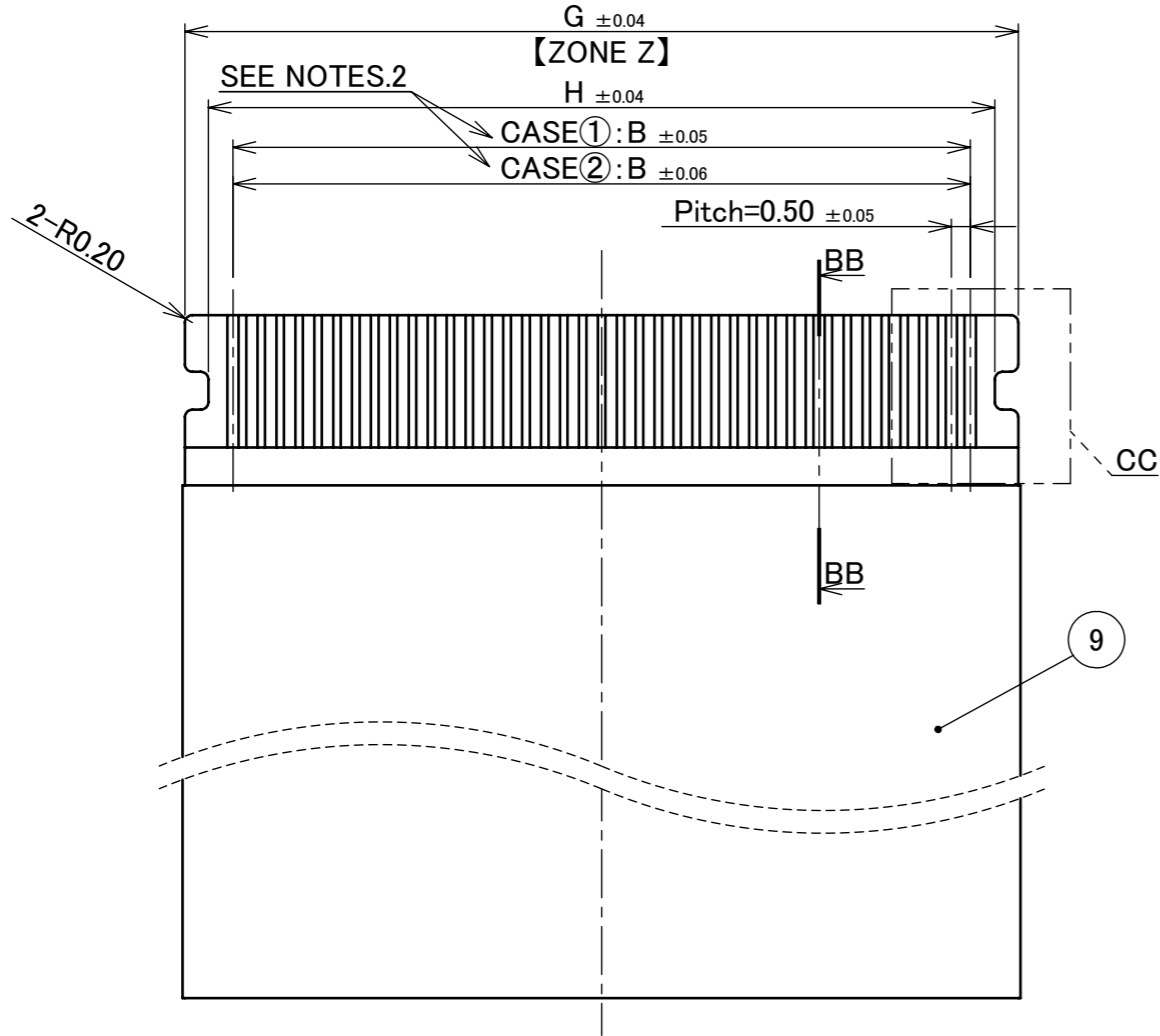
ITEMS	SPECIFICATION
RATING VOLTAGE	200V AC/DC
RATING AMPERAGE (FOR CONTACT)	0.3A AC/DC / Pin IN CASE OF APPLYING 0.5A/Pin, THE TOTAL CURRENT OF THE WHOLE CONNECTOR SHALL BE 15.0A OR LOWER.
OPERATING TEMPERATURE	233~378K(-40°C~+105°C)
OPERATING HUMIDITY	85% MAX.(NON-CONDENSING)
CONTACT RESISTANCE (FOR SIGNAL CONTACT)	INITIAL : 60mohm MAX. / AFTER TEST : $\triangle$ 40mohm MAX.
INSULATION RESISTANCE	INITIAL : 100Mohm MIN. / AFTER TEST : 100Mohm MIN.
DIELECTRIC WITHSTANDING VOLTAGE	AC250V 1min
DURABILITY	30 CYCLES
MATING FORCE (INITIAL / AFTER TEST)	10P : 6.0N MAX. 15P : 9.0N MAX. 20P : 12.0N MAX. 24P : 14.4N MAX. 30P : 18.0N MAX. 40P : 24.0N MAX.
UNMATING FORCE (INITIAL / AFTER TEST)	10P : 1.0N MIN. 15P : 1.5N MIN. 20P : 2.0N MIN. 24P : 2.4N MIN. 30P : 3.0N MIN. 40P : 4.0N MIN.
COPLANARITY	0.10 MAX.
PRODUCT SPECIFICATION	PRS-2224
TEST REPORT	TR-16039
PACKING STANDARD	300-997
INSTRUCTION MANUAL	HIM-12003

ANGLE	$\pm 2^\circ$	6 OVER 30 MAX.	$\pm 0.3$	PROJECTION 	SERIES No. R1	CUSTOMER COPY
6 MAX.	$\pm 0.2$	30 OVER 120 MAX.	$\pm 0.5$			
GENERAL TOLERANCE.				TITLE EVAFLEX <sup>®</sup> 5-VS TYPE CH	SCALE 5:1 UNIT mm	I-PEX
DWG.	DATE					
CHK.	DATE					
APP.	DATE					
				DWG. No.	20720	SIZE A3
				SHEET	2/5	REV. 4

Recommended P/N 20720-0\*\*E-02

FOR	POS.	B	G	H
20720-010E-02	10P	4.50	7.04	5.80
20720-015E-02	15P	7.00	9.54	8.30
20720-020E-02	20P	9.50	12.04	10.80
20720-024E-02	24P	11.50	14.04	12.80
20720-030E-02	30P	14.50	17.04	15.80
20720-040E-02	40P	19.50	22.04	20.80

### RECOMMENDED FFC DIMENSION



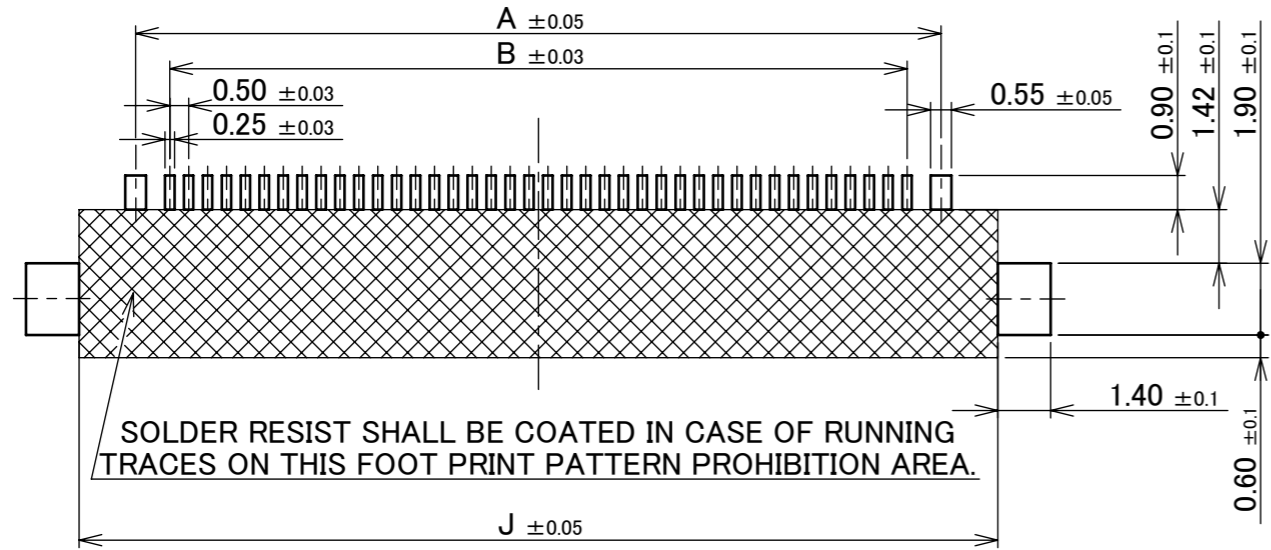
NOTES  
 1. DIFFERENTIAL IMPEDANCE : 100 Ω  
 2. MANUFACTURE CASE ① or CASE ②

NO.	DISCRIPTION	MATERIAL	FINISH, REMARKS
9	SHIELD TAPE	METALIC FILM	-
8	INTERLAYER	ARBITRARY	-
7	GROUND PLATE	METARIC FILM	POLISH or HALF POLISH Sn PLATING
6	REINFORCED TAPE	ARBITRARY	-
5	INSULATION FILM	ARBITRARY	-
4	CONDUCTOR	COPPER ALLOY	CONTACT AREA: Au 0.05 μm MIN. OVER Ni 0.5 μm MIN.

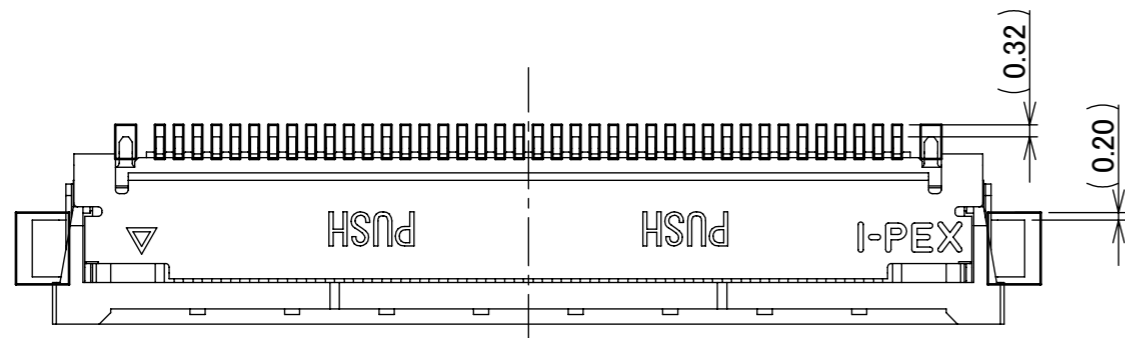
ANGLE	±2°	6 OVER 30 MAX.	±0.3	PROJECTION ⊕	SERIES No. R1	CUSTOMER COPY
	6 MAX.	±0.2	30 OVER 120 MAX.			
GENERAL TOLERANCE.				TITLE		SCALE
DWG.	DATE	EVAFLEX® 5-VS		R1		5:1
CHK.	DATE	TYPE CH				UNIT
APP.	DATE	DWG. No.		20720		mm
						SIZE
						A3
						SHEET
						3/5
						REV.
						4

Recommended P/N 20720-0\*\*E-02

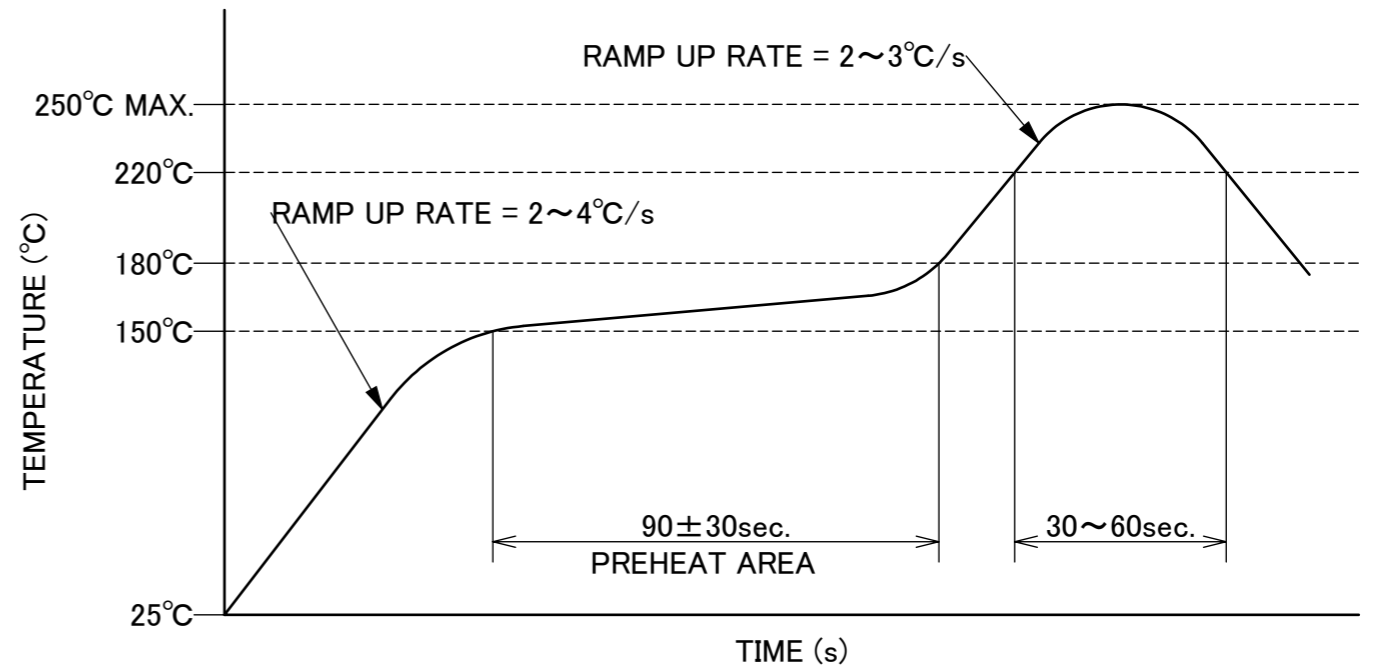
PART NO.	POS.	A	B	J
20720-010E-02	10P	6.30	4.50	9.30
20720-015E-02	15P	8.80	7.00	11.80
20720-020E-02	20P	11.30	9.50	14.30
20720-024E-02	24P	13.30	11.50	16.30
20720-030E-02	30P	16.30	14.50	19.30
20720-040E-02	40P	21.30	19.50	24.30



RECOMMENDED PCB & METALMASK LAYOUT  
METALMASK THICKNESS: t=0.12



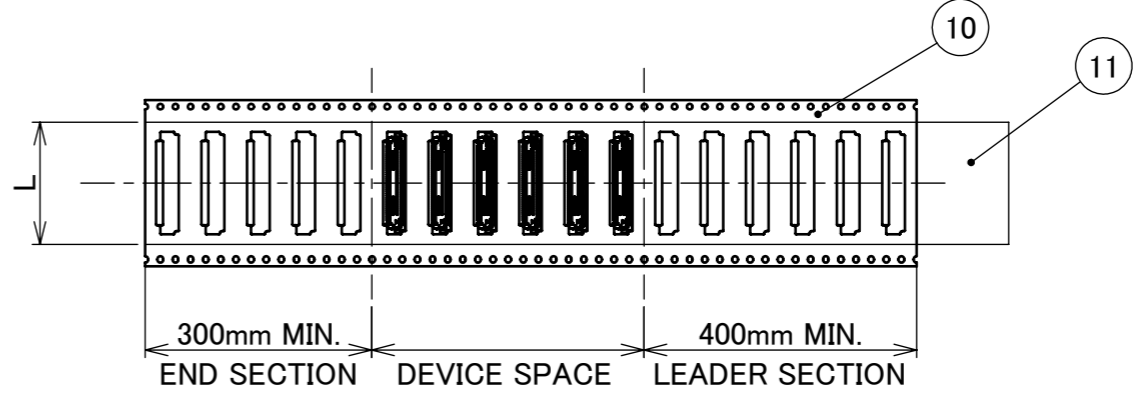
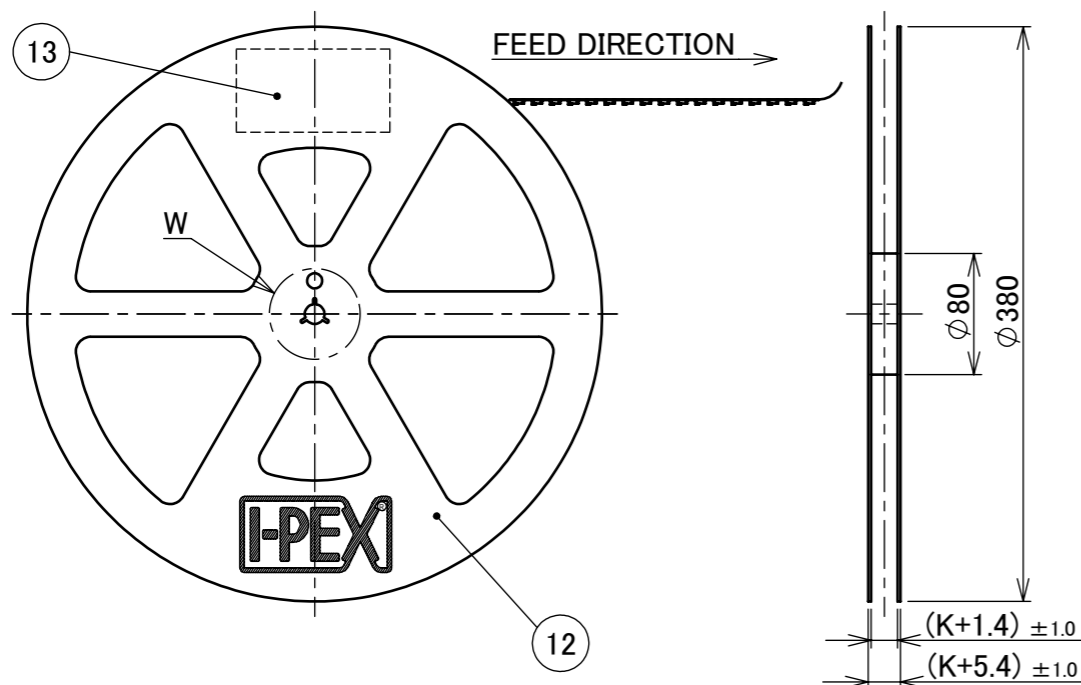
CONNECTOR ON RECOMMENDED FOOTPRINT PATTERN



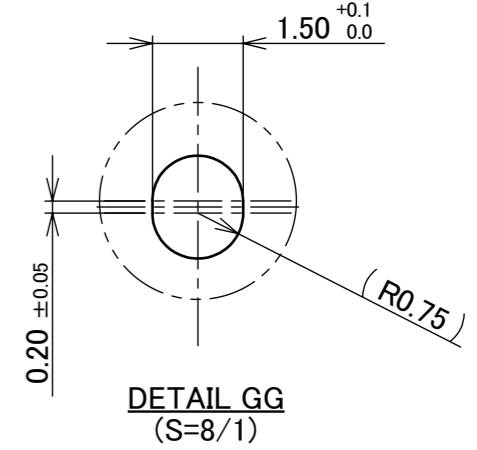
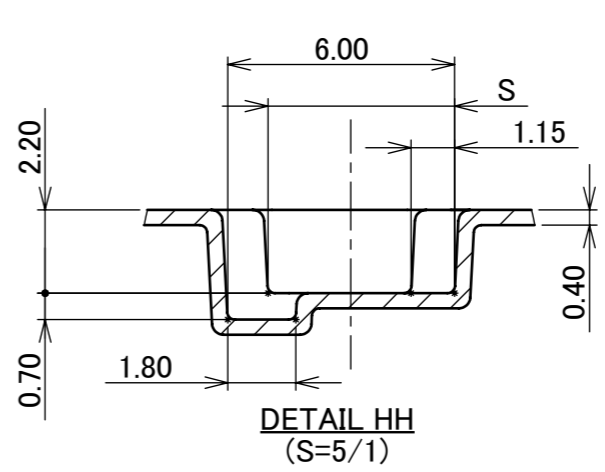
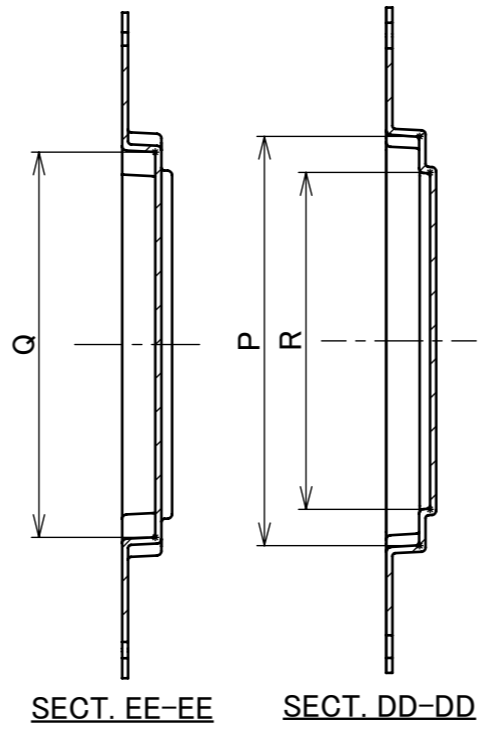
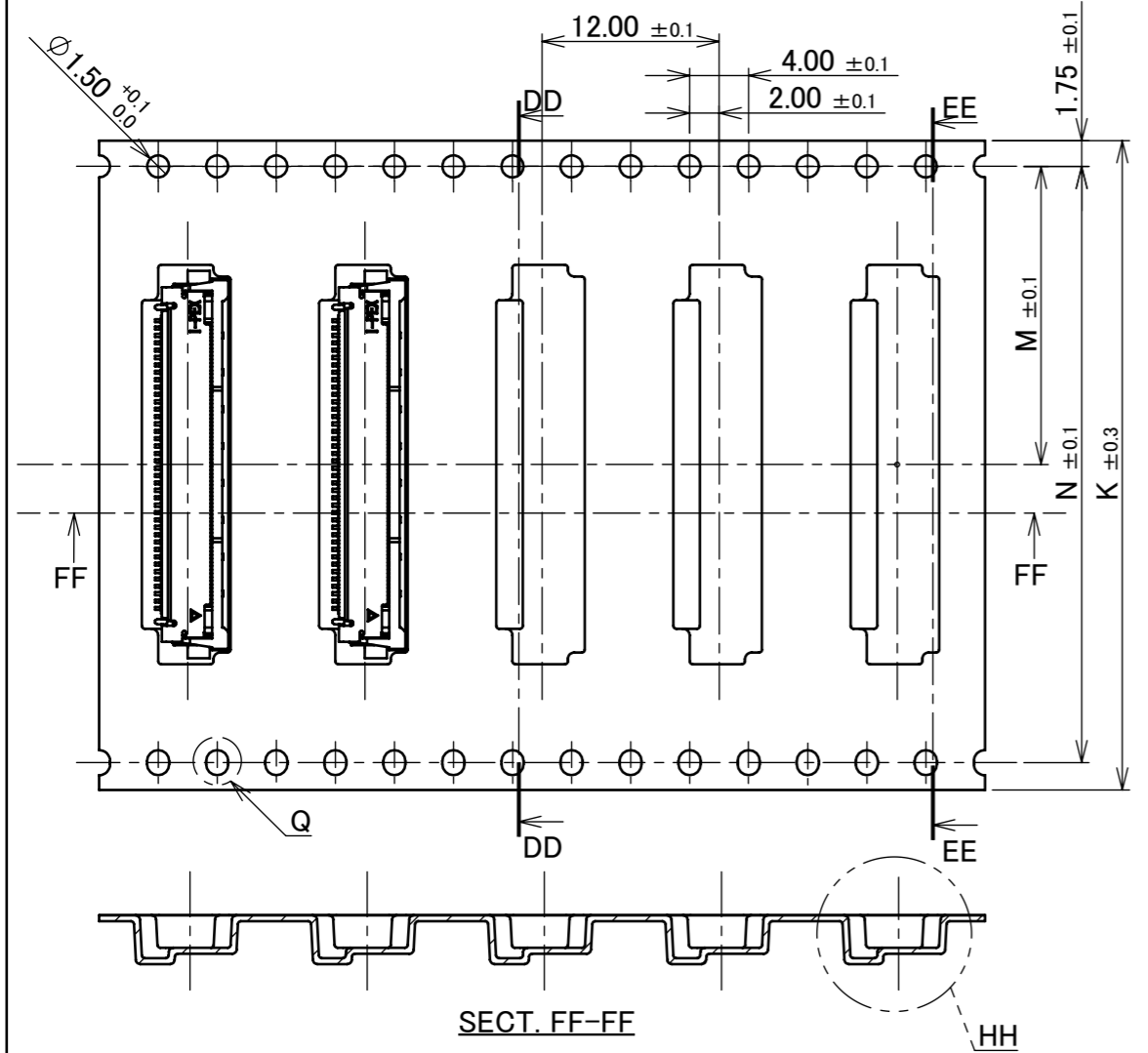
REFLOW TEMPERATURE PROFILE  
SENJU METAL INDUSTRY CO., LTD. : M705-SHF(Sn96.5 Ag3.0 Cu0.5)

ANGLE	±2°	6 OVER 30 MAX.	±0.3	PROJECTION ⊕	SERIES No. R1	CUSTOMER COPY
	6 MAX.	±0.2	30 OVER 120 MAX.			
GENERAL TOLERANCE.				TITLE EVAFLEX® 5-VS TYPE CH	SCALE 5:1	UNIT mm
DWG.	DATE					
CHK.	DATE					
APP.	DATE					
				DWG. No.	20720	SIZE A3
				SHEET 4/5		REV. 4

PART NO.	K	L	M	N	P	Q	R	S	QTY. PER EMBOSS REEL (PIECES / REEL)	QTY. PER PACKING CARTON (REELS / CARTON)
20720-010E-02	24.00	17.30	11.50	-	12.05	10.42	7.35	4.74	2300 PIECES / REEL	5REELS / CARTON = 11500 PIECES / CARTON
20720-015E-02		19.30			14.55	12.92	9.85			
20720-020E-02		20.30			17.05	15.47	12.25			
20720-024E-02	32.00	25.50	14.20	28.40	19.05	17.47	14.25			
20720-030E-02					22.05	20.47	17.25			
20720-040E-02	44.00	32.30	20.20	40.40	27.05	25.47	22.25	4.94	3REELS / CARTON = 6900 PIECES / CARTON	



- NOTES.
1. TAPING SPECIFICATION FOLLOWS JIS C 0806 (IEC 60286-3).
  2. MAKE EMPTY SECTION OF LEADER AND END ON EACH END OF THE TAPE.
  3. TOP TAPE SHALL NOT STICK OUT FROM EMBOSS TAPE.
  4. TOP TAPE SHALL NOT COVER FEED HOLE.



NO.	DISCRIPTION	MATERIAL	FINISH , REMARKS
13	PACKING LABEL	-	-
12	REEL	PS	BLACK
11	TOP TAPE	PET t=0.061 TRANSPARENCY	ANTI-STATIC TYPE
10	EMBOSS TAPE	PS t=0.40 TRANSPARENCY	ANTI-STATIC TYPE

ANGLE	±2°	6 OVER 30 MAX.	±0.3	PROJECTION	SERIES No. R1	CUSTOMER COPY
	6 MAX.	±0.2	30 OVER 120 MAX.			
GENERAL TOLERANCE.				TITLE EVAFLEX® 5-VS TYPE CH	DWG. No. 20720	SCALE
DWG.	DATE					2:1
CHK.	DATE					UNIT
APP.	DATE					mm
						SIZE
						A3
						SHEET
						5/5
						REV.
						4

Confidential C

I-PEX Inc.

QKE-DFE06-02 REV.11