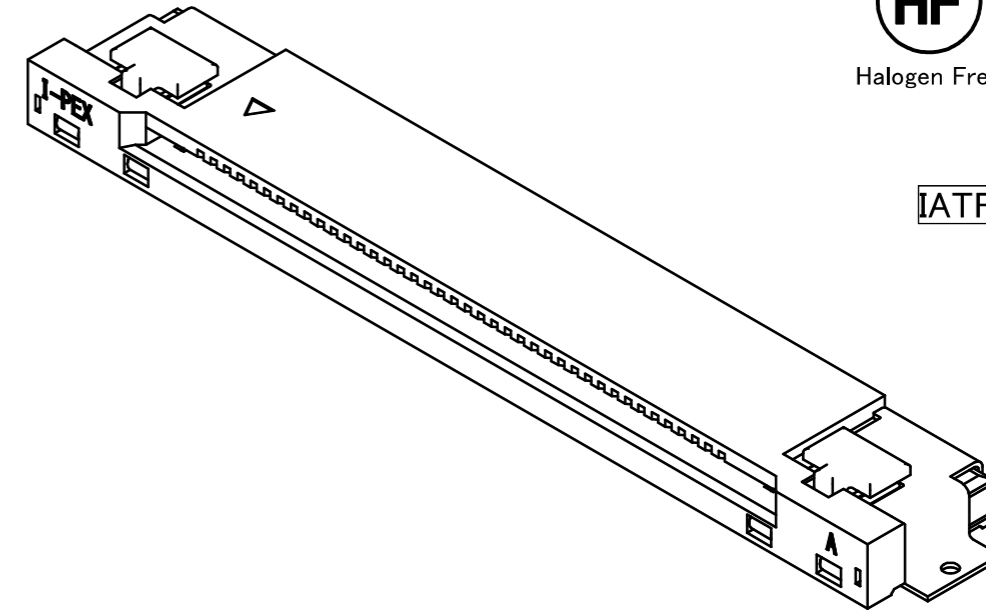


Recommended P/N 20526-0\*\*E-01

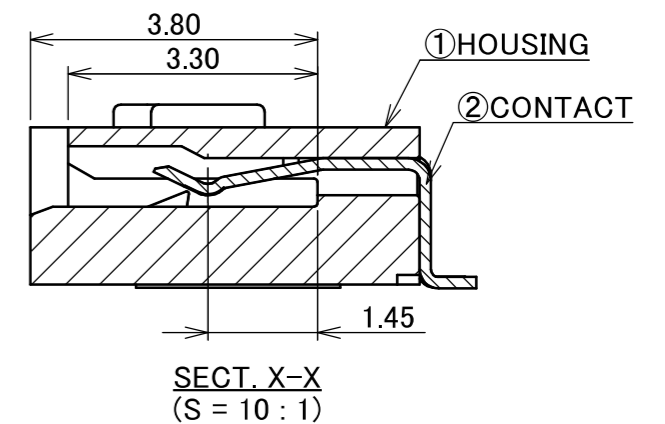
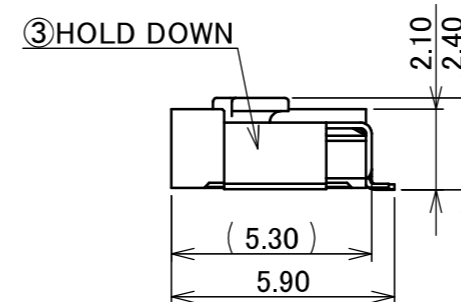
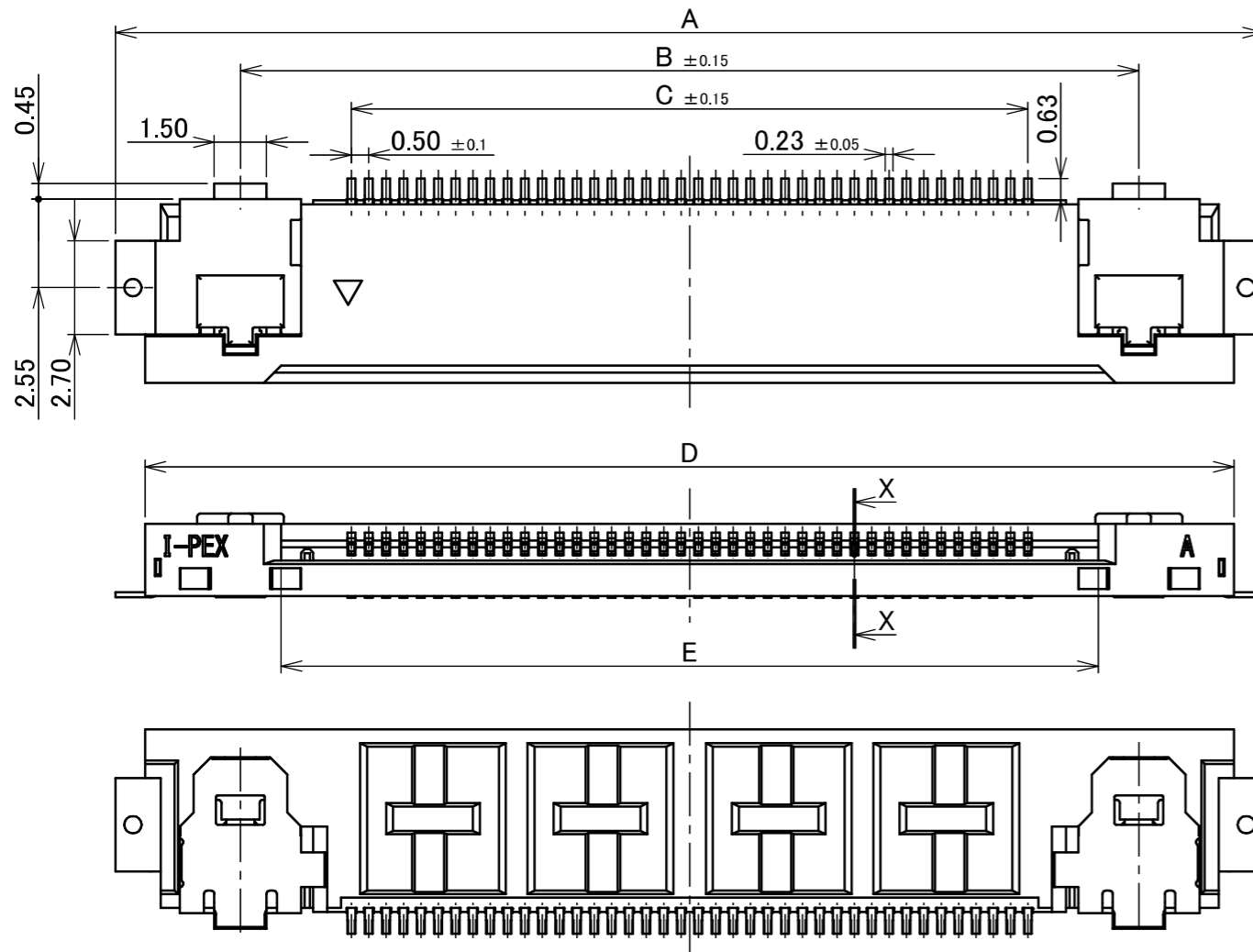
PART NO.	Pos.	A	B	C	D	E
20526-010E-01	10	18.10	10.90	4.50	16.40	8.56
20526-015E-01	15	20.60	13.40	7.00	18.90	11.06
20526-022E-01	22	24.10	16.90	10.50	22.40	14.56
20526-030E-01	30	28.10	20.90	14.50	26.40	18.56
20526-040E-01	40	33.10	25.90	19.50	31.40	23.56
20526-045E-01	45	35.60	28.40	22.00	33.90	26.06
20526-050E-01	50	38.10	30.90	24.50	36.40	28.56
◆20526-055E-01	55	40.60	33.40	27.00	38.90	31.06
20526-060E-01	60	43.10	35.90	29.50	41.40	33.56



IATF 16949 Certified



◆MARK MEANS NOT AVAILABLE



3	HOLD DOWN	PHOSPHOR BRONZE	SOLDERING AREA : Sn 2.00 μ m MIN. OVER Ni 1.00 μ m MIN.
2	CONTACT	PHOSPHOR BRONZE	CONTACT AREA : Au 0.10 μ m MIN. OVER Ni 1.00 μ m MIN. SOLDERING AREA : Au 0.03 μ m MIN. OVER Ni 1.00 μ m MIN.
1	HOUSING	LCP	UL94V-0 BLACK
NO.	DISCRIPTION	MATERIAL	FINISH , REMARKS

15	ZC00267	Mino	Nov./19/'25	T.M	ANGLE	±2°	6 OVER 30 MAX.	±0.3	PROJECTION SERIES No. R5	CUSTOMER COPY		
14	Z240235	Mino	Feb./26/'24	T.M	6 MAX.	±0.2	30 OVER 120 MAX.	±0.5				
13	Z230321	Y.I	Mar./20/'23	M.T	GENERAL TOLERANCE.				TITLE EVAFLEX® 5-SE SCALE 5:1 UNIT mm	I-PEX		
12	Z220207	K.H	Feb./28/'22	H.I	DWG.	DATE		2011/11/02				
11	Z211372	K.H	Nov./09/'21	H.I	H.Hara		Y.Hashimoto					
10	Z201249	M.M	Dce./03/'20	Y.S	CHK.	Y.Hashimoto						
REV.	ECN	BY	DATE	APP.	APP.	T.Harada		DWG. No.	20526	SIZE A3	SHEET 1/6	REV. 15

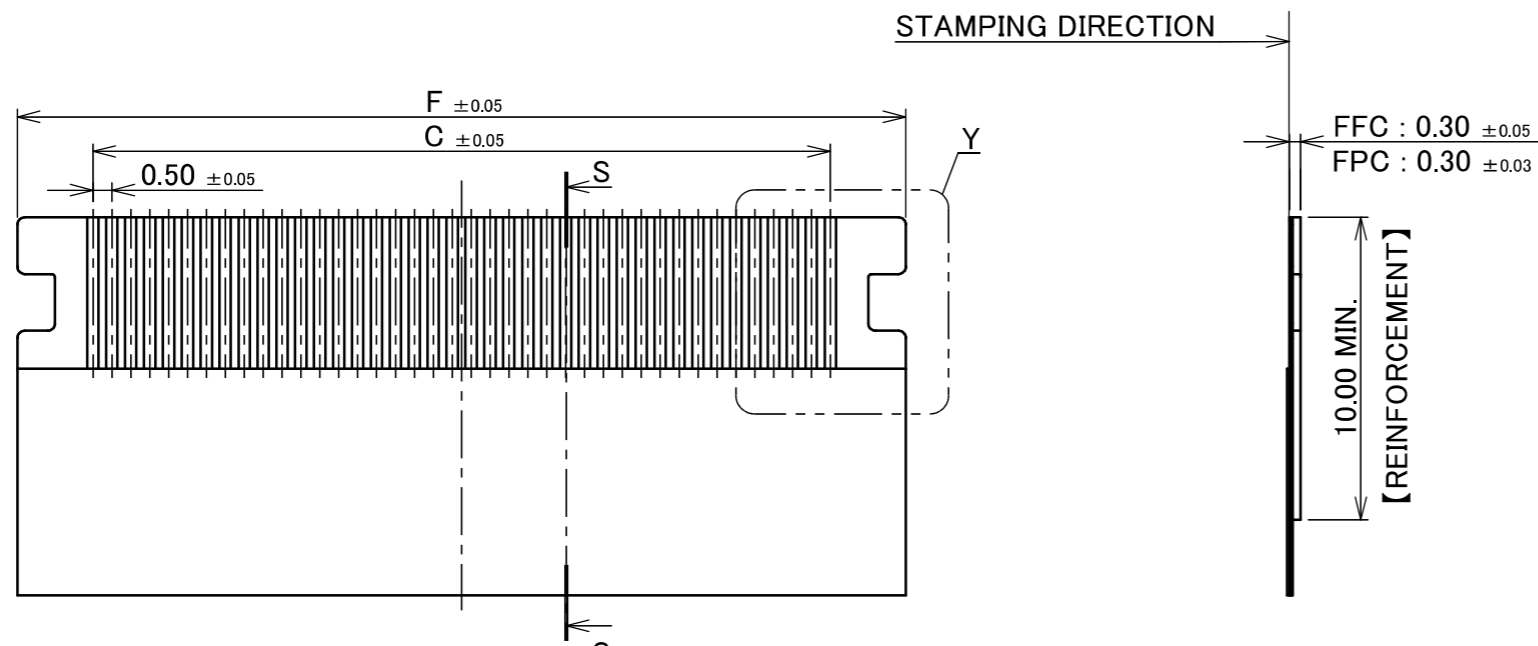
ITEMS	SPECIFICATION
RATING VOLTAGE	50V AC/DC (PER CONTACT PIN)
RATING AMPERAGE (FOR CONTACT)	0.50A AC/DC (PER CONTACT PIN) ※(AVAILABLE UP TO 15PIN) / 0.35A AC/DC(PER CONTACT PIN) ※(AVAILABLE FOR ALL PIN)
OPERATING TEMPERATURE	Using FFC : 233~358K(-40°C~+85°C) Using FPC : 233~398K(-40°C~+125°C)
OPERATING HUMIDITY	85% MAX.(NON-CONDENSING)
CONTACT RESISTANCE	INITIAL : 70mohm MAX. / AFTER TEST : $\triangleleft$ 40mohm MAX.
INSULATION RESISTANCE	INITIAL : 500Mohm MIN. / AFTER TEST : 500Mohm MIN.
DIELECTRIC WITHSTANDING VOLTAGE	AC 250V 1min
DURABILITY	30 CYCLES
MATING FORCE (INITIAL / AFTER TEST)	10P : 6.0N MAX. 15P : 9.0N MAX. 22P : 13.2N MAX. 30P : 18.0N MAX. 40P : 24.0N MAX. 45P : 27.0N MAX. 50P : 30.0N MAX. 55P : 33.0N MAX. 60P : 36.0N MAX.
UNMATING FORCE (INITIAL / AFTER TEST)	10P : 0.90N MIN. 15P : 1.35N MIN. 22P : 1.98N MIN. 30P : 2.70N MIN. 40P : 3.60N MIN. 45P : 4.05N MIN. 50P : 4.50N MIN. 55P : 4.95N MIN. 60P : 5.40N MIN.
COPLANARITY	0.10mm MAX.
PRODUCT SPECIFICATION	PRS-1562
TEST REPORT	TR-10048
PACKING STANDARD	300-861
INSTRUCTION MANUAL	HIM-10008
APPEARANCE CRITERIA No.	QLS-A***

ANGLE	$\pm 2^\circ$	6 OVER 30 MAX.	$\pm 0.3$	PROJECTION 	SERIES No. R5	CUSTOMER COPY		
6 MAX.	$\pm 0.2$	30 OVER 120 MAX.	$\pm 0.5$			TITLE EVAFLEX® 5-SE	SCALE -	<b>I-PEX</b>
GENERAL TOLERANCE.				DWG. No. 20526	UNIT mm	SIZE A3	SHEET 2/6	
DWG.	DATE							
CHK.								
APP.								

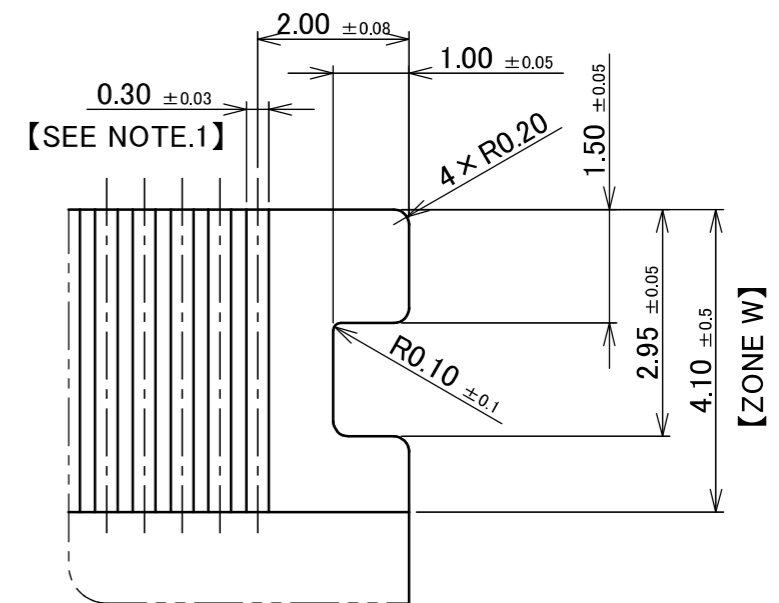
Recommended P/N 20526-0\*\*E-01

PART NO.	Pos.	C	F
20526-010E-01	10	4.50	8.50
20526-015E-01	15	7.00	11.00
20526-022E-01	22	10.50	14.50
20526-030E-01	30	14.50	18.50
20526-040E-01	40	19.50	23.50
20526-045E-01	45	22.00	26.00
20526-050E-01	50	24.50	28.50
◆20526-055E-01	55	27.00	31.00
20526-060E-01	60	29.50	33.50

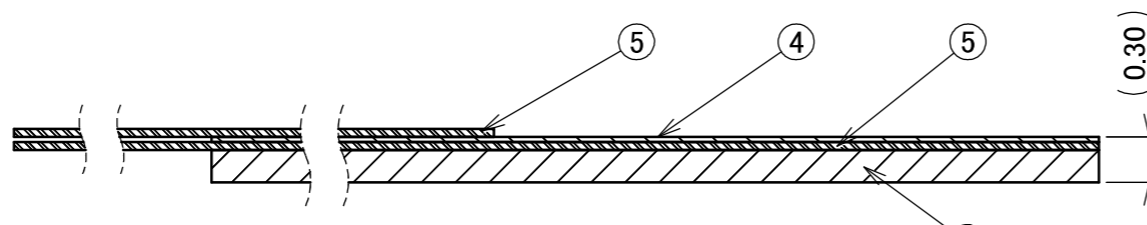
◆MARK MEANS NOT AVAILABLE



RECOMMENDED FFC/FPC LAYOUT



DETAIL Y  
(S = 10 : 1)



SECT. S-S  
(S=20 : 1)

NO.	DISCRIPTION	MATERIAL	FINISH
6	REINFORCED TAPE	ARBITRARY	
5	INSULATION FILM	ARBITRARY	
4	CONDUCTOR	COPPER ALLOY	CONTACT AREA: Au $0.05 \mu\text{m}$ MIN. OVER Ni $0.5 \mu\text{m}$ MIN.

NOTES.

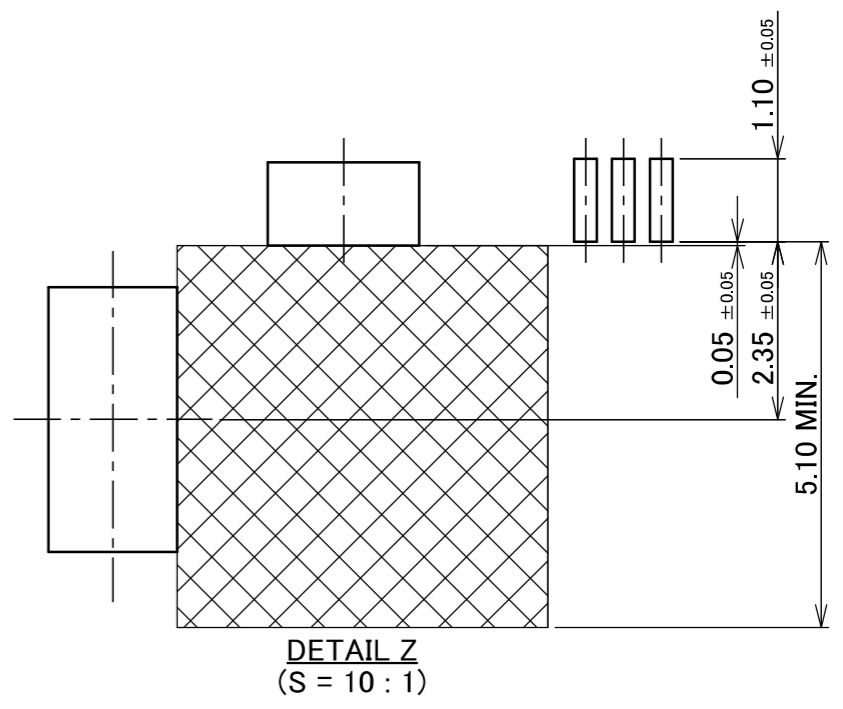
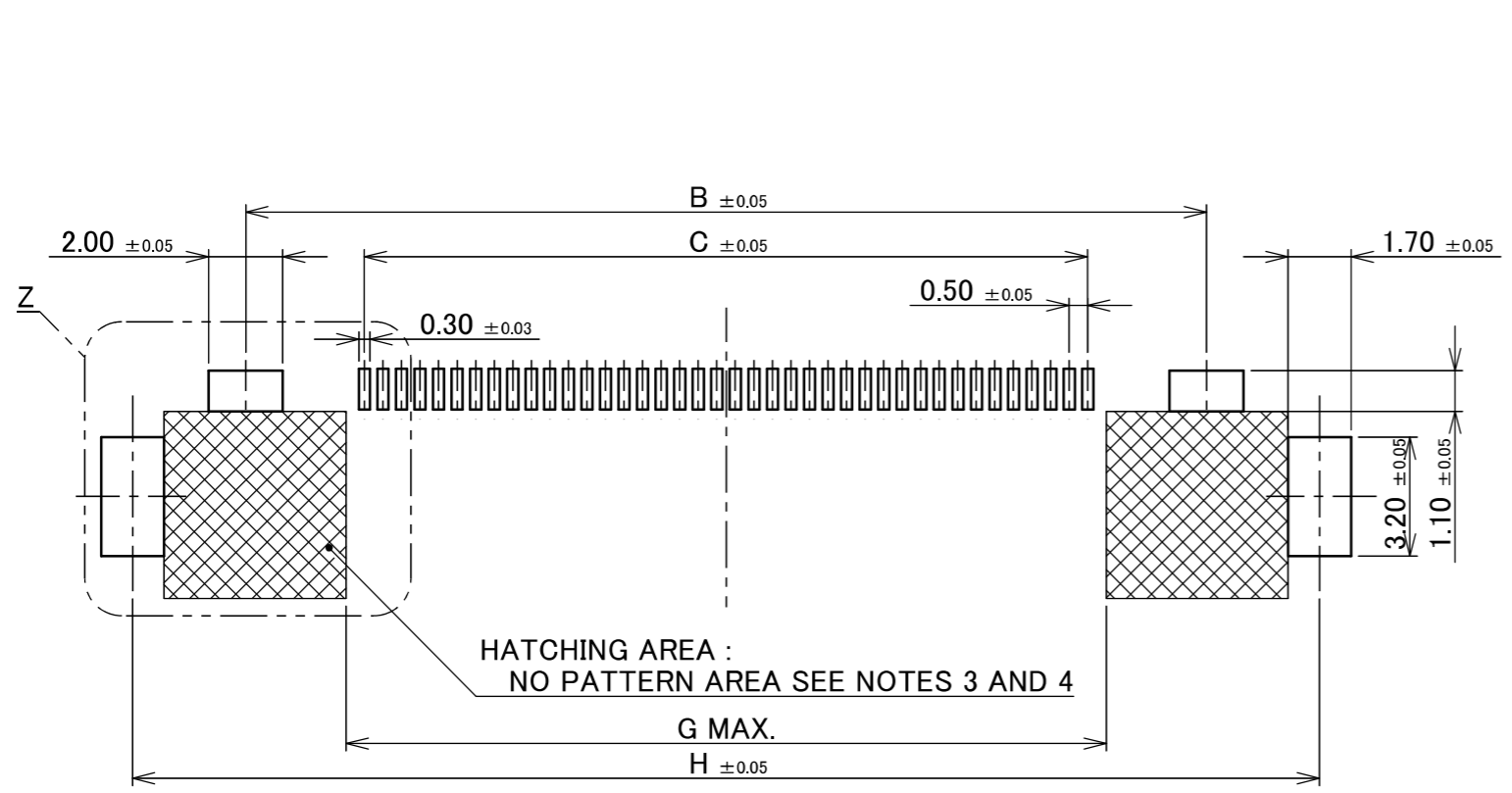
- CONTROL DIMENSION OF 【ZONE W】 WITH IN  $0.30 \pm 0.03$
- SELECT A MATERIAL WITH A SOFTENING TEMPERATURE OF  $85^\circ\text{C}$  OR HIGHER FOR THE PATTERN ADHESIVE PART OF FFC.

ANGLE	$\pm 2^\circ$	6 OVER 30 MAX.	$\pm 0.3$	PROJECTION	SERIES No.	CUSTOMER COPY			
6 MAX.	$\pm 0.2$	30 OVER 120 MAX.	$\pm 0.5$		R5				
GENERAL TOLERANCE.				TITLE	EVAFLEX® 5-SE		SCALE		
DWG.	DATE					UNIT	I-PEX		
CHK.						mm			
APP.				DWG. No.	20526	SIZE	SHEET	REV.	
						A3	3/6	15	

**Recommended P/N**      **20526-0\*\*E-01**

PART NO.	Pos.	B	C	G	H
20526-010E-01	10	10.90	4.50	5.50	17.00
20526-015E-01	15	13.40	7.00	8.00	19.50
20526-022E-01	22	16.90	10.50	11.50	23.00
20526-030E-01	30	20.90	14.50	15.50	27.00
20526-040E-01	40	25.90	19.50	20.50	32.00
20526-045E-01	45	28.40	22.00	23.00	34.50
20526-050E-01	50	30.90	24.50	25.50	37.00
◆20526-055E-01	55	33.40	27.00	28.00	39.50
20526-060E-01	60	35.90	29.50	30.50	42.00

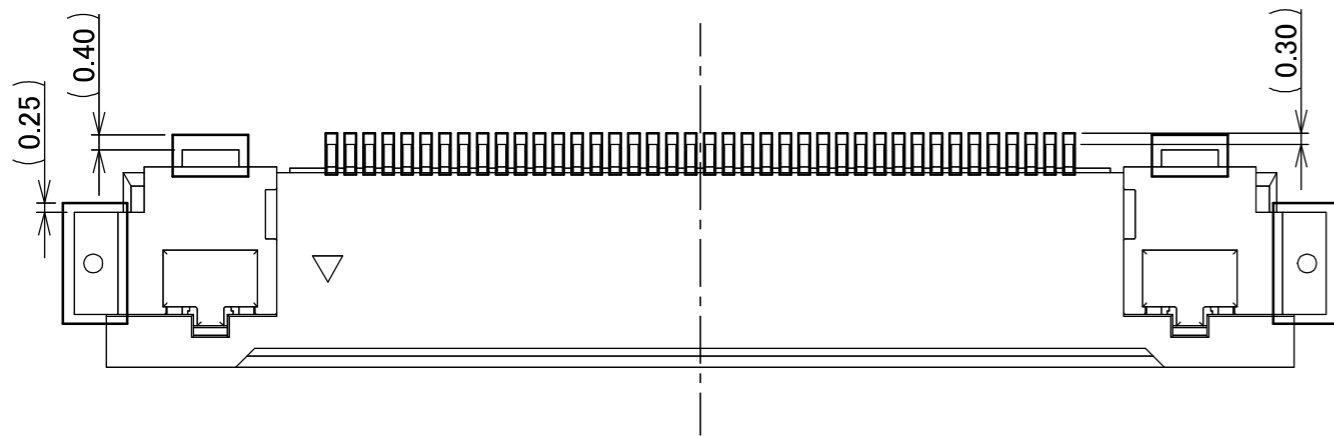
◆MARK MEANS NOT AVAILABLE



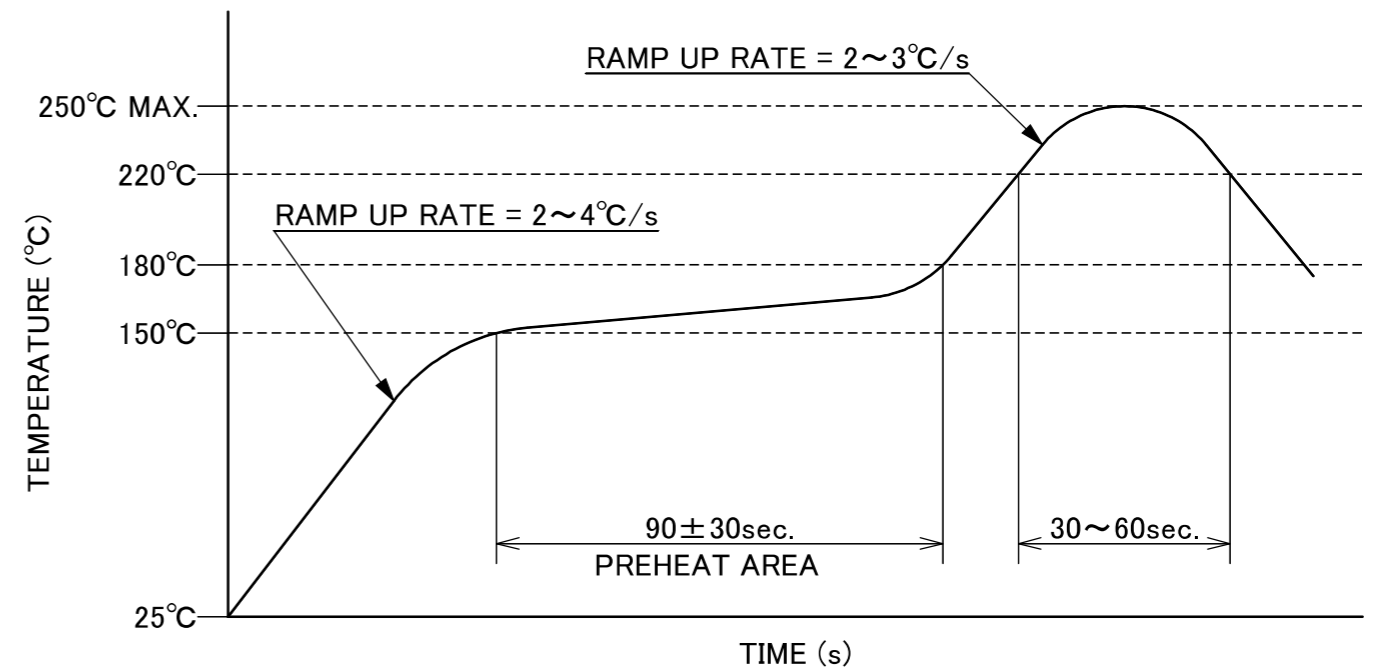
**RECOMMENDED PCB & METALMASK LAYOUT**  
**METAL MASK THICKNESS : t=0.12**

NOTES.  
 3. DO NOT MOUNT ANOTHER COMPONENTS IN THIS AREA.  
 4. SOLDER RESIST MUST BE APPLIED TO THIS AREA.

ANGLE	$\pm 2^\circ$	6 OVER 30 MAX.	$\pm 0.3$	PROJECTION 	SERIES No. R5	CUSTOMER COPY		
6 MAX.	$\pm 0.2$	30 OVER 120 MAX.	$\pm 0.5$					
GENERAL TOLERANCE.				TITLE EVAFLEX® 5-SE	SCALE 5:1	UNIT mm		
DWG.	DATE							
CHK.								
APP.								
				DWG. No.	20526	SIZE A3	SHEET 4/6	REV. 15



**CONNECTOR ON RECOMMENDED FOOTPRINT PATTERN**



**REFLOW TEMPERATURE PROFILE**  
 SENJU METAL INDUSTRY CO., LTD. : M705-SHF(Sn96.5 Ag3.0 Cu0.5)

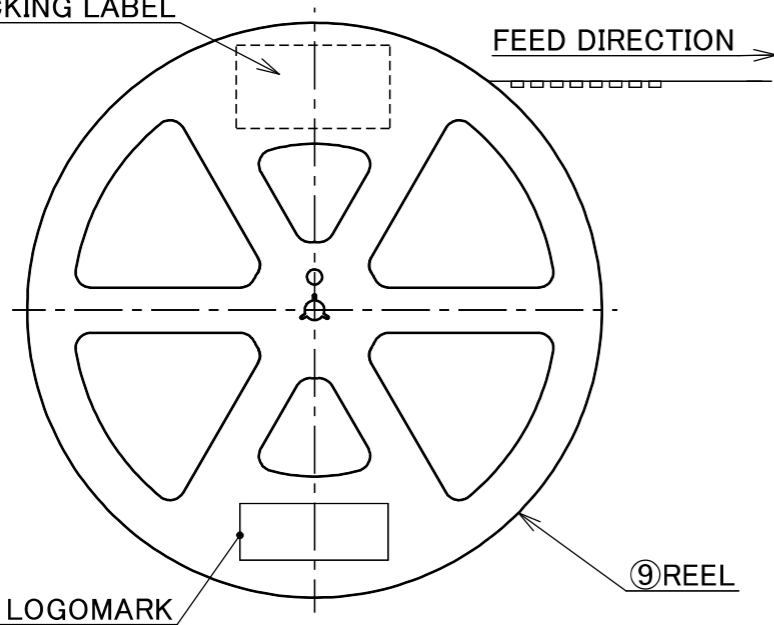
ANGLE	±2°	6 OVER 30 MAX.	±0.3	PROJECTION 	SERIES No. R5	CUSTOMER COPY		
6 MAX.	±0.2	30 OVER 120 MAX.	±0.5					
GENERAL TOLERANCE.				TITLE EVAFLEX® 5-SE	SCALE 5:1			
DWG.	DATE							
CHK.								
APP.								
				DWG. No.	20526	SIZE A3	SHEET 5/6	REV. 15

PART NO.	J	K	L	M	N	P	Q	R	S	QTY. PER EMBOSS REEL (PIECES / REEL)	QTY. PER PACKING CARTON (REELS / CARTON)
20526-010E-01	32.00	25.50	33.40	37.40	14.20	28.40	16.80	19.10	13.30	2000 PIECES / REEL	4REELS / CARTON = 8000 PIECES / CARTON
20526-015E-01							19.30	21.60	15.80		
20526-022E-01	44.00	32.30	45.40	49.40	20.20	40.40	22.80	25.10	19.30		
20526-030E-01		37.40					26.80	29.10	23.30		
20526-040E-01	56.00	49.40	57.40	61.40	26.20	52.40	31.80	34.10	28.30		
20526-045E-01							34.30	36.60	30.80		
20526-050E-01							36.80	39.10	33.30		
◆20526-055E-01							39.30	41.60	35.80		
20526-060E-01							41.80	44.10	38.30		

◆ MARK MEANS NOT AVAILABLE

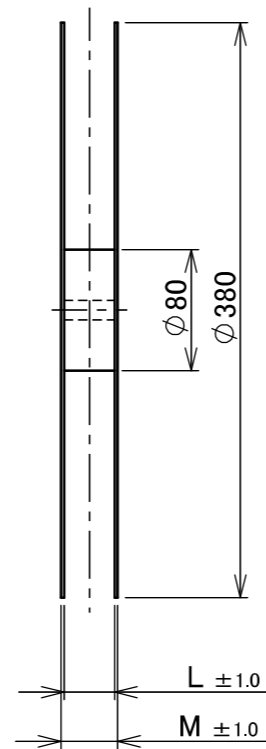
⑩ PACKING LABEL

FEED DIRECTION



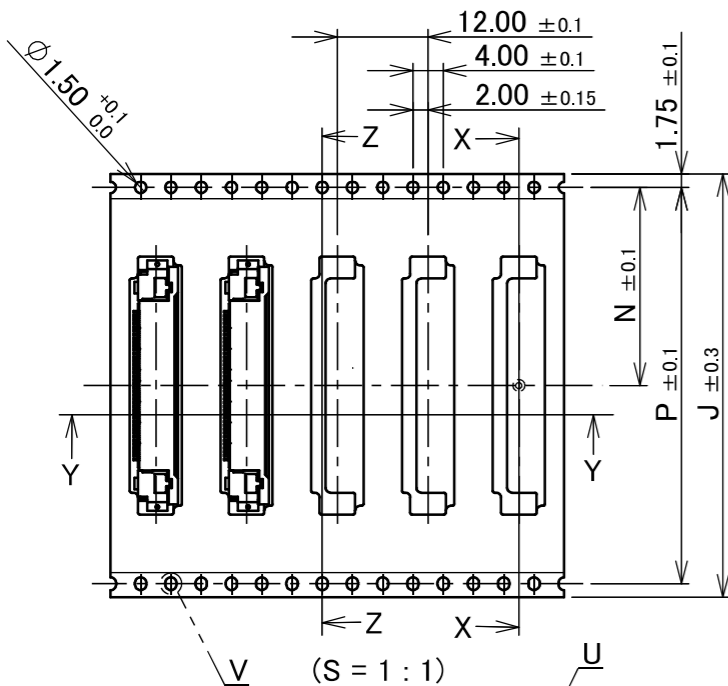
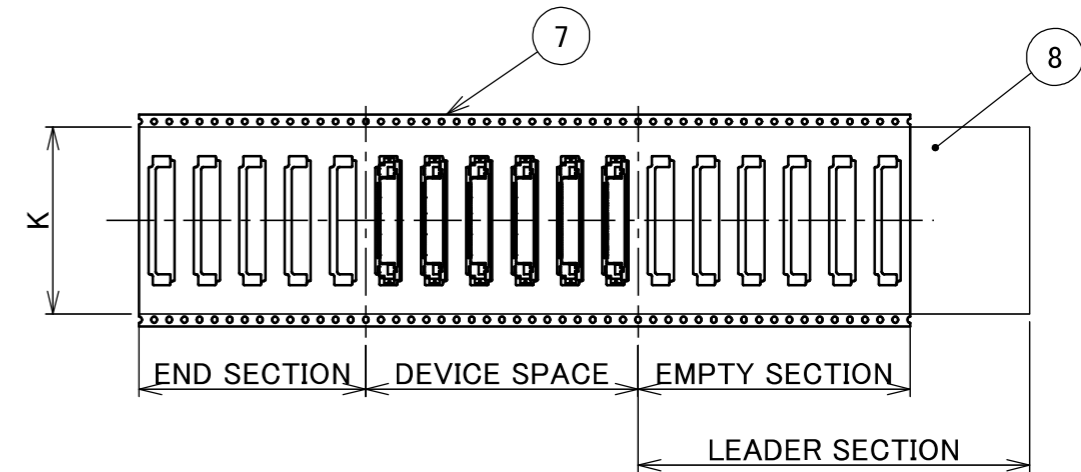
I-PEX LOGOMARK

⑨ REEL



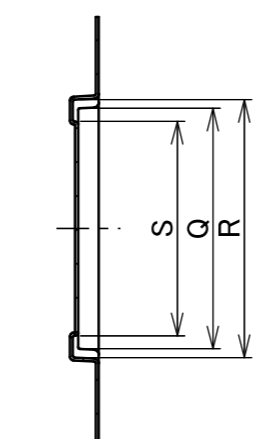
L ±1.0

M ±1.0

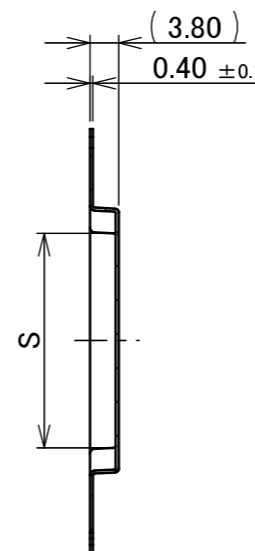


SECT. V-V (S = 1 : 1)

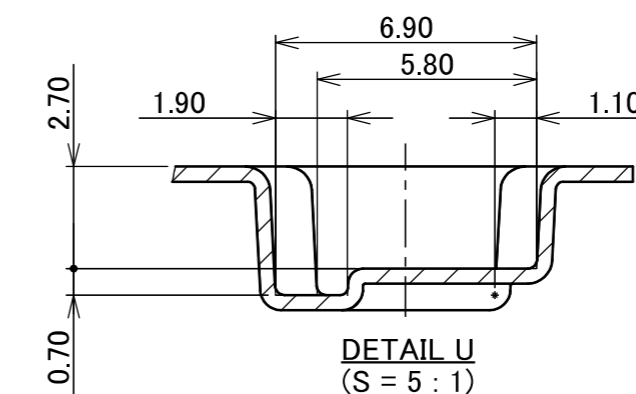
SECT. Y-Y (S = 1 : 1)



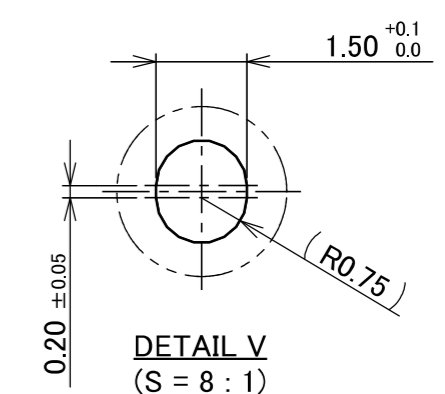
SECT. X-X (S = 1 : 1)



SECT. Z-Z (S = 1 : 1)



DETAIL U (S = 5 : 1)



DETAIL V (S = 8 : 1)

NOTES.

- TAPING SPECIFICATION FOLLOWS JIS C 0806 (IEC 60286-3).
- MAKE EMPTY SECTION OF LEADER AND END ON EACH END OF THE TAPE.
- TOP TAPE SHALL NOT STICK OUT FROM EMBOSS TAPE.
- TOP TAPE SHALL NOT COVER FEED HOLE.

NO.	DISCRIPTION	MATERIAL	FINISH , REMARKS
10	PACKING LABEL	-	-
9	REEL	PS	WHITE
8	TOP TAPE	PET t=0.061 TRANSPARENCY	ANTI-STATIC TYPE ADHESIVE TYPE
7	EMBOSS TAPE	PS t=0.40 TRANSPARENCY	ANTI-STATIC TYPE

ANGLE	±2°	6 OVER 30 MAX.	±0.3	PROJECTION ⊕	SERIES No. R5	CUSTOMER COPY	
6 MAX.	±0.2	30 OVER 120 MAX.	±0.5				
GENERAL TOLERANCE.				TITLE EVAFLEX® 5-SE		SCALE 1:X	I-PEX
DWG.	DATE			DWG. No. 20526		UNIT mm	
CHK.						SIZE A3	SHEET 6/6
APP.						REV. 15	