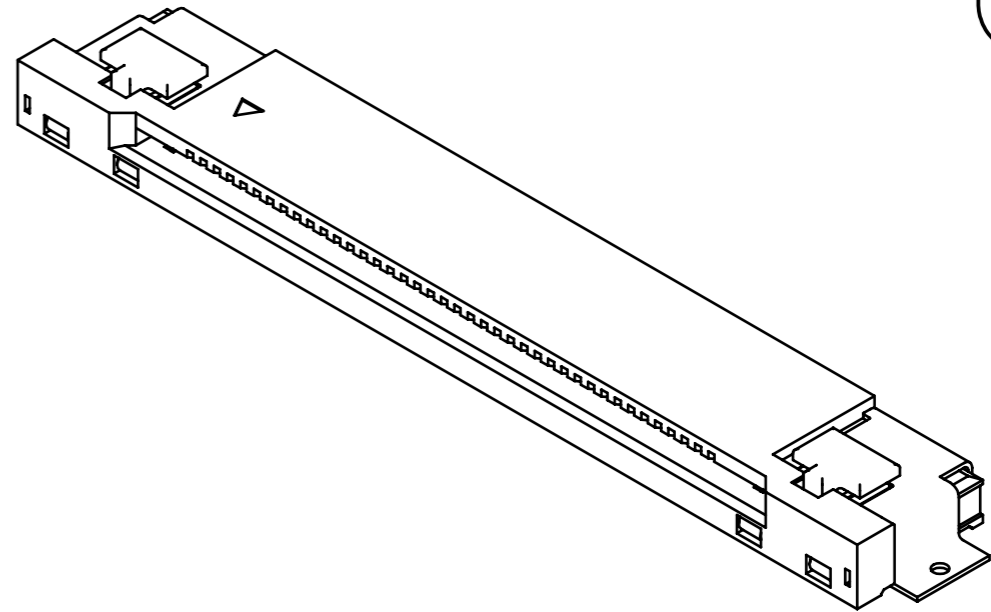
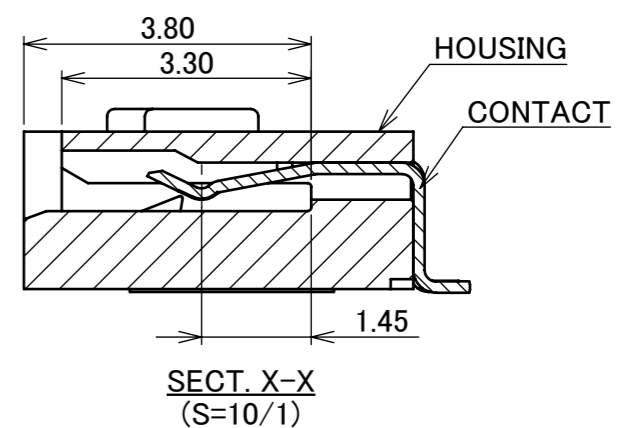
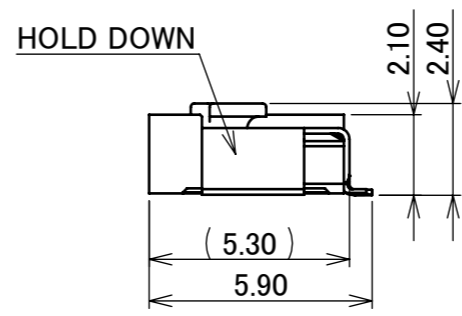
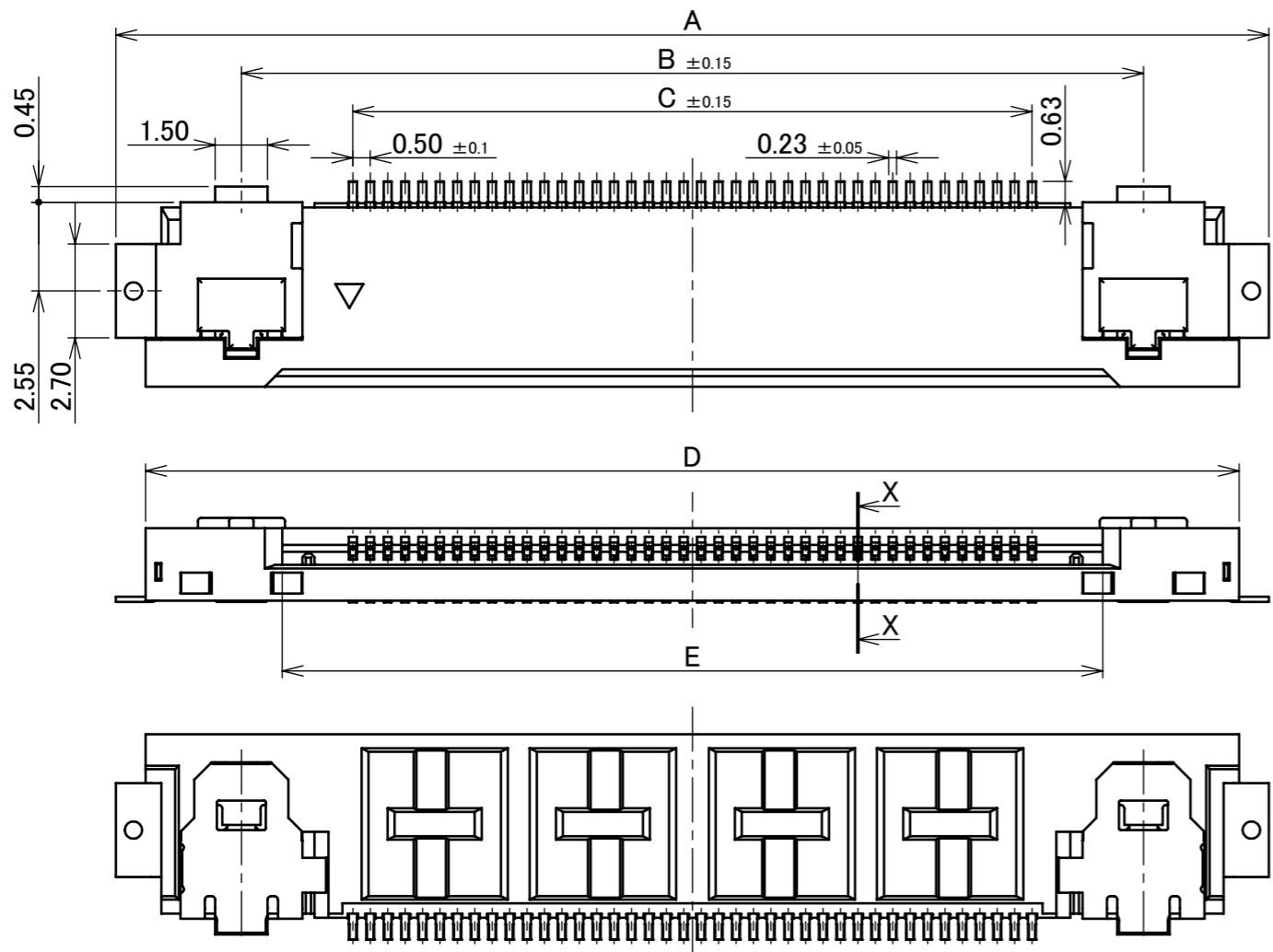


Recommended P/N 20526-0**E-01

| PART NO. | Pos. | A | B | C | D | E |
|----------------|------|-------|-------|-------|-------|-------|
| 20526-010E-01 | 10 | 18.10 | 10.90 | 4.50 | 16.40 | 8.56 |
| 20526-015E-01 | 15 | 20.60 | 13.40 | 7.00 | 18.90 | 11.06 |
| 20526-022E-01 | 22 | 24.10 | 16.90 | 10.50 | 22.40 | 14.56 |
| 20526-030E-01 | 30 | 28.10 | 20.90 | 14.50 | 26.40 | 18.56 |
| 20526-040E-01 | 40 | 33.10 | 25.90 | 19.50 | 31.40 | 23.56 |
| 20526-045E-01 | 45 | 35.60 | 28.40 | 22.00 | 33.90 | 26.06 |
| 20526-050E-01 | 50 | 38.10 | 30.90 | 24.50 | 36.40 | 28.56 |
| ◆20526-055E-01 | 55 | 40.60 | 33.40 | 27.00 | 38.90 | 31.06 |
| 20526-060E-01 | 60 | 43.10 | 35.90 | 29.50 | 41.40 | 33.56 |



◆MARK MEANS NOT AVAILABLE



| 3 | HOLD DOWN | PHOSPHOR BRONZE | SOLDERING AREA : Sn 2.00 μ m MIN. OVER Ni 1.00 μ m MIN. |
|-----|-------------|-----------------|------------------------------------------------------------------------------------------------------------------|
| 2 | CONTACT | PHOSPHOR BRONZE | CONTACT AREA : Au 0.10 μ m MIN. OVER Ni 1.00 μ m MIN. SOLDERING AREA : Au 0.03 μ m MIN. OVER Ni 1.00 μ m MIN. |
| 1 | HOUSING | LCP | UL94V-0 BLACK |
| NO. | DISCRIPTION | MATERIAL | FINISH , REMARKS |

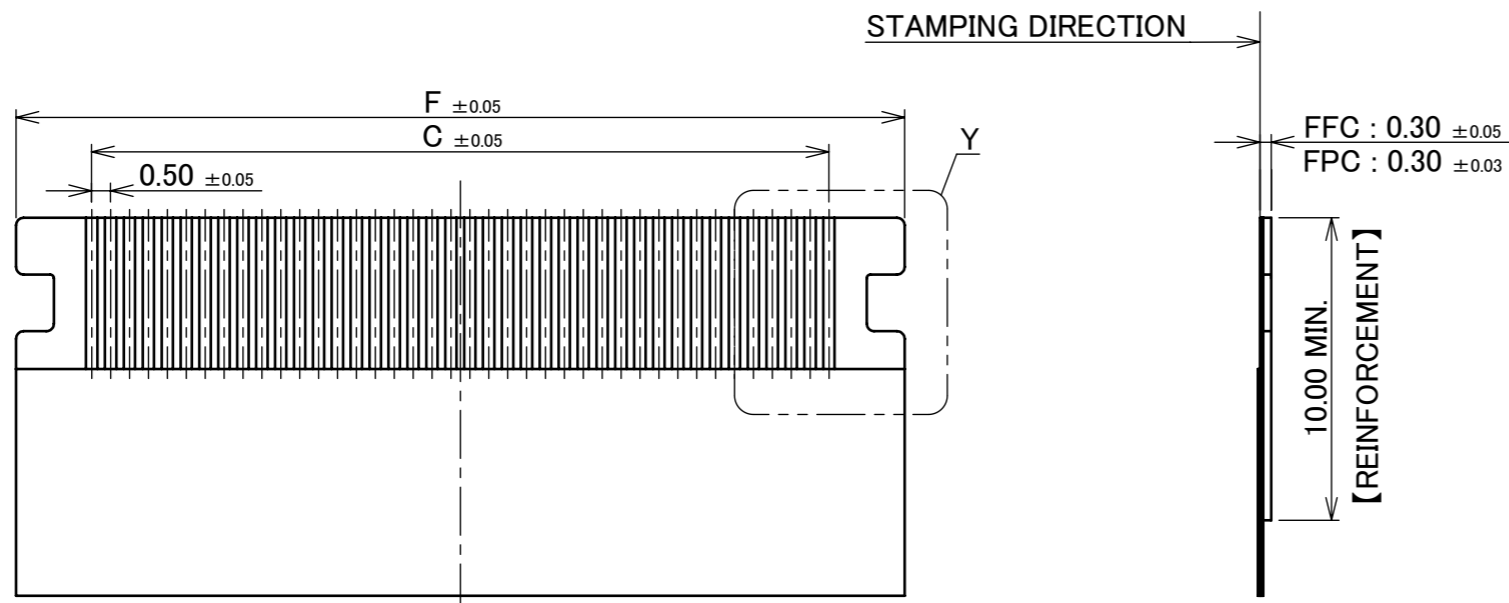
| | | | | | | | | | | | | |
|-----------------|---------|-----|--------------|------|--------------------|-------------|------------------|-------------------|------------------------|------------------|---------------|-------|
| 10 | Z201249 | M.M | Dec./03/'20 | Y.S | ANGLE | ±2° | 6 OVER 30 MAX. | ±0.3 | PROJECTION ⊕ | SERIES No. R4 | CUSTOMER COPY | |
| 9 | Z200565 | H.K | June/08/'20 | Y.S | 6 MAX. | ±0.2 | 30 OVER 120 MAX. | ±0.5 | | | | |
| 8 | Z191231 | H.K | Sept./19/'19 | H.I | GENERAL TOLERANCE. | | | | TITLE EVAFLEX® 5-SE | SCALE 5:1 | UNIT mm | I-PEX |
| 7 | Z180592 | H.K | May/07/'18 | Y.S | DWG. | DATE | | 2011/11/02 | | | | |
| 6 | Z160909 | K.H | July/29/'16 | J.T | H.Hara | | | | | | | |
| 5 | Z13088 | H.A | Jan./31/'13 | T.H | CHK. | Y.Hashimoto | | DWG. No. 20526 | SIZE A3 | SHEET 1/6 | REV. 10 | |
| REV. | ECN | BY | DATE | APP. | APP. | T.Harada | | | | | | |
| REVISION RECORD | | | | | | | | | | | | |

| ITEMS | SPECIFICATION |
|---------------------------------------|----------------------------------------------------------------------------------------------------------------------------------------------------------------------------------|
| RATING VOLTAGE | 50V AC/DC (PER CONTACT) |
| RATING AMPERAGE (FOR CONTACT) | 0.50A AC/DC (PER CONTACT) ※(AVAILABLE UP TO 15PIN) / 0.35A AC/DC(PER CONTACT) ※(AVAILABLE FOR ALL PIN) |
| OPERATING TEMPERATURE | Using FFC : 233~358K(-40°C~+85°C) Using FPC : 233~398K(-40°C~+125°C) |
| OPERATING HUMIDITY | 85% MAX.(NON-CONDENSING) |
| CONTACT RESISTANCE | INITIAL : 70mohm MAX. / AFTER TEST : \triangleleft 40mohm MAX. |
| INSULATION RESISTANCE | INITIAL : 500Mohm MIN. / AFTER TEST : 500Mohm MIN. |
| DIELECTRIC WITHSTANDING VOLTAGE | AC 250V 1min |
| DURABILITY | 30 CYCLES |
| MATING FORCE (INITIAL / AFTER TEST) | 10P : 6.0N MAX. 15P : 9.0N MAX. 22P : 13.2N MAX. 30P : 18.0N MAX. 40P : 24.0N MAX. 45P : 27.0N MAX. 50P : 30.0N MAX. 55P : 33.0N MAX. 60P : 36.0N MAX. |
| UNMATING FORCE (INITIAL / AFTER TEST) | 10P : 0.90N MIN. 15P : 1.35N MIN. 22P : 1.98N MIN. 30P : 2.70N MIN. 40P : 3.60N MIN. 45P : 4.05N MIN. 50P : 4.50N MIN. 55P : 4.95N MIN. 60P : 5.40N MIN. |
| COPLANARITY | 0.10mm MAX. |
| PRODUCT SPECIFICATION | PRS-1562 |
| TEST REPORT | TR-10048 |
| PACKING STANDARD | 300-861 |
| INSTRUCTION MANUAL | HIM-10008 |
| APPEARANCE CRITERIA No. | QLS-A*** |

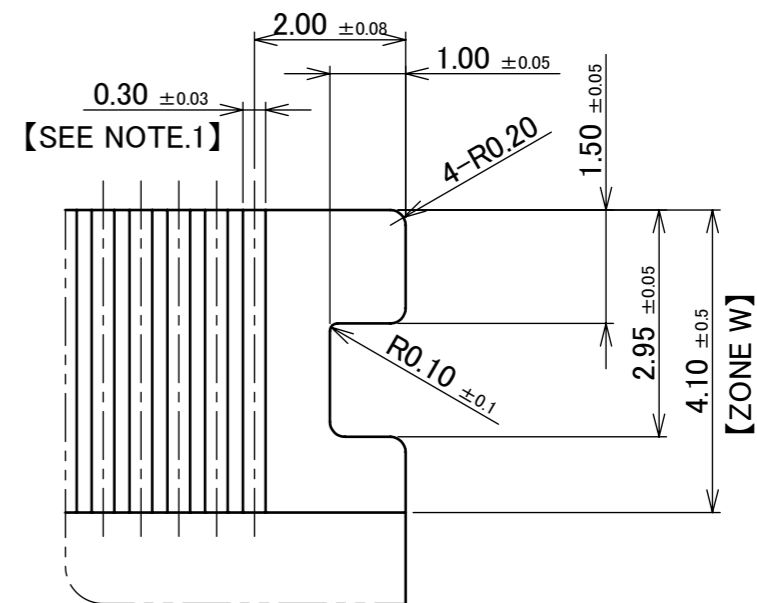
| | | | | | | | |
|--------------------|---------------|------------------|-----------|------------------------|------------------|---------------|--|
| ANGLE | $\pm 2^\circ$ | 6 OVER 30 MAX. | ± 0.3 | PROJECTION | SERIES No. R4 | CUSTOMER COPY | |
| 6 MAX. | ± 0.2 | 30 OVER 120 MAX. | ± 0.5 | | | | |
| GENERAL TOLERANCE. | | | | TITLE EVAFLEX® 5-SE | SCALE 5:1 | I-PEX | |
| DWG. | DATE | | | | | | |
| CHK. | | | | | | | |
| APP. | | | | | | | |
| DWG. No. | 20526 | | | SIZE A3 | SHEET 2/6 | REV. 10 | |

| PART NO. | Pos. | C | F |
|----------------|------|-------|-------|
| 20526-010E-01 | 10 | 4.50 | 8.50 |
| 20526-015E-01 | 15 | 7.00 | 11.00 |
| 20526-022E-01 | 22 | 10.50 | 14.50 |
| 20526-030E-01 | 30 | 14.50 | 18.50 |
| 20526-040E-01 | 40 | 19.50 | 23.50 |
| 20526-045E-01 | 45 | 22.00 | 26.00 |
| 20526-050E-01 | 50 | 24.50 | 28.50 |
| ◆20526-055E-01 | 55 | 27.00 | 31.00 |
| 20526-060E-01 | 60 | 29.50 | 33.50 |

◆MARK MEANS NOT AVAILABLE



RECOMMENDED FFC/FPC LAYOUT



DETAIL Y
(S=10/1)

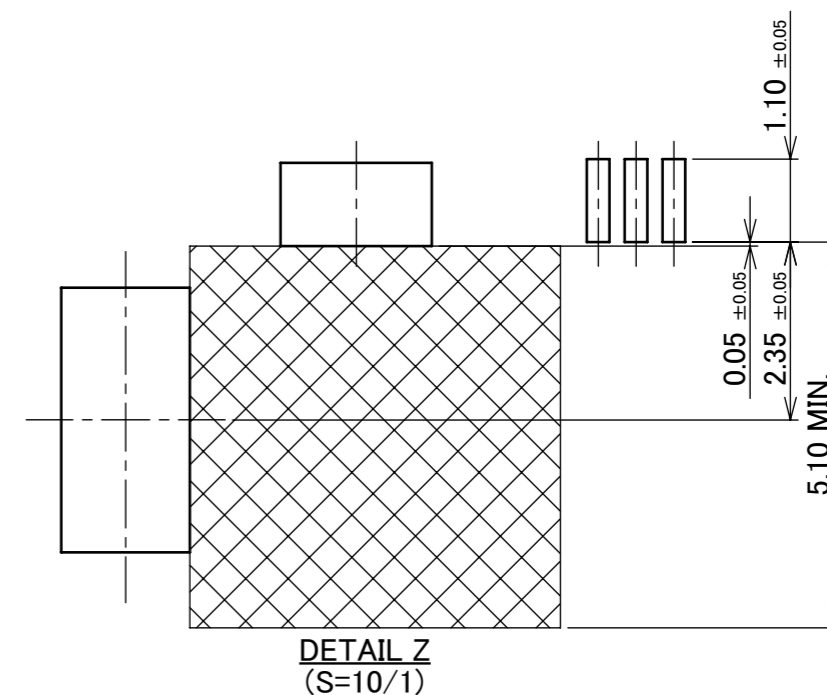
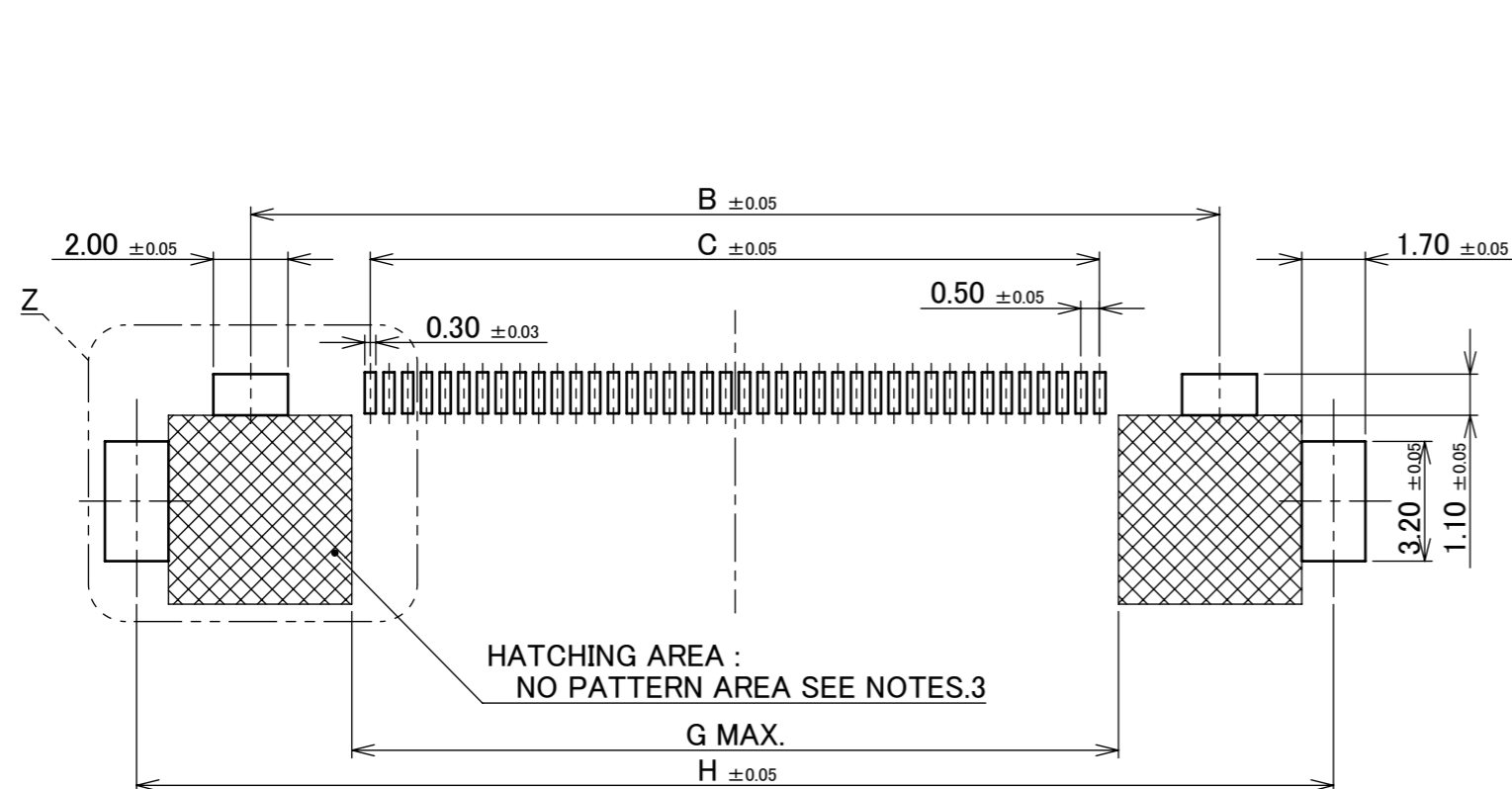
NOTES.
1. CONTROL DIMENSION OF 【ZONE W】 WITH IN 0.30 ± 0.03

| | | | | | | | |
|--------------------|---------------|------------------|-----------|---------------|------------|---------------|-------|
| ANGLE | $\pm 2^\circ$ | 6 OVER 30 MAX. | ± 0.3 | PROJECTION | SERIES No. | CUSTOMER COPY | |
| 6 MAX. | ± 0.2 | 30 OVER 120 MAX. | ± 0.5 | | R4 | | |
| GENERAL TOLERANCE. | | | | TITLE | SCALE | I-PEX | |
| DWG. | DATE | | | EVAFLEX® 5-SE | 5:1 | | |
| CHK. | | | | | UNIT | | |
| APP. | | | | DWG. No. | mm | SIZE | SHEET |
| | | | | 20526 | A3 | 3/6 | REV. |
| | | | | | | | 10 |

Recommended P/N 20526-0**E-01

| PART NO. | Pos. | B | C | G | H |
|----------------|------|-------|-------|-------|-------|
| 20526-010E-01 | 10 | 10.90 | 4.50 | 5.50 | 17.00 |
| 20526-015E-01 | 15 | 13.40 | 7.00 | 8.00 | 19.50 |
| 20526-022E-01 | 22 | 16.90 | 10.50 | 11.50 | 23.00 |
| 20526-030E-01 | 30 | 20.90 | 14.50 | 15.50 | 27.00 |
| 20526-040E-01 | 40 | 25.90 | 19.50 | 20.50 | 32.00 |
| 20526-045E-01 | 45 | 28.40 | 22.00 | 23.00 | 34.50 |
| 20526-050E-01 | 50 | 30.90 | 24.50 | 25.50 | 37.00 |
| ◆20526-055E-01 | 55 | 33.40 | 27.00 | 28.00 | 39.50 |
| 20526-060E-01 | 60 | 35.90 | 29.50 | 30.50 | 42.00 |

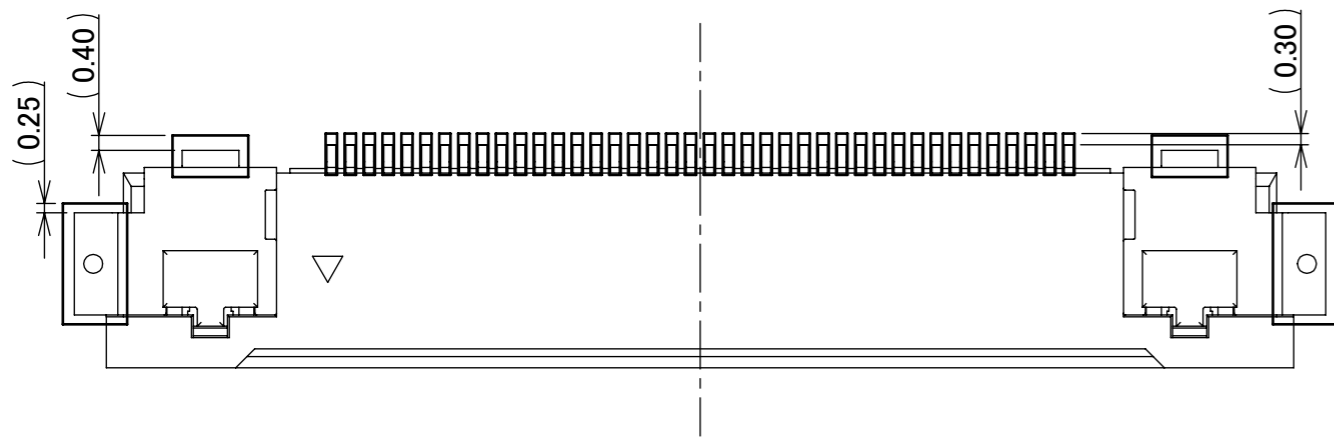
◆MARK MEANS NOT AVAILABLE



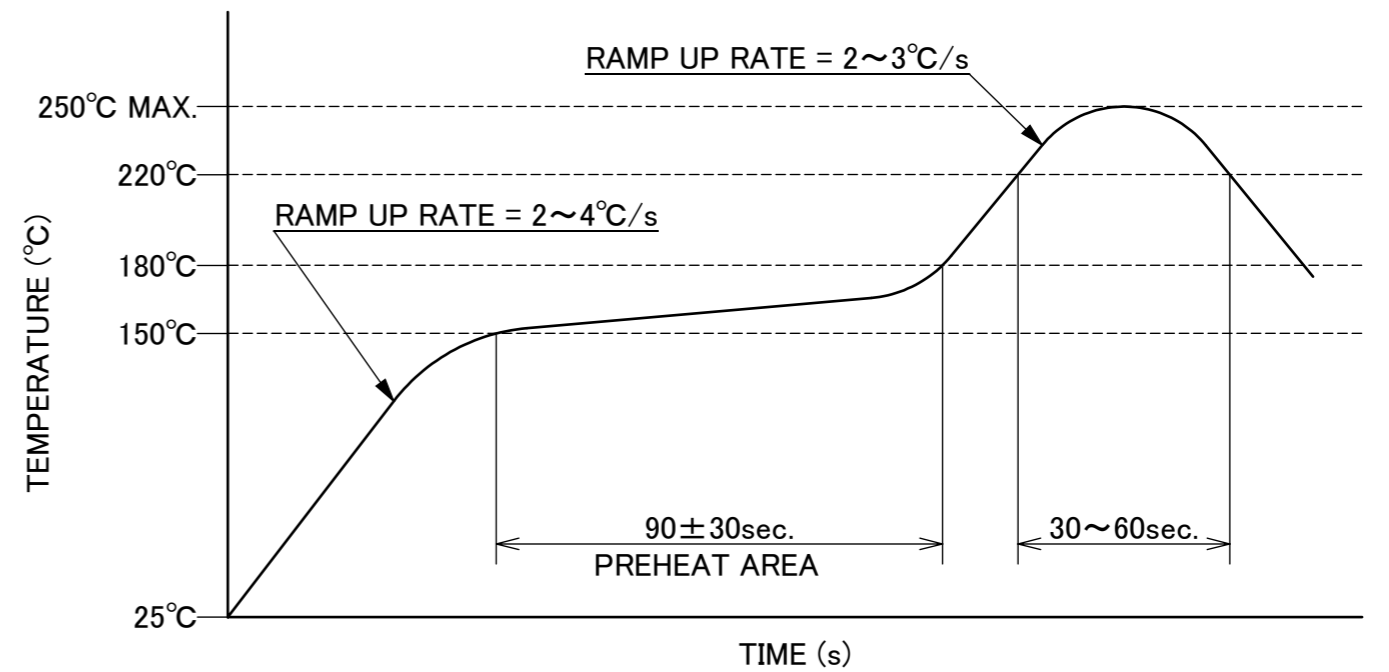
RECOMMENDED PCB & METALMASK LAYOUT
METAL MASK THICKNESS : t=0.12

- NOTES.
 2. HATCHING AREA CANNOT MOUNT ANOTHER COMPONENTS.
 3. SOLDER RESIST SHALL BE COATED IN CASE OF RUNNING TRACES ON THIS FOOTPRINT PATTERN PROHIBITION AREA.

| | | | | | | | | |
|--------------------|------|------------------|------|------------------------|------------------|---------------|--------------|------------|
| ANGLE | ±2° | 6 OVER 30 MAX. | ±0.3 | PROJECTION | SERIES No. R4 | CUSTOMER COPY | | |
| 6 MAX. | ±0.2 | 30 OVER 120 MAX. | ±0.5 | | | | | |
| GENERAL TOLERANCE. | | | | TITLE EVAFLEX® 5-SE | SCALE 5:1 | | | |
| DWG. | DATE | | | | | | | |
| CHK. | | | | | | | | |
| APP. | | | | | | | | |
| | | | | DWG. No. | 20526 | SIZE A3 | SHEET 4/6 | REV. 10 |



CONNECTOR ON RECOMMENDED FOOTPRINT PATTERN



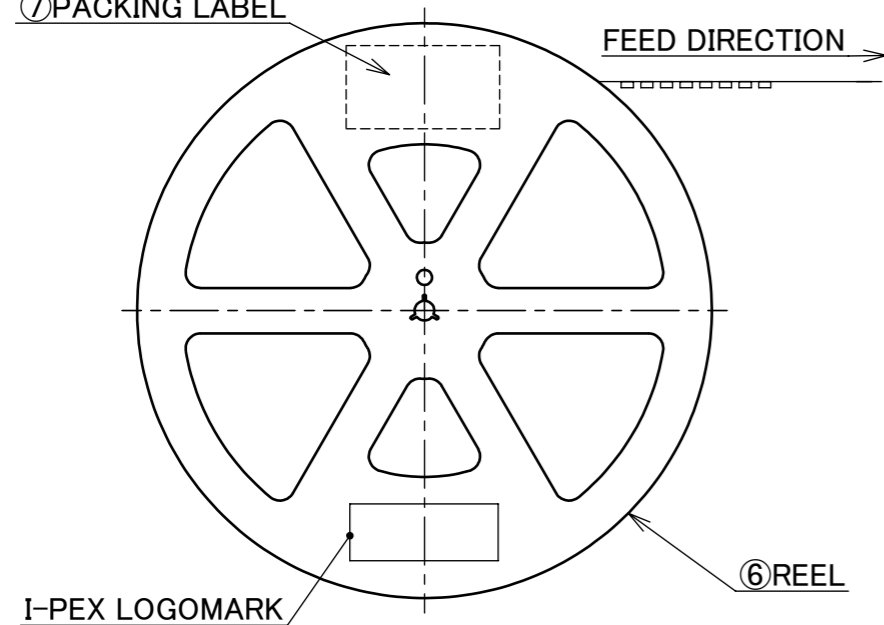
REFLOW TEMPERATURE PROFILE
 SENJU METAL INDUSTRY CO., LTD. : M705-SHF(Sn96.5 Ag3.0 Cu0.5)

| | | | | | | | | |
|--------------------|------|------------------|------|----------------|------------------|---------------|--------------|------------|
| ANGLE | ±2° | 6 OVER 30 MAX. | ±0.3 | PROJECTION | SERIES No. R4 | CUSTOMER COPY | | |
| 6 MAX. | ±0.2 | 30 OVER 120 MAX. | ±0.5 | | | | | |
| GENERAL TOLERANCE. | | | | TITLE | SCALE 5:1 | I-PEX | | |
| DWG. | DATE | | | EVAFLEX® 5-SE | | | | |
| CHK. | | | | | UNIT mm | | | |
| APP. | | | | DWG. No. | 20526 | SIZE A3 | SHEET 5/6 | REV. 10 |

| PART NO. | J | K | L | M | N | P | Q | R | S | QTY. PER EMBOSS REEL (PIECES / REEL) | QTY. PER PACKING CARTON (REELS / CARTON) |
|----------------|-------|-------|-------|-------|-------|-------|-------|-------|-------|--------------------------------------|------------------------------------------|
| 20526-010E-01 | 32.00 | 25.50 | 33.40 | 37.40 | 14.20 | 28.40 | 16.80 | 19.10 | 13.30 | 2000 PIECES / REEL | 4REELS / CARTON = 8000 PIECES / CARTON |
| 20526-015E-01 | | | | | | | 19.30 | 21.60 | 15.80 | | |
| 20526-022E-01 | 44.00 | 32.30 | 45.40 | 49.40 | 20.20 | 40.40 | 22.80 | 25.10 | 19.30 | | |
| 20526-030E-01 | | 37.40 | | | | | 26.80 | 29.10 | 23.30 | | |
| 20526-040E-01 | 56.00 | 49.40 | 57.40 | 61.40 | 26.20 | 52.40 | 31.80 | 34.10 | 28.30 | | |
| 20526-045E-01 | | | | | | | 34.30 | 36.60 | 30.80 | | |
| 20526-050E-01 | | | | | | | 36.80 | 39.10 | 33.30 | | |
| ◆20526-055E-01 | | | | | | | 39.30 | 41.60 | 35.80 | | |
| 20526-060E-01 | | | | | | | 41.80 | 44.10 | 38.30 | | |

◆ MARK MEANS NOT AVAILABLE

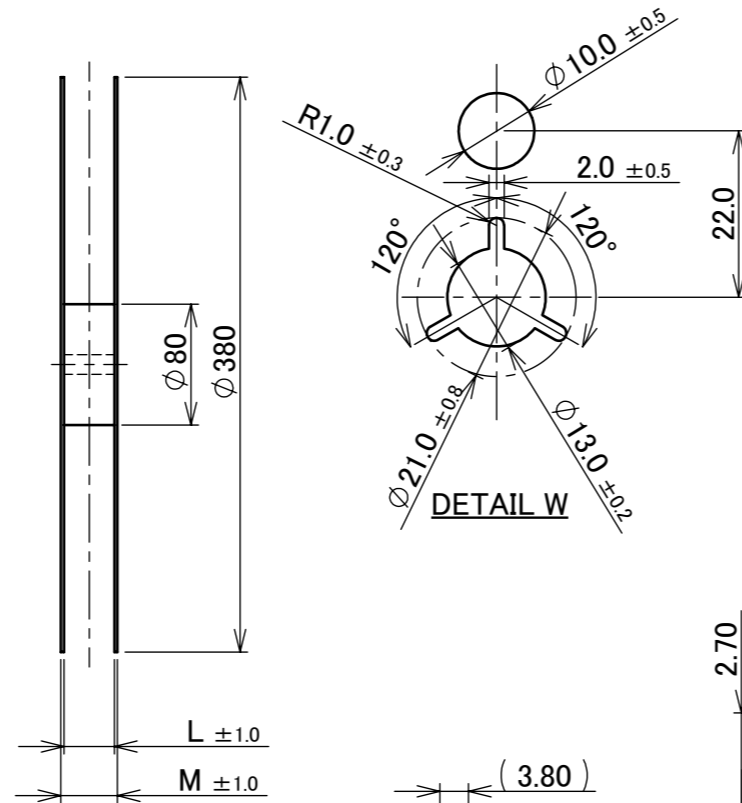
⑦ PACKING LABEL



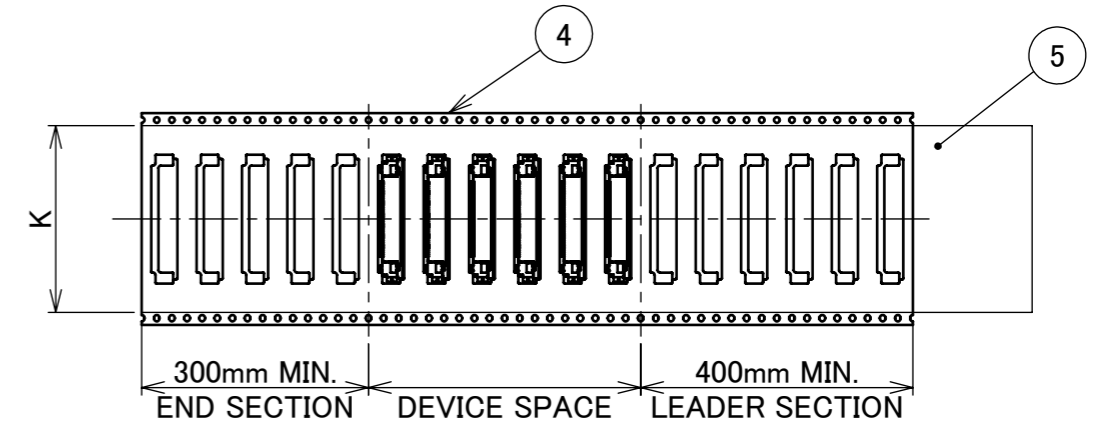
FEED DIRECTION

I-PEX LOGOMARK

⑥ REEL



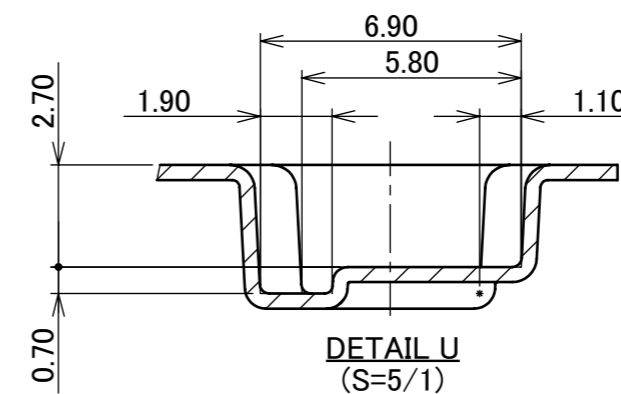
DETAIL W



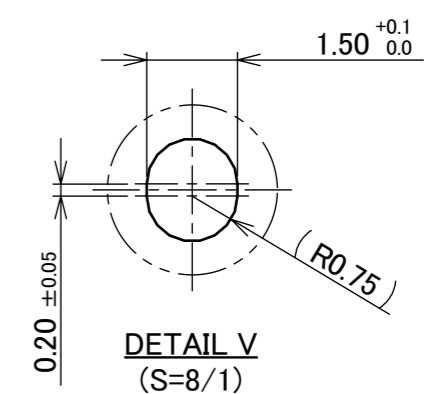
300mm MIN. END SECTION

DEVICE SPACE

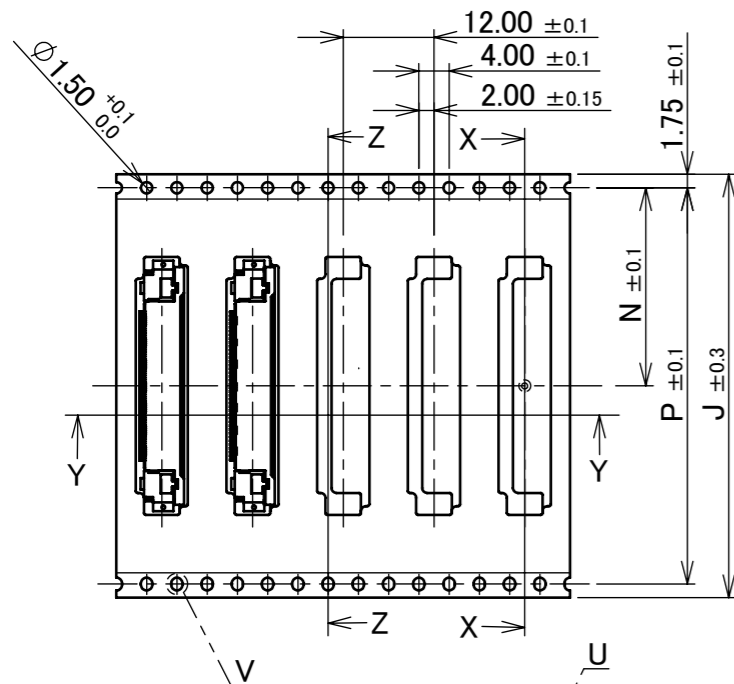
400mm MIN. LEADER SECTION



DETAIL U (S=5/1)



DETAIL V (S=8/1)



SECT. X-X

SECT. Z-Z

SECT. Y-Y

NOTES.

- TAPING SPECIFICATION FOLLOWS JIS C 0806 (IEC 60286-3).
- MAKE EMPTY SECTION OF LEADER AND END ON EACH END OF THE TAPE.
- TOP TAPE SHALL NOT STICK OUT FROM EMBOSS TAPE.
- TOP TAPE SHALL NOT COVER FEED HOLE.

| NO. | DISCRIPTION | MATERIAL | FINISH , REMARKS |
|-----|---------------|-----------------------------|-----------------------------------|
| 7 | PACKING LABEL | - | - |
| 6 | REEL | PS | WHITE |
| 5 | TOP TAPE | PET t=0.061 TRANSPARENCY | ANTI-STATIC TYPE ADHESIVE TYPE |
| 4 | EMBOSS TAPE | PS t=0.40 TRANSPARENCY | ANTI-STATIC TYPE |

| ANGLE | ±2° | 6 OVER 30 MAX. | ±0.3 | PROJECTION | SERIES No. | CUSTOMER COPY | | | |
|--------------------|------|------------------|---------------|------------|------------|---------------|--------------|------|--|
| 6 MAX. | ±0.2 | 30 OVER 120 MAX. | ±0.5 | | R4 | TITLE | | | |
| GENERAL TOLERANCE. | | | | TITLE | | SCALE | I-PEX | | |
| DWG. | DATE | | EVAFLEX® 5-SE | | 5:1 | | | | |
| CHK. | | | | | UNIT | | | | |
| APP. | | | | | mm | | | | |
| | | | | DWG. No. | 20526 | SIZE | SHEET | REV. | |
| | | | | | | A3 | 6/6 | 10 | |