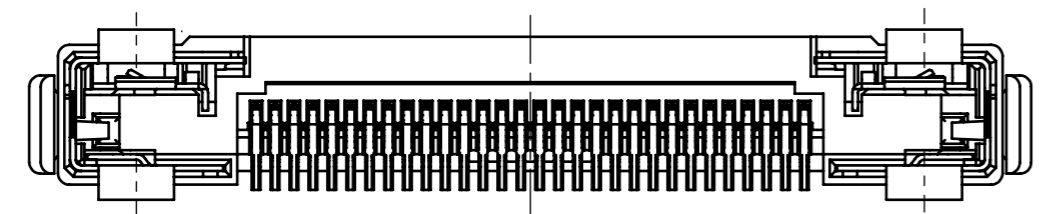
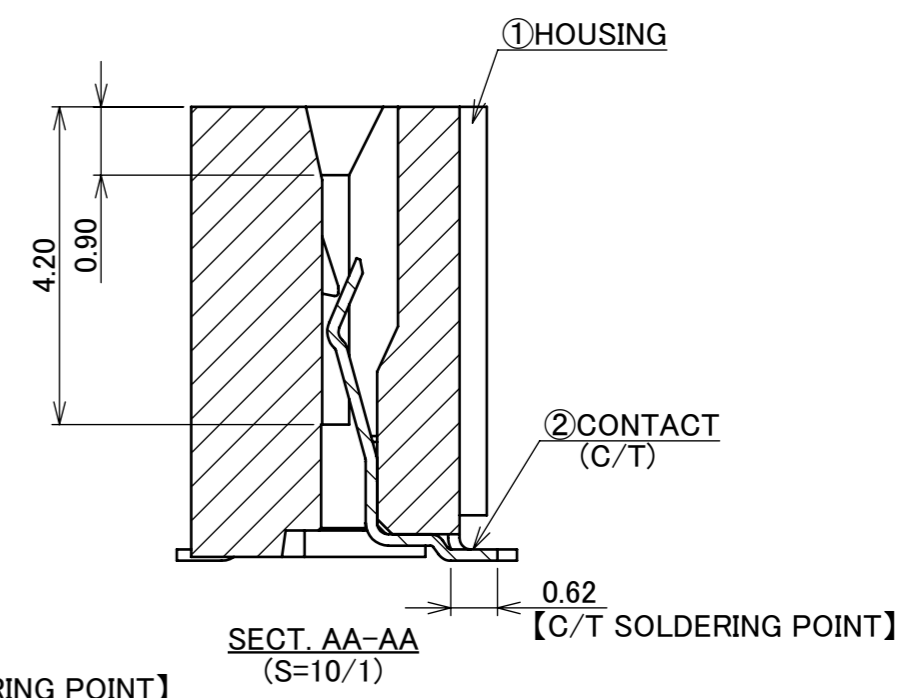
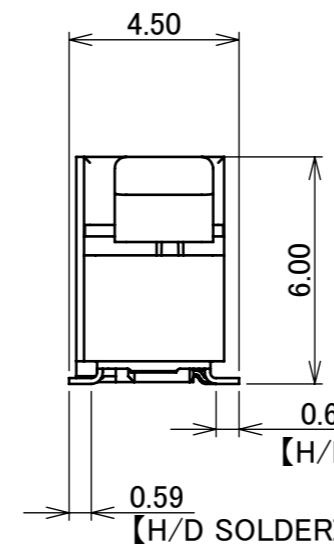
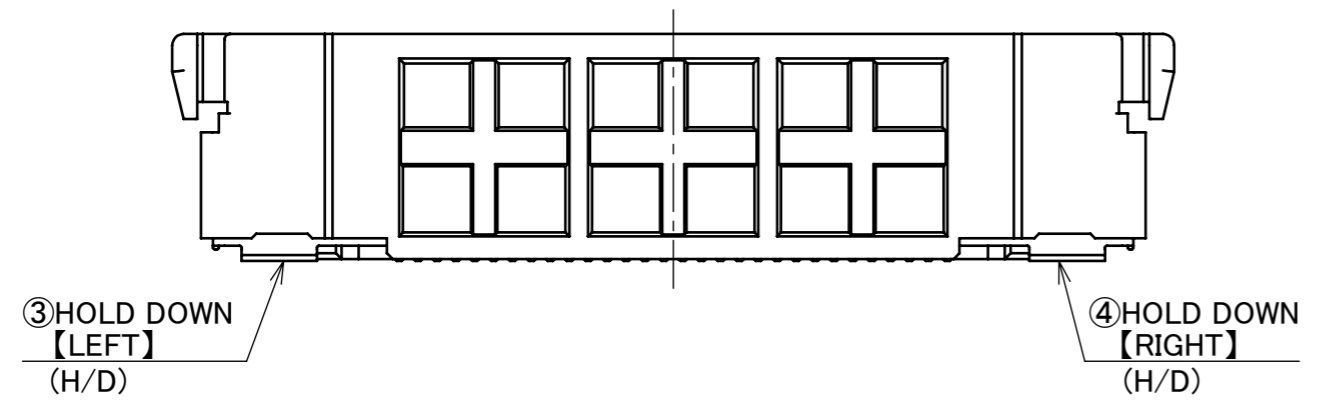
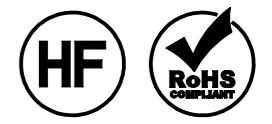
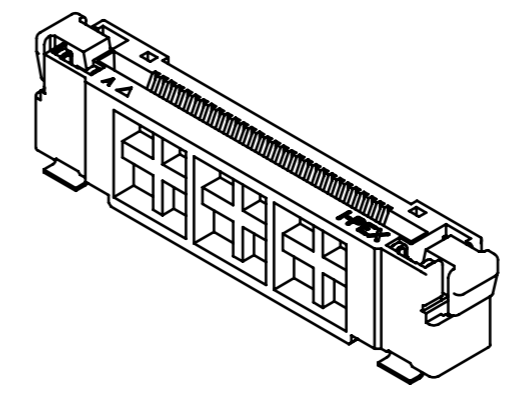
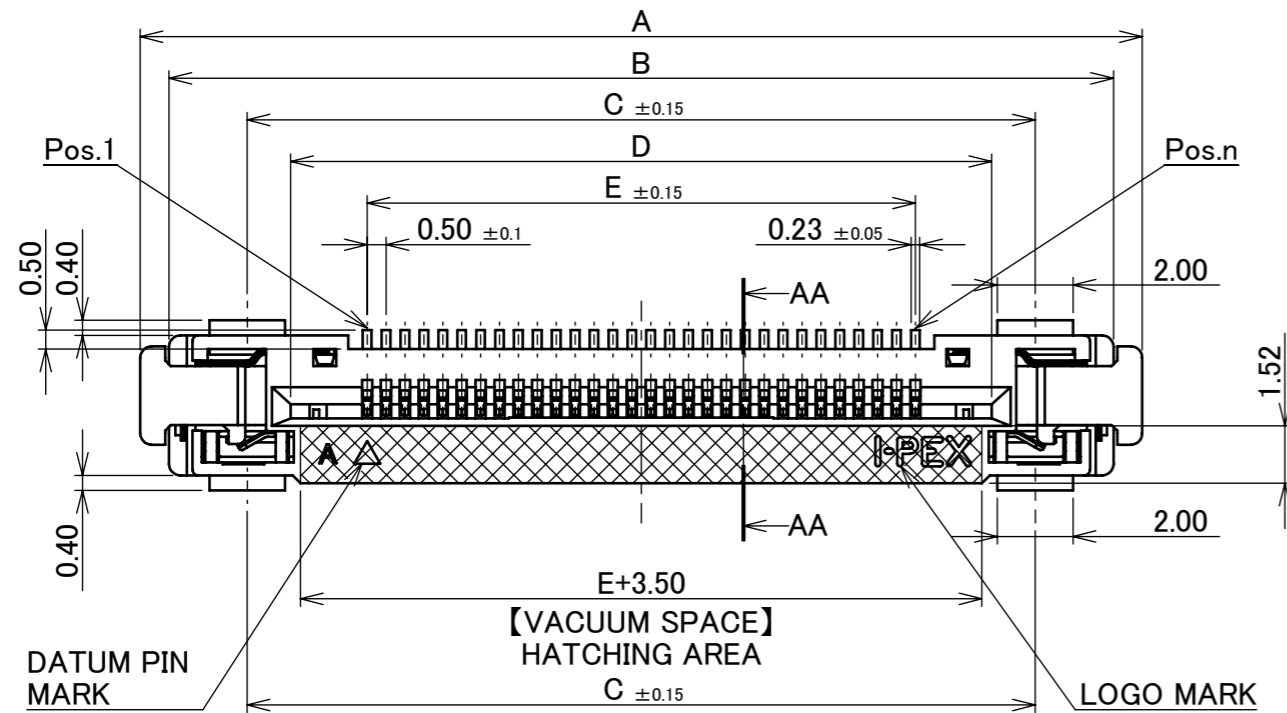


PART NO.	Pos.	A	B	C	D	E
20539-016E-01	16	19.50	17.98	13.84	11.56	7.50
20539-022E-01	22	22.50	20.98	16.84	14.56	10.50
20539-024E-01	24	23.50	21.98	17.84	15.56	11.50
20539-026E-01	26	24.50	22.98	18.84	16.56	12.50
20539-030E-01	30	26.50	24.98	20.84	18.56	14.50
20539-040E-01	40	31.50	29.98	25.84	23.56	19.50
20539-045E-01	45	34.00	32.48	28.34	26.06	22.00
20539-050E-01	50	36.50	34.98	30.84	28.56	24.50
20539-060E-01	60	41.50	39.98	35.84	33.56	29.50
20539-080E-01	80	51.50	49.98	45.84	43.56	39.50



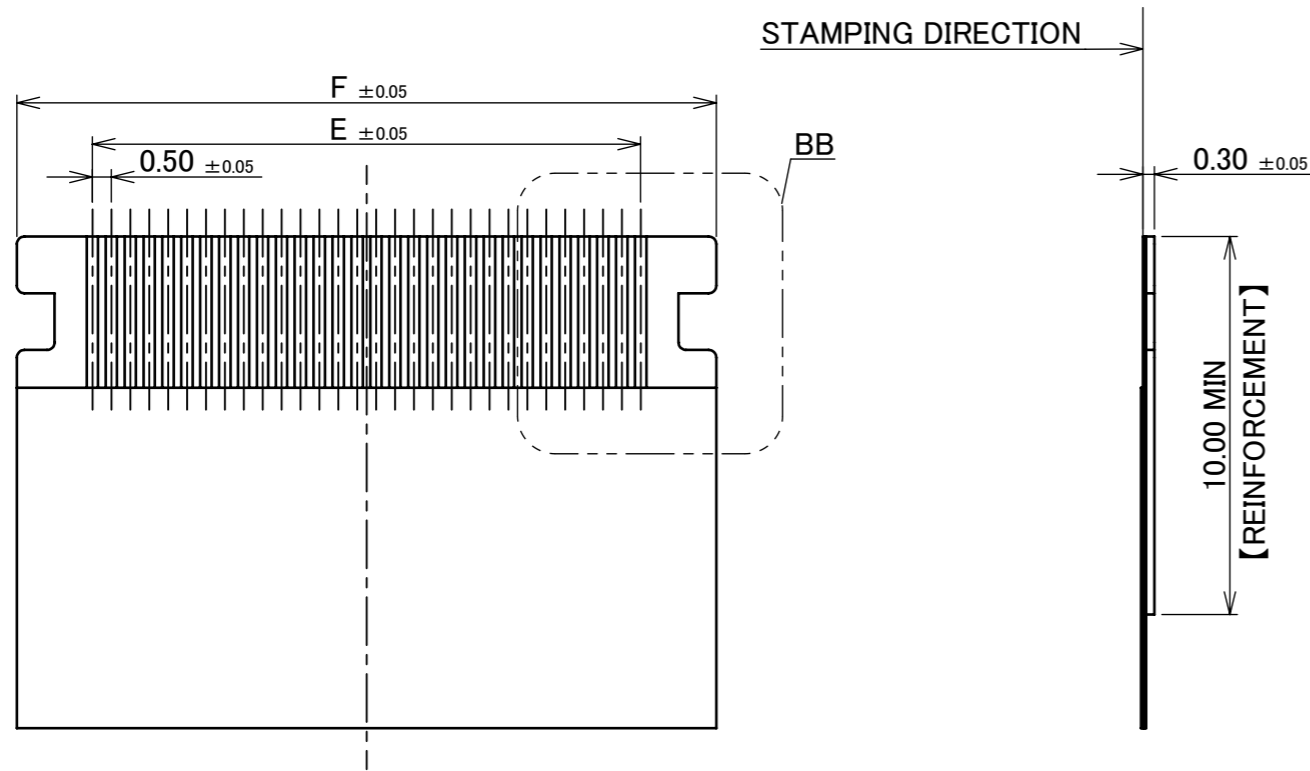
NO.	DISCRIPTION	MATERIAL	FINISH , REMARKS
4	HOLD DOWN [RIGHT]	PHOSPHOR BRONZE	Sn 2.00 μ m MIN. OVER Ni 1.00 μ m MIN.
3	HOLD DOWN [LEFT]	PHOSPHOR BRONZE	Sn 2.00 μ m MIN. OVER Ni 1.00 μ m MIN.
2	CONTACT	PHOSPHOR BRONZE	CONTACT AREA : Au 0.10 μ m MIN. OVER Ni 1.00 μ m MIN. SOLDERING AREA : Au 0.03 μ m MIN. OVER Ni 1.00 μ m MIN.
1	HOUSING	LCP	UL94V-0, BLACK

REV.	ECN	BY	DATE	APP.	APP.	PROJECTION	SERIES No.	TITLE	SCALE
10	Z200420	K.H	2020/04/15	Y.S	ANGLE	±2°	6 OVER 30 MAX.	±0.3	CUSTOMER COPY
9	Z181052	T.O	2018/08/09	H.I	6 MAX.	±0.2	30 OVER 120 MAX.	±0.5	
8	Z180217	M.K	2018/02/21	H.I	GENERAL TOLERANCE.			EVAFLEX® 5-SE-VT	5:1
7	Z160846	M.I	2016/07/15	Y.S	DWG.	M.Ishimaru	DATE		2011/11/29
6	Z141050	M.I	2014/09/11	E.K	CHK.	J.Tateishi			mm
5	Z140205	M.I	2014/03/04	E.K	APP.	Y.Hashimoto			SIZE
REVISION RECORD							DWG. No.	20539	A3
									SHEET 1/5
									REV. 10

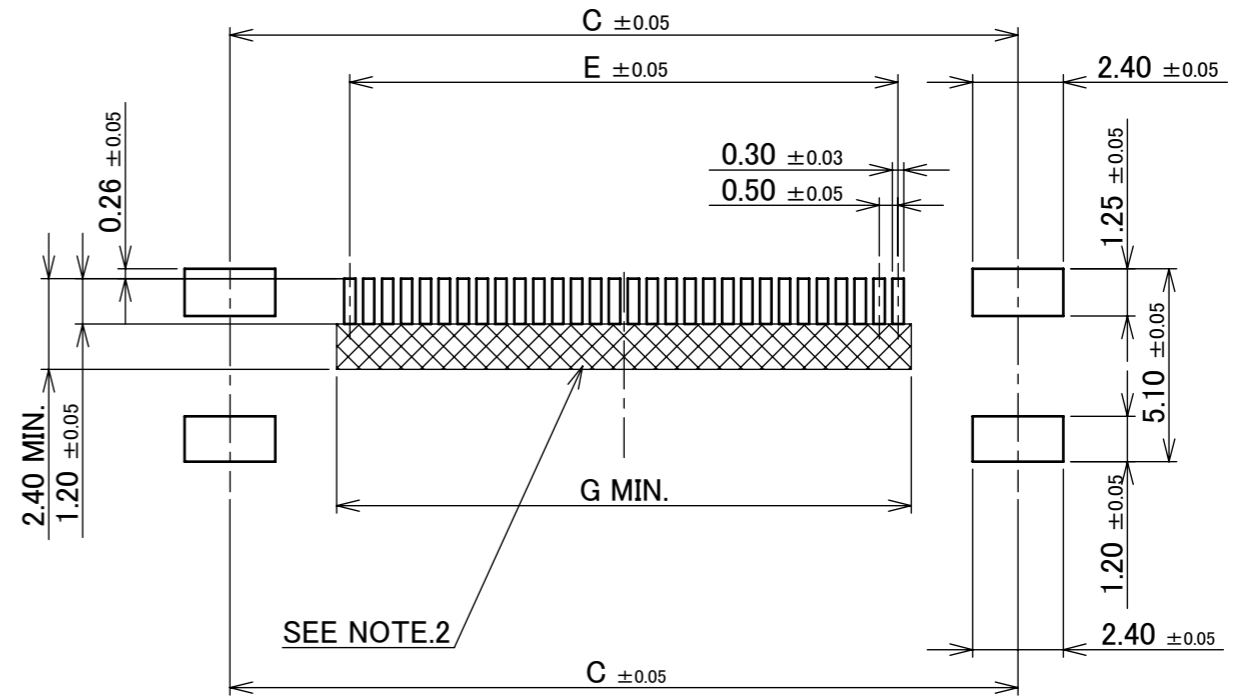
ITEMS	SPECIFICATION
RATING VOLTAGE	50V AC/DC (PER A CONTACT)
RATING AMPERAGE (AVAILABLE UP TO 15PIN)	0.50A AC/DC (PER A CONTACT)
RATING AMPERAGE (AVAILABLE FOR ALL PIN)	0.35A AC/DC (PER A CONTACT)
OPERATING TEMPERATURE	233~358K(-40°C~+85°C)
OPERATING HUMIDITY	85%R.H. MAX.
CONTACT RESISTANCE	INITIAL : 70mohm MAX. / AFTER TEST : \triangleleft 40mohm MAX.
INSULATION RESISTANCE	500Mohm MIN.
DIELECTRIC WITHSTANDING VOLTAGE	AC250V 1min
DURABILITY	30 CYCLES
MATING FORCE (INITIAL / 30 CYCLES)	16P: 9.6N MAX., 22P: 13.2N MAX., 24P: 14.4N MAX., 26P: 15.6N MAX., 30P: 18.0N MAX., 40P: 24.0N MAX., 45P: 27.0N MAX., 50P: 30.0N MAX., 60P: 36.0N MAX., 80P: 48.0N MAX.
UNMATING FORCE (INITIAL / 30 CYCLES)	16P: 1.44N MIN., 22P: 1.98N MIN., 24P: 2.16N MIN., 26P: 2.34N MIN., 30P: 2.70N MIN., 40P: 3.60N MIN., 45P: 4.05N MIN., 50P: 4.50N MIN., 60P: 5.40N MIN., 80P: 7.20N MIN.
FPC/FFC RETENTION FORCE	25.0N MIN.
COPLANARITY	0.10mm MAX.
PRODUCT SPECIFICATION	PRS-1620
TEST REPORT	TR-12047
PACKING STANDARD	300-967
INSTRUCTION MANUAL	HIM-11002
APPEARANCE CRITERIA No.	QLS-A***

ANGLE	$\pm 2^\circ$	6 OVER 30 MAX.	± 0.3	PROJECTION 	SERIES No. 6	CUSTOMER COPY
6 MAX.	± 0.2	30 OVER 120 MAX.	± 0.5			
GENERAL TOLERANCE.				TITLE EVAFLEX® 5-SE-VT	SCALE 1:X	UNIT mm
DWG.	DATE					
CHK.						
APP.						
				DWG. No.	20539	SIZE A3
				SHEET 2/5		REV. 10

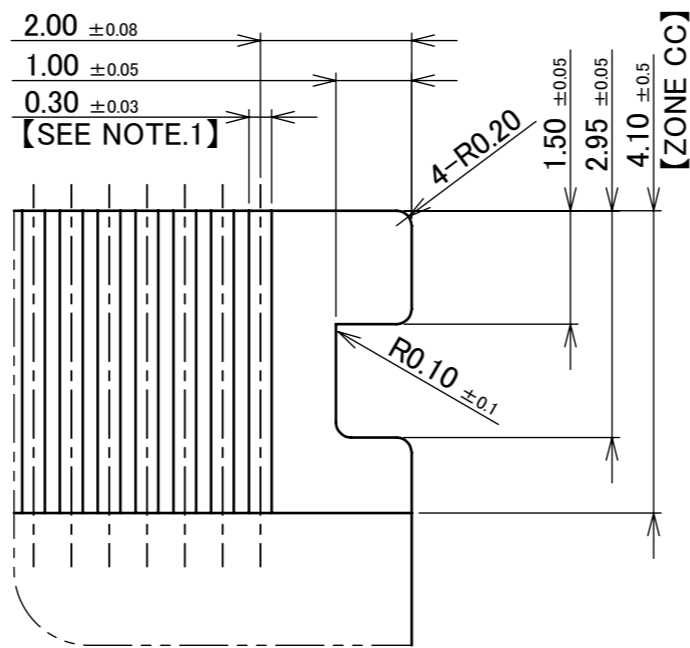
PART NO.	Pos.	C	E	F	G
20539-016E-01	16	13.84	7.50	11.50	8.20
20539-022E-01	22	16.84	10.50	14.50	11.20
20539-024E-01	24	17.84	11.50	15.50	12.20
20539-026E-01	26	18.84	12.50	16.50	13.20
20539-030E-01	30	20.84	14.50	18.50	15.20
20539-040E-01	40	25.84	19.50	23.50	20.20
20539-045E-01	45	28.34	22.00	26.00	22.70
20539-050E-01	50	30.84	24.50	28.50	25.20
20539-060E-01	60	35.84	29.50	33.50	30.20
20539-080E-01	80	45.84	39.50	43.50	40.20



RECOMMENDED FPC/FFC LAYOUT



RECOMMENDED PCB LAYOUT & METAL MASK LAYOUT
METAL MASK THICKNESS : t=0.12mm

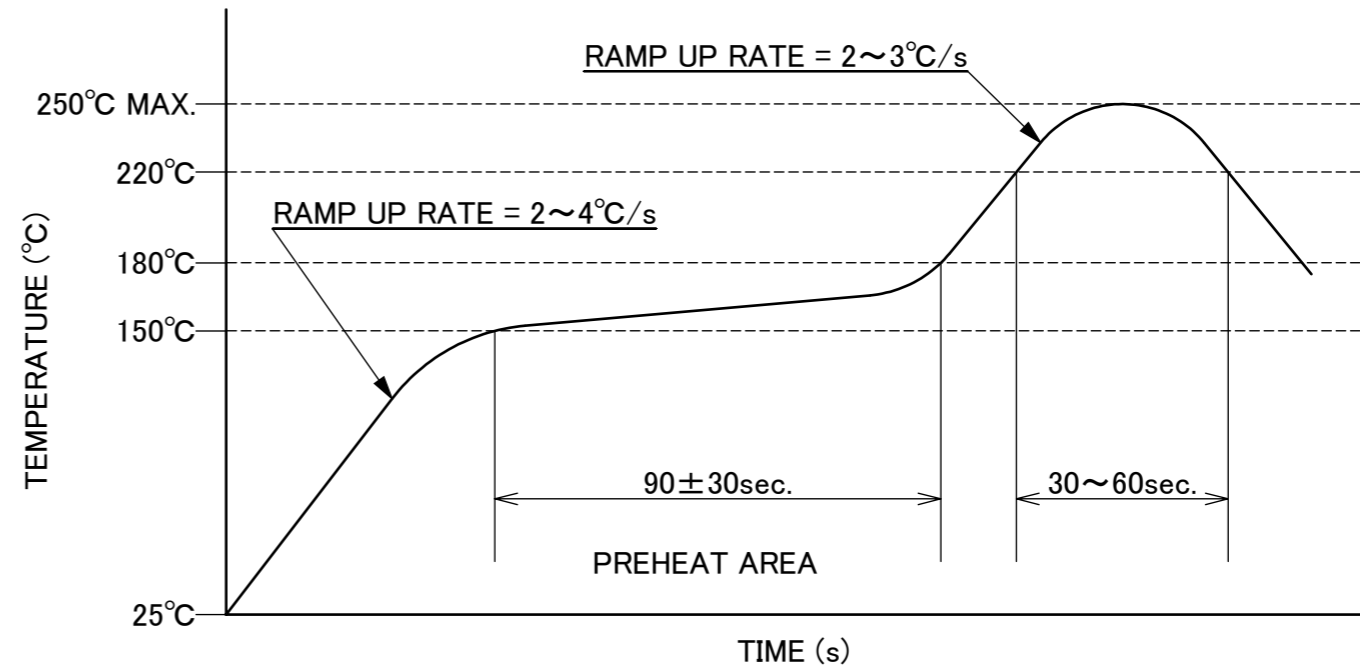
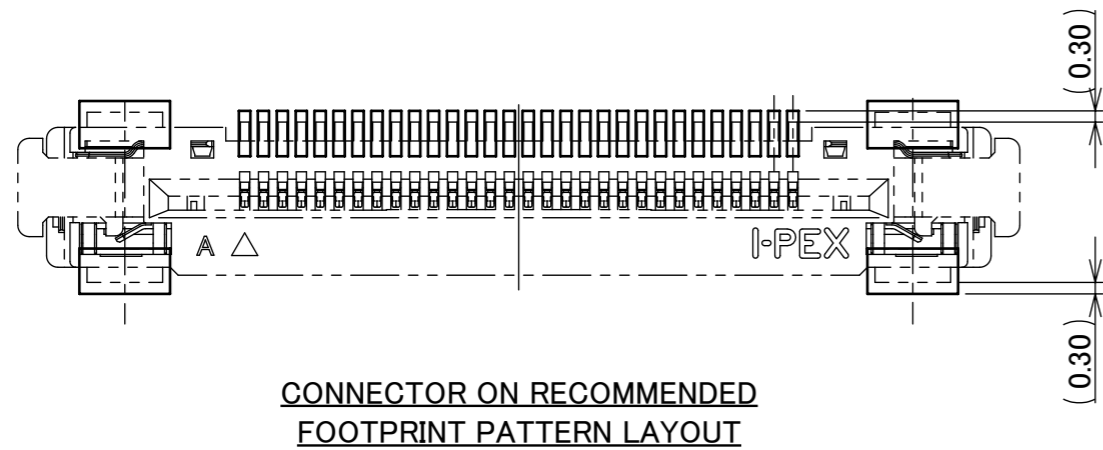


DETAIL BB
(S=10//1)

NOTES.

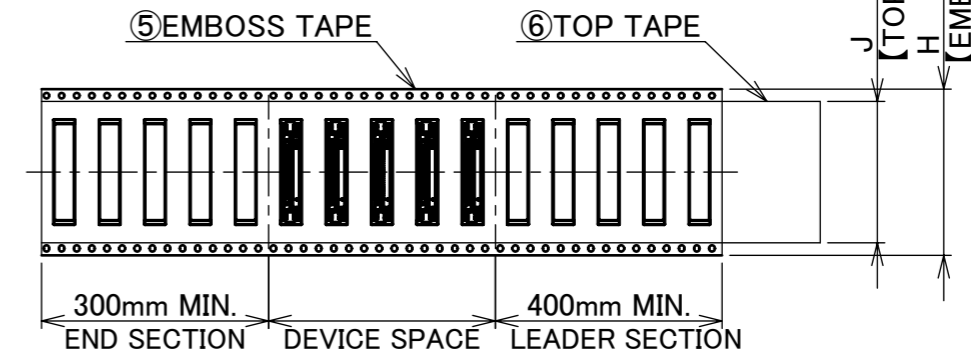
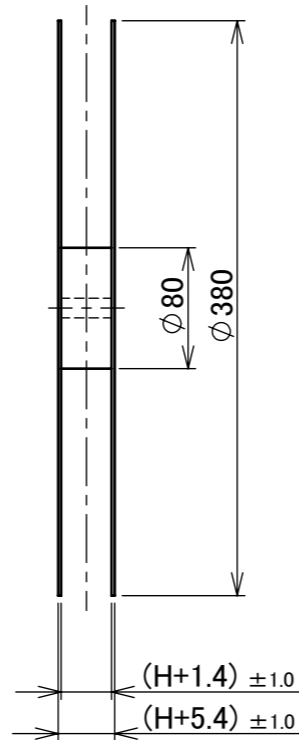
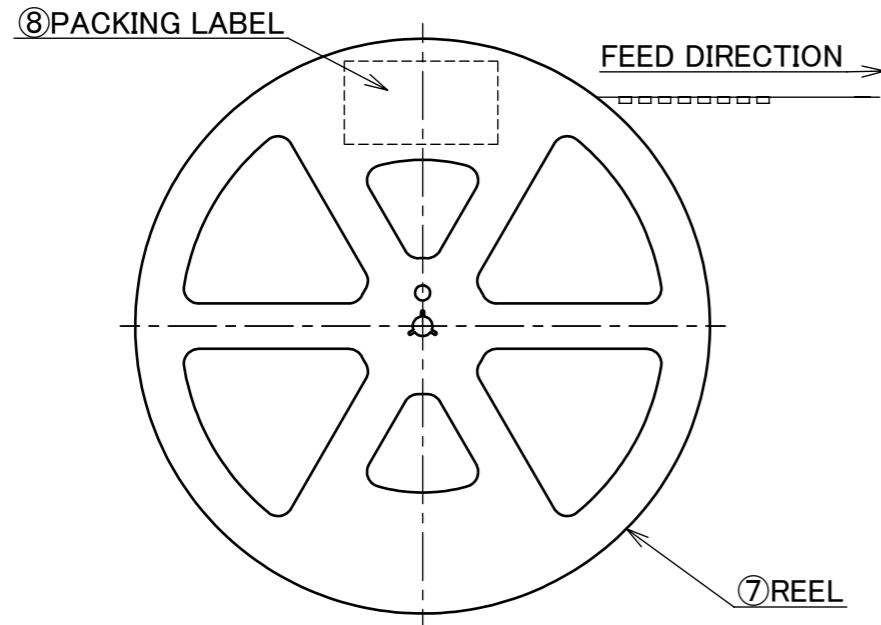
- CONTROL DIMENSION OF [ZONE CC] WITHIN 0.30±0.03.
- SOLDER RESIST SHALL BE COATED IN CASE OF RUNNING TRACES ON THIS FOOTPRINT PATTERN PROHIBITION AREA.

ANGLE	±2°	6 OVER 30 MAX.	±0.3	PROJECTION	SERIES No.	CUSTOMER COPY
6 MAX.	±0.2	30 OVER 120 MAX.	±0.5	⊕	6	
GENERAL TOLERANCE.				TITLE	SCALE	I-PEX
DWG.	DATE			EVAFLEX® 5-SE-VT	5:1	
CHK.					UNIT	
APP.				DWG. No.	mm	
					SIZE	SHEET 3/5 REV. 10
				20539	A3	

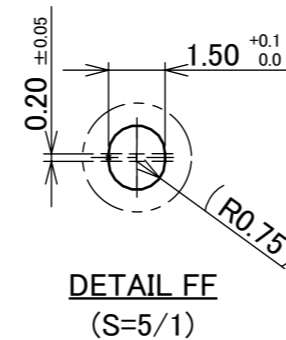
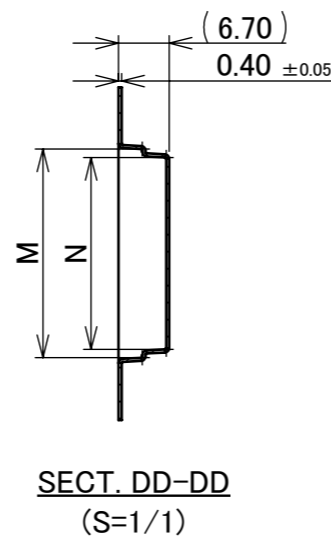
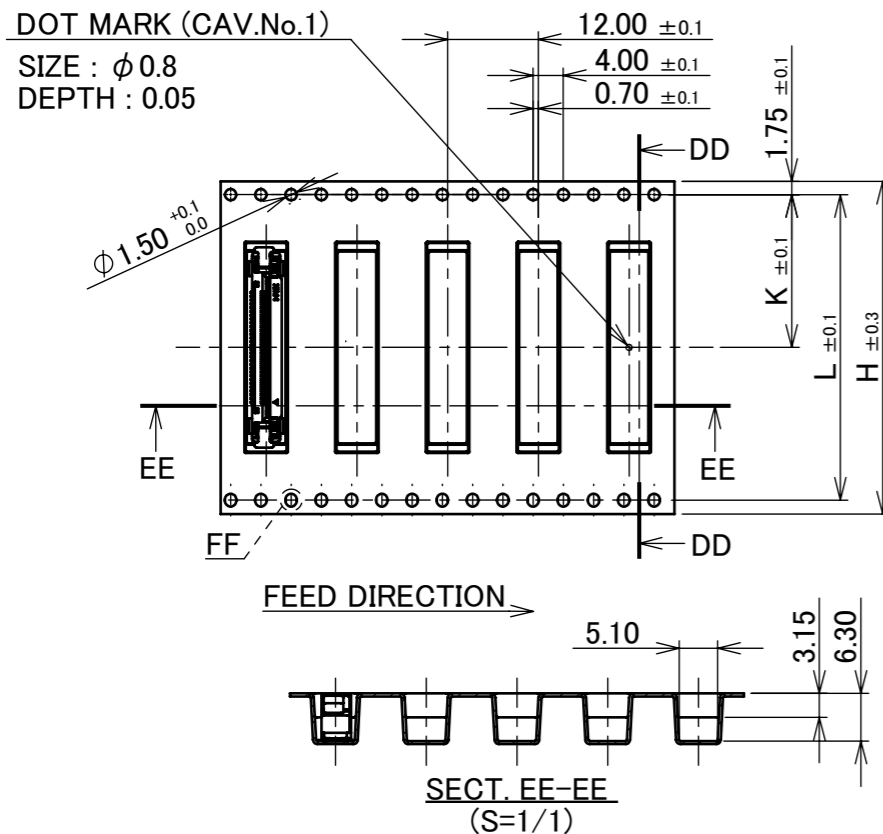


ANGLE	±2°	6 OVER 30 MAX.	±0.3	PROJECTION ⊕	SERIES No. 6	CUSTOMER COPY	
6 MAX.	±0.2	30 OVER 120 MAX.	±0.5				
GENERAL TOLERANCE.				TITLE		SCALE	I-PEX
DWG.	DATE			EVAFLEX® 5-SE-VT		5:1	
CHK.						UNIT	
APP.				DWG. No. 20539		mm	
						SIZE	SHEET 4/5 REV. 10
						A3	

DEVICE P/N	H	J	K	L	M	N	QTY. PER EMBOSS REEL (PIECES / REEL)	QTY. PER PACKING CARTON (REELS / CARTON)
20539-016E-01	32.00	26.00	14.20	28.40	20.60	18.38	1,000 / REEL	4 / CARTON = 4,000
20539-022E-01					23.60	21.38		3 / CARTON = 3,000
20539-024E-01					24.60	22.38		
20539-026E-01	44.00	37.00	20.20	40.40	25.60	23.38		
20539-030E-01					27.60	25.38		
20539-040E-01					32.60	30.38		
20539-045E-01					35.10	32.88		
20539-050E-01	56.00	49.00	26.20	52.40	37.60	35.38		
20539-060E-01					42.60	40.38		
20539-080E-01	72.00	65.50	34.20	68.40	52.60	50.38		



EMBOSS TAPE
(S=1/2)



NOTES.

3. TAPING SPECIFICATION FOLLOWS JIS C 0806 (IEC 60286-3).
4. MAKE EMPTY SECTION OF LEADER AND END ON EACH END OF THE TAPE.
5. TOP TAPE SHALL NOT STICK OUT FROM EMBOSS TAPE.
6. TOP TAPE SHALL NOT COVER FEED HOLE.

NO.	DISCRIPTION	MATERIAL	FINISH , REMARKS
8	PACKING LABEL	-	-
7	REEL	PS	WHITE
6	TOP TAPE	PET t=0.062 TRANSPARENCY	ANTI-STATIC TYPE
5	EMBOSS TAPE	PS t=0.4 TRANSPARENCY	ANTI-STATIC TYPE

ANGLE	±2°	6 OVER 30 MAX.	±0.3	PROJECTION	SERIES No.	CUSTOMER COPY
6 MAX.	±0.2	30 OVER 120 MAX.	±0.5		6	
GENERAL TOLERANCE.				TITLE	SCALE	
DWG.	DATE			EVAFLEX® 5-SE-VT	5:1	
CHK.					UNIT	
APP.					mm	
				DWG. No.	20539	SIZE
						A3
						SHEET 5/5
						REV. 10