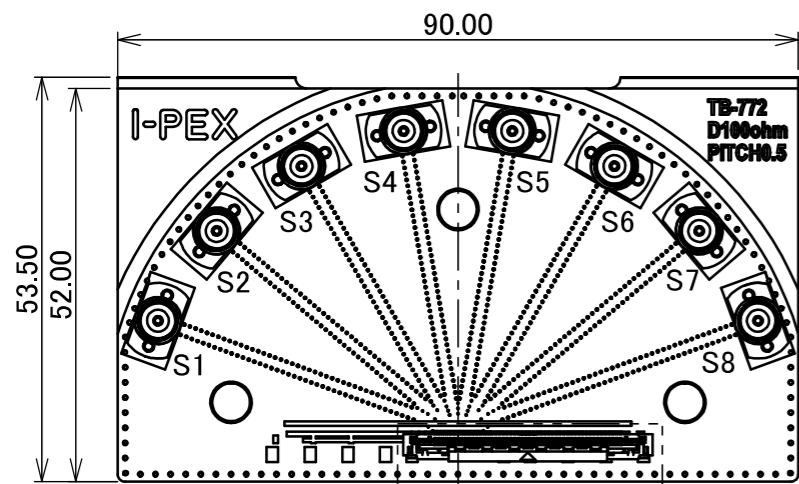
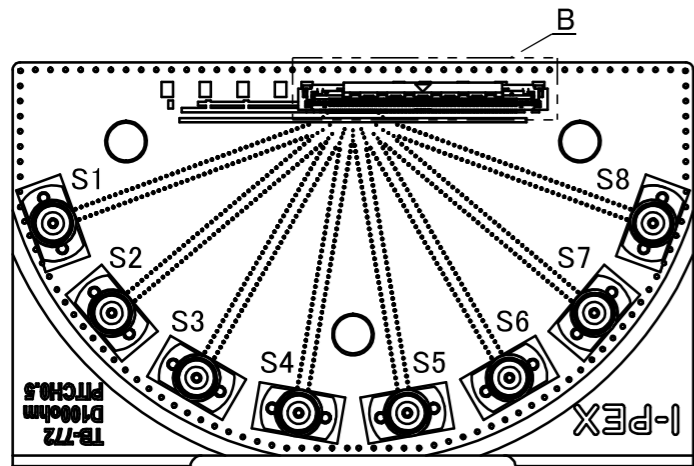


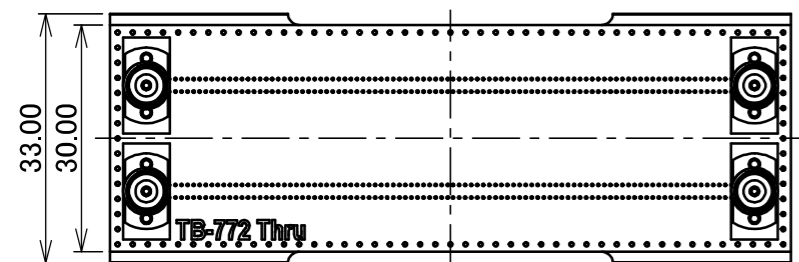
PART NO.	STRUCTURE
91573-0**B-001	MAIN BOARD A ASSEMBLY: 1PC MAIN BOARD B ASSEMBLY: 1PC 2xTHRU BOARD: 1PC



MAIN BOARD A ASSEMBLY



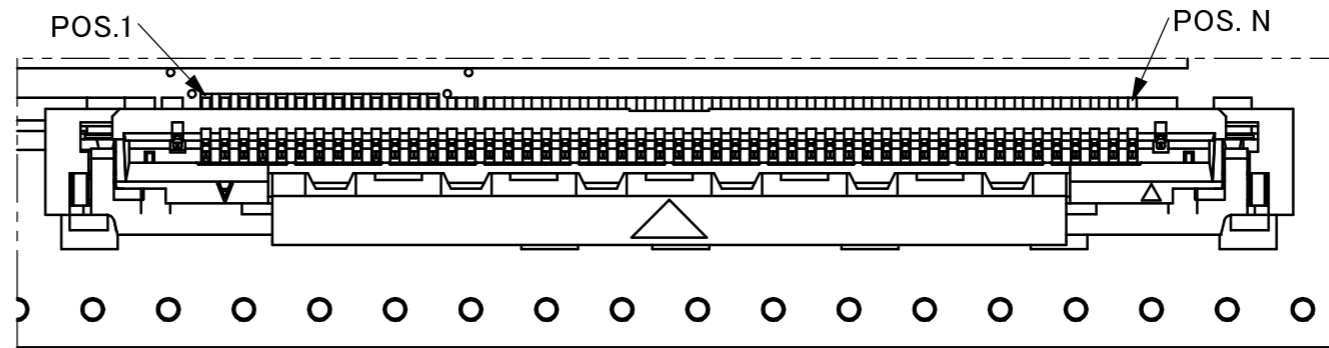
MAIN BOARD B ASSEMBLY



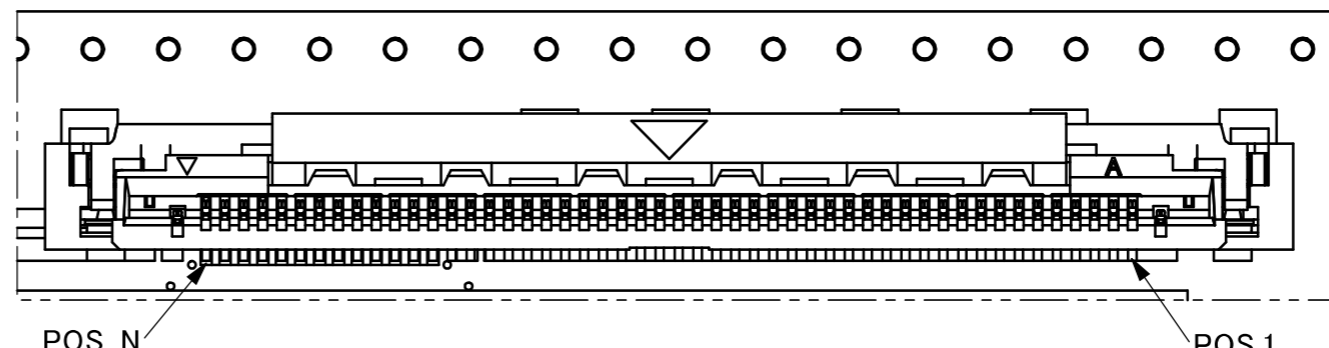
2xTHRU BOARD ASSEMBLY

- NOTES.
- FOR DETAILED INFORMATION ON THE STRUCTURE OF TEST BOARD TB-772, REFER TO REPORT #IER-001-10705.
 - CHARACTERISTIC IMPEDANCE: $50 \Omega \pm 10\%$ (SINGLE-ENDED), $T_r=17.5$ ps (10% - 90%)
 - REFERENCE FFC: SEE DRAWING OF EVAFLEX 5-SE-G VT (P/N: 20799)
 - MAXIMUM MEASUREMENT FREQUENCY: 40 GHz
 - OTHER PIN CONFIGURATIONS CAN BE PROVIDED UPON REQUEST.

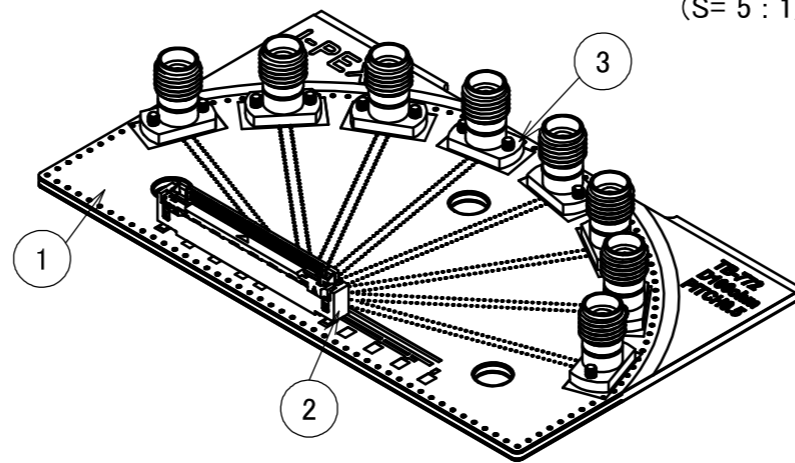
91573-0**B-001
POS. 20, 30, 40, 50, 60



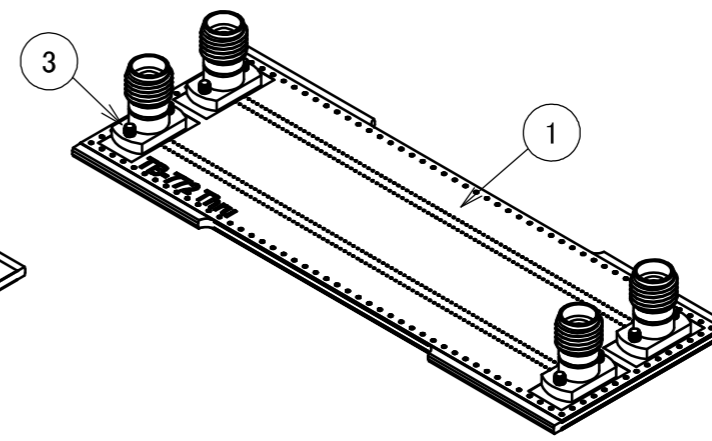
DETAIL A
(S= 5 : 1)



DETAIL B
(S= 5 : 1)



MAIN BOARD A/B ASSEMBLY

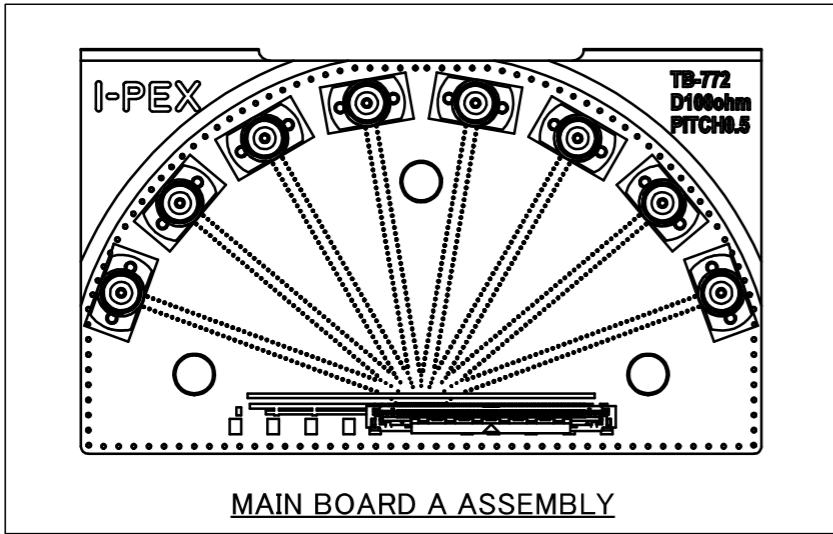


2xTHRU BOARD ASSEMBLY

MAIN BOARD A	
PIN POS.	ASSIGNMENT
1	GND
2	S1
3	S2
4	GND
5	S3
6	S4
7	GND
8	S5
9	S6
10	GND
11	S7
12	S8
13	GND

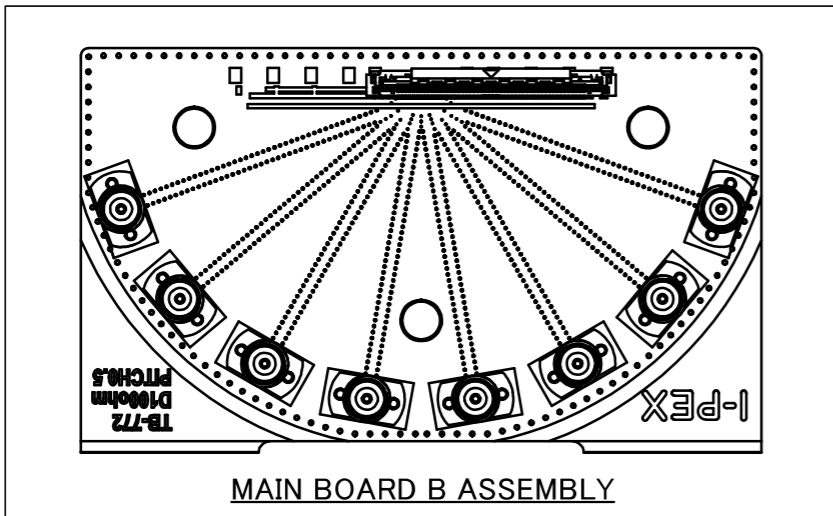
MAIN BOARD B	
PIN POS.	ASSIGNMENT
N	GND
N-1	S1
N-2	S2
N-3	GND
N-4	S3
N-5	S4
N-6	GND
N-7	S5
N-8	S6
N-9	GND
N-10	S7
N-11	S8
N-12	GND

NO.	DESCRIPTION	PART NO.	QTY	REMARKS																																															
3	2.92mm CONNECTOR	50104-J001	20	JACK																																															
2	CONNECTOR	20799-0**E-01	2	EVAFLEX 5-SE-G VT RECEPTACLE																																															
1	TEST BOARD	TB-772	1	TEST BOARD THICKNESS: 1.60mm																																															
<table border="1"> <tr> <td>ANGLE</td> <td>$\pm 2^\circ$</td> <td>6 OVER 30 MAX.</td> <td>± 0.3</td> <td rowspan="2">PROJECTION </td> <td rowspan="2">SERIES No. R2R9R0</td> <td rowspan="2">CUSTOMER COPY</td> </tr> <tr> <td></td> <td>6 MAX.</td> <td>± 0.2</td> <td>30 OVER 120 MAX.</td> <td>± 0.5</td> </tr> <tr> <td colspan="4">GENERAL TOLERANCE.</td> <td rowspan="3">TITLE EVAFLEX® 5-SE-G VT SI TEST BOARD ASSEMBLY</td> <td rowspan="3">SCALE 1:1</td> <td rowspan="3">UNIT mm</td> </tr> <tr> <td>DWG.</td> <td>T.Onishi</td> <td>DATE</td> <td>2024/08/28</td> </tr> <tr> <td>CHK.</td> <td>M.Muro</td> <td></td> <td></td> </tr> <tr> <td>0</td> <td>Z241142</td> <td>T.O</td> <td>2024/08/28</td> <td>APP.</td> <td>DWG. No.</td> <td>91573</td> <td>SIZE A3</td> <td>SHEET 1/2</td> <td>REV. 0</td> </tr> <tr> <td colspan="4">REVISION RECORD</td> <td>APP.</td> <td>T.Masunaga</td> <td></td> <td></td> <td></td> <td></td> </tr> </table>					ANGLE	$\pm 2^\circ$	6 OVER 30 MAX.	± 0.3	PROJECTION 	SERIES No. R2R9R0	CUSTOMER COPY		6 MAX.	± 0.2	30 OVER 120 MAX.	± 0.5	GENERAL TOLERANCE.				TITLE EVAFLEX® 5-SE-G VT SI TEST BOARD ASSEMBLY	SCALE 1:1	UNIT mm	DWG.	T.Onishi	DATE	2024/08/28	CHK.	M.Muro			0	Z241142	T.O	2024/08/28	APP.	DWG. No.	91573	SIZE A3	SHEET 1/2	REV. 0	REVISION RECORD				APP.	T.Masunaga				
ANGLE	$\pm 2^\circ$	6 OVER 30 MAX.	± 0.3	PROJECTION 	SERIES No. R2R9R0	CUSTOMER COPY																																													
	6 MAX.	± 0.2	30 OVER 120 MAX.				± 0.5																																												
GENERAL TOLERANCE.				TITLE EVAFLEX® 5-SE-G VT SI TEST BOARD ASSEMBLY	SCALE 1:1	UNIT mm																																													
DWG.	T.Onishi	DATE	2024/08/28																																																
CHK.	M.Muro																																																		
0	Z241142	T.O	2024/08/28	APP.	DWG. No.	91573	SIZE A3	SHEET 1/2	REV. 0																																										
REVISION RECORD				APP.	T.Masunaga																																														

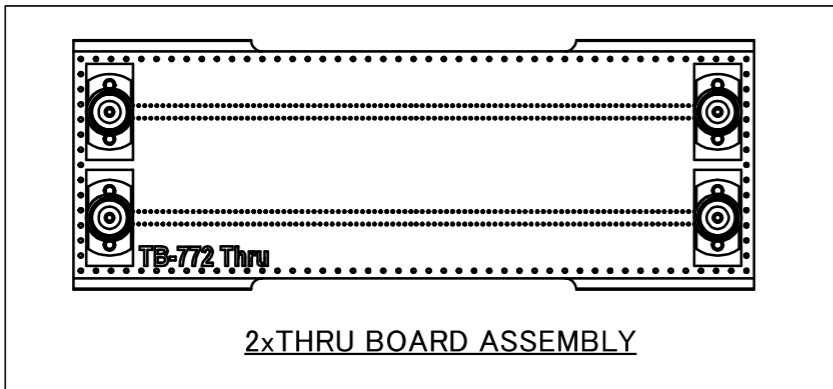


<LARGE BAG>
REUSABLE PLASTIC BAG

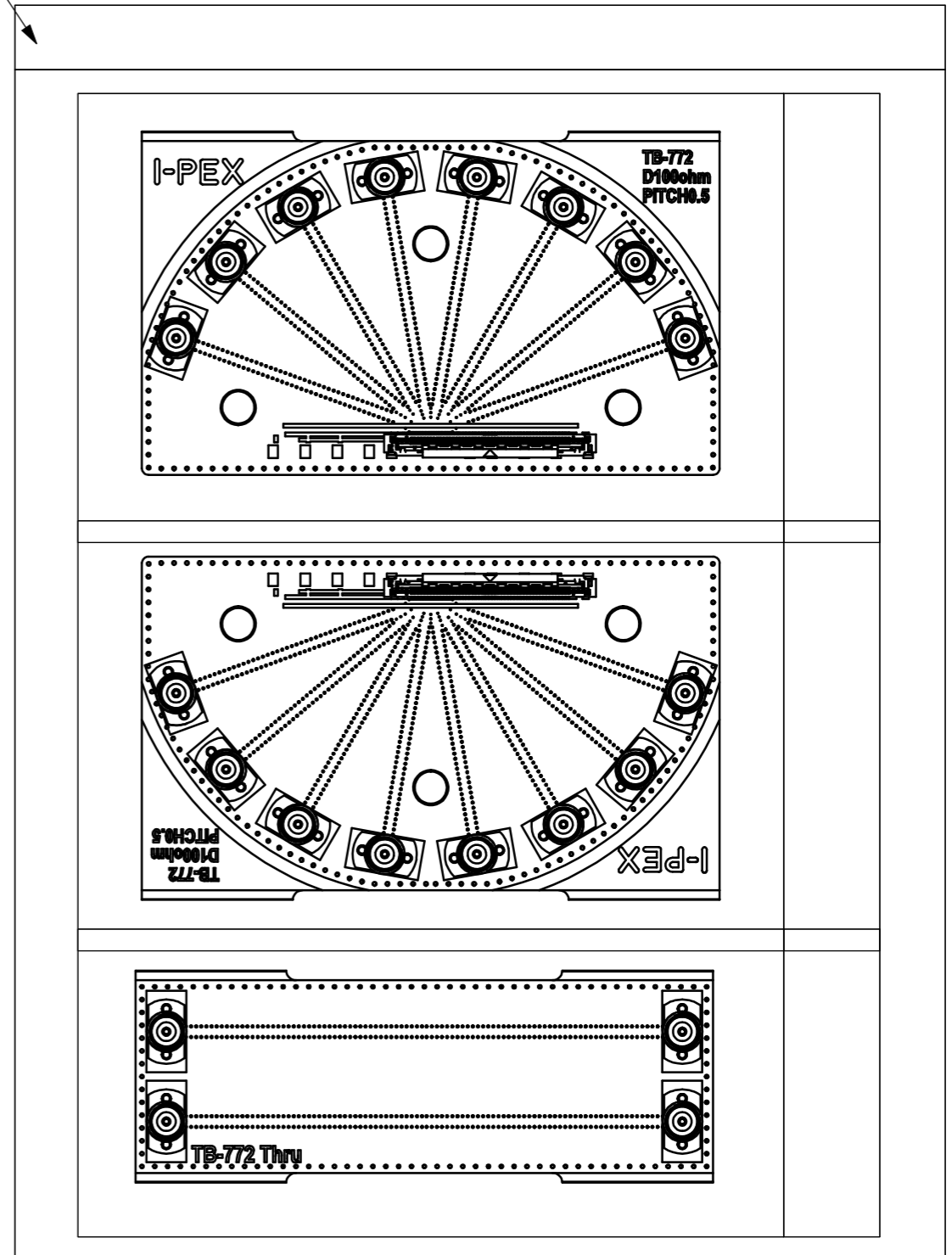
<SMALL BAG>
REUSABLE PLASTIC BAG



<SMALL BAG>
REUSABLE PLASTIC BAG



<SMALL BAG>
REUSABLE PLASTIC BAG



ANGLE	±2°	6 OVER 30 MAX.	±0.3	PROJECTION ⊕	SERIES No. R2R9R0	CUSTOMER COPY		
	6 MAX.	±0.2	30 OVER 120 MAX.			±0.5	SCALE 1:1	I-PEX
GENERAL TOLERANCE.				TITLE EVAFLEX® 5-SE-G VT SI TEST BOARD ASSEMBLY		UNIT mm		
DWG.	DATE			DWG. No. 91573		SIZE A3	SHEET 2/2	REV. 0
CHK.								
APP.								

PACKING STYLE