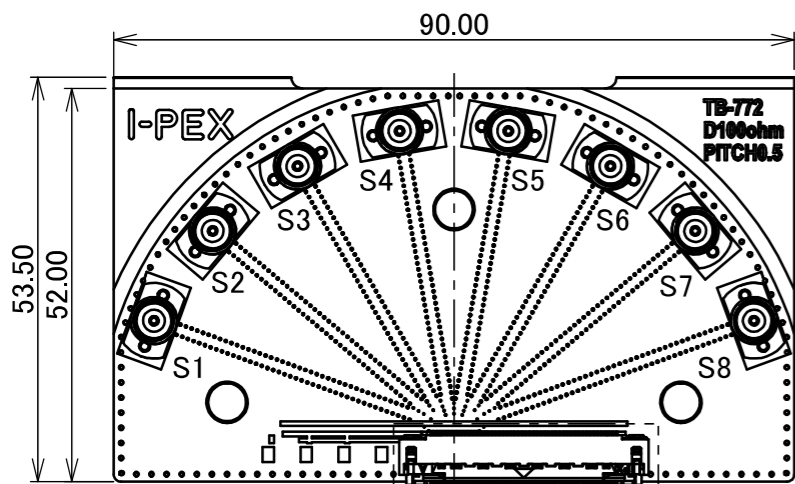
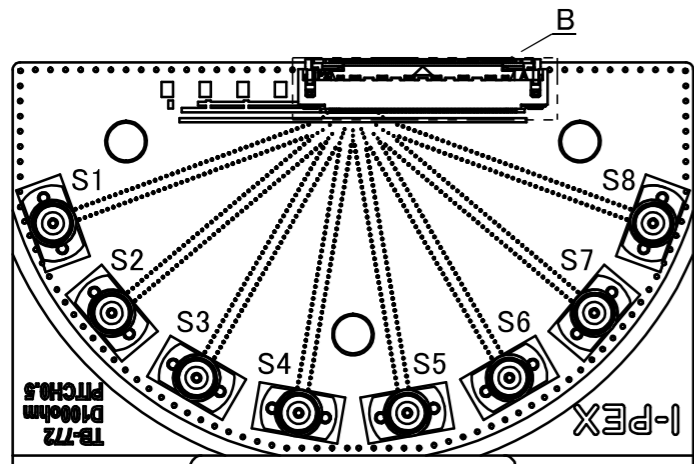


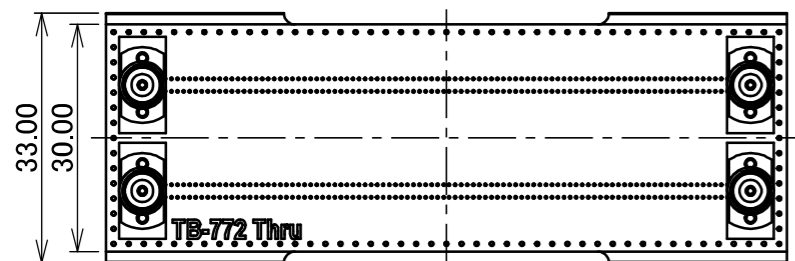
PART NO.	STRUCTURE
91572-0**B-001	MAIN BOARD A ASSEMBLY: 1PC MAIN BOARD B ASSEMBLY: 1PC 2xTHRU BOARD: 1PC



MAIN BOARD A ASSEMBLY

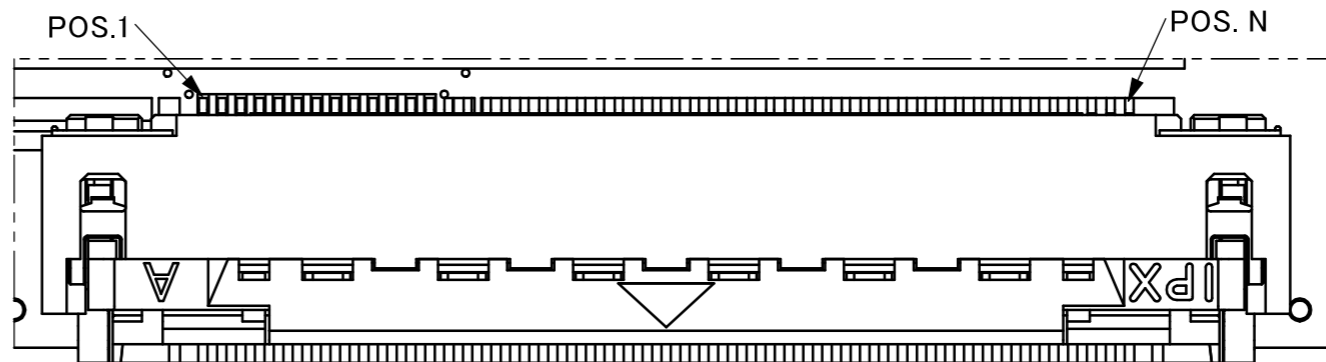


MAIN BOARD B ASSEMBLY

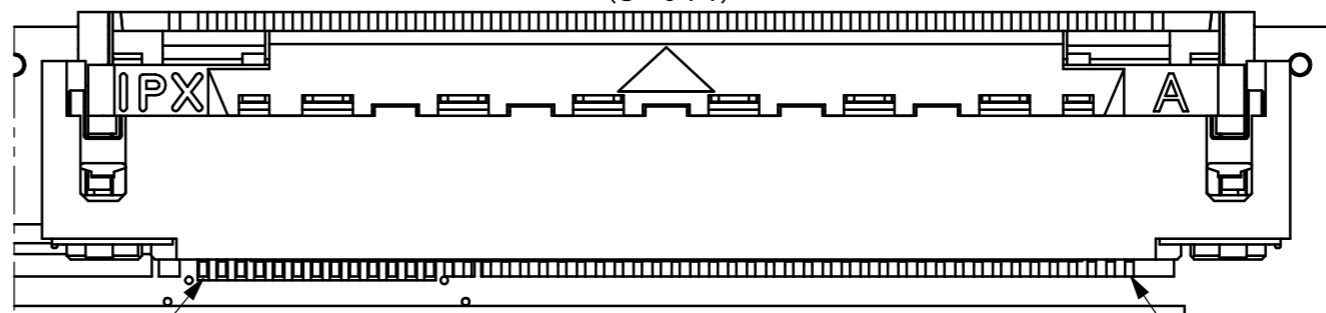


2xTHRU BOARD ASSEMBLY

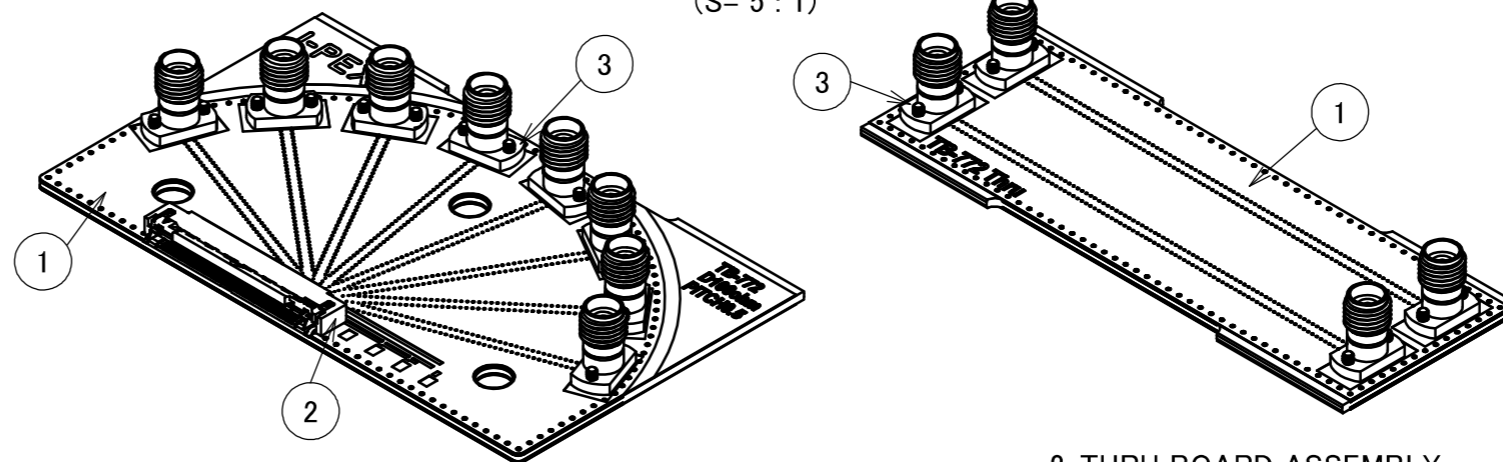
91572-0\*\*B-001  
POS. 30, 50



DETAIL A  
(S= 5 : 1)



DETAIL B  
(S= 5 : 1)



MAIN BOARD A/B ASSEMBLY

2xTHRU BOARD ASSEMBLY

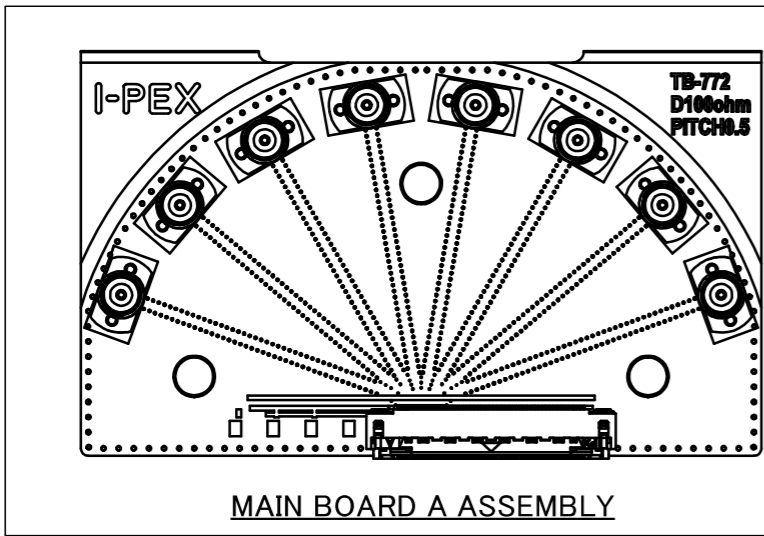
MAIN BOARD A	
PIN POS.	ASSIGNMENT
1	GND
2	S1
3	S2
4	GND
5	S3
6	S4
7	GND
8	S5
9	S6
10	GND
11	S7
12	S8
13	GND

MAIN BOARD B	
PIN POS.	ASSIGNMENT
N	GND
N-1	S1
N-2	S2
N-3	GND
N-4	S3
N-5	S4
N-6	GND
N-7	S5
N-8	S6
N-9	GND
N-10	S7
N-11	S8
N-12	GND

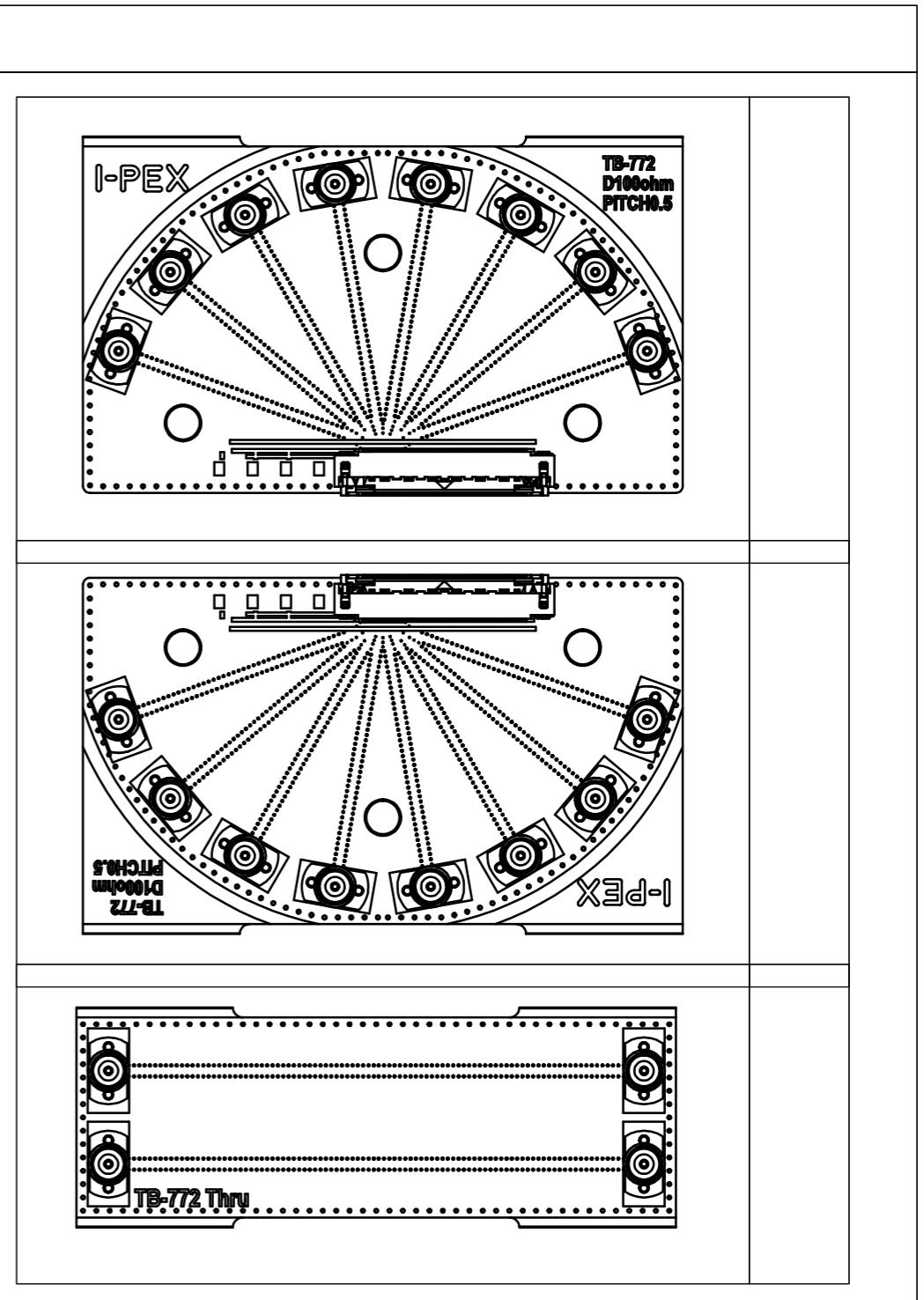
- NOTES.
- FOR DETAILED INFORMATION ON THE STRUCTURE OF TEST BOARD TB-772, REFER TO REPORT #IER-001-10705.
  - CHARACTERISTIC IMPEDANCE:  $50 \Omega \pm 10\%$  (SINGLE-ENDED),  $T_r=17.5$  ps (10% - 90%)
  - REFERENCE FFC: SEE DRAWING OF EVAFLEX 5-SE-G HT (P/N: 20899)
  - MAXIMUM MEASUREMENT FREQUENCY: 40 GHz
  - OTHER PIN CONFIGURATIONS CAN BE PROVIDED UPON REQUEST.

NO.	DESCRIPTION	PART NO.	QTY	REMARKS
3	2.92mm CONNECTOR	50104-J001	20	JACK
2	CONNECTOR	20899-0**E-01	2	EVAFLEX 5-SE-G HT RECEPTACLE
1	TEST BOARD	TB-772	1	TEST BOARD THICKNESS: 1.60mm

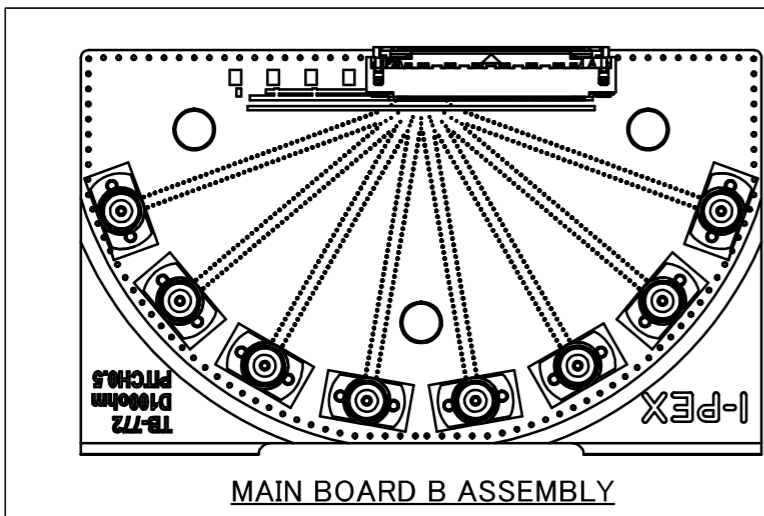
ANGLE	$\pm 2^\circ$	6 OVER 30 MAX.	$\pm 0.3$	PROJECTION 	SERIES No. R2R4R0	CUSTOMER COPY						
	6 MAX.	$\pm 0.2$	30 OVER 120 MAX.				$\pm 0.5$					
GENERAL TOLERANCE.				TITLE EVAFLEX® 5-SE-G HT SI TEST BOARD ASSEMBLY	SCALE 1:1	UNIT mm						
DWG.	T.Onishi	DATE	2024/08/28									
CHK.	M.Muro											
0	Z241141	T.O	2024/08/28	APP.	DWG. No.	91572	SIZE	A3	SHEET	1/2	REV.	0
REVISION RECORD				T.Masunaga								



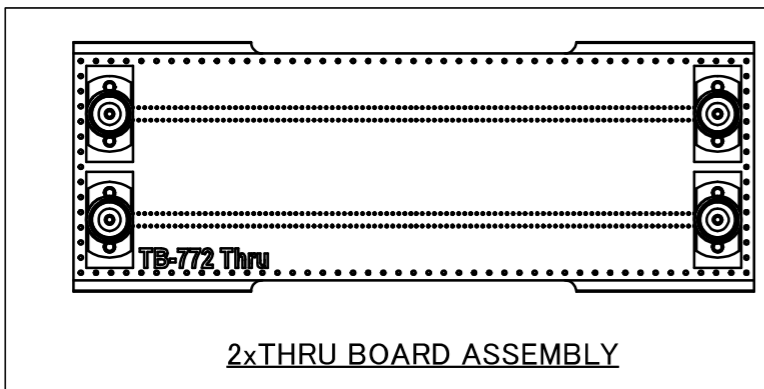
<LARGE BAG>  
REUSABLE PLASTIC BAG



<SMALL BAG>  
REUSABLE PLASTIC BAG



<SMALL BAG>  
REUSABLE PLASTIC BAG



<SMALL BAG>  
REUSABLE PLASTIC BAG

ANGLE	±2°	6 OVER 30 MAX.	±0.3	PROJECTION ⊕	SERIES No. R2R4R0	CUSTOMER COPY			
	6 MAX.	±0.2	30 OVER 120 MAX.						±0.5
GENERAL TOLERANCE.				TITLE		SCALE	<b>I-PEX</b>		
DWG.	DATE			EVAFLEX® 5-SE-G HT SI TEST BOARD ASSEMBLY		1:1			
CHK.				DWG. No. 91572		UNIT mm			
APP.						SIZE A3	SHEET 2/2	REV. 0	

**PACKING STYLE**