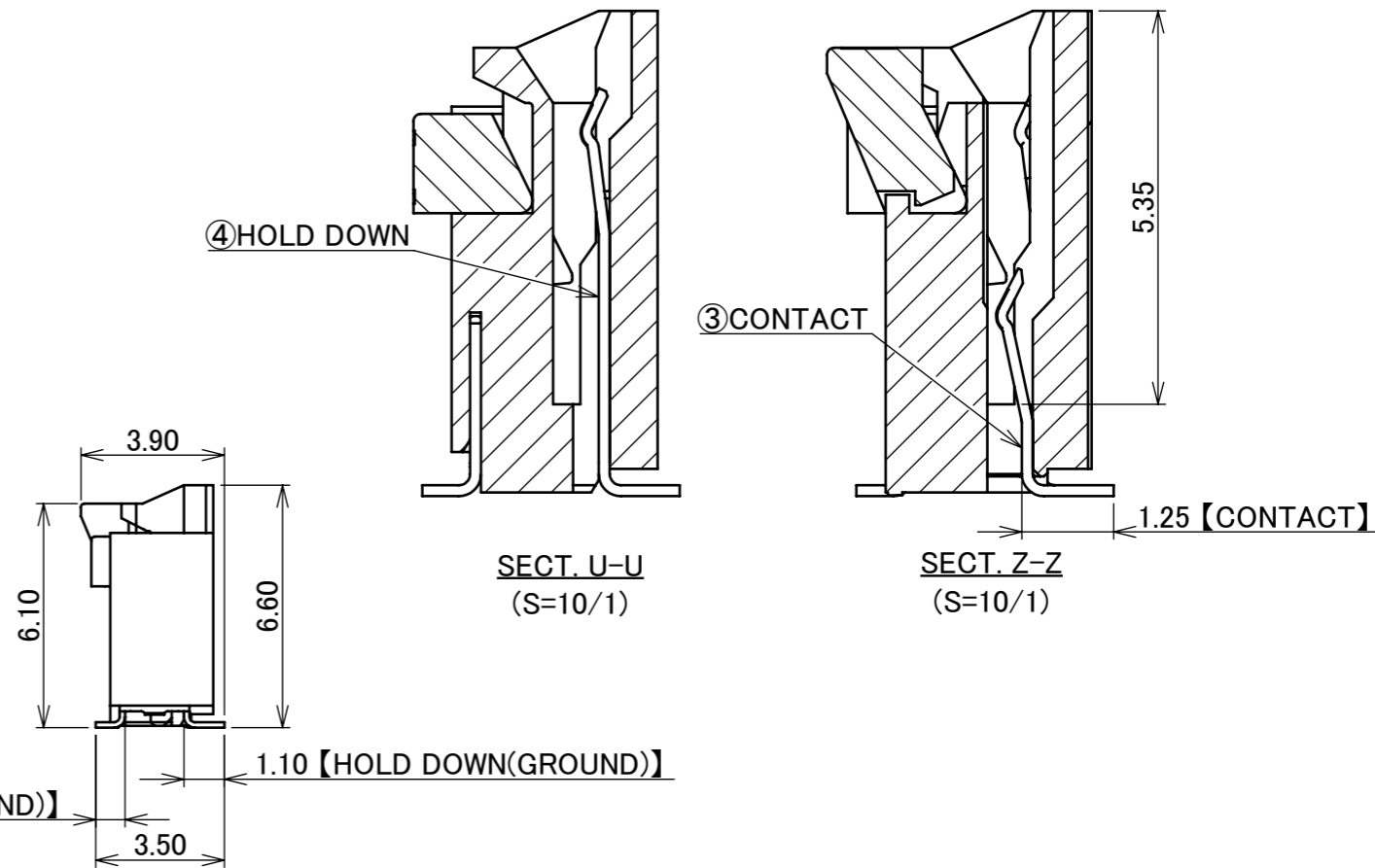


PART No.	A	B	C	D	E	J
20799-020E-01	18.00	14.80	13.56	9.50	6.00	15.70
20799-030E-01	23.00	19.80	18.56	14.50	11.00	20.70
20799-040E-01	28.00	24.80	23.56	19.50	16.00	25.70
20799-050E-01	33.00	29.80	28.56	24.50	21.00	30.70
20799-060E-01	38.00	34.80	33.56	29.50	26.00	35.70



NOTES.
 1. DENT SHAPE SHOWN ON DRAWING IS JUST FOR REFERENCE.
 DENT SHAPE AND QUANTITY MIGHT CHANGE FROM DIFFERENT PIN COUNT AND DIFFERENT TOOLING.

NO.	DISCRIPTION	MATERIAL	FINISH , REMARKS
4	HOLD DOWN	CORSON ALLOY	SOLDERING AREA : Au 0.03μm MIN. OVER Ni 1.00μm MIN.
3	CONTACT	CORSON ALLOY	CONTACT AREA AND SOLDERING AREA : Au 0.03μm MIN. OVER Ni 1.00μm MIN.
2	ACTUATOR	LCP	UL94V-0, BEIGE
1	HOUSING	LCP	UL94V-0, BEIGE

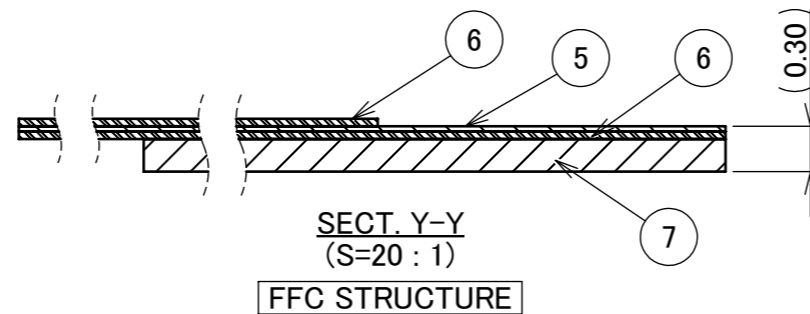
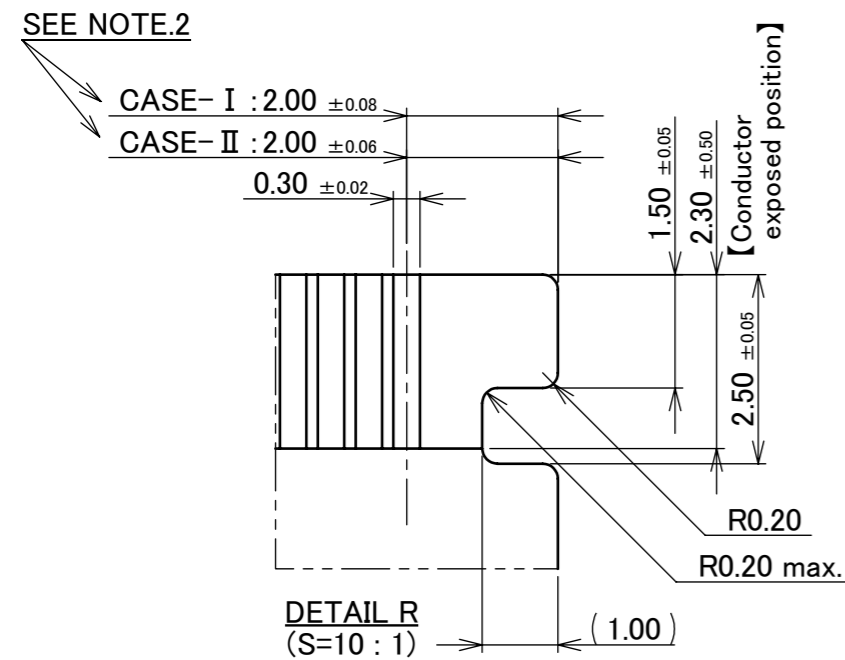
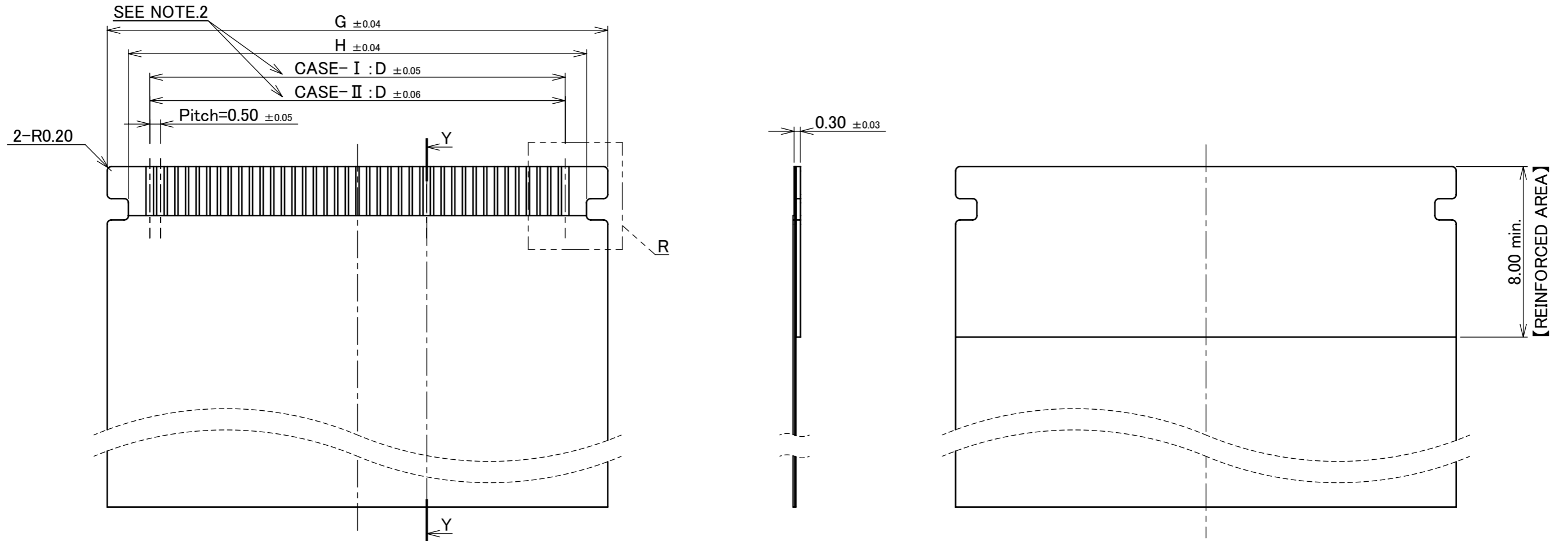
REV.	ECN	BY	DATE	APP.	APP.	DATE	DWG. No.	20799	SIZE	A3	SHEET	1/6	REV.	8
8	Z191644	A.K	Dec./17/'19	H.I	ANGLE	±2°	6 OVER 30 MAX.	±0.3	PROJECTION SERIES No. R8	TITLE EVAFLEX® 5-SE-GVT	SCALE 5:1	UNIT mm	CUSTOMER COPY	I-PEX
7	Z191612	A.K	Dec./11/'19	Y.S	6 MAX.	±0.2	30 OVER 120 MAX.	±0.5						
6	Z190872	T.T	July/02/'19	H.I	GENERAL TOLERANCE.									
5	Z190273	T.O	Feb./28/'19	H.I	DWG.	M.Muro	DATE	2016/10/25						
4	Z190057	K.T	Feb./11/'19	H.I	CHK.		DATE							
3	Z180115	K.T	Jan./29/'18	Y.S										
REVISION RECORD					APP.	Y.Shimada	DATE	2016/10/26						

ITEMS	SPECIFICATION
RATING VOLTAGE	50V AC/DC (PER CONTACT)
RATING AMPERAGE	0.35A AC/DC (PER CONTACT) AVAILABLE FOR ALL CONTACTS 0.5A AC/DC (PER CONTACT) AVAILABLE UP TO 15 CONTACTS
OPERATING TEMPERATURE	233~398K(-40°C~+125°C)
OPERATING HUMIDITY	85% MAX.(NON-CONDENSING)
CONTACT RESISTANCE	INITIAL : 60mohm MAX. / AFTER TEST : \triangleleft 40mohm MAX.
INSULATION RESISTANCE	500Mohm MIN.
DIELECTRIC WITHSTANDING VOLTAGE	AC250V 1min
DURABILITY	50TH CYCLES
FPC/FFC MATING FORCE (INITIAL / 50TH CYCLES)	20P : 15.00 N MAX. 30P : 22.00 N MAX. 40P : 29.00 N MAX. 50P : 36.00 N MAX. 60P : 43.00 N MAX.
FPC/FFC UNMATING FORCE (INITIAL / 50TH CYCLES)	20P : 2.00 N MIN. 30P : 2.70 N MIN. 40P : 3.40 N MIN. 50P : 4.10 N MIN. 60P : 4.80 N MIN.
FPC/FFC RETENTION FORCE (INITIAL / AFTER TEST)	20P : 11.00 N MIN. 30P : 11.70 N MIN. 40P : 12.40 N MIN. 50P : 13.10 N MIN. 60P : 13.80 N MIN.
COPLANARITY	0.10 MAX.
PRODUCT SPECIFICATION	PRS-2305
TEST REPORT	TR-17100
PACKING STANDARD	PST-18002
INSTRUCTION MANUAL	HIM-16039
APPEARANCE CRITERIA No.	QLS-A***

ANGLE	$\pm 2^\circ$	6 OVER 30 MAX.	± 0.3	PROJECTION 	SERIES No. R8	CUSTOMER COPY	
6 MAX.	± 0.2	30 OVER 120 MAX.	± 0.5				
GENERAL TOLERANCE.				TITLE EVAFLEX® 5-SE-GVT	SCALE	UNIT mm	
DWG.	DATE						
CHK.	DATE						
APP.	DATE						
				DWG. No.	20799	SIZE A3	
						SHEET 2/6	REV. 8

PART No.	D	G	H
20799-020E-01	9.50	13.50	11.50
20799-030E-01	14.50	18.50	16.50
20799-040E-01	19.50	23.50	21.50
20799-050E-01	24.50	28.50	26.50
20799-060E-01	29.50	33.50	31.50

RECOMMENDED FFC LAYOUT 【NON SHIELDED TYPE】



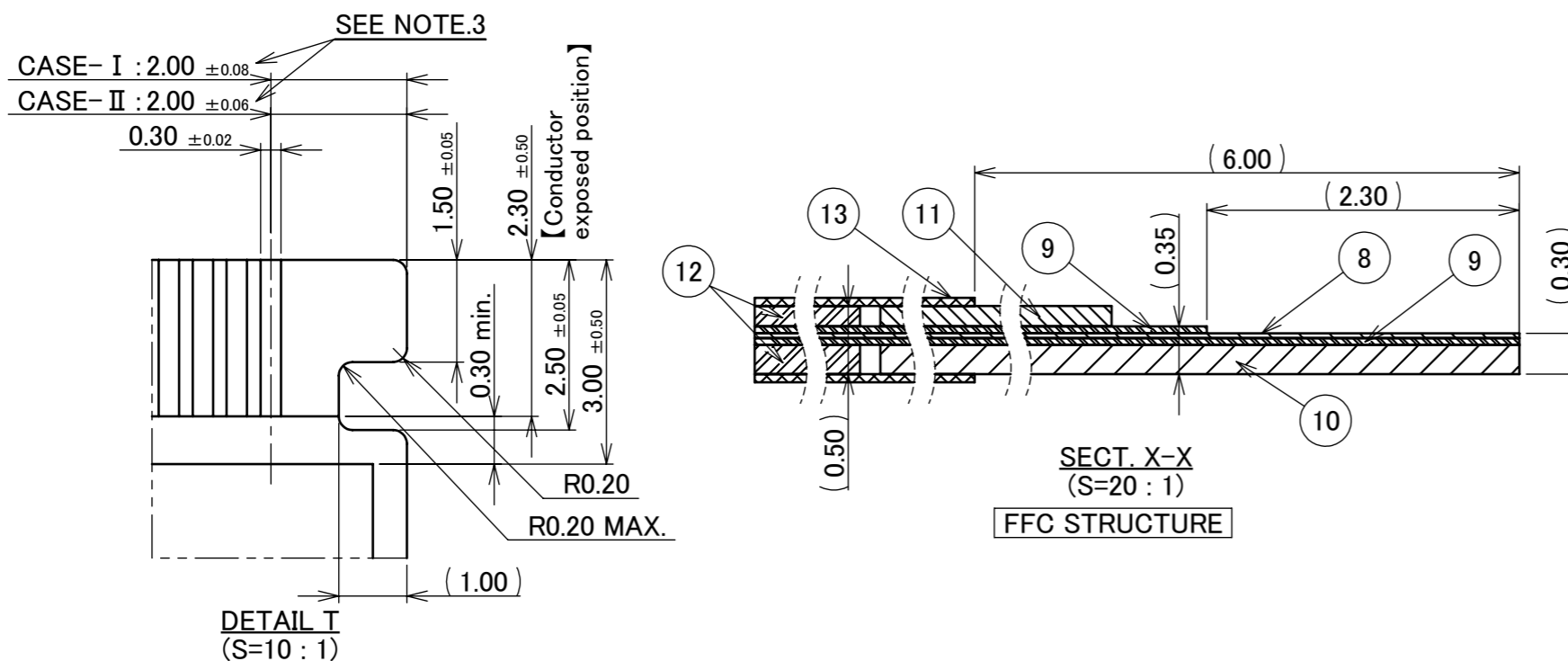
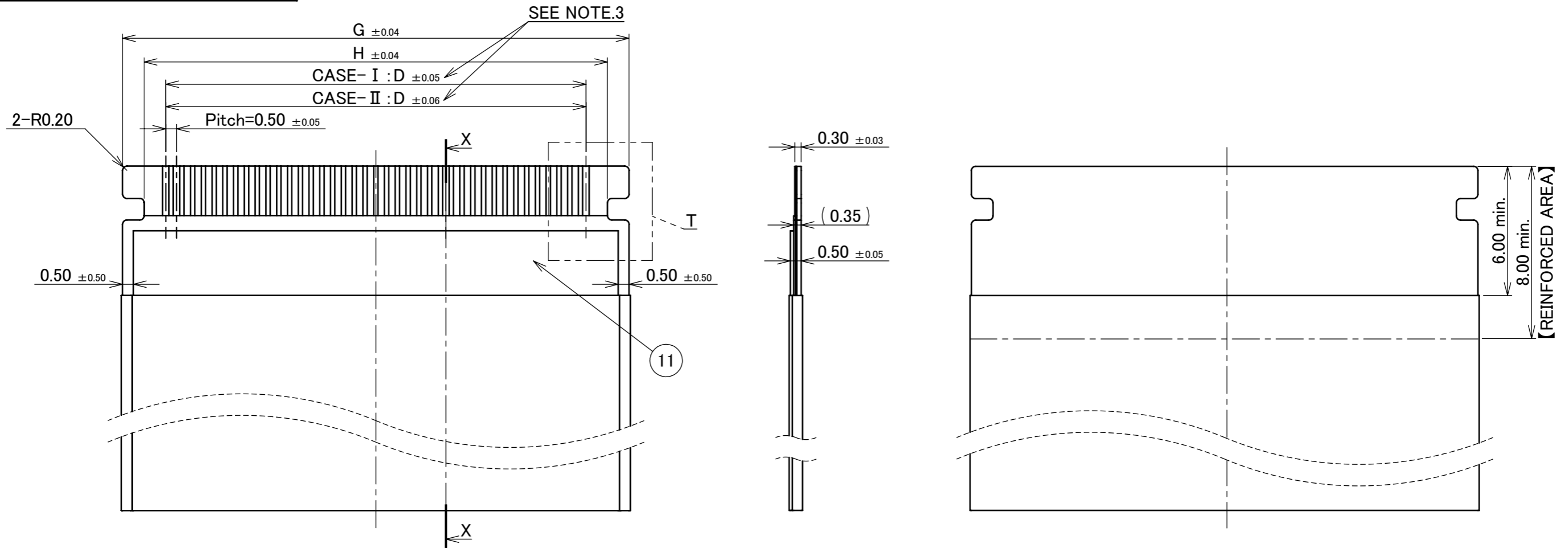
NOTES.
2. MANUFACTURE CASE- I or II

NO.	COMPONENTS	MATERIAL	FINISH
7	REINFORCED TAPE	ARBITRARY	
6	INSULATION FILM	ARBITRARY	
5	CONDUCTOR	COPPER ALLOY	CONTACT AREA : Au 0.05 μ m MIN. OVER Ni 0.5 μ m MIN.

ANGLE	$\pm 2^\circ$	6 OVER 30 MAX.	± 0.3	PROJECTION	SERIES No.	CUSTOMER COPY
6 MAX.	± 0.2	30 OVER 120 MAX.	± 0.5		R8	
GENERAL TOLERANCE.				TITLE	EVAFLEX® 5-SE-GVT	
DWG.	DATE				SCALE	5:1
CHK.	DATE				UNIT	mm
APP.	DATE				SIZE	A3
				DWG. No.	20799	SHEET 3/6 REV. 8

PART No.	D	G	H
20799-020E-01	9.50	13.50	11.50
20799-030E-01	14.50	18.50	16.50
20799-040E-01	19.50	23.50	21.50
20799-050E-01	24.50	28.50	26.50
20799-060E-01	29.50	33.50	31.50

RECOMMENDED FFC LAYOUT 【SHIELDED TYPE】



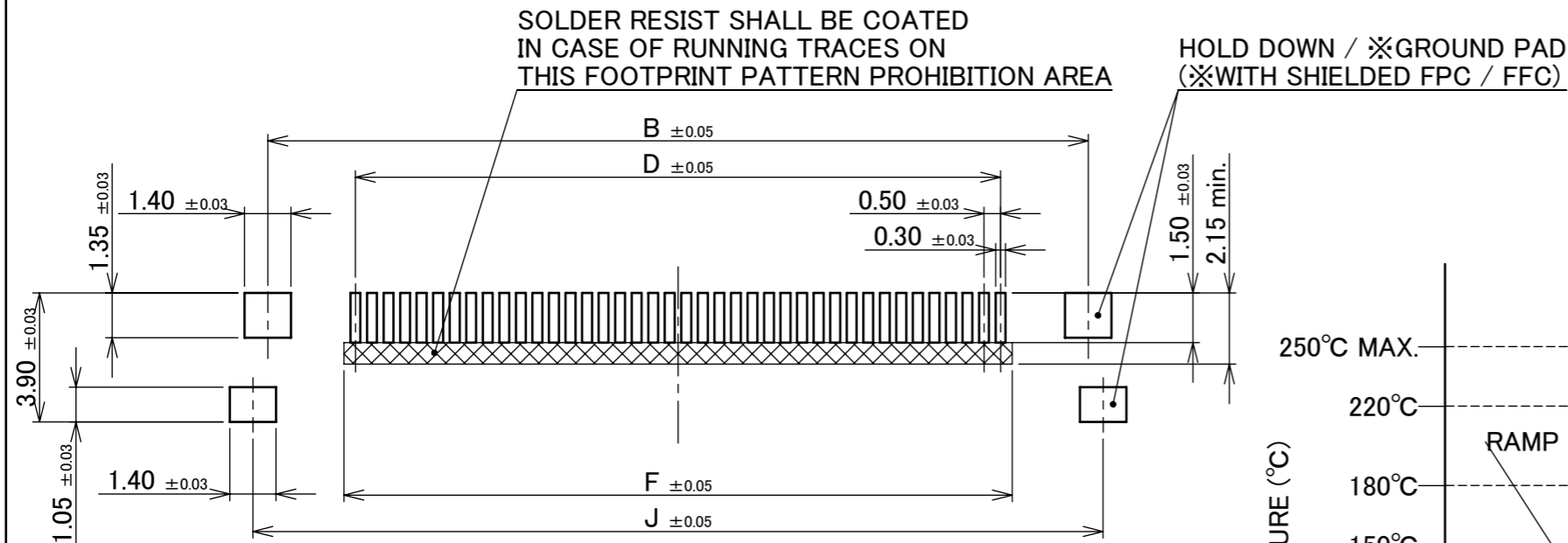
NOTES.

- 3. MANUFACTURE CASE- I or II
- 4. DIFFERENTIAL IMPEDANCE : $100 \pm 10 \Omega$

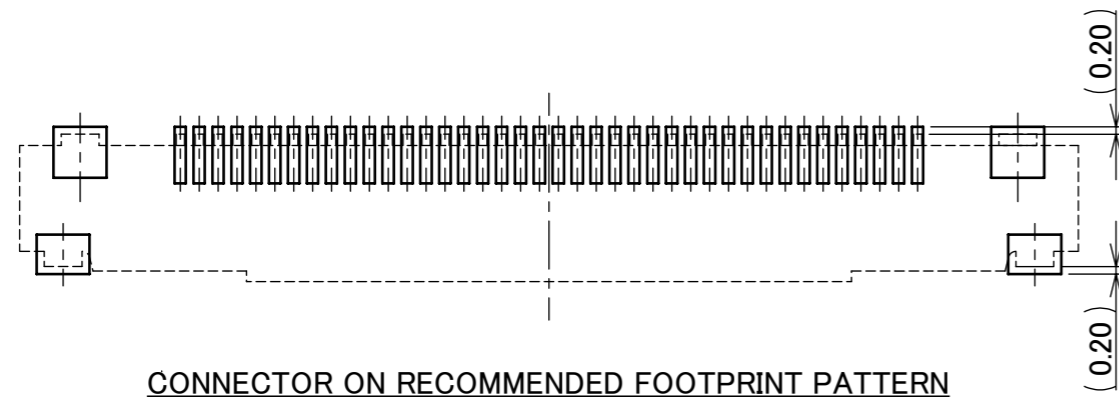
NO.	COMPONENTS	MATERIAL	FINISH
13	SHIELD TAPE	METALLIC FILM	
12	INTERLAYER	ARBITRARY	
11	GROUND PLATE	METALLIC FILM	POLISH or HALF POLISH Sn PLATING
10	REINFORCED TAPE	ARBITRARY	
9	INSULATION FILM	ARBITRARY	
8	CONDUCTOR	COPPER ALLOY	CONTACT AREA : Au 0.05 μ m MIN. OVER Ni 0.5 μ m MIN.

ANGLE	$\pm 2^\circ$	6 OVER 30 MAX.	± 0.3	PROJECTION	SERIES No.	CUSTOMER COPY
	6 MAX.	± 0.2	30 OVER 120 MAX.	± 0.5	R8	
GENERAL TOLERANCE.				TITLE	EVAFLEX® 5-SE-GVT	SCALE
DWG.	DATE			5:1		
CHK.	DATE			UNIT		
APP.	DATE			mm		
				DWG. No.	20799	SIZE
						A3
						SHEET 4/6
						REV. 8

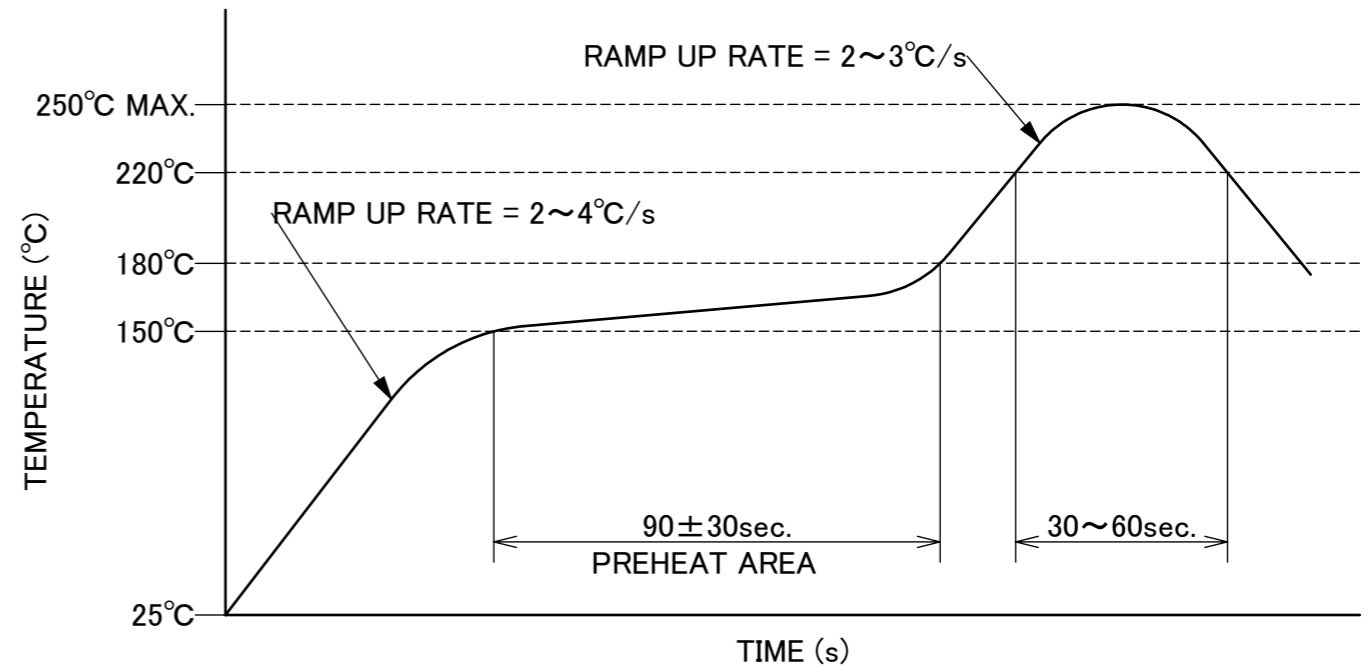
PART No.	B	D	F	J
20799-020E-01	14.80	9.50	10.20	15.70
20799-030E-01	19.80	14.50	15.20	20.70
20799-040E-01	24.80	19.50	20.20	25.70
20799-050E-01	29.80	24.50	25.20	30.70
20799-060E-01	34.80	29.50	30.20	35.70



RECOMMENDED PCB & METAL MASK LAYOUT
METAL MASK THICKNESS : t=0.12mm



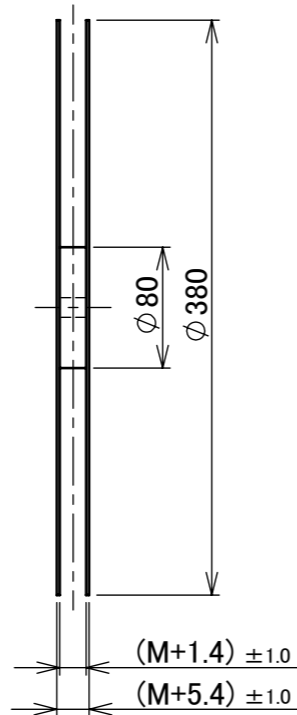
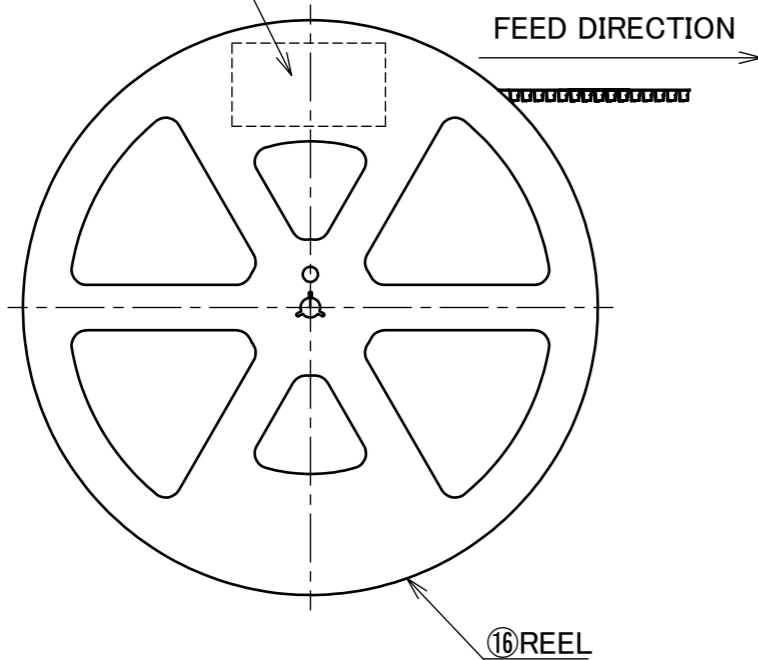
CONNECTOR ON RECOMMENDED FOOTPRINT PATTERN



REFLOW TEMPERATURE PROFILE
SENJU METAL INDUSTRY CO., LTD. : M705-SHF(Sn96.5 Ag3.0 Cu0.5)

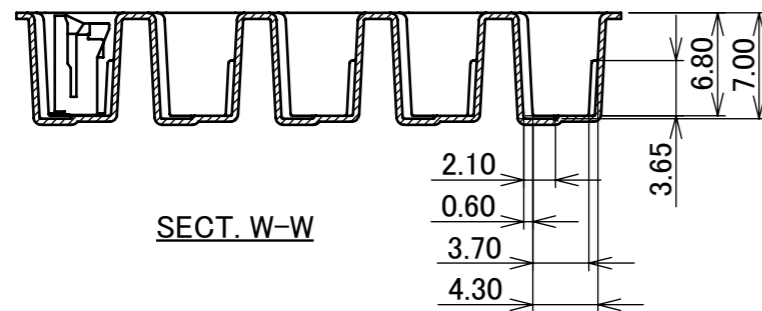
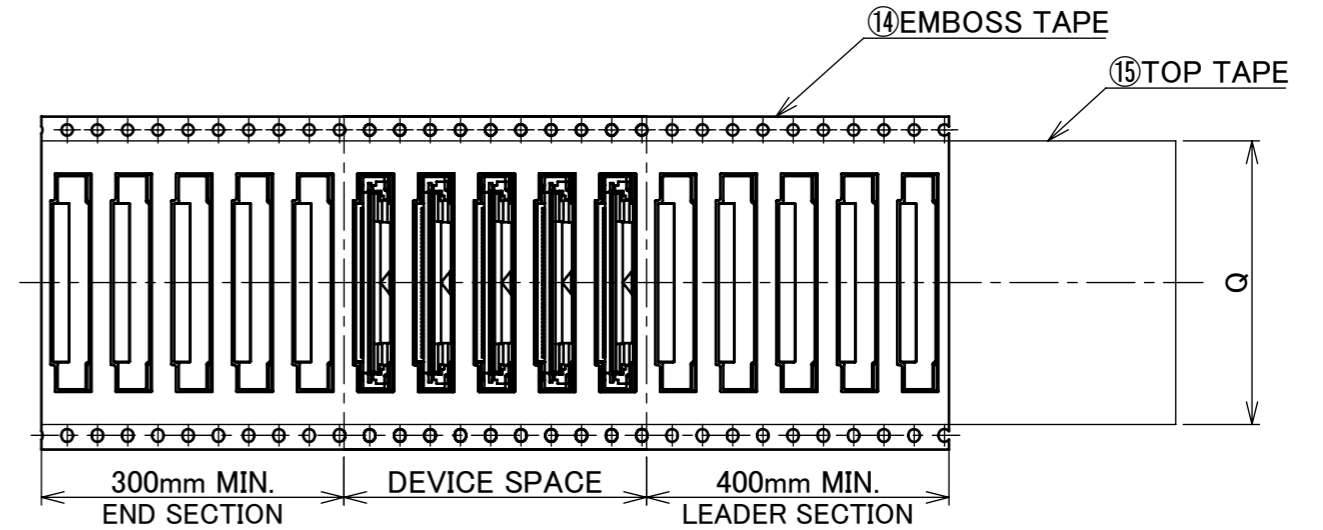
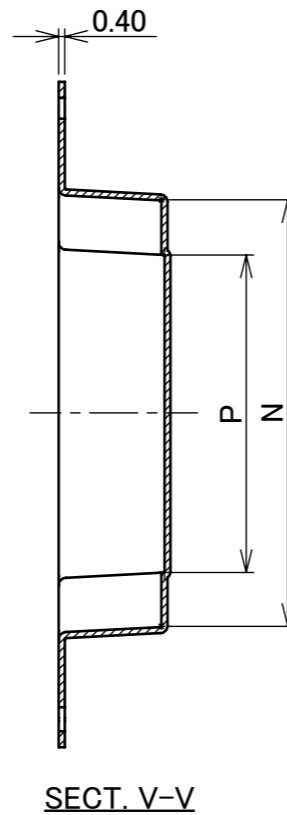
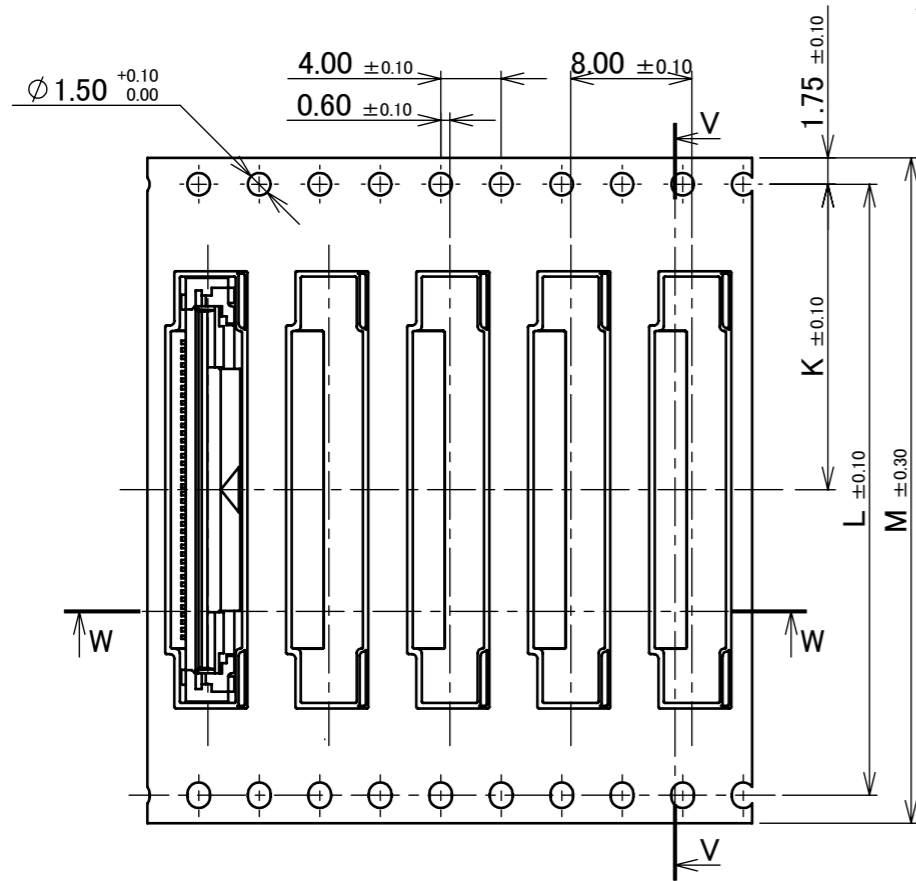
ANGLE	±2°	6 OVER 30 MAX.	±0.3	PROJECTION ⊕	SERIES No. R8	CUSTOMER COPY
6 MAX.	±0.2	30 OVER 120 MAX.	±0.5			
GENERAL TOLERANCE.				TITLE	SCALE 5:1 UNIT mm SIZE A3	I-PEX SHEET 5/6 REV. 8
DWG.	DATE		EVAFLEX® 5-SE-GVT			
CHK.	DATE					
APP.	DATE		DWG. No.	20799		

⑰ PACKING LABEL



PART NO.	K	L	M	N	P	Q	QTY. PER EMOSS REEL (PIECES / REEL)	QTY. PER PACKING CARTON (REELS / CARTON)
20799-020E-01	14.20	28.40	32.00	18.20	11.00	26.00	1500 / REEL	4 / CARTON = 6000
20799-030E-01	20.20	40.40	44.00	23.20	16.00	37.50		
20799-040E-01	20.20	40.40	44.00	28.20	21.00	37.50		
20799-050E-01	20.20	40.40	44.00	33.20	26.00	37.50		
20799-060E-01	26.20	52.40	56.00	38.20	31.00	49.00		3 / CARTON = 4500

- NOTES.
- TAPING SPECIFICATION FOLLOWS JIS C 0806 (IEC 60286-3).
 - MAKE EMPTY SECTION OF LEADER AND END ON EACH END OF THE TAPE.
 - TOP TAPE SHALL NOT STICK OUT FROM EMOSS TAPE.
 - TOP TAPE SHALL NOT COVER FEED HOLE.
 - DRAFT ANGLE OF EMOSS TAPE 3° MAX. AND DON'T BECOME A REVERSE SLOPE.



NO.	DISCRIPTION	MATERIAL	FINISH , REMARKS
17	PACKING LABEL	-	-
16	REEL	PS	WHITE
15	TOP TAPE	PET t=0.062 TRANSPARENCY	ANTI-STATIC TYPE HEAT WELDING TYPE
14	EMBOSS TAPE	PS t=0.4 TRANSPARENCY	ANTI-STATIC TYPE

ANGLE	±2°	6 OVER 30 MAX.	±0.3	PROJECTION	SERIES No.	CUSTOMER COPY
6 MAX.	±0.2	30 OVER 120 MAX.	±0.5		R8	
GENERAL TOLERANCE.				TITLE	EVAFLEX® 5-SE-GVT	SCALE
DWG.	DATE			1:X		
CHK.	DATE			UNIT		
APP.	DATE			mm		
				DWG. No.	20799	SIZE
						A3
						SHEET 6/6
						REV. 8