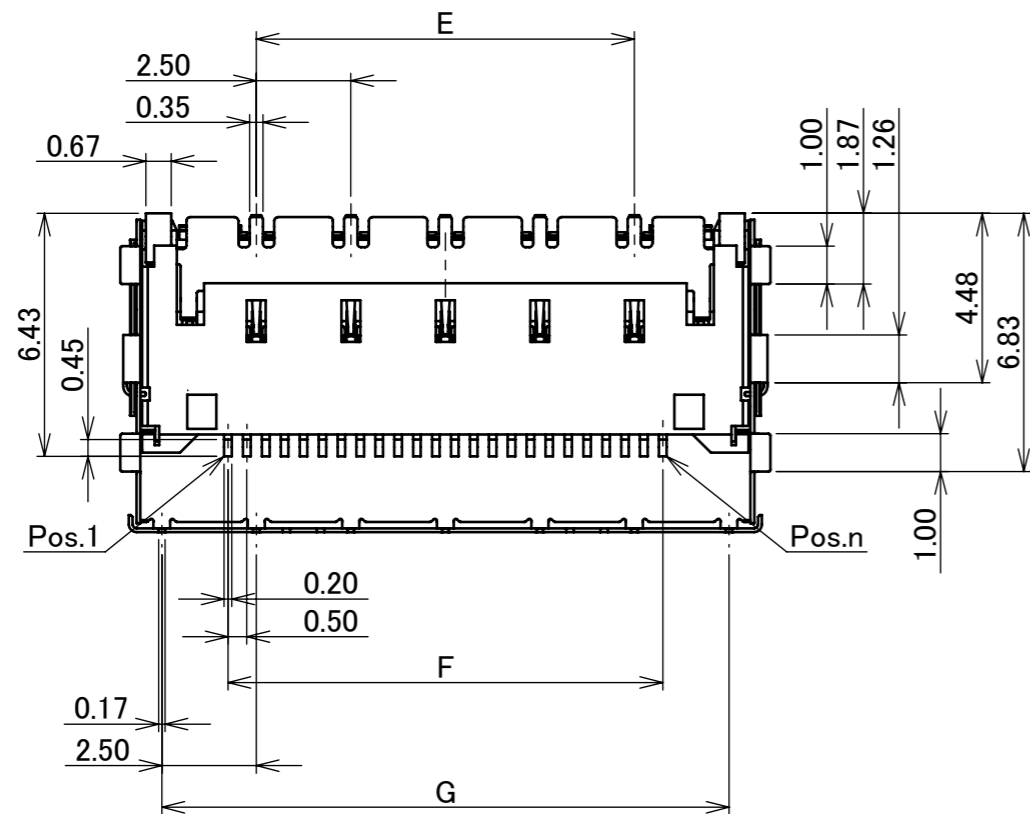
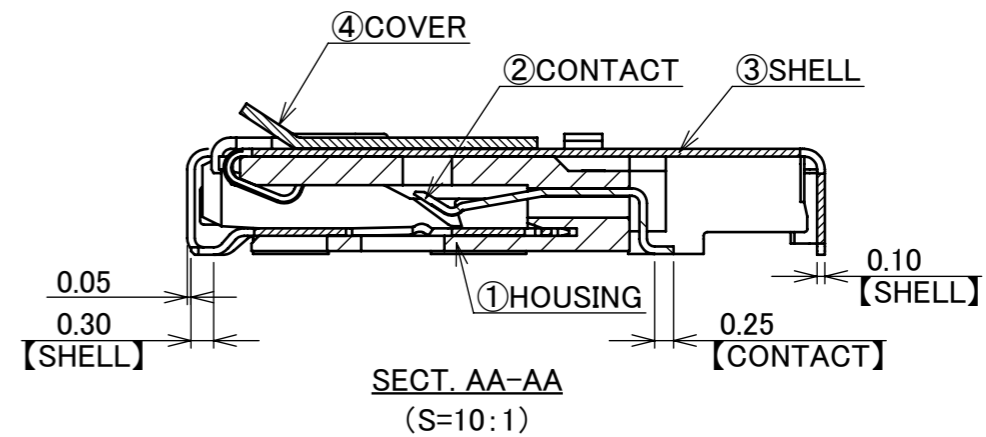
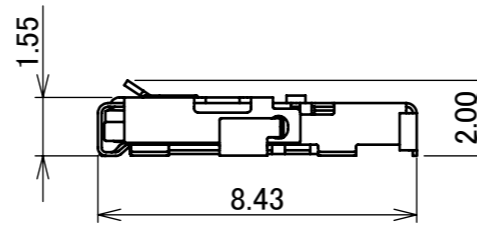
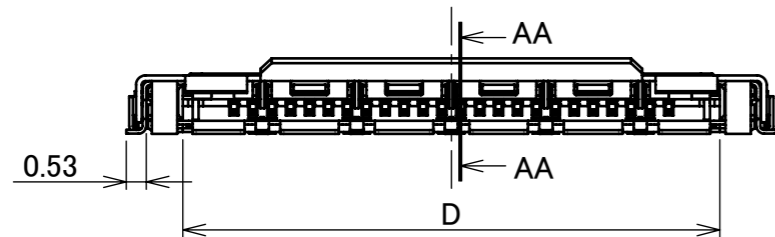
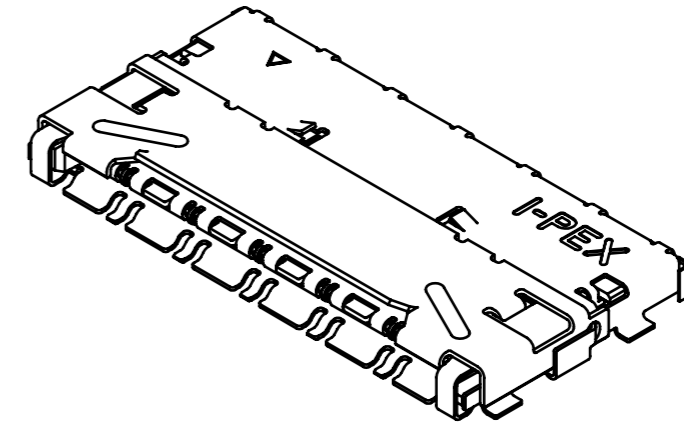
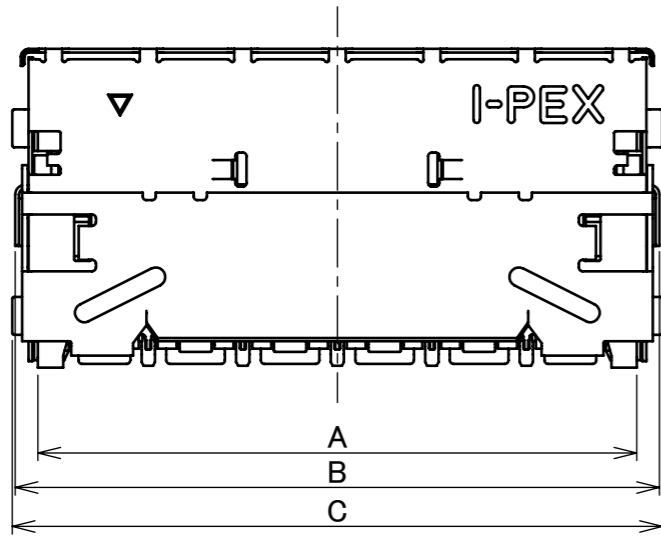
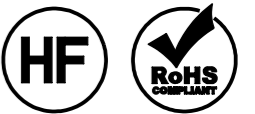


Recommended P/N

20952-0\*\*E-02

| PART NO.      | Pos. | A     | B     | C     | D     | E     | F     | G     |
|---------------|------|-------|-------|-------|-------|-------|-------|-------|
| 20952-024E-02 | 24   | 15.84 | 17.04 | 17.20 | 14.20 | 10.00 | 11.50 | 15.00 |



| 4   | COVER       | SUS          |  |
|-----|-------------|--------------|--|
| 3   | SHELL       | CORSON ALLOY | ALL OVER Ni 1.00 μm MIN.<br>SOLDERING AREA: Au 0.02 μm MIN.  |
| 2   | CONTACT     | CORSON ALLOY | CONTACT AREA: Au 0.03 μm MIN. OVER Ni 1.00 μm MIN.<br>SOLDERING AREA: Au 0.03 μm MIN. OVER Ni 1.00 μm MIN. |
| 1   | HOUSING     | LCP          | UL94V-0, BLACK   |
| NO. | DISCRIPTION | MATERIAL     | FINISH , REMARKS   |

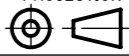
|                 |         |     |             |      |                    |      |                  |      |               |            |               |
|-----------------|---------|-----|-------------|------|--------------------|------|------------------|------|---------------|------------|---------------|
|                 |         |     |             |      | ANGLE              | ±2°  | 6 OVER 30 MAX.   | ±0.3 | PROJECTION    | SERIES No. | CUSTOMER COPY |
|                 |         |     |             |      | 6 MAX.             | ±0.2 | 30 OVER 120 MAX. | ±0.5 | ⊕             | R3         |               |
| 3               | Z210312 | H.K | Mar./23/'21 | H.I  | GENERAL TOLERANCE. |      |                  |      | TITLE         |            | SCALE         |
| 2               | Z210284 | H.K | Mar./18/'21 | H.I  | DWG.               |      | DATE             |      | EVAFLEX® 5-HD |            | 5:1           |
| 1               | Z200110 | H.K | Jan./24/'20 | H.I  | H.Kaneko           |      | 2020/01/20       |      |               |            | UNIT          |
| 0               | Z200028 | H.K | Jan./20/'20 |      | CHK.               |      |                  |      |               |            | mm            |
| REV.            | ECN     | BY  | DATE        | APP. | APP.               |      |                  |      | DWG. No.      | 20952      | SIZE          |
| REVISION RECORD |         |     |             |      | H.Ikari            |      |                  |      |               |            | A3            |
|                 |         |     |             |      |                    |      |                  |      |               |            | SHEET         |
|                 |         |     |             |      |                    |      |                  |      |               |            | 1/6           |
|                 |         |     |             |      |                    |      |                  |      |               |            | REV.          |
|                 |         |     |             |      |                    |      |                  |      |               |            | 3             |

Confidential C

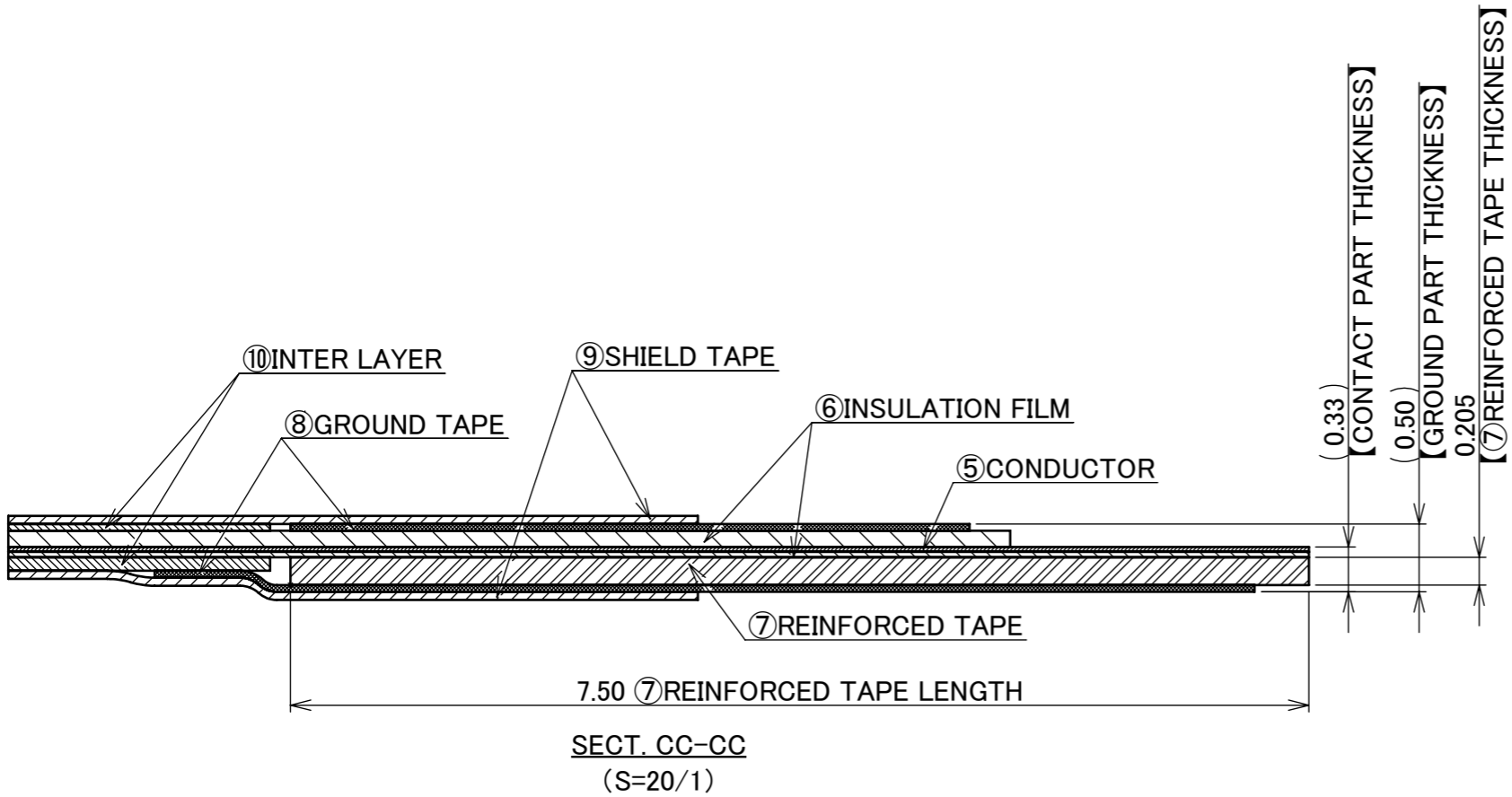
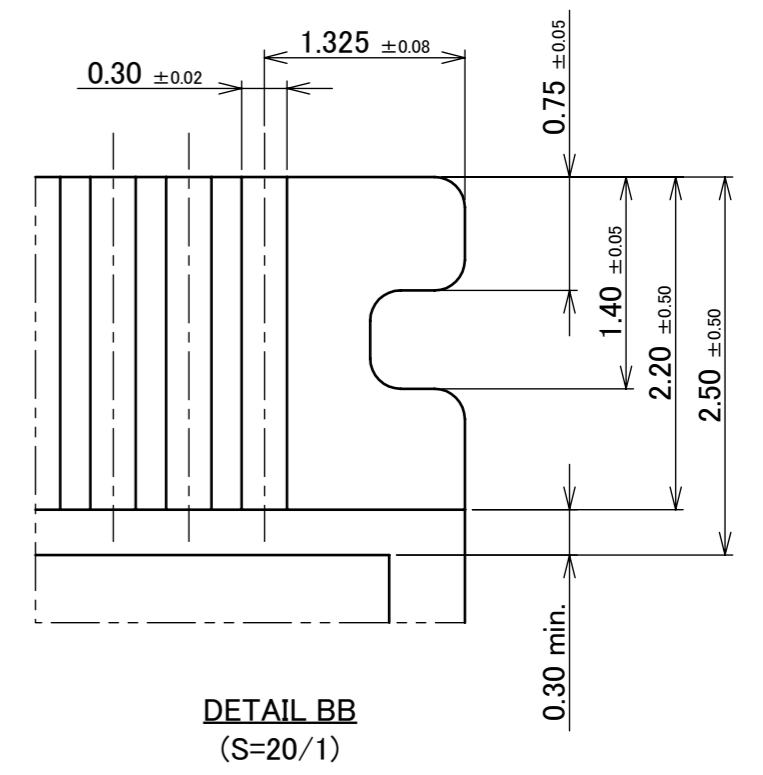
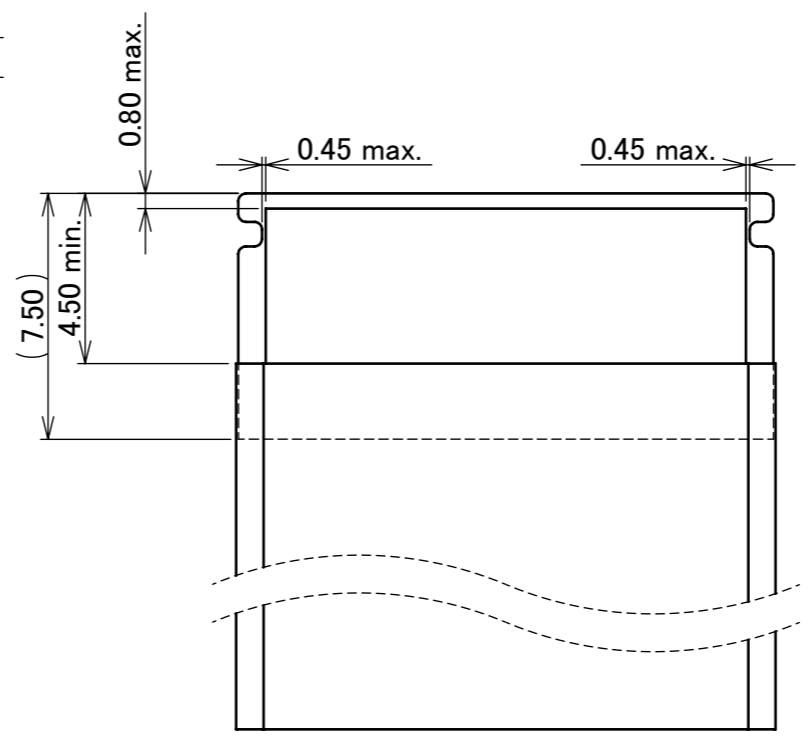
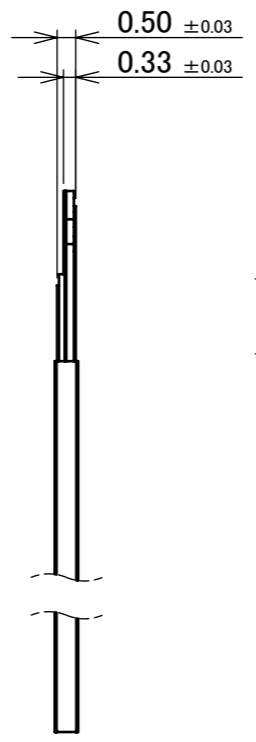
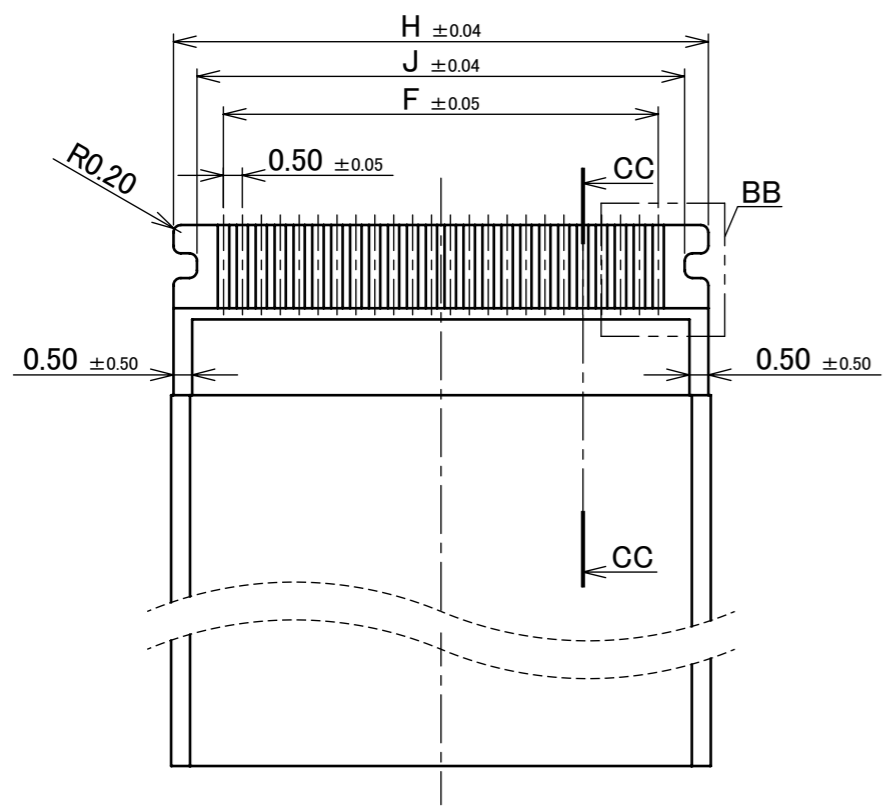
I-PEX Inc.

QKE-DFE06-02 REV.12

| ITEMS  | SPECIFICATION  |
|--|--|
| RATING VOLTAGE                                 | 50V AC/DC (PER CONTACT)  |
| RATING AMPERAGE (FOR SIGNAL CONTACT)           | 0.30A AC/DC  |
| OPERATING TEMPERATURE                          | 233~358K (-40°C~+85°C)   |
| OPERATING HUMIDITY                             | 85% RH. MAX. (NON-CONDENSING)                                    |
| CONTACT RESISTANCE (FOR SIGNAL CONTACT)        | INITIAL : 60mohm MAX. / AFTER TEST : $\triangleleft$ 40mohm MAX. |
| INSULATION RESISTANCE                          | INITIAL : 500Mohm MIN. / AFTER TEST : 500Mohm MIN.               |
| DIELECTRIC WITHSTANDING VOLTAGE                | AC 250V 1min   |
| DURABILITY                                     | 30 CYCLES  |
| MATING FORCE (INITIAL / AFTER TEST)            | 24P : 22.00 N MAX.   |
| UNMATING FORCE (INITIAL / AFTER TEST)          | 24P : 2.30 N MIN.  |
| FFC/FPC RETENTION FORCE (INITIAL / AFTER TEST) | 24P : 8.50 N MIN.  |
| COPLANARITY                                    | 0.10 MAX.  |
| PRODUCT SPECIFICATION                          | PRS-2645   |
| TEST REPORT                                    | TR-20006   |
| PACKING STANDARD                               | PST-19012  |
| INSTRUCTION MANUAL                             | HIM-19004  |
| APPEARANCE CRITERIA No.                        | QLS-A***   |

|                    |               |                  |           |   |                  |               |              |           |
|--------------------|---------------|------------------|-----------|---|------------------|---------------|--------------|-----------|
| ANGLE              | $\pm 2^\circ$ | 6 OVER 30 MAX.   | $\pm 0.3$ | PROJECTION<br> | SERIES No.<br>R3 | CUSTOMER COPY |              |           |
| 6 MAX.             | $\pm 0.2$     | 30 OVER 120 MAX. | $\pm 0.5$ |   |                  |               |              |           |
| GENERAL TOLERANCE. |               |                  |           | TITLE<br>EVAFLEX <sup>®</sup> 5-HD  | SCALE<br>5:1     | <b>I-PEX</b>  |              |           |
| DWG.               | DATE          |                  |           |   |                  |               |              |           |
| CHK.               |               |                  |           |   |                  |               |              |           |
| APP.               |               |                  |           |   |                  |               |              |           |
|                    |               |                  |           | DWG. No.  | 20952            | SIZE<br>A3    | SHEET<br>2/6 | REV.<br>3 |

|               |      |       |       |       |
|---------------|------|-------|-------|-------|
| PART NO.      | Pos. | F     | H     | J     |
| 20952-024E-02 | 24   | 11.50 | 14.15 | 12.90 |



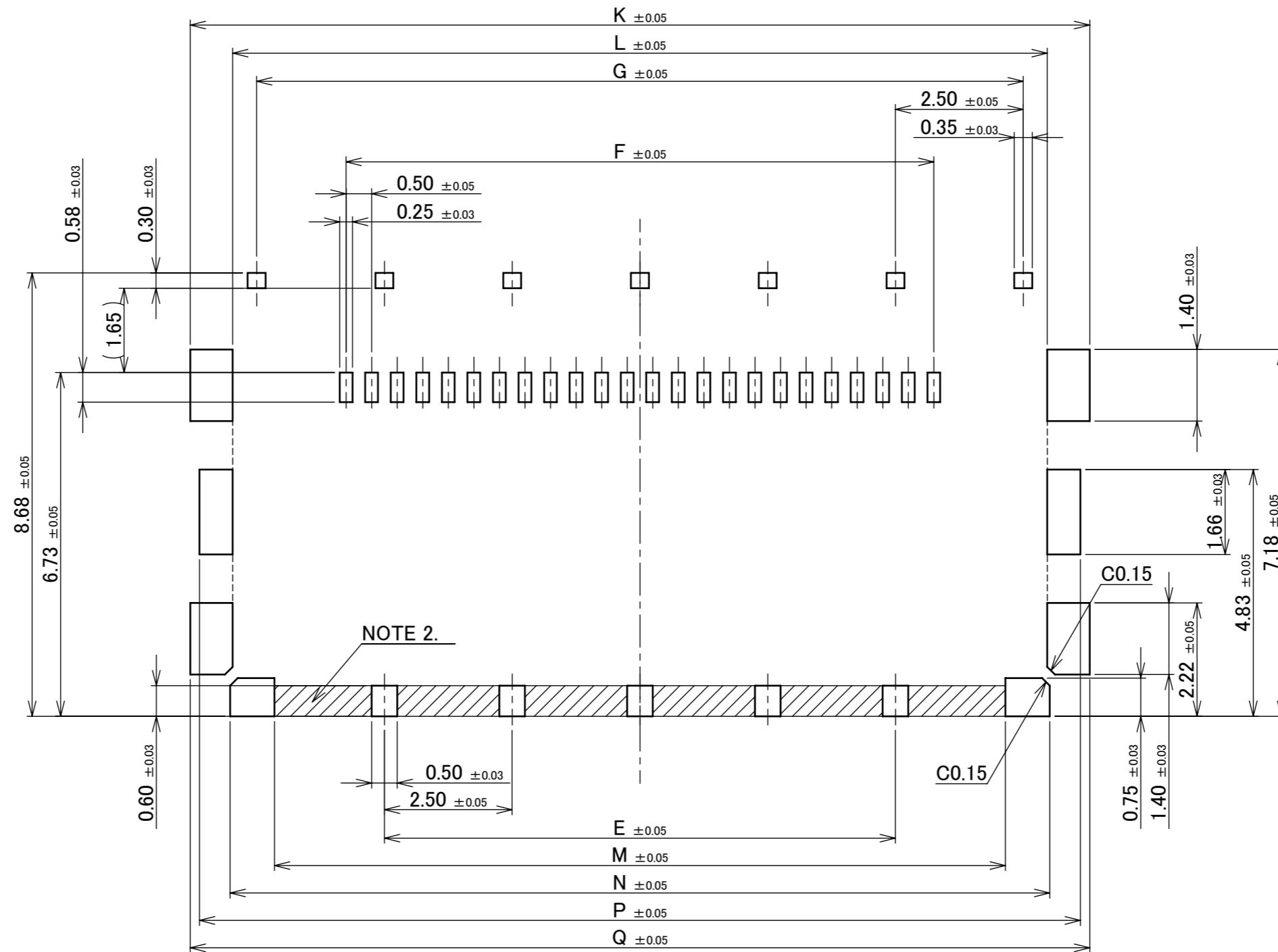
NOTES.

1. DIFFERENTIAL IMPEDANCE :  $90 \pm 10 \Omega$

| NO. | DISCRIPTION     | MATERIAL      | FINISH , REMARKS   |
|-----|-----------------|---------------|--|
| 10  | INTER LAYER     | ARBITRARY     |  |
| 9   | SHIELD TAPE     | METALLIC FILM |  |
| 8   | GROUND TAPE     | METALLIC FILM | POLISH or HALF POLISH Sn PLATING                             |
| 7   | REINFORCED TAPE | ARBITRARY     |  |
| 6   | INSULATION FILM | ARBITRARY     |  |
| 5   | CONDUCTOR       | COPPER ALLOY  | CONTACT AREA : Au 0.05 $\mu$ m MIN. OVER Ni 0.5 $\mu$ m MIN. |

|                    |               |                  |           |                 |                  |               |      |       |      |
|--------------------|---------------|------------------|-----------|-----------------|------------------|---------------|------|-------|------|
| ANGLE              | $\pm 2^\circ$ | 6 OVER 30 MAX.   | $\pm 0.3$ | PROJECTION<br>① | SERIES No.<br>R3 | CUSTOMER COPY |      |       |      |
| 6 MAX.             | $\pm 0.2$     | 30 OVER 120 MAX. | $\pm 0.5$ |                 |                  |               |      |       |      |
| GENERAL TOLERANCE. |               |                  |           | TITLE           | SCALE            | I-PEX         |      |       |      |
| DWG.               | DATE          |                  |           | EVAFLEX® 5-HD   |                  |               |      |       | 5:1  |
| CHK.               |               |                  |           |                 | UNIT             |               |      |       |      |
| APP.               |               |                  |           | DWG. No.        | 20952            | mm            | SIZE | SHEET | REV. |
|                    |               |                  |           |                 |                  | A3            | 3/6  | 3     |      |

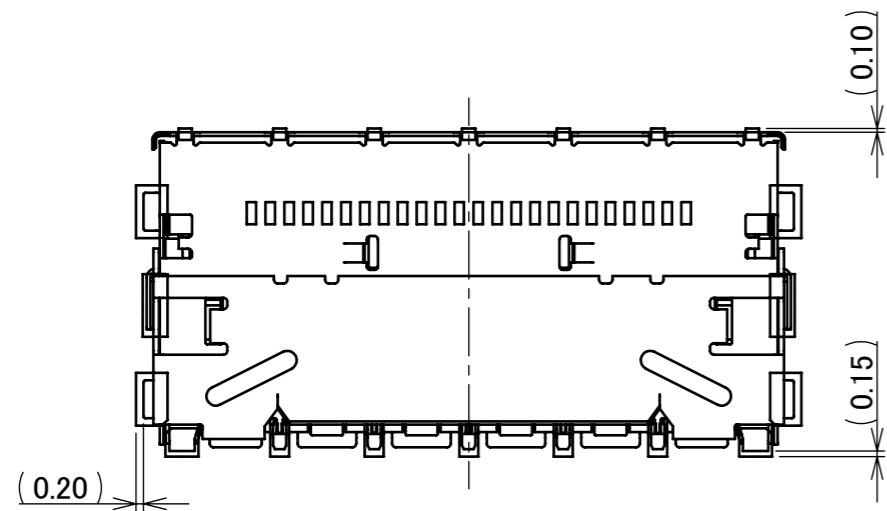
| PART NO.      | Pos. | E     | F     | G     | K     | L     | M     | N     | P     | Q     |
|---------------|------|-------|-------|-------|-------|-------|-------|-------|-------|-------|
| 20952-024E-02 | 24   | 10.00 | 11.50 | 15.00 | 17.60 | 15.94 | 14.30 | 16.04 | 17.24 | 17.60 |



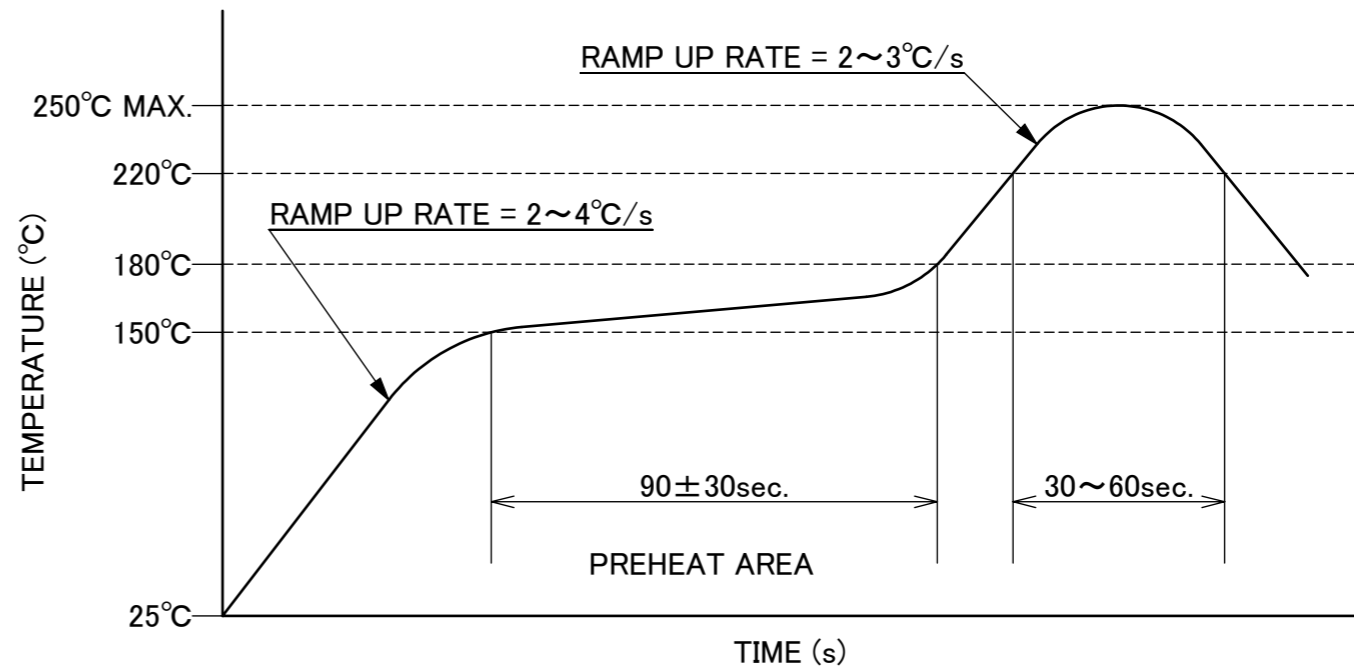
**RECOMMENDED PCB & METALMASK LAYOUT**  
**THICKNESS t=0.12**

NOTES.  
 2. HATCHING AREA:  
 SOLDER RESIST SHALL BE COATED IN CASE OF RUNNING TRACES  
 ON THIS FOOTPRINT PATTERN PROHIBITION AREA.

|                    |        |                |                  |               |            |               |       |
|--------------------|--------|----------------|------------------|---------------|------------|---------------|-------|
| ANGLE              | ±2°    | 6 OVER 30 MAX. | ±0.3             | PROJECTION    | SERIES No. | CUSTOMER COPY |       |
|                    | 6 MAX. | ±0.2           | 30 OVER 120 MAX. | ±0.5          | R3         |               |       |
| GENERAL TOLERANCE. |        |                |                  | TITLE         | SCALE      |               |       |
| DWG.               | DATE   |                |                  | EVAFLEX® 5-HD | 5:1        |               |       |
| CHK.               |        |                |                  |               | UNIT       |               |       |
| APP.               |        |                |                  |               | mm         |               |       |
|                    |        |                |                  | DWG. No.      | 20952      | SIZE          | SHEET |
|                    |        |                |                  |               |            | A3            | 4/6   |
|                    |        |                |                  |               |            |               | REV.  |
|                    |        |                |                  |               |            |               | 3     |



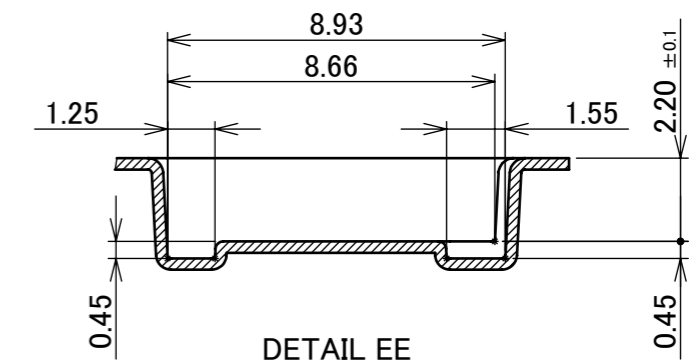
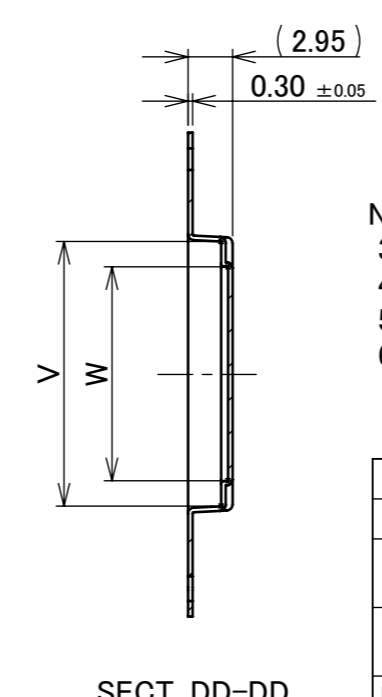
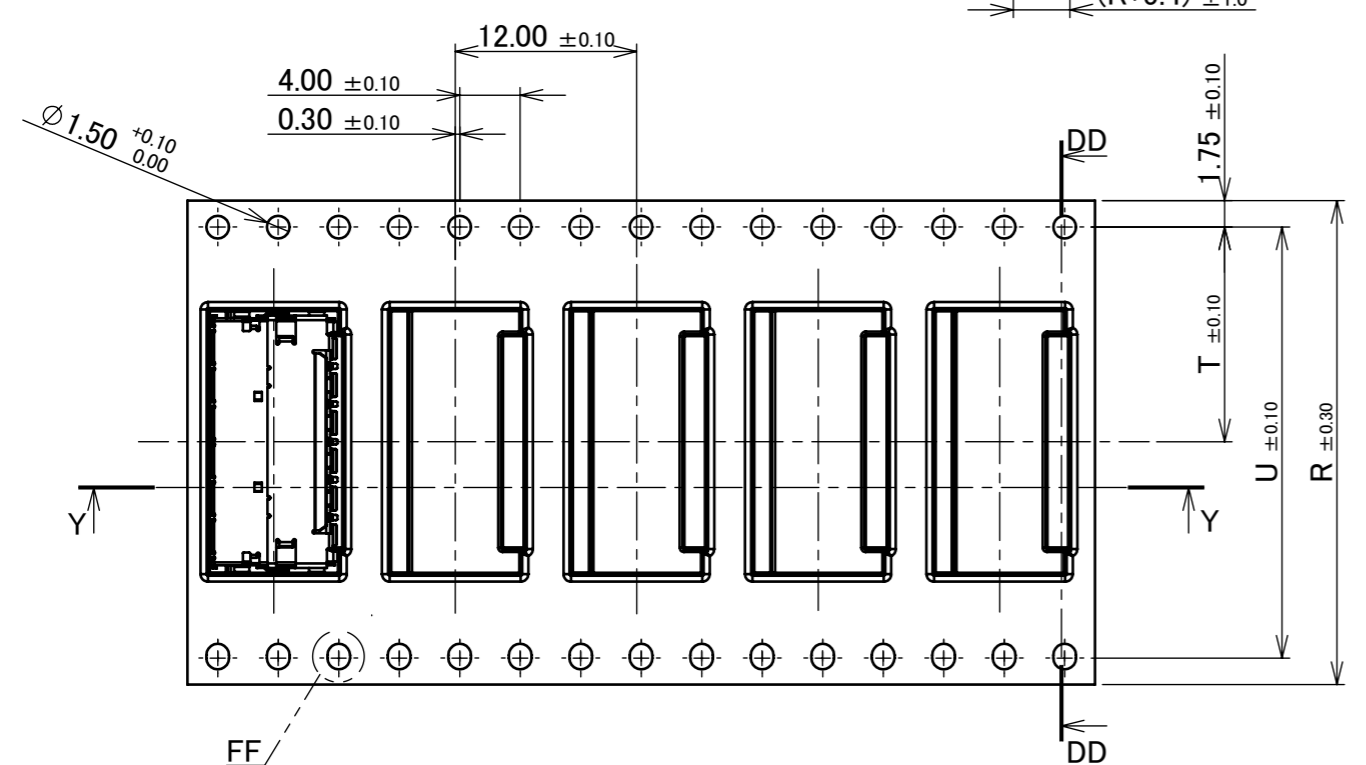
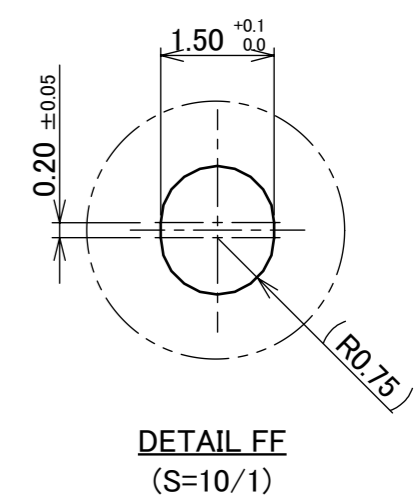
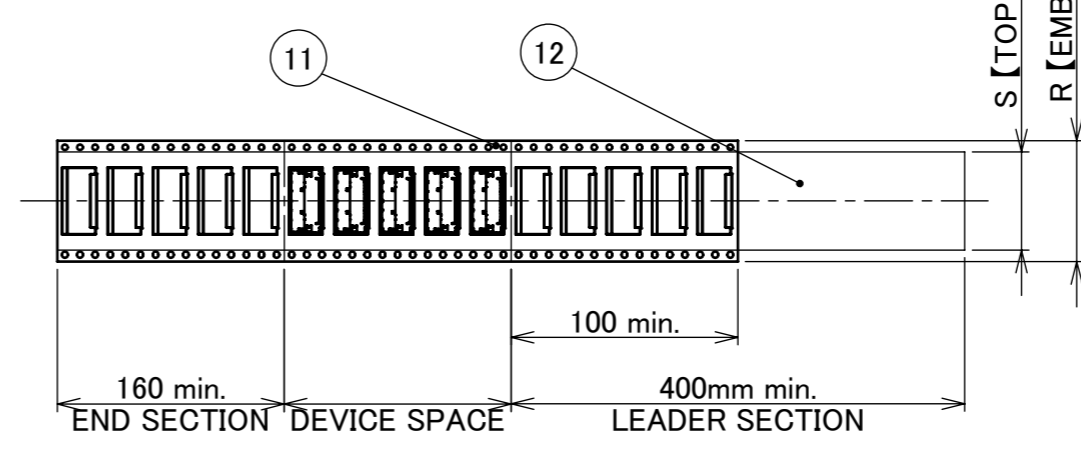
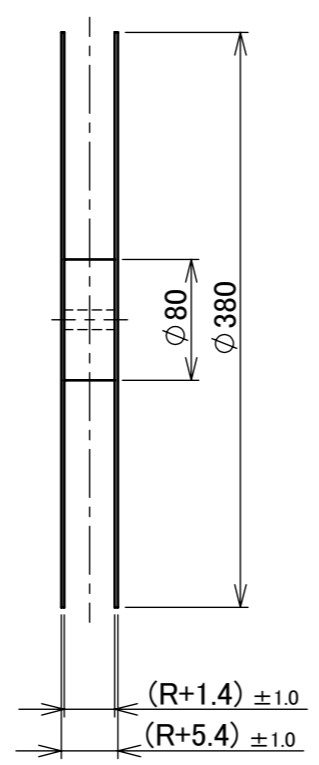
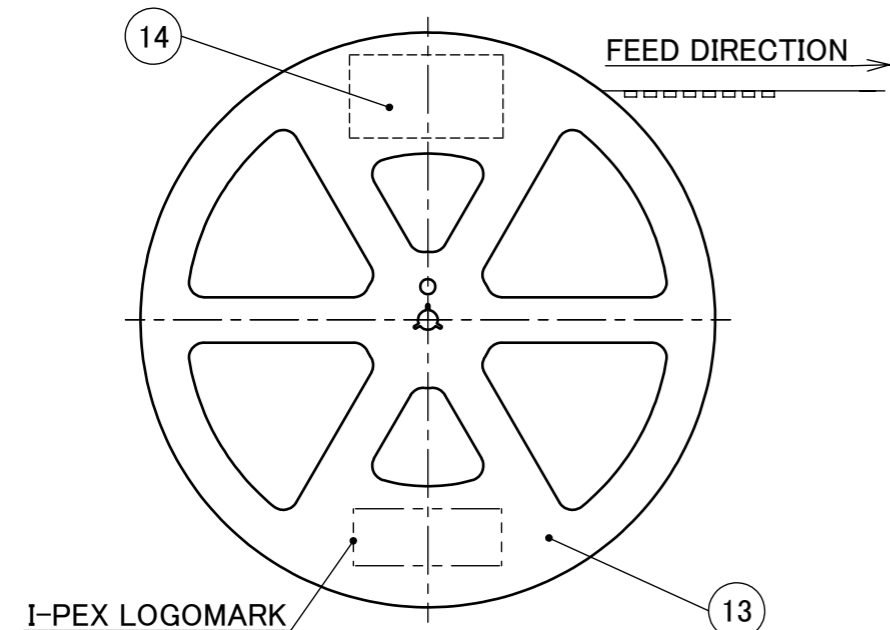
CONNECTOR ON RECOMMENDED FOOTPRINT PATTERN LAYOUT



REFLOW TEMPERATURE PROFILE  
 SENJU METAL INDUSTRY CO., LTD. : M705-SHF(Sn96.5 Ag3.0 Cu0.5)

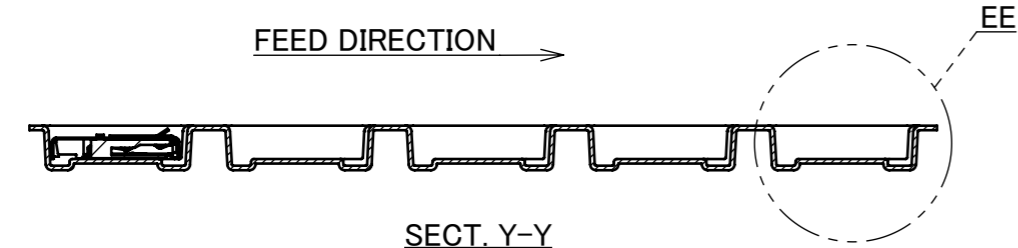
|                    |      |                  |      |                |                  |               |       |      |  |
|--------------------|------|------------------|------|----------------|------------------|---------------|-------|------|--|
| ANGLE              | ±2°  | 6 OVER 30 MAX.   | ±0.3 | PROJECTION<br> | SERIES No.<br>R3 | CUSTOMER COPY |       |      |  |
| 6 MAX.             | ±0.2 | 30 OVER 120 MAX. | ±0.5 |                |                  |               |       |      |  |
| GENERAL TOLERANCE. |      |                  |      | TITLE          |                  | SCALE         |       |      |  |
| DWG.               | DATE |                  |      | EVAFLEX® 5-HD  |                  | 5:1           |       |      |  |
| CHK.               |      |                  |      |                |                  | UNIT          |       |      |  |
| APP.               |      |                  |      | DWG. No.       |                  | mm            |       |      |  |
|                    |      |                  |      | 20952          |                  | SIZE          | SHEET | REV. |  |
|                    |      |                  |      |                |                  | A3            | 5/6   | 3    |  |

| PART NO.      | R     | S     | T     | U     | V     | W     | QTY. PER EMBOSS REEL<br>(PIECES / REEL) | QTY. PER PACKING CARTON<br>(REELS / CARTON) |
|---------------|-------|-------|-------|-------|-------|-------|---|---|
| 20952-024E-02 | 32.00 | 26.00 | 14.20 | 28.40 | 17.50 | 14.15 | 2500 PIECES / REEL                      | 4REELS / CARTON = 10000 PIECES / CARTON     |



- NOTES.
3. TAPING SPECIFICATION FOLLOWS JIS C 0806 (IEC 60286-3).
  4. MAKE EMPTY SECTION OF LEADER AND END ON EACH END OF THE TAPE.
  5. TOP TAPE SHALL NOT STICK OUT FROM EMBOSS TAPE.
  6. TOP TAPE SHALL NOT COVER FEED HOLE.

| 14  | PACKING LABEL | -                           | -                      |
|-----|---------------|-----------------------------|------------------------|
| 13  | REEL          | PS                          | ANTI-STATIC TYPE BLACK |
| 12  | TOP TAPE      | PET t=0.062<br>TRANSPARENCY | ANTI-STATIC TYPE       |
| 11  | EMBOSS TAPE   | PS t=0.4<br>TRANSPARENCY    | ANTI-STATIC TYPE       |
| NO. | DISCRIPTION   | MATERIAL                    | FINISH , REMARKS       |



|                    |        |                |                  |                 |                  |               |              |      |
|--------------------|--------|----------------|------------------|-----------------|------------------|---------------|--------------|------|
| ANGLE              | ±2°    | 6 OVER 30 MAX. | ±0.3             | PROJECTION<br>⊕ | SERIES No.<br>R3 | CUSTOMER COPY |              |      |
|                    | 6 MAX. | ±0.2           | 30 OVER 120 MAX. |                 |                  |               |              | ±0.5 |
| GENERAL TOLERANCE. |        |                |                  | TITLE           |                  | SCALE         | <b>I-PEX</b> |      |
| DWG.               | DATE   |                |                  | EVAFLEX® 5-HD   |                  | 5:1           |              |      |
| CHK.               |        |                |                  |                 |                  | UNIT          |              |      |
| APP.               |        |                |                  | DWG. No. 20952  |                  | mm            |              |      |
|                    |        |                |                  |                 |                  | SIZE          | SHEET        | REV. |
|                    |        |                |                  |                 |                  | A3            | 6/6          | 3    |