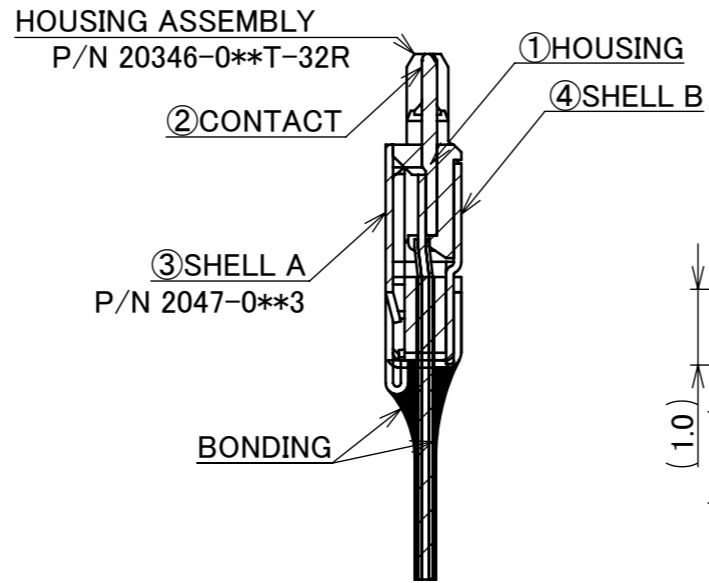
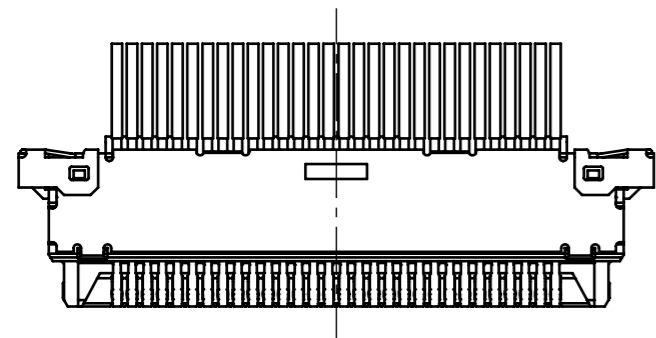
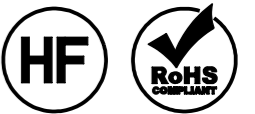
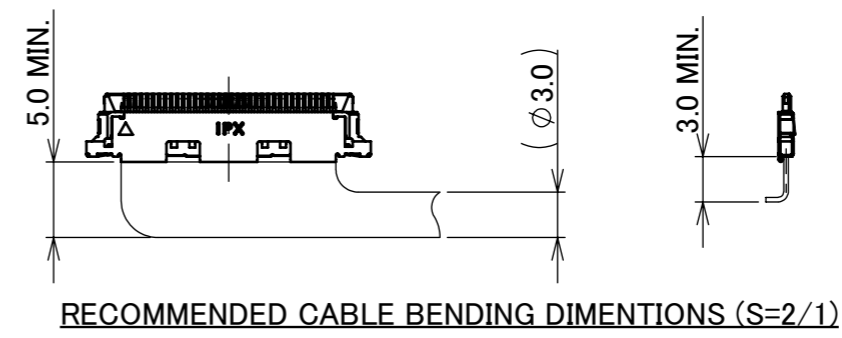
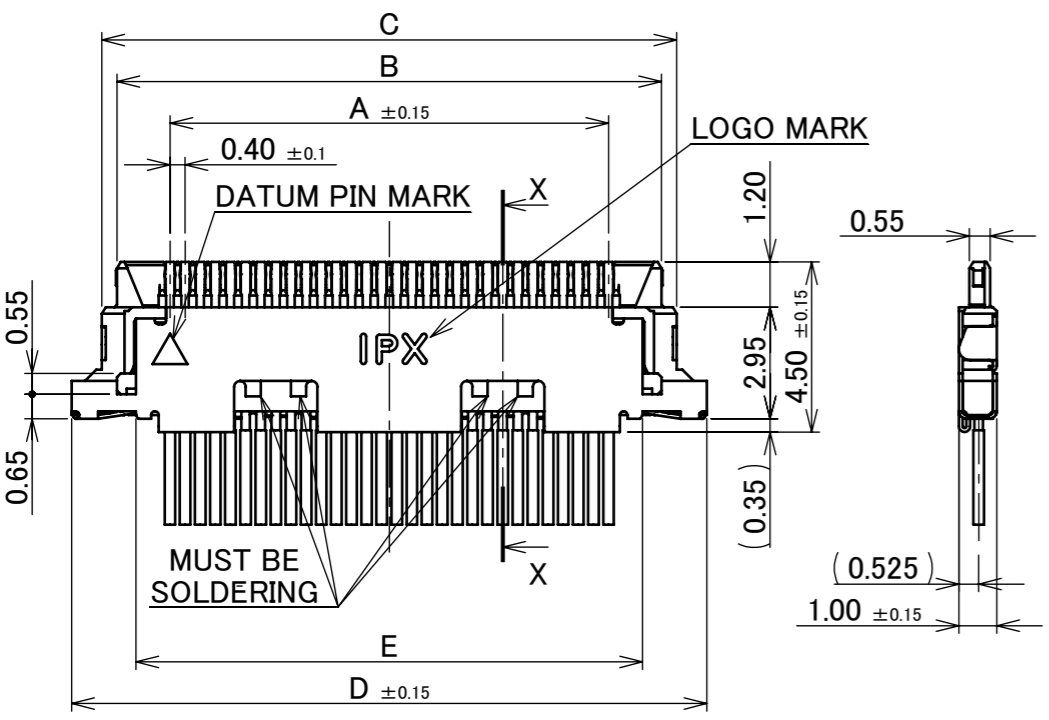
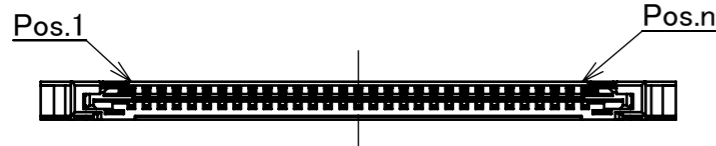
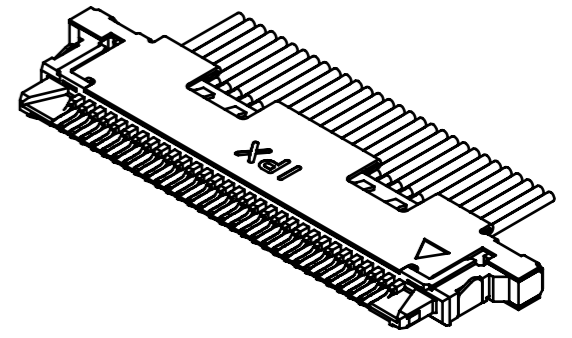
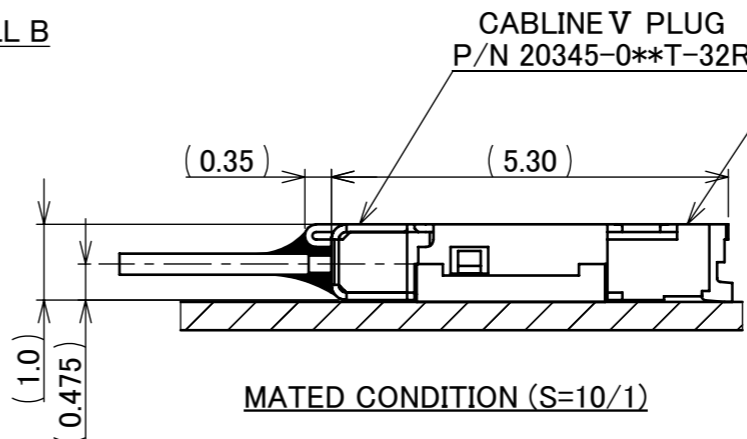


Recommended P/N 20345-0**T-32R

PART NO.	POS.	A	B	C	D	E
20345-010T-32R	10	3.6	6.4	7.2	8.8	5.4
20345-015T-32R	15	5.6	8.4	9.2	10.8	7.4
20345-020T-32R	20	7.6	10.4	11.2	12.8	9.4
20345-025T-32R	25	9.6	12.4	13.2	14.8	11.4
20345-030T-32R	30	11.6	14.4	15.2	16.8	13.4
20345-035T-32R	35	13.6	16.4	17.2	18.8	15.4
20345-040T-32R	40	15.6	18.4	19.2	20.8	17.4



SECT. X-X
(S=10/1)



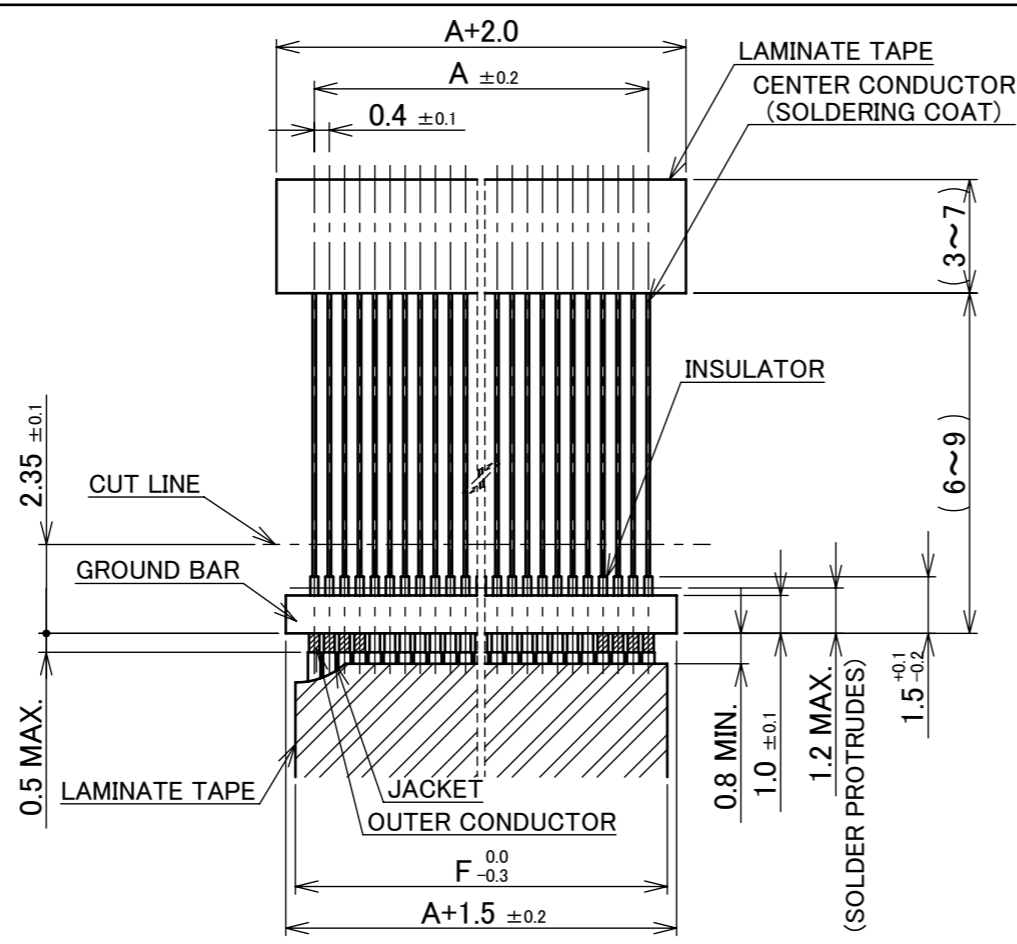
NO.	DISCRIPTION	MATERIAL	FINISH , REMARKS
4	SHELL B	PHOSPHOR BRONZE	Sn 1.00 μ m MIN. OVER Ni 1.00 μ m MIN.
3	SHELL A	SUS	Sn 1.00 μ m MIN. OVER Ni 0.50 μ m MIN.
2	CONTACT	BRASS	ALL OVER: Ni 1.00 μ m MIN. UNDER PLATING CONTACT AREA: Au 0.10 μ m MIN. SOLDERING AREA: Au 0.03 μ m MIN.
1	HOUSING	LCP	UL94V-0, BRACK

REV.	ECN	BY	DATE	APP.	APP.	DATE	PROJECTION	SERIES No.	TITLE	SCALE	SHEET	REV.
28	Z240028	RYO	Jan./10/'24	H.I	ANGLE	±2°	6 OVER 30 MAX.	±0.3	CABLINE® V PLUG FOR CABLE ASSEMBLY	5:1	I-PEX	28
27	Z210585	A.K	June/07/'21	H.I	6 MAX.	±0.2	30 OVER 120 MAX.	±0.5		UNIT		
26	Z181369	K.H	Oct./19/'18	H.I	GENERAL TOLERANCE.				mm			
25	Z181269	K.H	Sept./28/'18	H.I	DWG.	H.Mashima	DATE	2003/03/07				
24	Z151180	H.M	Oct./23/'15	J.T	CHK.	Y.H	DATE	2003/03/12				
23	Z150343	H.M	Nov./27/'15	E.K	APP.	K.K	DATE	2003/03/13	DWG. No.	20345	SIZE	A3
REVISION RECORD											1/3	

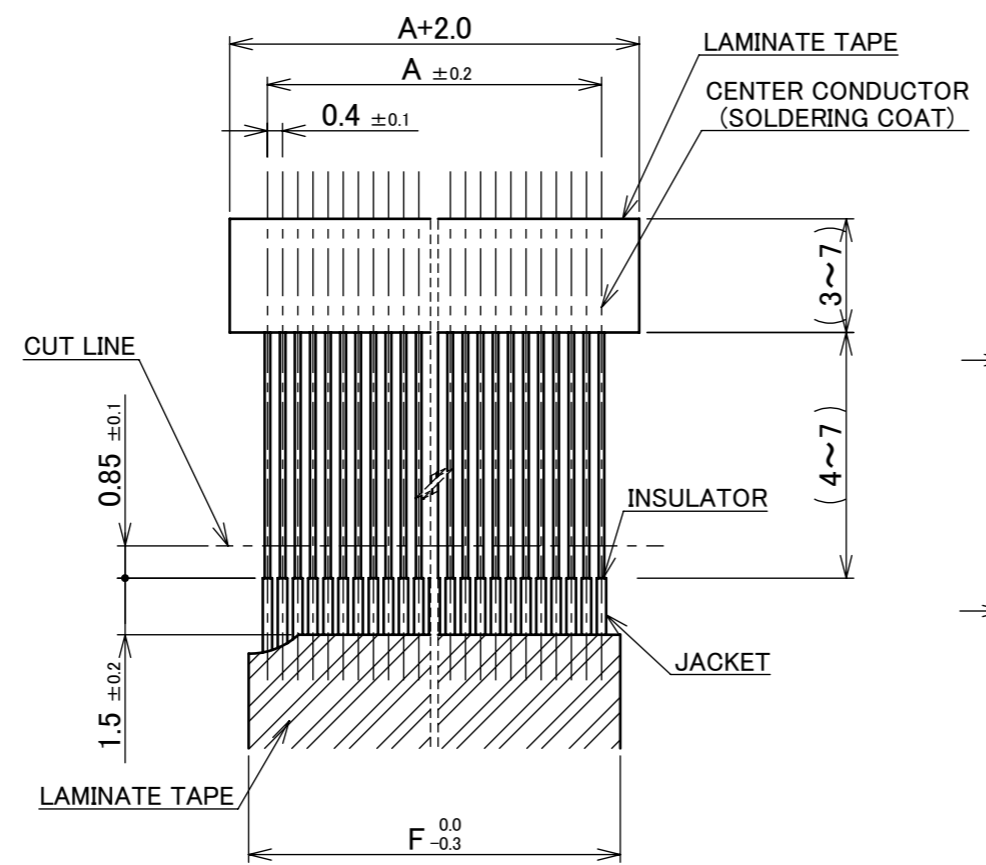
ITEMS	SPECIFICATION
APPLICABLE CABLE	MICRO-COAXIAL CABLE : AWG# 44,42,40 DISCRETE WIRE : AWG# 36 TWINAX CABLE : AWG# 40
RATING VOLTAGE	100V AC (PER CONTACT PIN)
RATING AMPERAGE (FOR CONTACT)	0.1A AC/DC [AWG#44] (PER CONTACT PIN / UP TO 40 CONTACTS) 0.24A AC/DC [AWG#42] (PER CONTACT PIN / UP TO 40 CONTACTS) 0.3A AC/DC [AWG#40] (PER CONTACT PIN / UP TO 40 CONTACTS) 0.8A AC/DC [AWG#36] (PER CONTACT PIN / UP TO 12 CONTACTS) ※TESTING BY A REAL MACHINE IS RECOMMENDED BECAUSE TEMPERATURE RISE MAY AFFECTED BY ACTUAL SITUATION.
OPERATING TEMPERATURE	233~358K(-40°C~+85°C)
OPERATING HUMIDITY	85% MAX.(NON-CONDENSING)
CONTACT RESISTANCE	INITIAL : 235mohm MAX.(AWG#36) / AFTER TEST : \triangle 40mohm MAX. 560mohm MAX.(AWG#40) 650mohm MAX.(AWG#42) 1040mohm MAX.(AWG#44)
GROUND SHELL RESISTANCE	INITIAL : 50mohm MAX. / AFTER TEST : \triangle 40mohm MAX.
INSULATION RESISTANCE	INITIAL : 1000Mohm MIN. / AFTER TEST : 500Mohm MIN.
DIELECTRIC WITHSTANDING VOLTAGE	AC250V 1min
DURABILITY	30 CYCLES
MATING FORCE (INITIAL / AFTER TEST)	10P : 20.0N MAX. 15P : 22.5N MAX. 20P : 25.0N MAX. 25P : 27.5N MAX. 30P : 30.0N MAX. 35P : 32.5N MAX. 40P : 35.0N MAX.
UNMATING FORCE (INITIAL / AFTER TEST)	10P : 4.0N MIN. 15P : 5.0N MIN. 20P : 5.5N MIN. 25P : 6.0N MIN. 30P : 7.0N MIN. 40P : 8.5N MIN.
CABLE RETENTION FORCE	10P : 4.90N MIN. 15P : 7.35N MIN. 20P : 9.80N MIN. 25P : 12.25N MIN. 30P : 14.70N MIN. 35P : 17.15N MIN. 40P : 19.60N MIN.
PRODUCT SPECIFICATION	P/N : 20345-0**T-32R ... PRS-1461
TEST REPORT	P/N : 20345-0**T-32R ... TR-08068
INSTRUCTION MANUAL	HIM-03005
ASSEMBLY MANUAL	ASM-03002
APPEARANCE CRITERIA NO.	QLS-A***

ANGLE	$\pm 2^\circ$	6 OVER 30 MAX.	± 0.3	PROJECTION 	SERIES No. R10R4	CUSTOMER COPY
	6 MAX.	± 0.2	30 OVER 120 MAX.			
GENERAL TOLERANCE.				TITLE CABLIN [®] V PLUG FOR CABLE ASSEMBLY	SCALE 5:1 UNIT mm	I-PEX
DWG.	DATE					
CHK.						
APP.						
				DWG. No.	20345	SIZE SHEET REV.
						A3 2/3 28

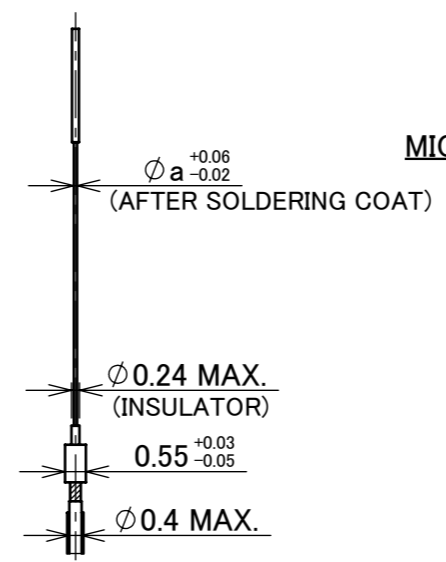
PART NO.	POS.	A	F
20345-010T-32R	10	3.6	4.6
20345-015T-32R	15	5.6	6.6
20345-020T-32R	20	7.6	8.6
20345-025T-32R	25	9.6	10.6
20345-030T-32R	30	11.6	12.6
20345-035T-32R	35	13.6	14.6
20345-040T-32R	40	15.6	16.6



RECOMMENDED MICRO-COAXIAL CABLE CABLE

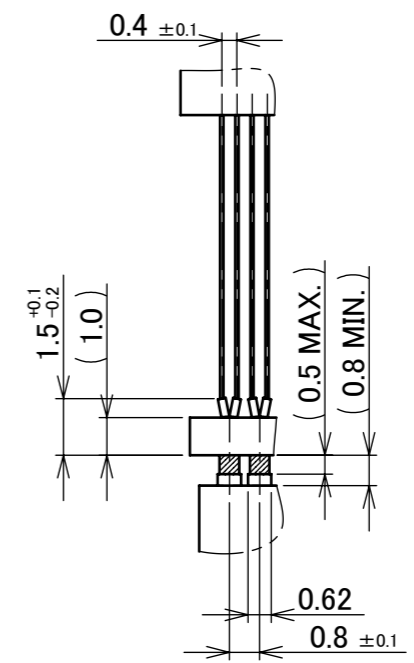


RECOMMENDED DISCRETE WIRE (AWG#36)

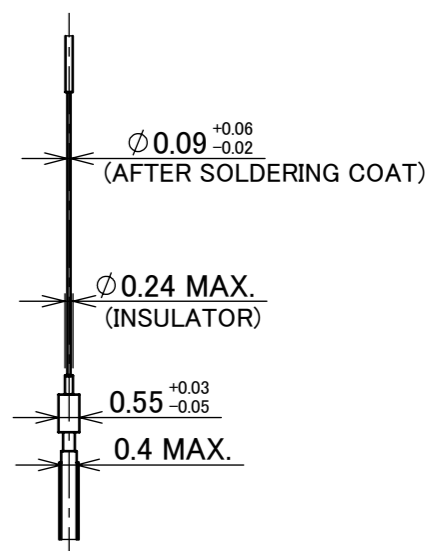


MICRO-COAXIAL CABLE DIMENSION

	a
#40	0.09
#42	0.075
#44	0.063



RECOMMENDED TWINAX CABLE DIM. (AWG#40)



ANGLE	±2°	6 OVER 30 MAX.	±0.3	PROJECTION ⊕	SERIES No. R10R4	CUSTOMER COPY		
6 MAX.	±0.2	30 OVER 120 MAX.	±0.5					
GENERAL TOLERANCE.				TITLE CABLIN [®] V PLUG FOR CABLE ASSEMBLY	SCALE 5:1	UNIT mm I-PEX		
DWG.	DATE							
CHK.								
APP.								
				DWG. No.	20345	SIZE A3	SHEET 3/3	REV. 28