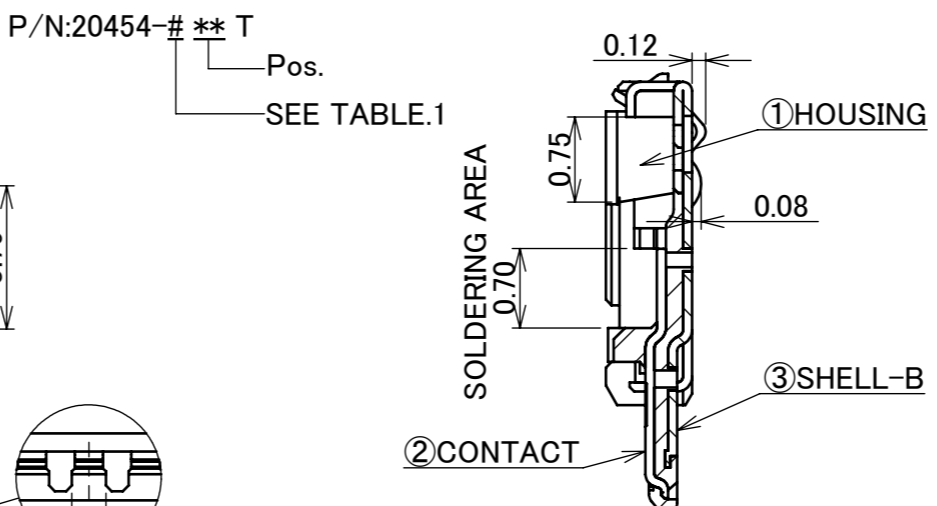
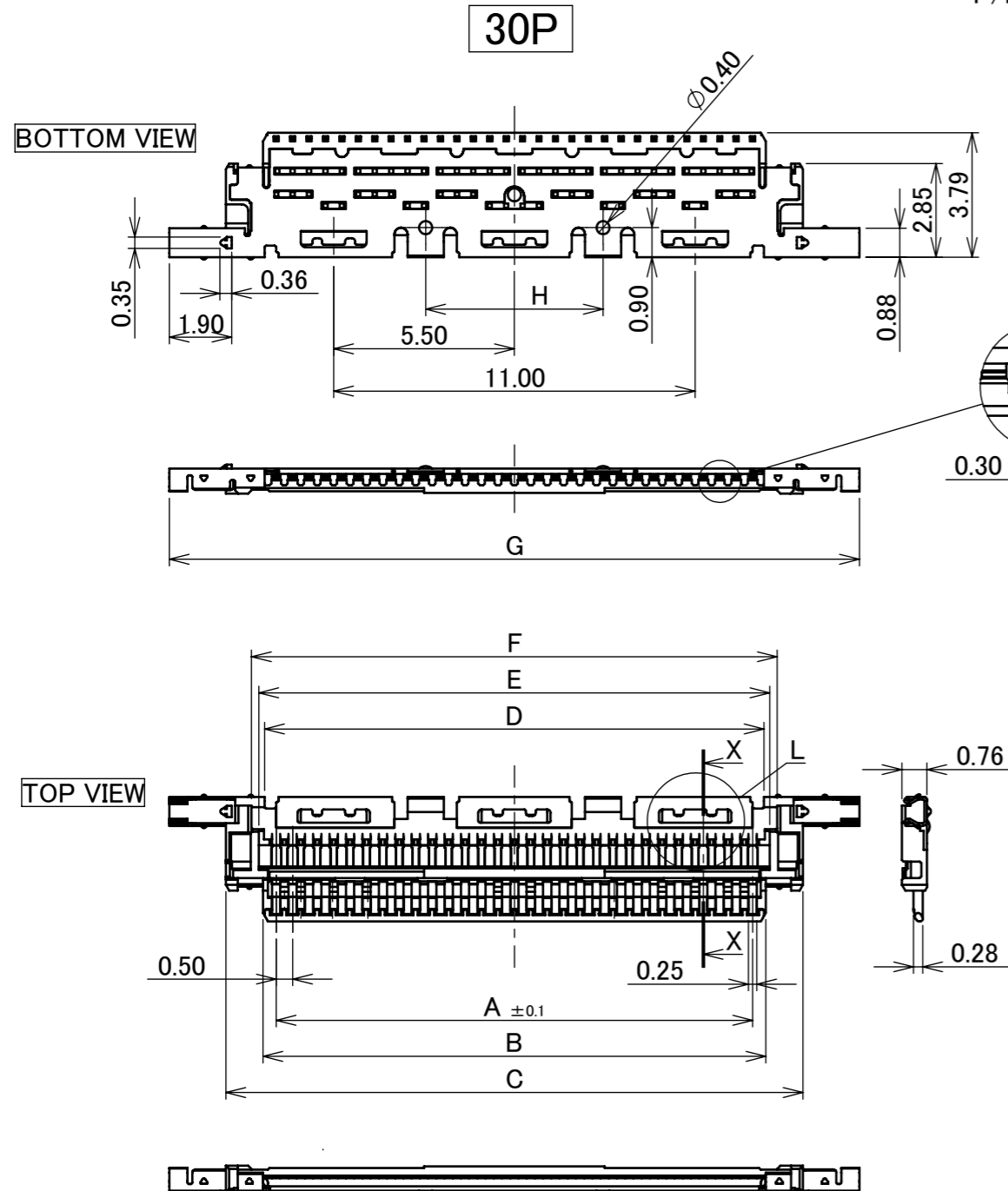


Recommended P/N		20454-2**T							
PART NO.	Pos.	A	B	C	D	E	F	G	H
20454-#20T	20	9.50	10.30	12.56	10.20	10.55	11.00	16.00	-
20454-#30T	30	14.50	15.30	17.56	15.20	15.55	16.00	21.00	5.40
20454-#40T	40	19.50	20.30	22.56	20.20	20.55	21.00	26.00	10.40

20454-#**T : STANDARD



SECT. X-X
S=15:1

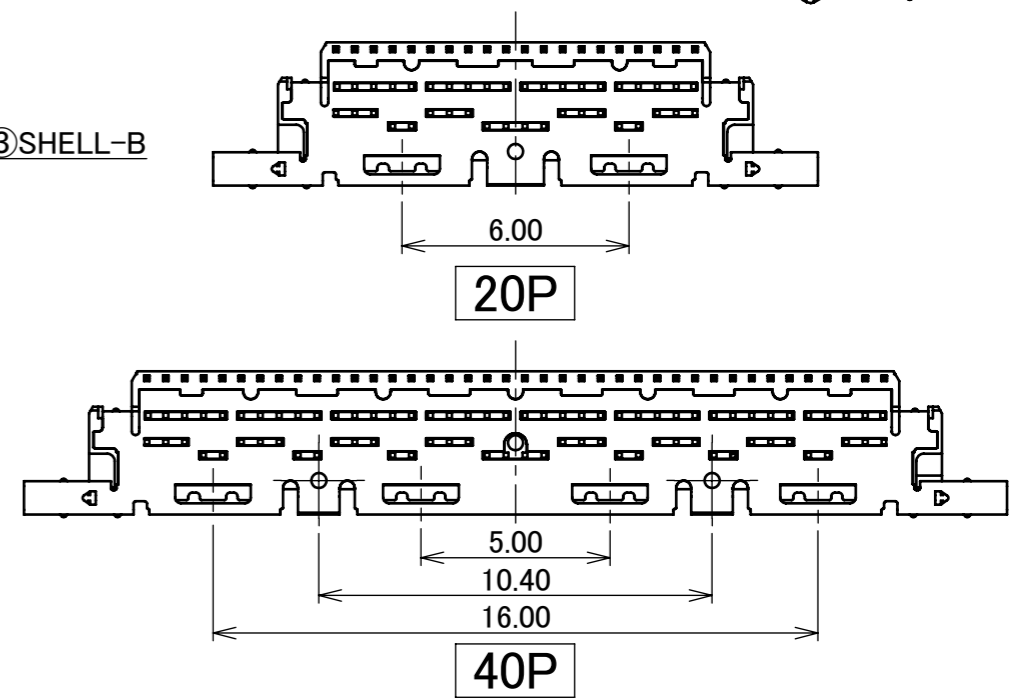
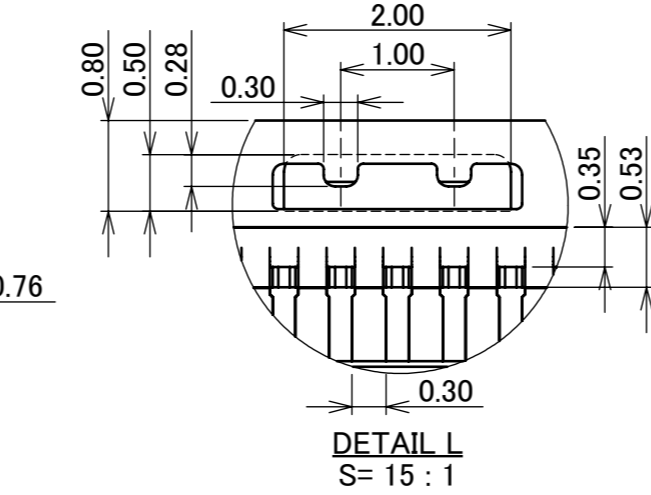


TABLE.1

PART NO.	CONTACT FINISH	SHELL-B FINISH
20454-0**T	CONTACT AREA : Au 0.1 μm MIN. OVER Ni 1.00 μm MIN. SOLDERING AREA : Au 0.05 μm MIN. OVER Ni 1.00 μm MIN.	TOP SIDE : Au 0.015 μm MIN. OVER Ni 1.00 μm MIN. BOTTOM SIDE : Au 0.05 μm MIN. OVER Ni 1.00 μm MIN.
20454-2**T	CONTACT AREA : Au 0.1 μm MIN. OVER Ni 1.00 μm MIN. SOLDERING AREA : Au 0.05 μm MIN. OVER Ni 1.00 μm MIN.	TOP SIDE : Ni 1.00 μm MIN. (THERE IS THE POSSIBILITY THAT Au ATTACHES RANDOMLY) BOTTOM SIDE : Au 0.03 μm MIN. OVER Ni 1.00 μm MIN.

NO.	DISCRIPTION	MATERIAL	FINISH , REMARKS
3	SHELL B	PHOSPHOR BRONZE	SEE ABOVE TABLE.1
2	CONTACT	PHOSPHOR BRONZE	SEE ABOVE TABLE.1
1	HOUSING	LCP	UL94V-0, BLACK

NOTES.
1. THIS PART IS ASSEMBLED WITH SHELL-A(P/N:2574-#**) AFTER SOLDERED THE CABLE, AND IT BECOMES P/N:20453-#**T-#**.
THIS PART IS ASSEMBLED WITH SHELL-A type-H(P/N:2699-#40) AFTER SOLDERED THE CABLE, AND IT BECOMES P/N:20508-040T-#**.
THIS PART IS ASSEMBLED WITH SHELL-A(P/N:2574-#**) AND ALIGNMENT COVER(P/N:2658-0**) AFTER SOLDERED THE CABLE, AND IT BECOMES P/N:20492-1**T.

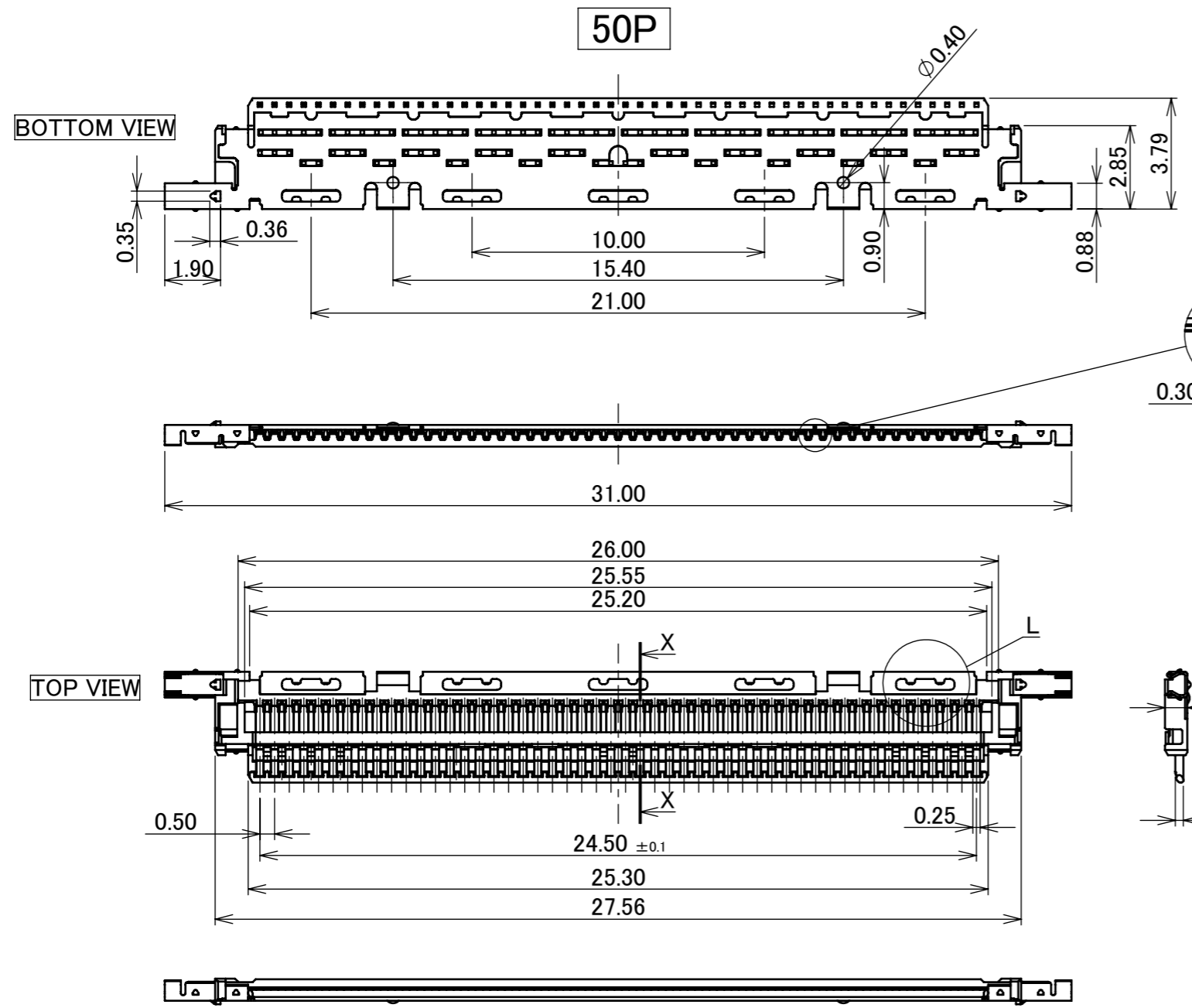
PATENT REGISTERED

REV.	ECN	BY	DATE	APP.	APP.	DWG. No.	20454	SIZE	SHEET	REV.
19	Z201153	T.Ono	Nov./05/'20	H.I	ANGLE ±2°	6 OVER 30 MAX.	±0.3	PROJECTION	SERIES No. R11	CUSTOMER COPY
18	Z191177	R.M	Sept./16/'19	H.I	6 MAX. ±0.2	30 OVER 120 MAX.	±0.5	TITLE CABLINE® -VS PLUG HOUSING ASS'Y	SCALE 5:1	I-PEX
17	Z180796	A.K	June/20/'18	H.I	GENERAL TOLERANCE.		UNIT mm			
16	Z151047	H.I	Sept./23/'15	Y.S	DWG. H.Ikari	DATE 2008/04/16		SIZE A3	SHEET 1/4	REV. 19
15	Z150428	H.I	Apr./15/'15	E.K	CHK.					
14	Z141346	K.T	Nov./25/'14	E.K	APP.					
REVISION RECORD					E.Kawabe	2008/04/17				

Recommended P/N 20454-250T-01

PART NO.	Pos.
20454-#50T-01	50

20454-#50T-01 : TYPE-i



P/N:20454- # 50 T-01
Pos. SEE TABLE.2

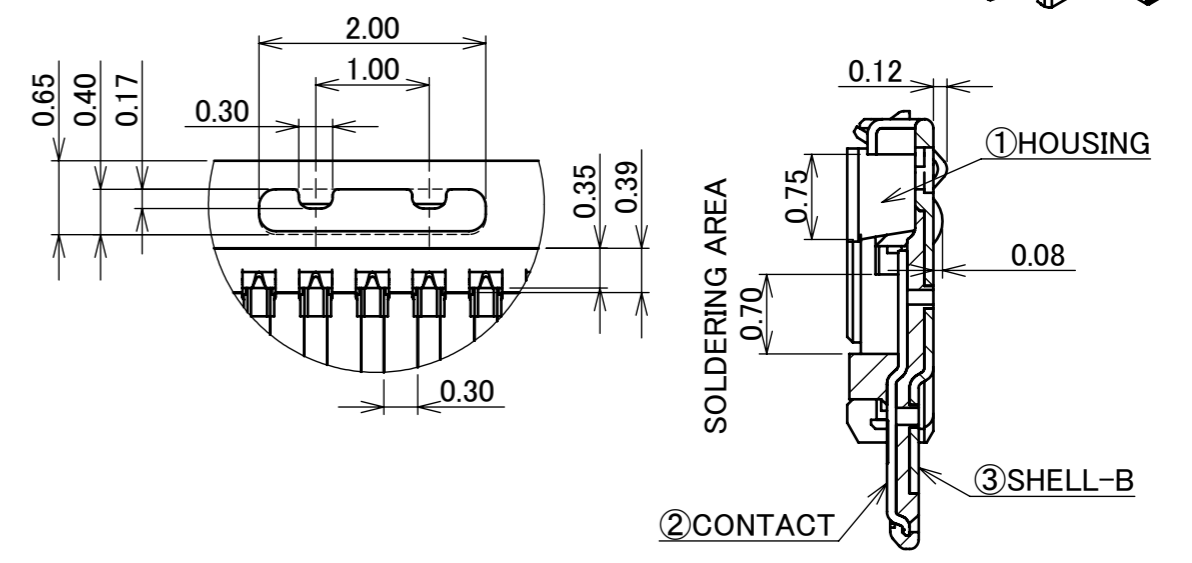
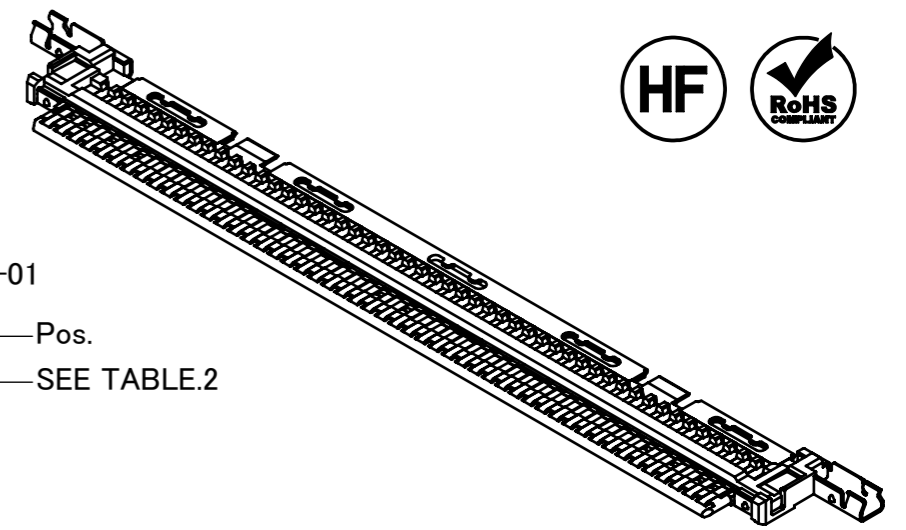


TABLE.2

PART NO.	CONTACT FINISH	SHELL-B FINISH
20454-0**T-01	CONTACT AREA : Au 0.1 μm MIN. OVER Ni 1.00 μm MIN. SOLDERING AREA : Au 0.05 μm MIN. OVER Ni 1.00 μm MIN.	TOP SIDE : Au 0.015 μm MIN. OVER Ni 1.00 μm MIN. BOTTOM SIDE : Au 0.05 μm MIN. OVER Ni 1.00 μm MIN.
20454-2**T-01	CONTACT AREA : Au 0.1 μm MIN. OVER Ni 1.00 μm MIN. SOLDERING AREA : Au 0.05 μm MIN. OVER Ni 1.00 μm MIN.	TOP SIDE : Ni 1.00 μm MIN. (THERE IS THE POSSIBILITY THAT Au ATTACHES RANDOMLY) BOTTOM SIDE : Au 0.03 μm MIN. OVER Ni 1.00 μm MIN.

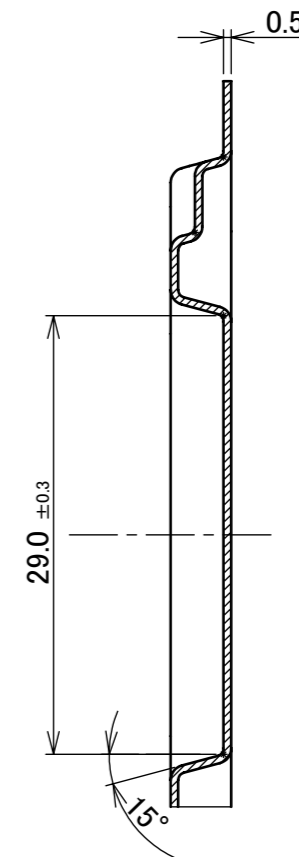
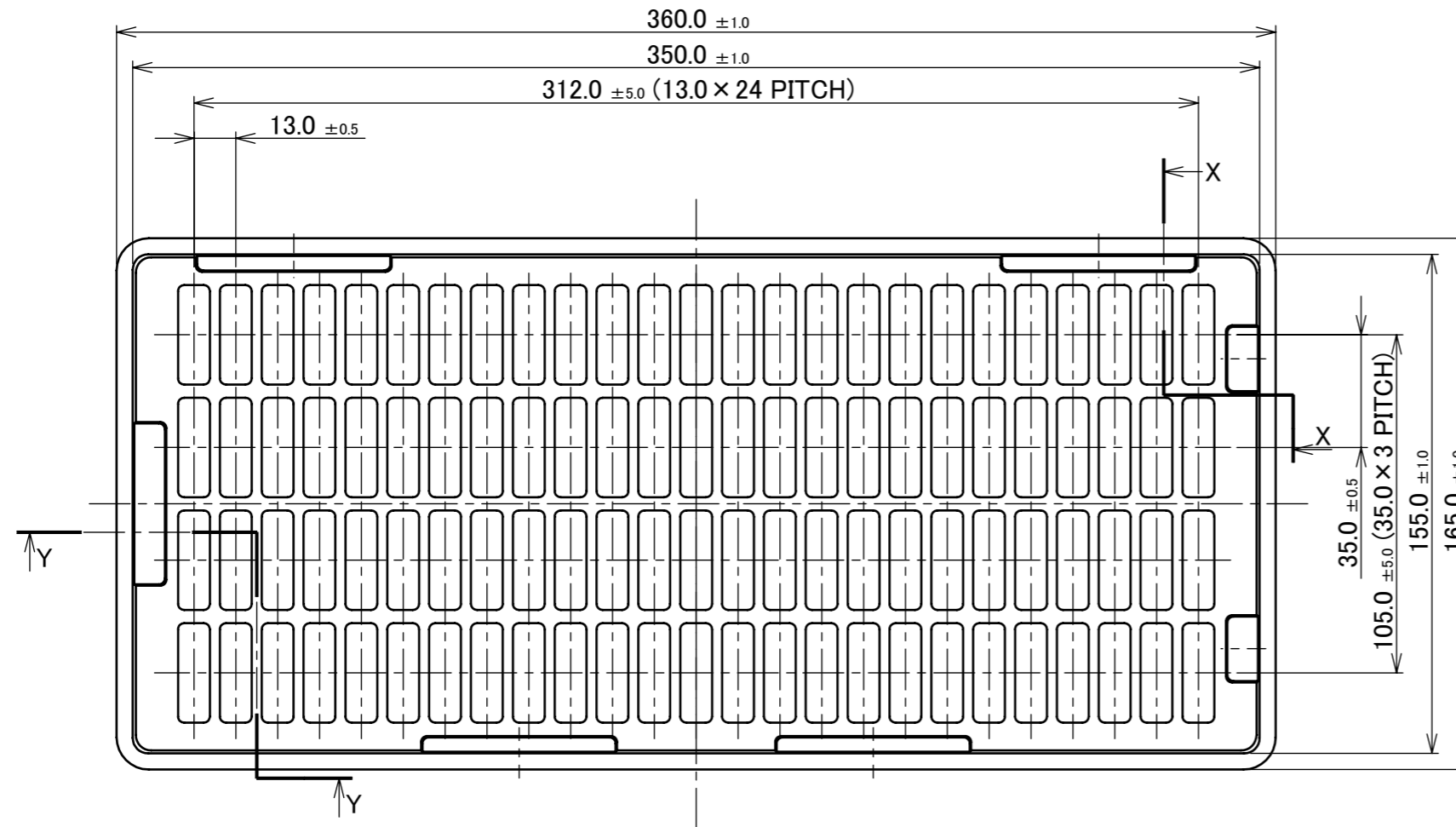
3	SHELL B	PHOSPHOR BRONZE	SEE ABOVE TABLE.2
2	CONTACT	PHOSPHOR BRONZE	SEE ABOVE TABLE.2
1	HOUSING	LCP	UL94V-0, BLACK
NO.	DISCRIPTION	MATERIAL	FINISH , REMARKS

PATENT REGISTERED

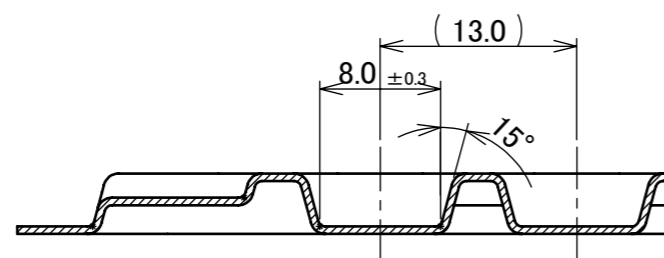
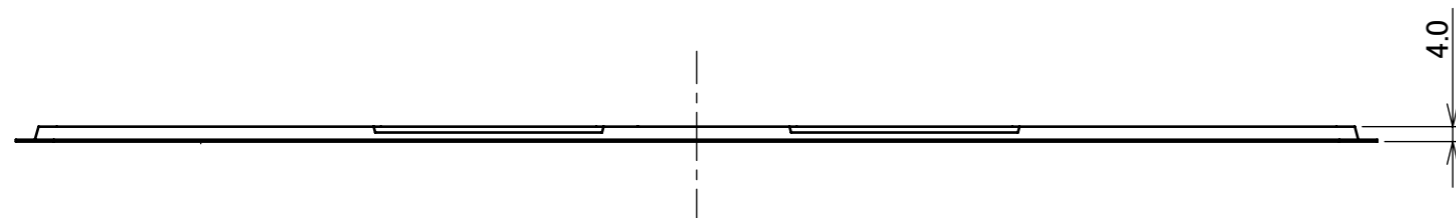
ANGLE	±2°	6 OVER 30 MAX.	±0.3	PROJECTION ⊕	SERIES No. R11	CUSTOMER COPY
	6 MAX.	±0.2	30 OVER 120 MAX.			
GENERAL TOLERANCE.				TITLE		SCALE 5:1
DWG.	DATE			CABLINE® -VS PLUG HOUSING ASS'Y		
CHK.						UNIT mm
REV.	ECN	BY	DATE	APP.	DWG. No.	
REVISION RECORD				20454		SHEET 2/4
						REV. 19

PART NO.	QTY. IN DITCH (PIECES / DITCH)	QTY. IN TRAY (PIECES / TRAY)	QTY. PER SHIPPING CARTON (TRAYS / CARTON)	QTY. PER PACKING CARTON (TRAYS / CARTON)	PACKING STANDARD
20454-#20T	1	100	20 / CARTON = 2000	8000 (4BOXES)	300-641
20454-#30T					
20454-#40T					

FOR 20, 30, 40P



SECT. X-X
(S-2/1)

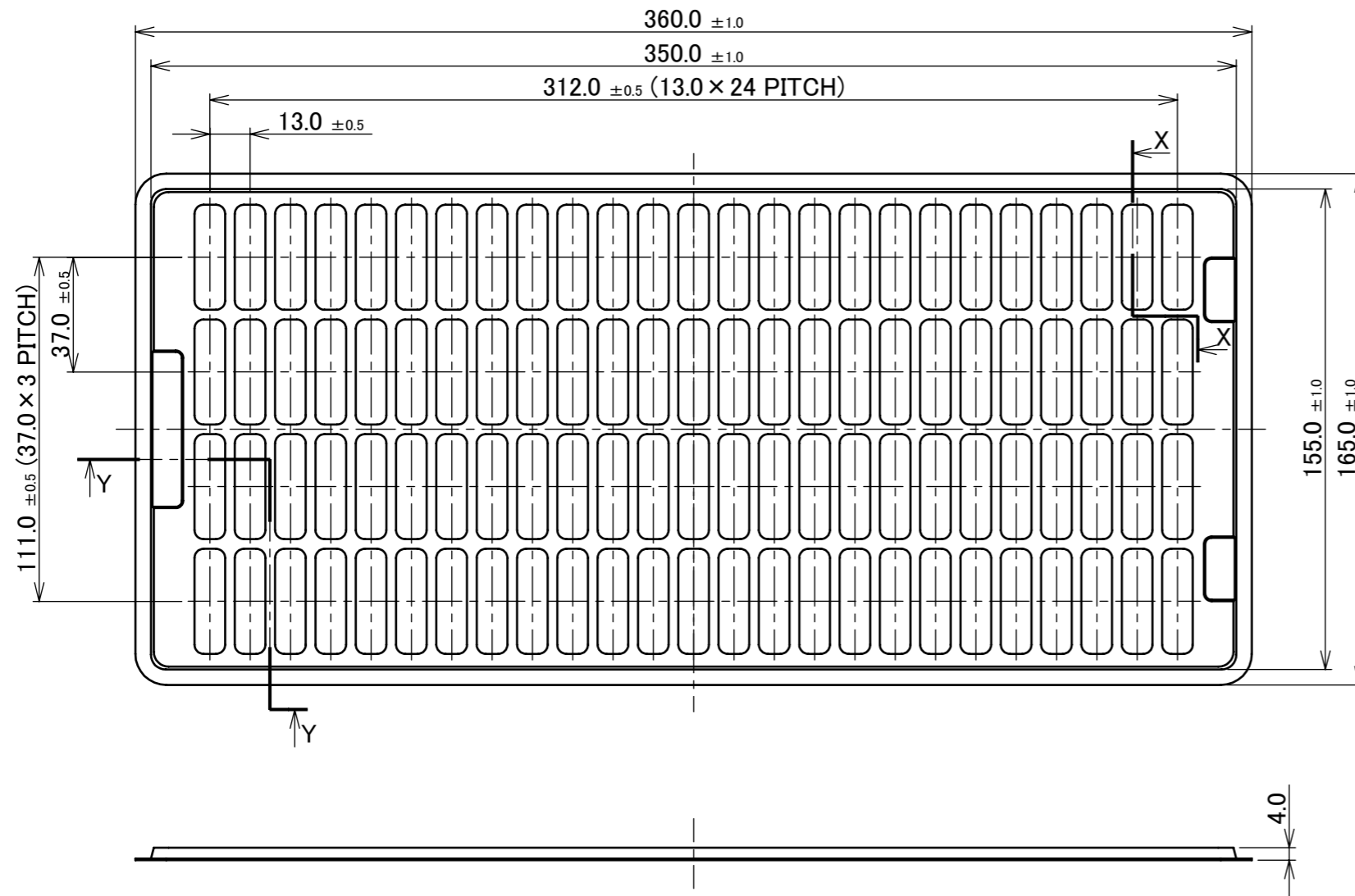


SECT. Y-Y
(S-2/1)

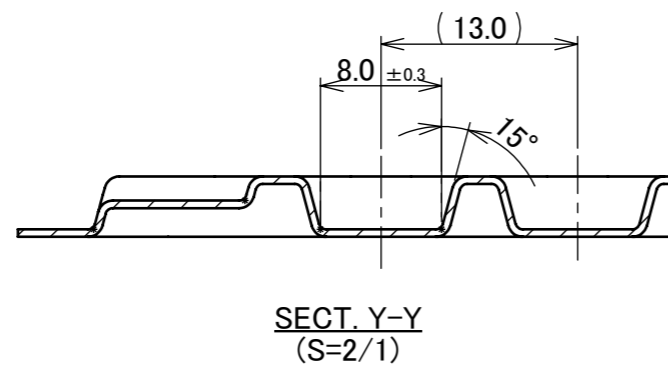
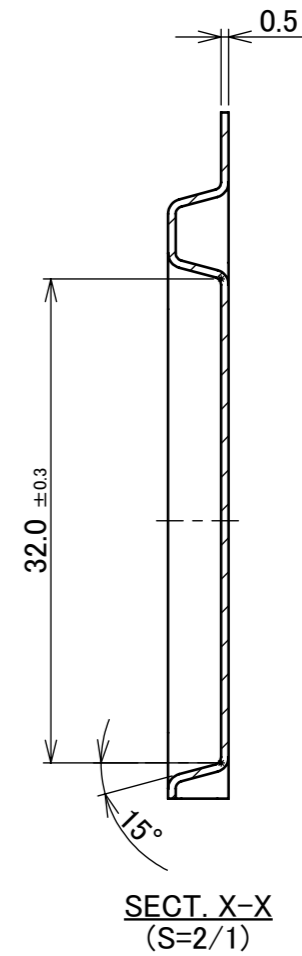
NO.	DISCRIPTION	MATERIAL	FINISH , REMARKS
5	TRAY	PP	ANTI-STATIC TYPE

ANGLE	±2°	6 OVER 30 MAX.	±0.3	PROJECTION ⊕ ◁	SERIES No. R11	CUSTOMER COPY
6 MAX.	±0.2	30 OVER 120 MAX.	±0.5			
GENERAL TOLERANCE.				TITLE	SCALE	I-PEX
DWG.	DATE			CABLIN [®] -VS PLUG HOUSING ASS'Y	1:2	
CHK.					UNIT mm	
APP.		DWG. No.	20454	SIZE A3	SHEET 3/4	REV. 19

PART NO.	QTY. IN DITCH (PIECES / DITCH)	QTY. IN TRAY (PIECES / TRAY)	QTY. PER SHIPPING CARTON (TRAYS / CARTON)	QTY. PER PACKING CARTON (TRAYS / CARTON)	PACKING STANDARD
20454-#50T-01	1	100	20 / CARTON = 2000	8000 (4BOXES)	300-641



FOR 50P



6 NO.	TRAY DISCIPTION	PS MATERIAL	ANTI-STATIC TYPE FINISH , REMARKS

ANGLE	±2°	6 OVER 30 MAX.	±0.3	PROJECTION	SERIES No.	CUSTOMER COPY		
6 MAX.	±0.2	30 OVER 120 MAX.	±0.5		R11			
GENERAL TOLERANCE.				TITLE	SCALE	I-PEX		
DWG.	DATE			CABLIN [®] -VS PLUG HOUSING ASS'Y	1:2			
CHK.					UNIT			
APP.				DWG. No.	mm			
				20454	SIZE	SHEET	REV.	
					A3	4/4	19	