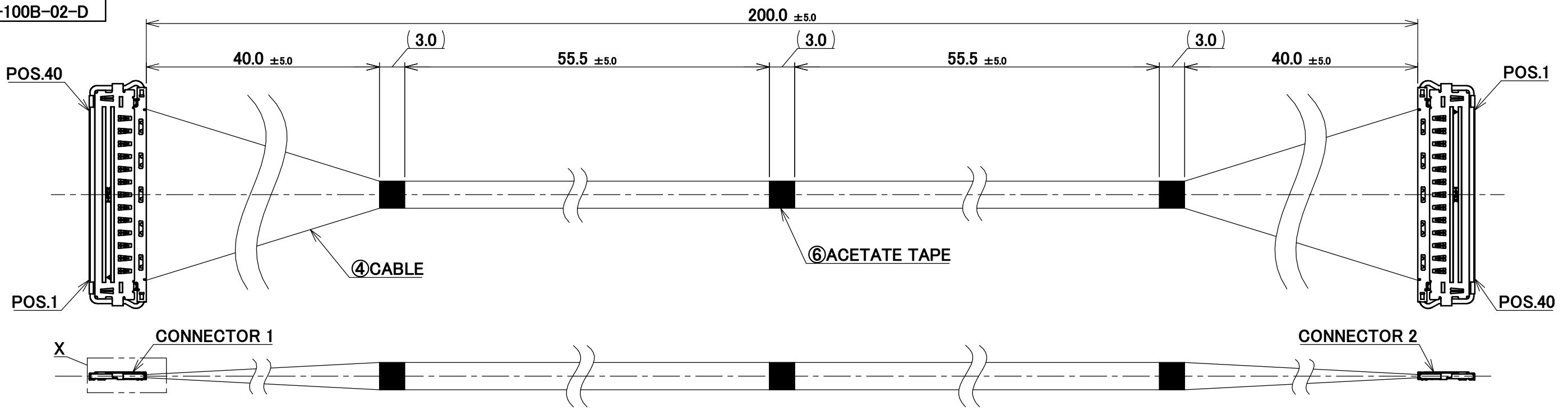
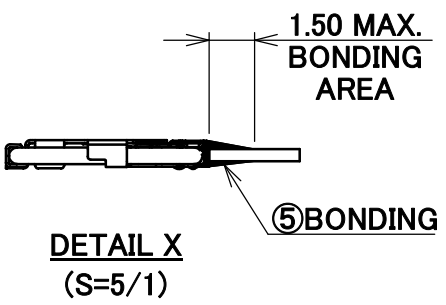
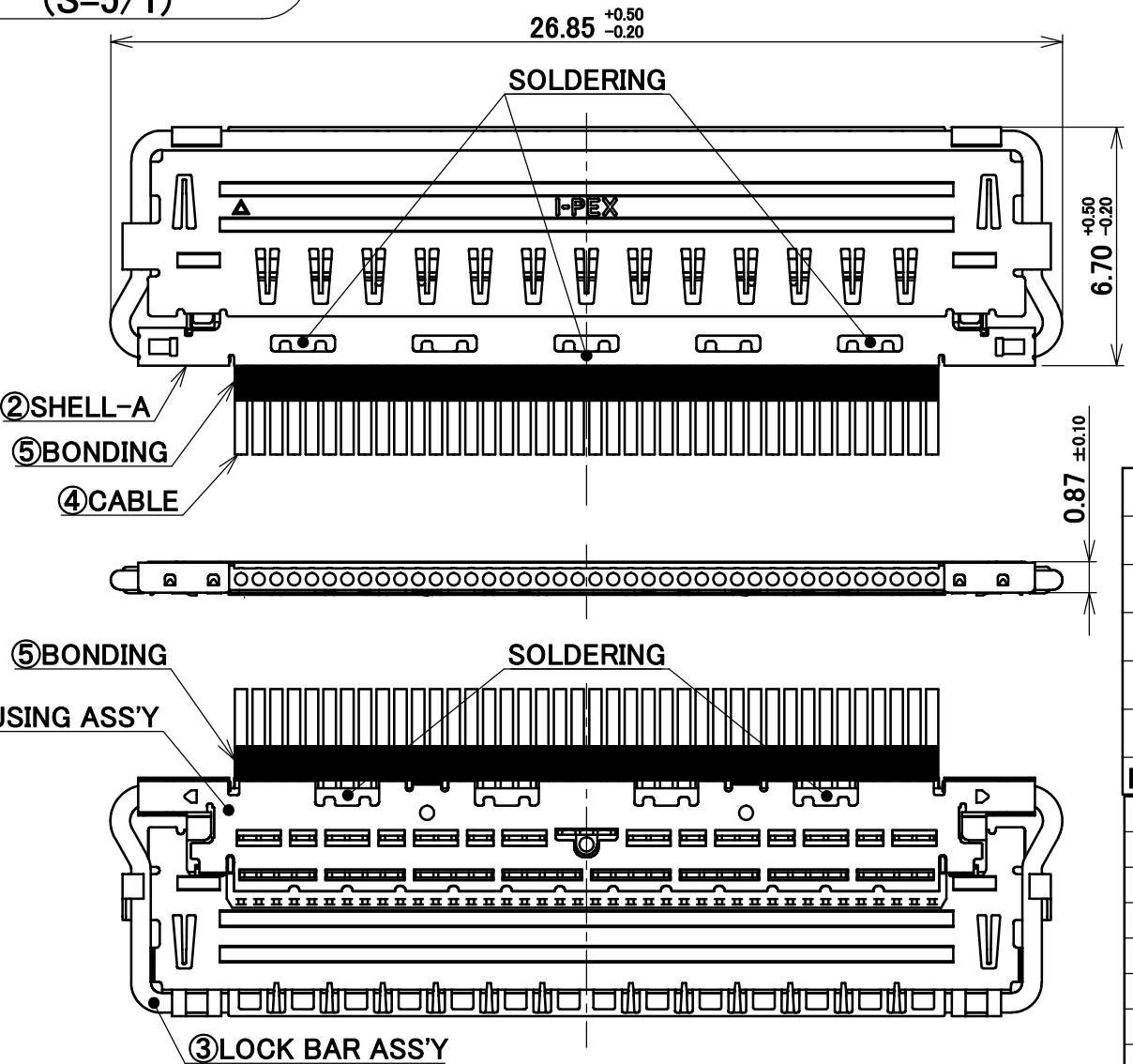


PART No.
81458-100B-02-D



CONNECTOR 1&2
(S=5/1)



NOTE.

- TO HANDLE THIS CONNECTOR YOU MUST READ AND FOLLOW THE INSTRUCTION MANUAL BELOW. I-PEX INSTRUCTION MANUAL No.HIM-17015.
- ELECTRIC CHARACTERISTICS
WITHSTANDVOLTAGE : AC 250V(1SEC.) LEAKAGE CURRENT 2.0mA MAX.
INSULATION RESISTANCE : 50MΩ MIN. DC 100V (0.5SEC.)
- THE OPERATING TEMPERATURE OF THE HARNESS : 80°C MAX.

| PIN ASSIGNMENT | | |
|----------------|---|-------------|
| CONNECTOR 1 | CABLE | CONNECTOR 2 |
| 40 | MICRO-COAXIAL CABLE AWG#40 50 OHM, BLUE | 1 |
| 39 | MICRO-COAXIAL CABLE AWG#40 50 OHM, BLUE | 2 |
| . | MICRO-COAXIAL CABLE AWG#40 50 OHM, BLUE | . |
| 2 | MICRO-COAXIAL CABLE AWG#40 50 OHM, BLUE | 39 |
| 1 | MICRO-COAXIAL CABLE AWG#40 50 OHM, BLUE | 40 |

| NO. | DESCRIPTION | PARTS NO. | QTY | REMARK |
|-----|----------------|---------------|-----|--|
| 6 | ACETATE TAPE | - | 3 | BLACK |
| 5 | BONDING | - | - | UV GLUE |
| 4 | CABLE | - | 40 | MICRO-COAXIAL CABLE AWG#40 50 OHM, BLUE |
| 3 | LOCK BAR ASS'Y | 20848-040T-01 | 2 | CONNECTOR 1 & 2 CABLIN®-VS II PLUG P/N : 20846-040T-01 CONNECTOR TO BE MATED : 20849-040E-01 |
| 2 | SHELL-A | 3427-0401 | 2 | |
| 1 | HOUSING ASS'Y | 20847-040T-01 | 2 | |

| | | | | | | | | | | | | | |
|-----------------|---------|-----|--------------|------|--------------------|---------|------------------|------|---------------------------------------|-------------------------|---------------|--------------|-----------|
| REVISION RECORD | | | | | ANGLE | ±2° | 6 OVER 30 MAX. | ±0.3 | PROJECTION ⊕ | SERIES No. IH-200016 | CUSTOMER COPY | | |
| | | | | | 6 MAX. | ±0.2 | 30 OVER 120 MAX. | ±0.5 | | | | | |
| | | | | | GENERAL TOLERANCE. | | | | TITLE CABLIN®-VS II 40P HARNESS | SCALE 2:1 | UNIT mm | SHEET 1/1 | REV. 1 |
| 1 | Z231133 | R.T | Sept./20/'23 | H.I | DWG. | K.Baba | | DATE | | | | | |
| 0 | Z200915 | K.B | Sept./02/'20 | | CHK. | R.Takei | | | | DWG. No. 81458 | SIZE A3 | SHEET 1/1 | REV. 1 |
| REV. | ECN | BY | DATE | APP. | APP. | H.Ikari | | | | | | | |