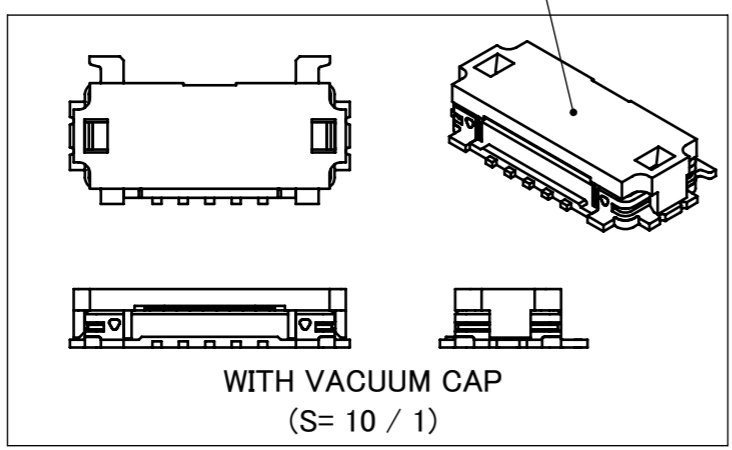
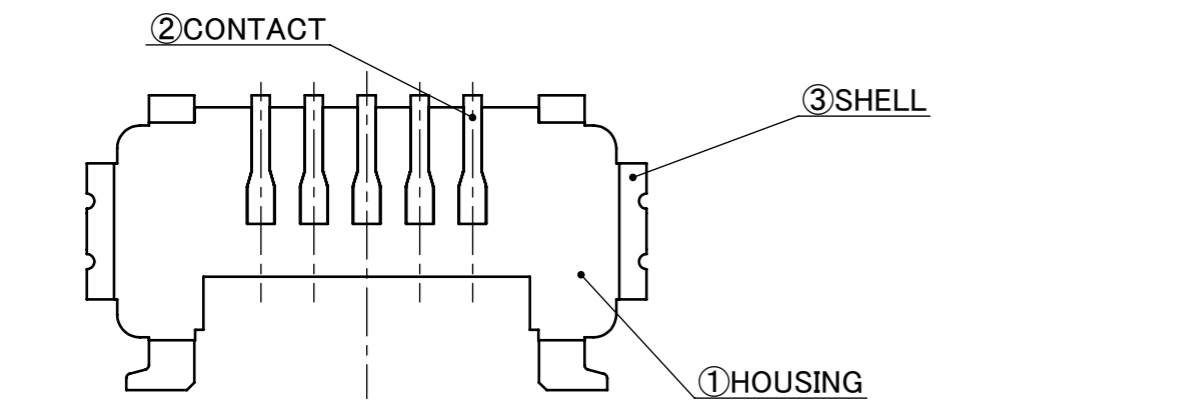
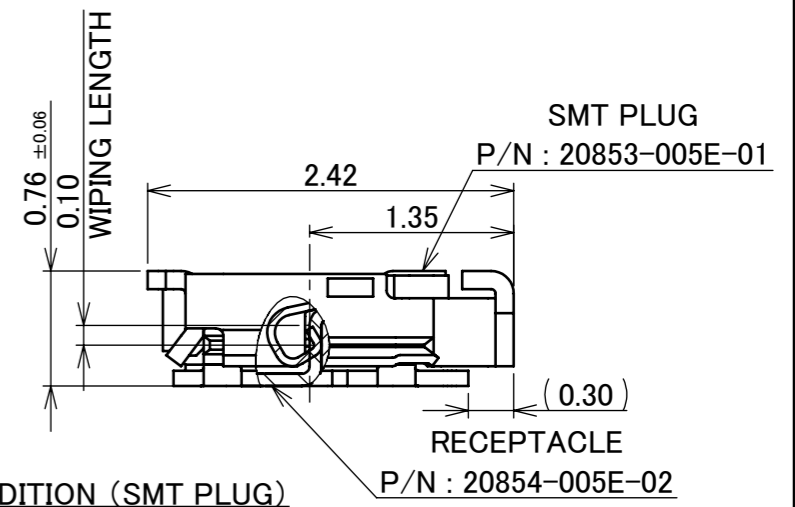
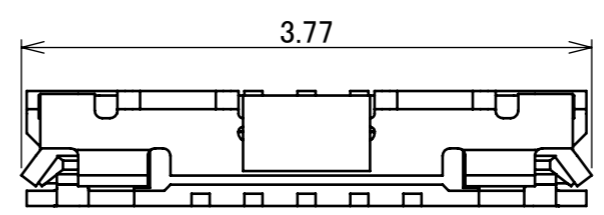
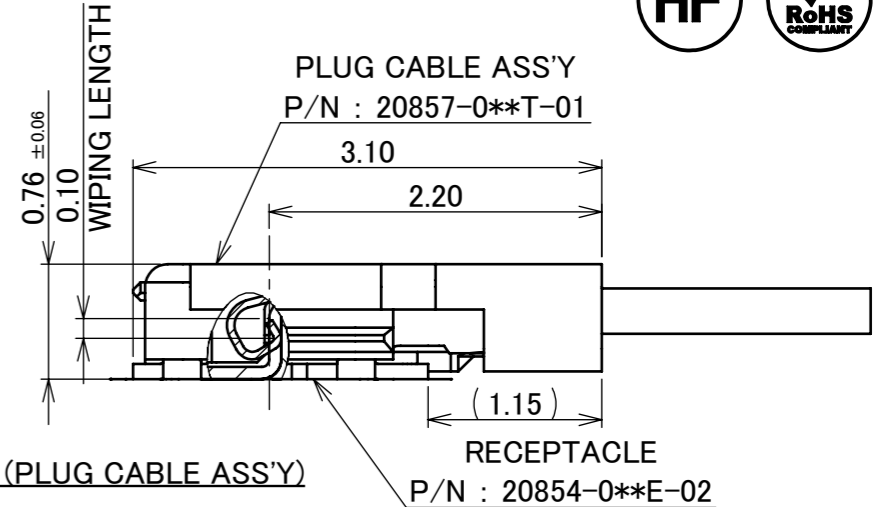
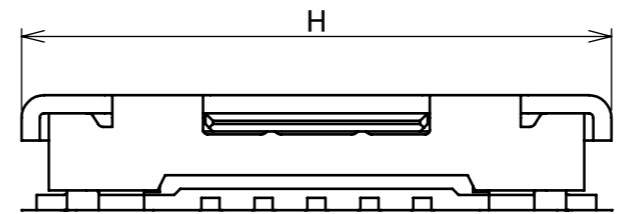
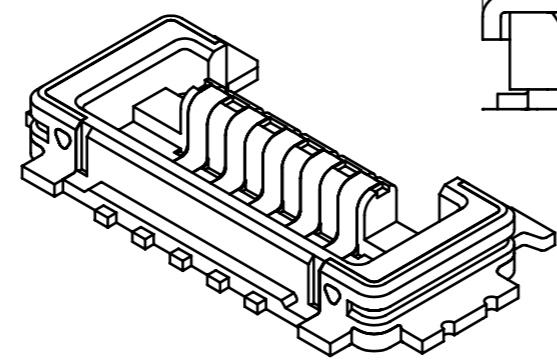
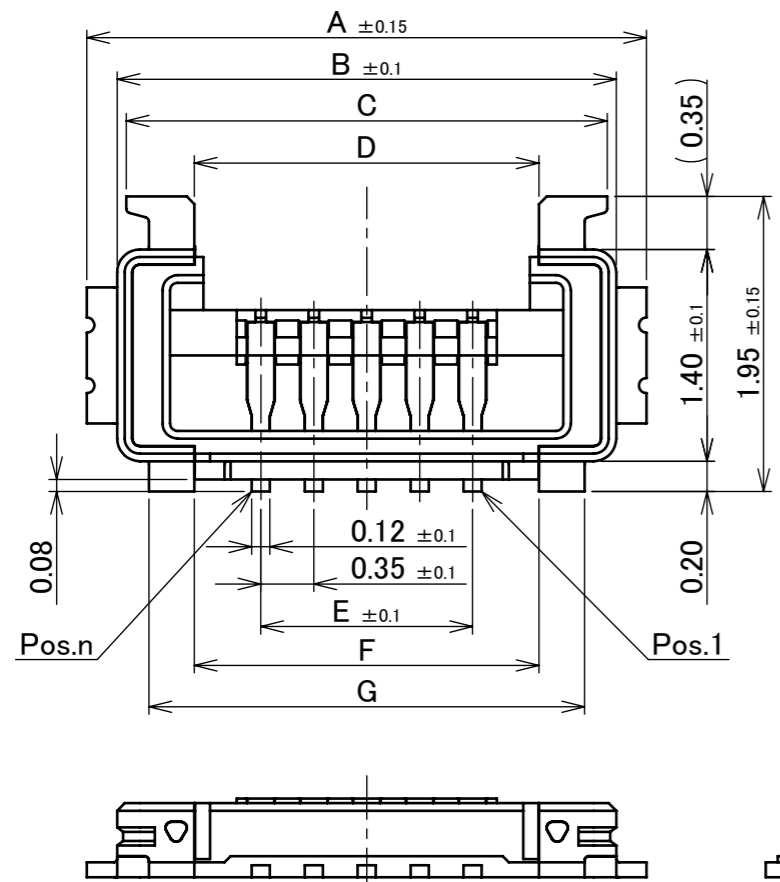
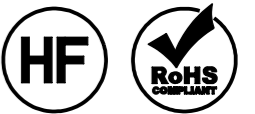


Recommended P/N 20854-0**E-02

PART NO.	Pos.	A	B	C	D	E	F	G	H	J
20854-005E-02	5	3.70	3.30	3.18	2.28	1.40	2.28	2.88	3.90	2.90
20854-010E-02	10	5.45	5.05	4.93	4.03	3.15	4.03	4.63	5.65	4.65



NOTE.
1. COPLANARITY: 0.08mm MAX.

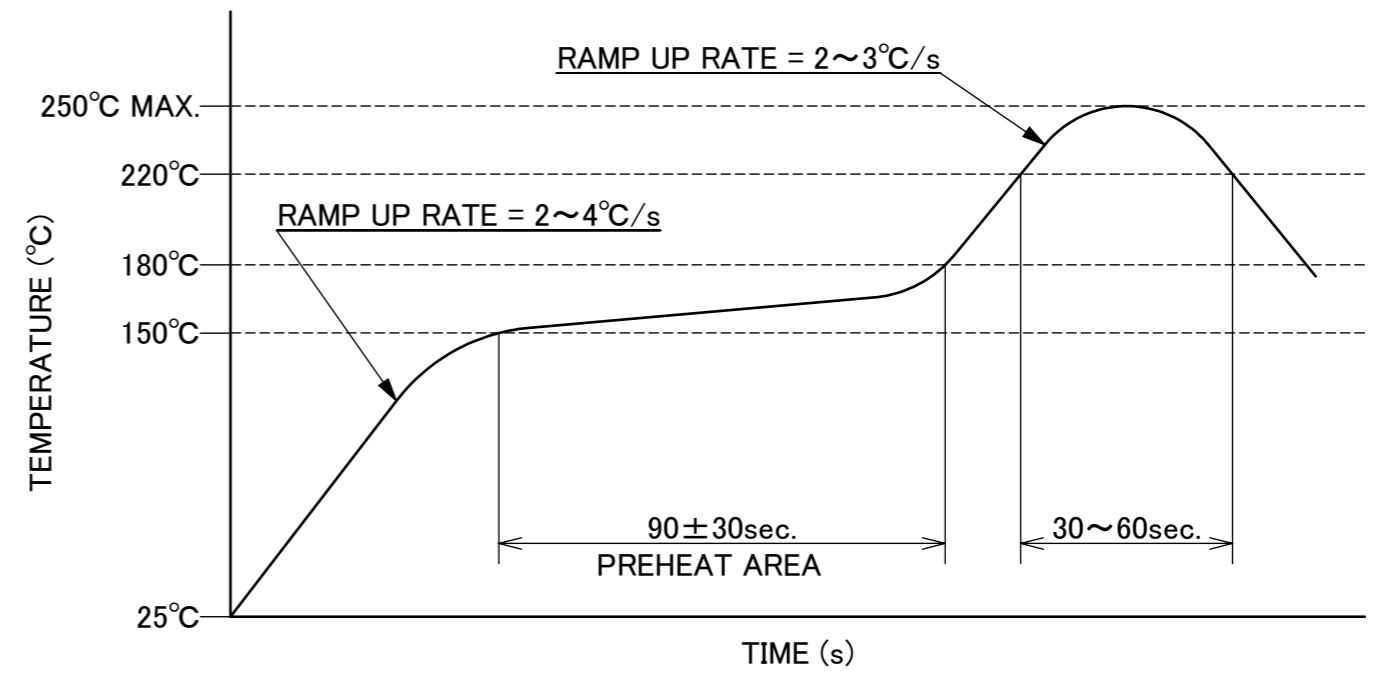
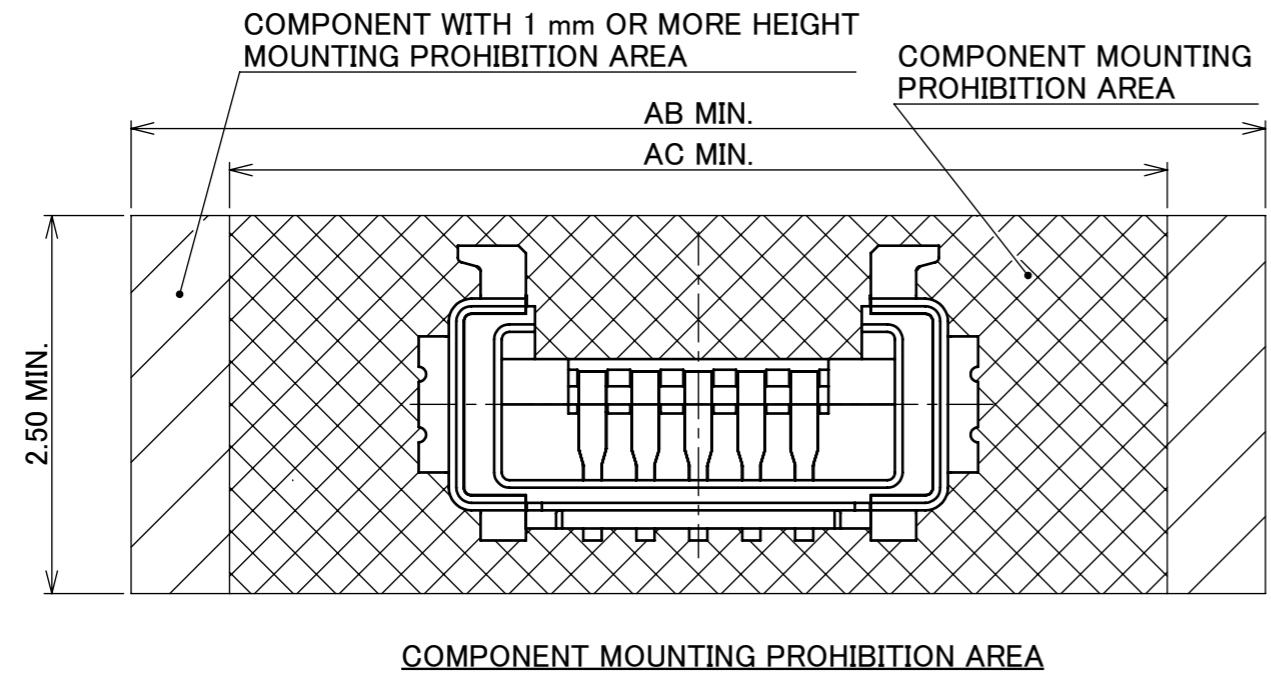
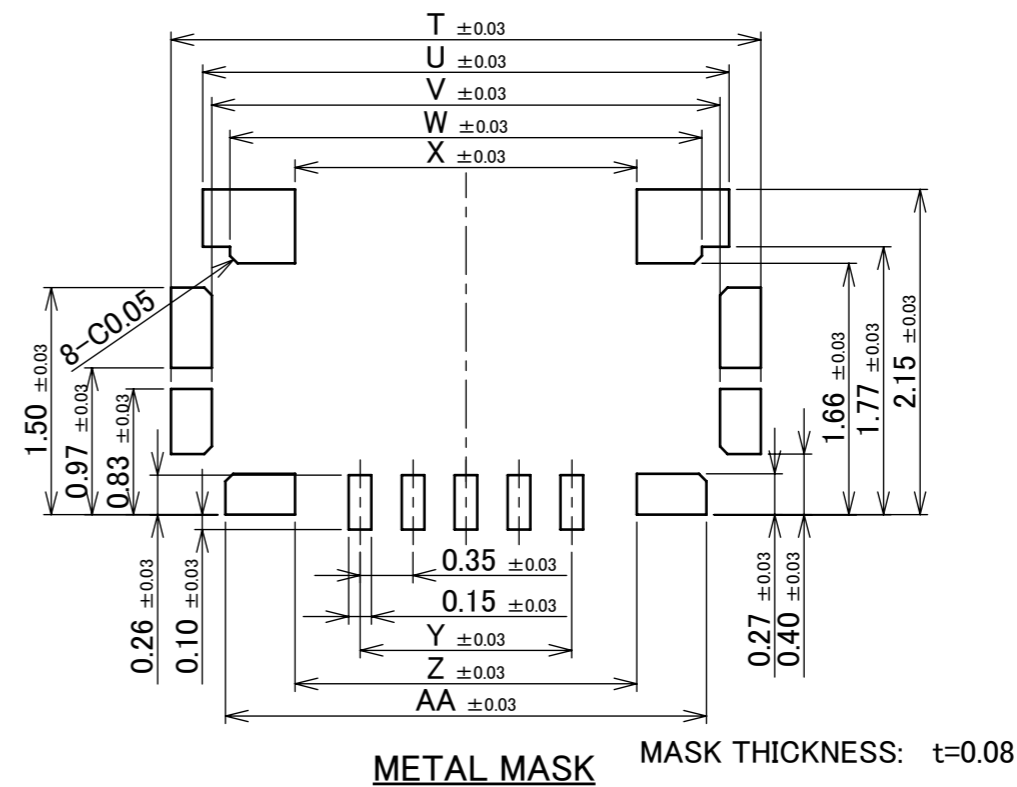
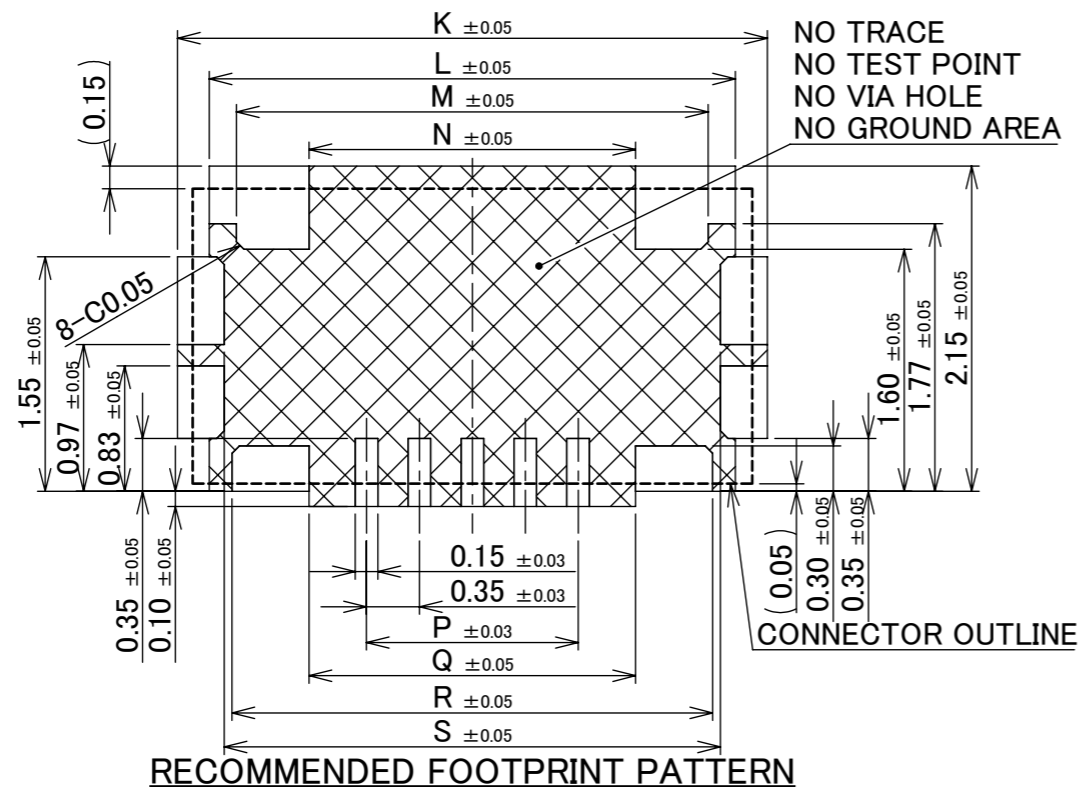
NO.	DESCRIPTION	MATERIAL	FINISH , REMARKS
4	VACUUM CAP	LCP	UL94V-0, BLACK
3	SHELL	PHOSPHOR BRONZE	ALL OVER Ni 1.00 μm MIN. CONTACT PART: Au 0.01 μm MIN. SOLDERING PART: Au 0.01 μm MIN.
2	CONTACT	PHOSPHOR BRONZE	ALL OVER Ni 1.00 μm MIN. CONTACT PART: Au 0.05 μm MIN. SOLDERING PART: Au 0.03 μm MIN.
1	HOUSING	LCP	UL94V-0, BLACK

REV.	ECN	BY	DATE	APP.	ANGLE	6 OVER 30 MAX.	±0.3	PROJECTION	SERIES No.	CUSTOMER COPY
3	Z200309	Y.F	2020/03/13	T.Y	±2°	6 OVER 30 MAX.	±0.3	⊕	R8	TITLE CABLINE®-UY RECEPTACLE SCALE 20:1 UNIT mm SIZE A3 SHEET 1/4 REV. 3
2	Z200022	Y.F	2020/01/10	Y.S	6 MAX.	±0.2	30 OVER 120 MAX.	⊕	R8	
1	Z190941	Y.F	2019/07/25	Y.S	GENERAL TOLERANCE.			⊕	R8	
0	Z181542	S.K	2018/12/03		DWG.	S.Kawamura	DATE	2018/12/03		
REV.	ECN	BY	DATE	APP.	CHK.	K.Yufu	DATE	2018/12/03		
REVISION RECORD					APP.	K.Yotsutani	DATE	2018/12/03	DWG. No.	20854

ITEMS	SPECIFICATION	
APPLICABLE CONNECTOR PART No.	20857-0**T-01 (PLUG CABLE ASS'Y)	20853-005E-01 (SMT PLUG) (5P RECEPTACLE ONLY)
APPLICABLE CABLE	MICRO COAX : AWG# 42 DISCRETE : AWG# 36	-
RATING VOLTAGE	60V AC (PER A CONTACT)	
RATING AMPERAGE (FOR CONTACT)	0.35 AC/DC [AWG#42] PER CONTACT 0.5 AC/DC [AWG#36] PER CONTACT	-
OPERATING TEMPERATURE	233~358K(-40°C~+85°C)	
OPERATING HUMIDITY	85% MAX.(NON-CONDENSING)	
CONTACT RESISTANCE	INITIAL : 700mohm MAX.(AWG#42) 275mohm MAX.(AWG#36) / AFTER TEST : Δ R 40mohm MAX.	INITIAL : 80mohm MAX. / AFTER TEST : Δ R 40mohm MAX.
GROUND CONTACT RESISTANCE	INITIAL : 60mohm MAX. / AFTER TEST : Δ R 40mohm MAX.	
INSULATION RESISTANCE	INITIAL : 500Mohm MIN. / AFTER TEST : 100Mohm MIN.	
DIELECTRIC WITHSTANDING VOLTAGE	AC200V 1min	
DURABILITY	30 CYCLES	
MATING FORCE (INITIAL / AFTER TEST)	5P : INITIAL: 30N MAX. / AFTER TEST: 30N MAX. 10P : INITIAL: 30N MAX. / AFTER TEST: 30N MAX.	
UNMATING FORCE (INITIAL / AFTER TEST)	5P : INITIAL: 5N MIN. / AFTER TEST: 3N MIN. 10P : INITIAL: 5N MIN. / AFTER TEST: 3N MIN.	
CABLE RETENTION FORCE	5P : 2.45N MIN. 10P : 4.9N MIN.	-
COPLANARITY	0.08 MAX.	
PRODUCT SPECIFICATION	PRS-2634	PRS-2635
TEST REPORT	TR-19084	TR-19085
PACKING STANDARD	PST-18040	
INSTRUCTION MANUAL	HIM-18037	HIM-18038
APPEARANCE CRITERIA No.	QLS-A***	QLS-A***

ANGLE	$\pm 2^\circ$	6 OVER 30 MAX.	± 0.3	PROJECTION 	SERIES No. R8	CUSTOMER COPY	
	6 MAX.	± 0.2	30 OVER 120 MAX.				± 0.5
GENERAL TOLERANCE.				TITLE CABLIN [®] -UY RECEPTACLE	SCALE -	UNIT mm	
DWG.	DATE						
CHK.	DATE						
APP.	DATE						
				DWG. No.	20854	SIZE A3	
						SHEET 2/4	REV. 3

PART NO.	Pos.	K	L	M	N	P	Q	R	S	T	U	V	W	X	Y	Z	AA	AB	AC
20854-005E-02	5	3.90	3.48	3.12	2.16	1.40	2.16	3.18	3.28	3.90	3.48	3.36	3.12	2.26	1.40	2.26	3.18	7.50	6.20
20854-010E-02	10	5.65	5.23	4.87	3.91	3.15	3.91	4.93	5.03	5.65	5.23	5.11	4.87	4.01	3.15	4.01	4.93	9.25	7.95

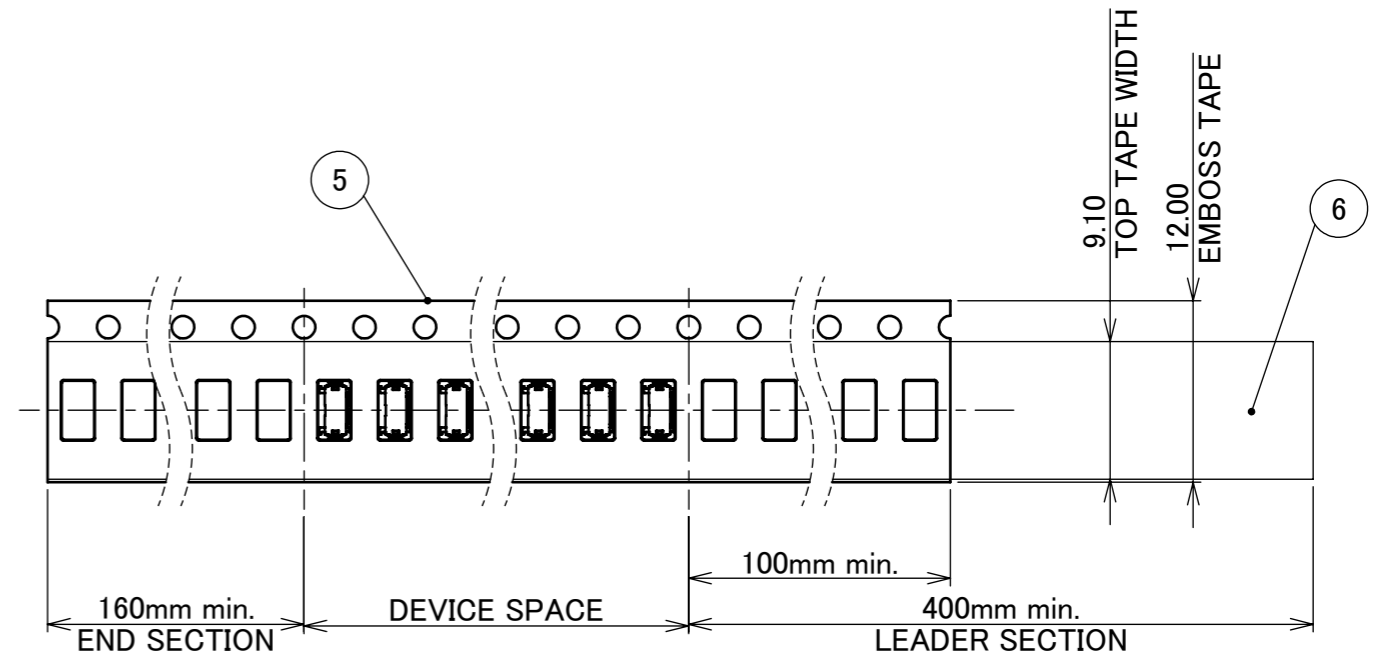
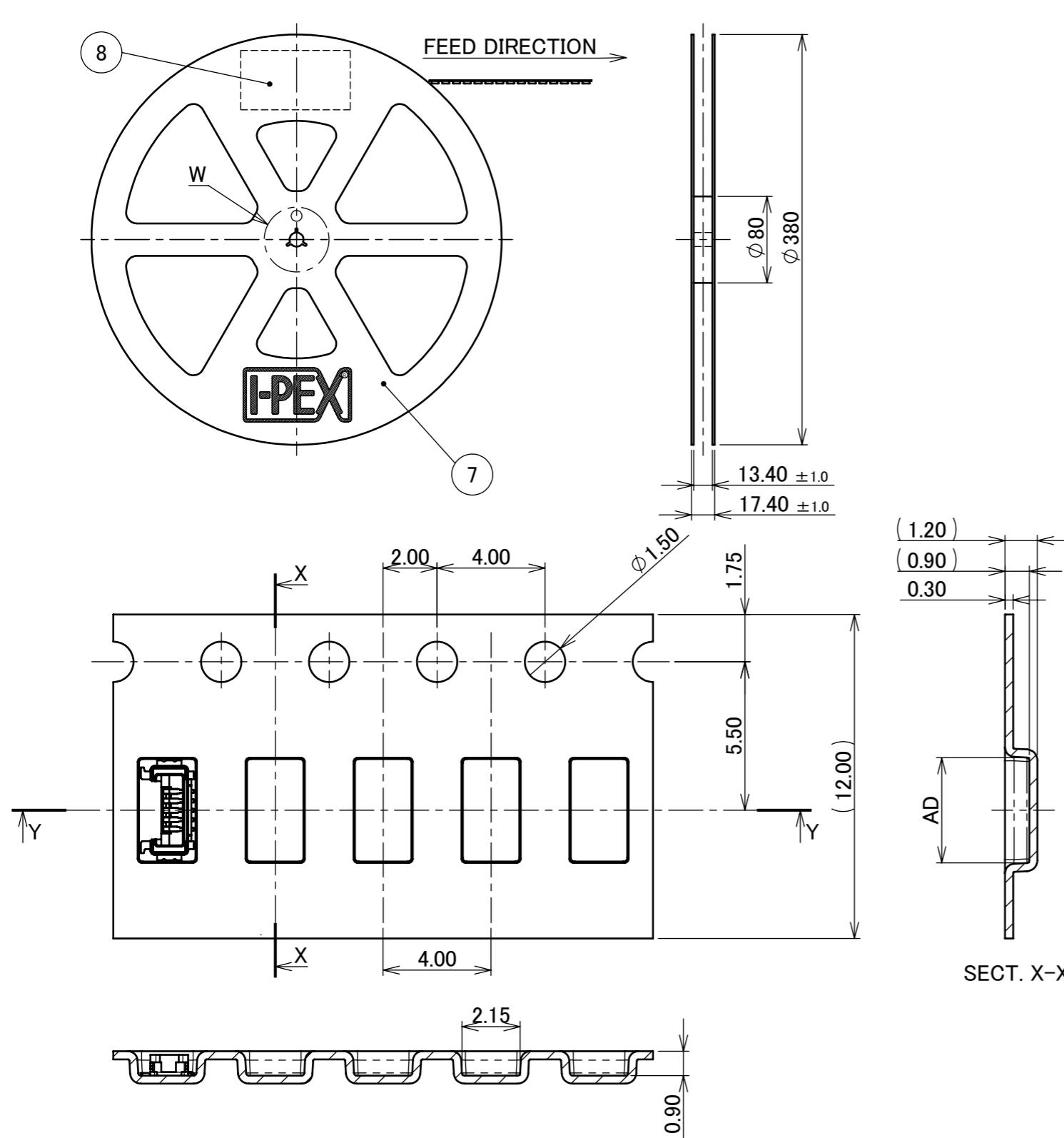


REFLOW TEMPERATURE PROFILE
SENJU METAL INDUSTRY CO., LTD. : M705-SHF(Sn96.5 Ag3.0 Cu0.5)

NOTE.
2. SOLDER RESIST SHALL BE APPLIED TO PREVENT SHORT CIRCUITS WHEN PLACING SIGNAL LINES ON GROUND AREA.

ANGLE	±2°	6 OVER 30 MAX.	±0.3	PROJECTION ⊕	SERIES No. R8	CUSTOMER COPY
6 MAX.	±0.2	30 OVER 120 MAX.	±0.5			
GENERAL TOLERANCE.				TITLE CABLIN [®] -UY RECEPTACLE	DWG. No. 20854	SCALE
DWG.	DATE		20:1			
CHK.	DATE		UNIT mm			
APP.	DATE		SIZE A3			
						SHEET 3/4
						REV. 3

PART NO.	Pos.	AD	QTY. PRE EMOSS REEL (PIECES / REEL)	QTY. PRE PACKING CARTON (REEL / CARTON)
20854-005E-02	5	3.90	15,000 / REEL	9 / CARTON = 135,000
20854-010E-02	10	5.65	10,000 / REEL	9 / CARTON = 90,000



SECT. X-X

SECT. Y-Y

- NOTES.
- TAPING SPECIFICATION FOLLOWS JIS C 0806 (IEC 60286-3).
 - MAKE EMPTY SECTION OF LEADER AND END ON EACH END OF THE TAPE.
 - TOP TAPE SHALL NOT STICK OUT FROM EMOSS TAPE.
 - TOP TAPE SHALL NOT COVER FEED HOLE.

NO.	DESCRIPTION	MATERIAL	REMARK
8	PACKING LABEL	PS	
7	REEL	PET t=0.062 ANTI-STATIC TYPE	
6	TOP TAPE	PS t=0.30 ANTI-STATIC TYPE	
5	EMBOSS TAPE		

ANGLE	±2°	6 OVER 30 MAX.	±0.3	PROJECTION		SERIES No.	R8	CUSTOMER COPY		
6 MAX.	±0.2	30 OVER 120 MAX.	±0.5	TITLE		CABLIN [®] -UY RECEPTACLE		SCALE	20:1	
GENERAL TOLERANCE.				DWG. No.		20854		UNIT	mm	
DWG.	DATE			APP.		DATE			I-PEX	
CHK.	DATE			DWG. No.		20854				
SIZE								A3	SHEET 4/4	REV. 3