

Recommended P/N 3568-0\*\*1

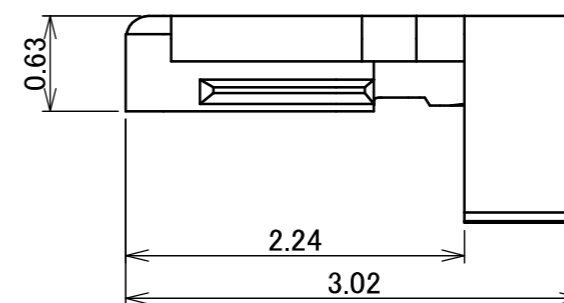
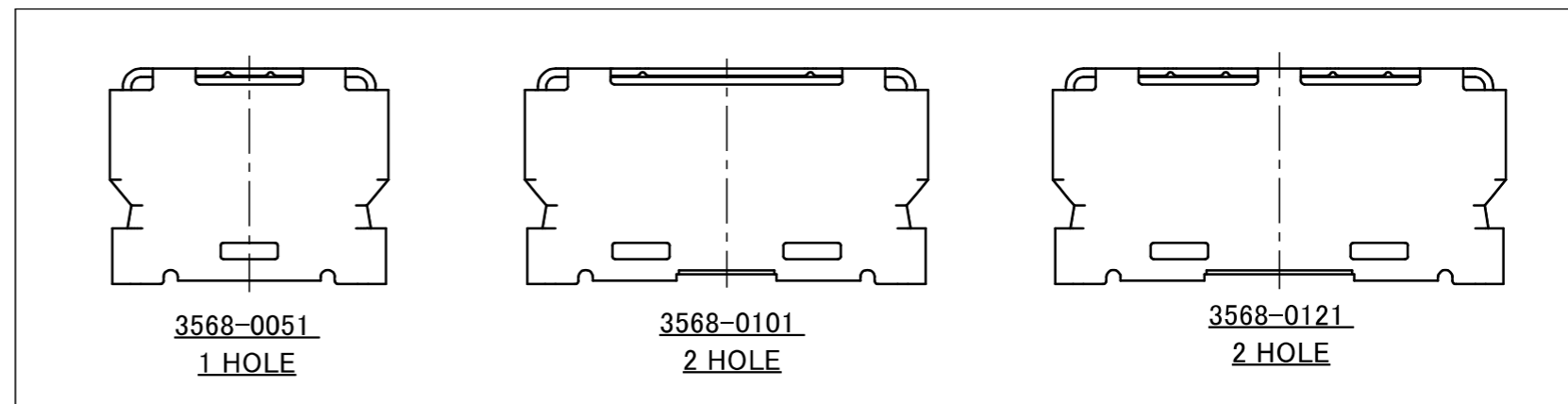
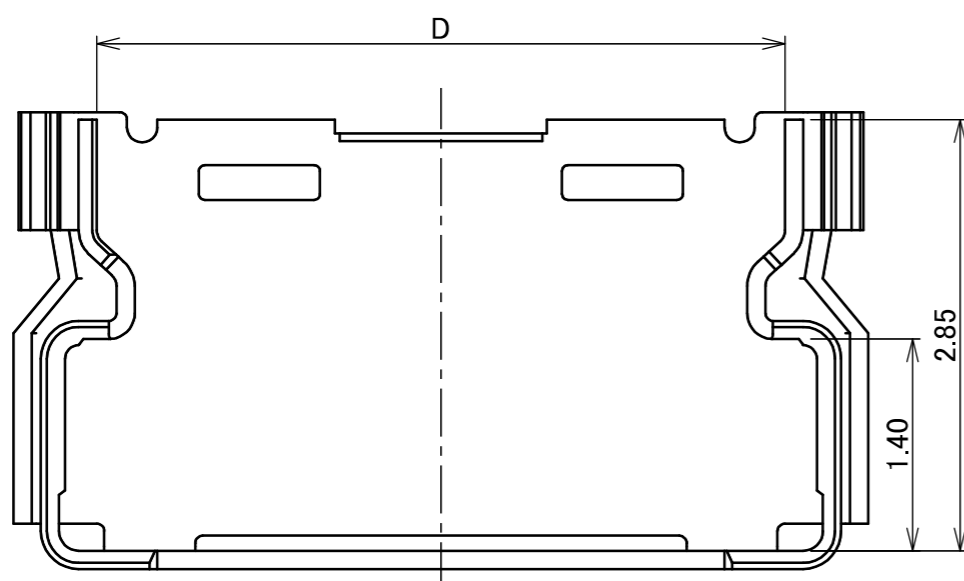
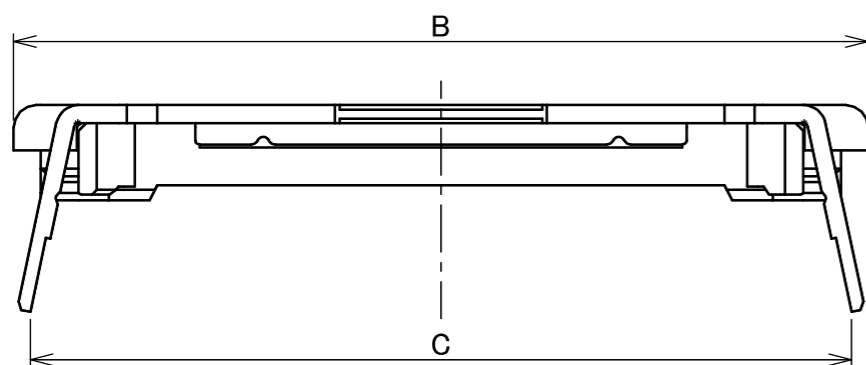
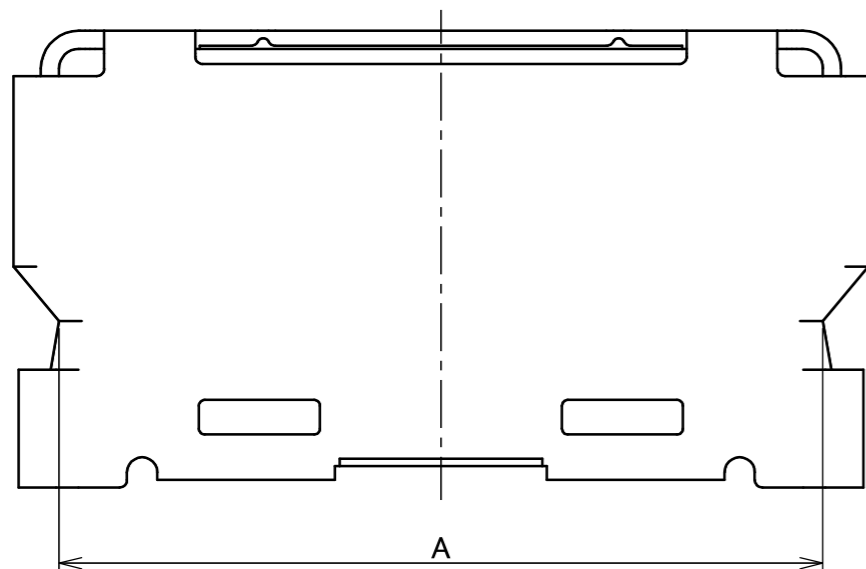
PART NO.	Pos.	A	B	C	D
3568-0051	5	3.34	3.90	3.46	2.80
3568-0101	10	5.09	5.65	5.21	4.55
3568-0121	12	5.79	6.35	5.91	5.25



Halogen Free



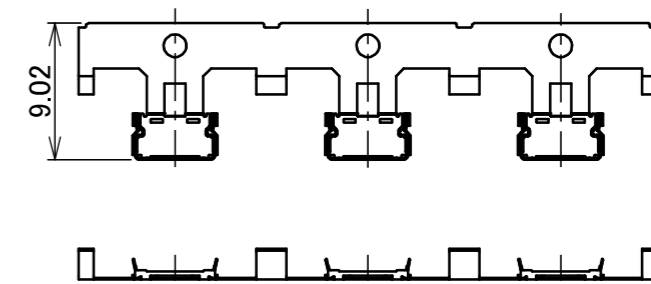
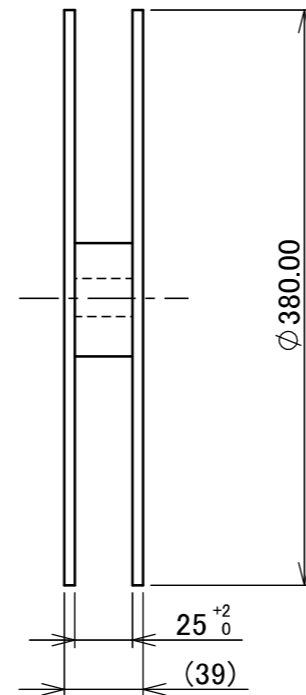
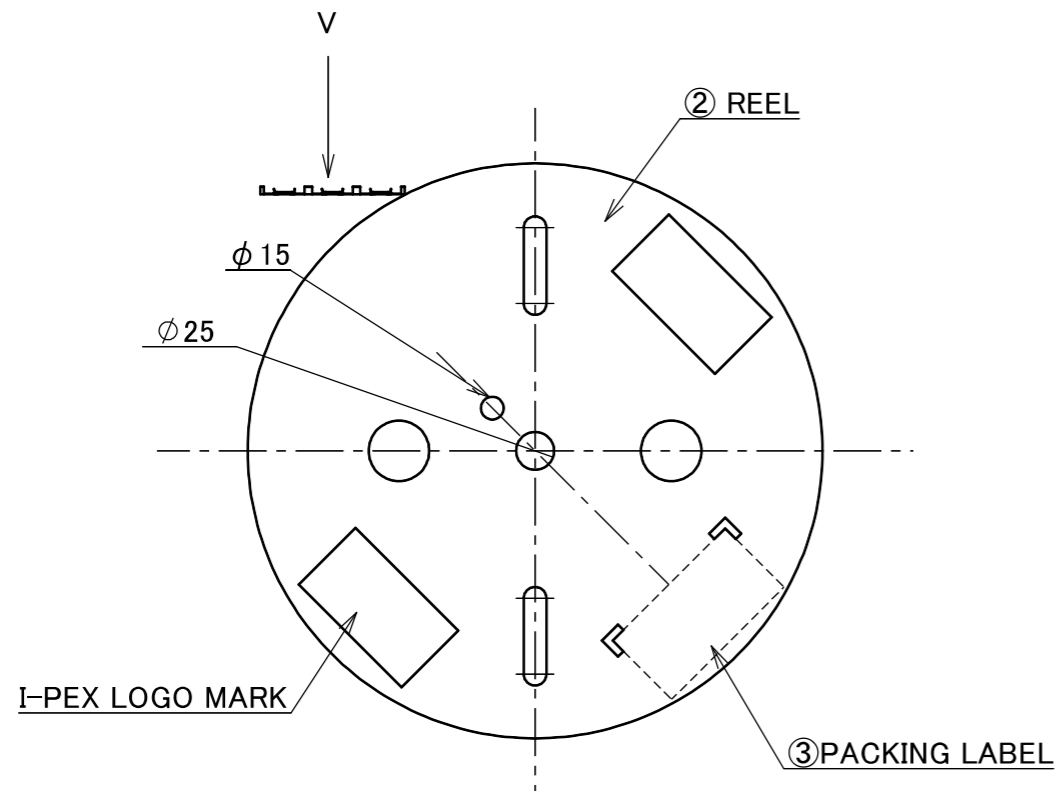
RoHS Compliant



NO.	DESCRIPTION	MATERIAL	FINISH , REMARKS
1	SHELL A	PHOSPHOR BRONZE	ALL OVER Ni 1.00 μ m MIN. SOLDERING PART Au 0.02 μ m MIN.

REV.	ECN	BY	DATE	APP.	ANGLE	±2°	6 OVER 30 MAX.	±0.3	PROJECTION	SERIES No.	CUSTOMER COPY		
4	ZC00750	T.Ya	2026/06/10	T.M	6 MAX.	±0.2	30 OVER 120 MAX.	±0.5		R3	I-PEX SCALE 20:1 UNIT mm		
3	ZC00060	R.H	2025/09/01	H.I	GENERAL TOLERANCE.			TITLE					
2	Z200022	Y.F	2020/01/10	Y.S	DWG.	DATE			CABLINÉ®-UY		SIZE		
1	Z190976	Y.F	2019/07/24	Y.S	Y.Fukumoto		2019/07/10		PLUG		SHEET		
0	Z190903	Y.F	2019/07/10	-	CHK.	T.Yamauchi			SHELL A		REV.		
REVISION RECORD					APP.	Y.Hashimoto			DWG. No.	3568	A3	1/2	4

PART NO.	Pos.	QTY. PER REEL (PIECES / REEL)	QTY. PER PACKING CARTON (REEL CARTON)	PACKING STANDARD
3568-0051	5	3,000 / REEL	4 / CARTON = 12,000	PST-19066
3568-0101	10			
3568-0121	12	2,800 / REEL	4 / CARTON = 11,200	



VIEW V  
S = 2 : 1

NO.	DESCRIPTION	MATERIAL	FINISH , REMARKS
3	PACKING LABEL	-	-
2	REEL	CARDBOARD	-

ANGLE	±2°	6 OVER 30 MAX.	±0.3	PROJECTION	SERIES No.	CUSTOMER COPY				
6 MAX.	±0.2	30 OVER 120 MAX.	±0.5		R3	<b>I-PEX</b>				
GENERAL TOLERANCE.									TITLE	SCALE
DWG.	DATE				CABLIN <sup>®</sup> -UY PLUG SHELL A				5:1	
CHK.									UNIT	
APP.					DWG. No.	3568	mm	SIZE	SHEET	REV.
							A3	2/2	4	