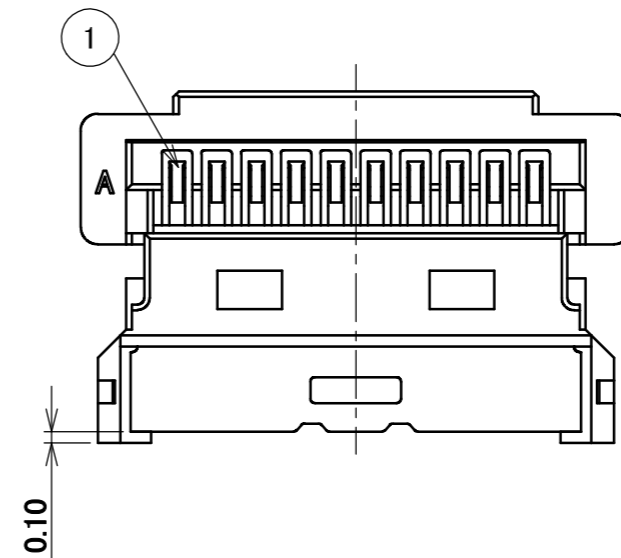
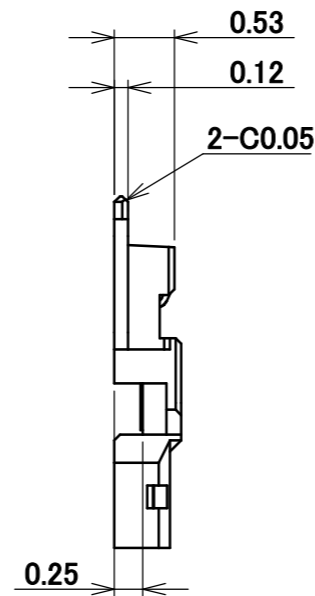
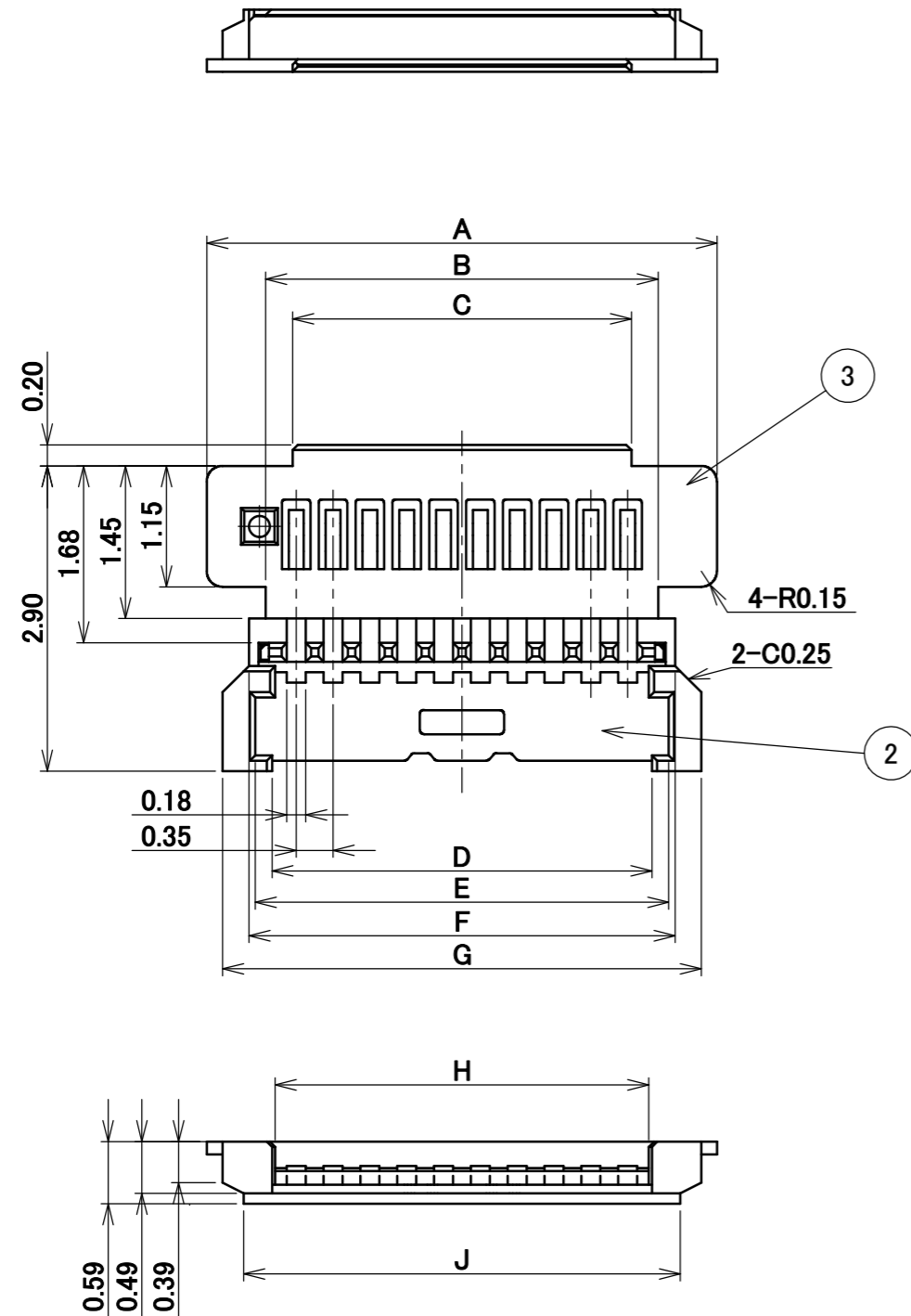
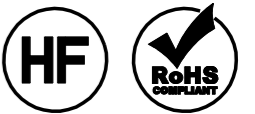


Recommended P/N

20907-0\*\*E-01

PART NO.	Pos.	A	B	C	D	E	F	G	H	J
20907-005E-01	5	3.10	1.98	1.47	1.86	2.18	2.30	2.80	1.80	2.40
20907-010E-01	10	4.85	3.73	3.22	3.61	3.93	4.05	4.55	3.55	4.15

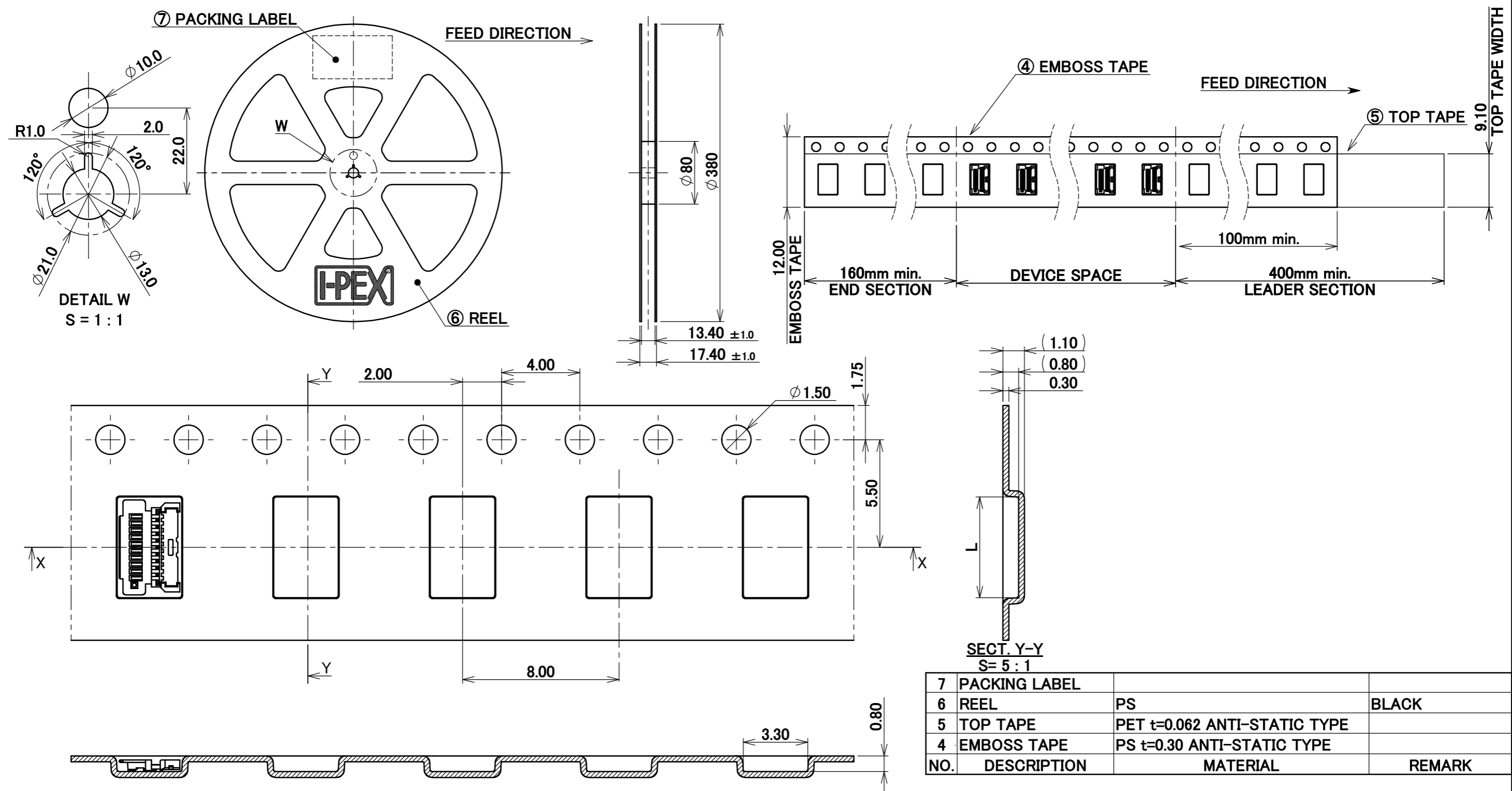


NO.	DESCRIPTION	MATERIAL	FINISH , REMARKS
3	HOUSING	LCP	UL94V-0, BLACK
2	SHELL B	SUS	Au 0.02 μm MIN. OVER Ni 1.00 μm MIN.
1	CONTACT	CORSON ALLOY	ALL OVER Ni 1.00 μm MIN. CONTACT PART Au 0.02 μm MIN. SOLDERING PART Au 0.02 μm MIN.

REV.	ECN	BY	DATE	APP.	DESCRIPTION	DATE	APPROVAL	PROJECTION	SERIES No.	TITLE	SCALE	UNIT	SIZE	SHEET	REV.
					ANGLE	±2°	6 OVER 30 MAX.	±0.3		R7	5:1	mm	A3	1/2	1
					6 MAX.	±0.2	30 OVER 120 MAX.	±0.5							
GENERAL TOLERANCE.													CUSTOMER COPY		
1	Z200067	Y.F	2020/01/16	Y.S	DWG.	Y.Fukumoto	2019/07/10	CABLIN <sup>®</sup> -UY PLUG HOUSING ASS'Y							
0	Z190903	Y.F	2019/07/10		CHK.	T.Yamauchi	2019/07/10								
REVISION RECORD					APP.	Y.Shimada	2019/07/15	DWG. No.	20907						

DEVICE P/N	QTY. PER EMBOSS REEL (PIECES / REEL)	QTY. PER PACKING CARTON (REELS / CARTON)
20907-005E-01	8000 / REEL	9 / CARTON = 72,000
20907-010E-01		

- NOTES.
- TAPING SPECIFICATION FOLLOWS JIS C 0806 (IEC 60286-3).
  - MAKE EMPTY SECTION OF LEADER AND END ON EACH END OF THE TAPE.
  - TOP TAPE SHALL NOT STICK OUT FROM EMBOSS TAPE.
  - TOP TAPE SHALL NOT COVER FEED HOLE.



NO.	DESCRIPTION	MATERIAL	REMARK
7	PACKING LABEL		
6	REEL	PS	BLACK
5	TOP TAPE	PET t=0.062 ANTI-STATIC TYPE	
4	EMBOSS TAPE	PS t=0.30 ANTI-STATIC TYPE	

ANGLE	±2°	6 OVER 30 MAX.	±0.3	PROJECTION ①	SERIES No. R7	CUSTOMER COPY
6 MAX.	±0.2	30 OVER 120 MAX.	±0.5			
GENERAL TOLERANCE.				TITLE CABLIN® -UY PLUG HOUSING ASS'Y	SCALE 1/X	UNIT mm
DWG.	DATE		DWG. No. 20907			
CHK.	DATE					
APP.	DATE					
				SIZE A3	SHEET 2/2	REV. 1