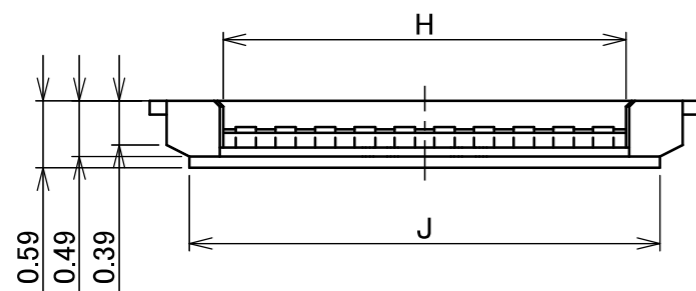
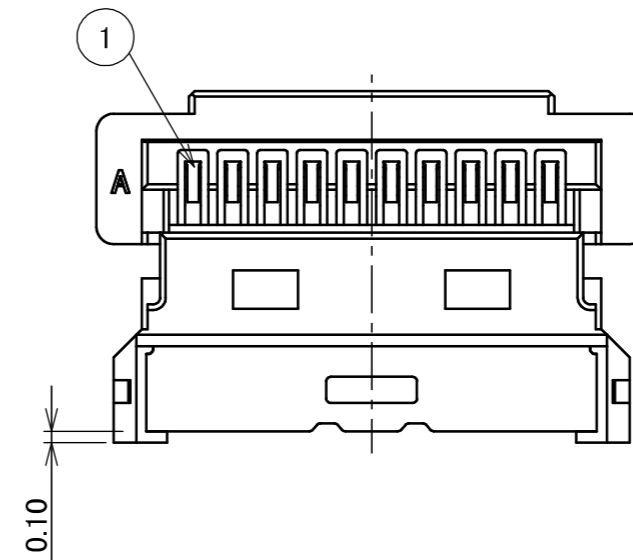
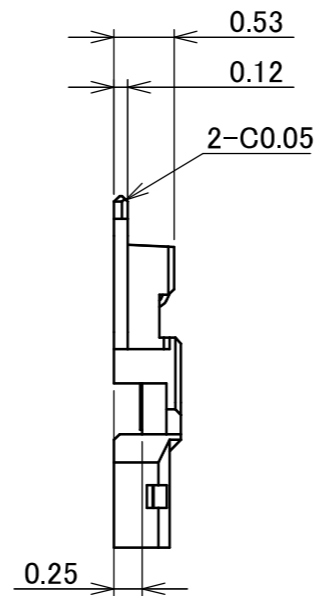
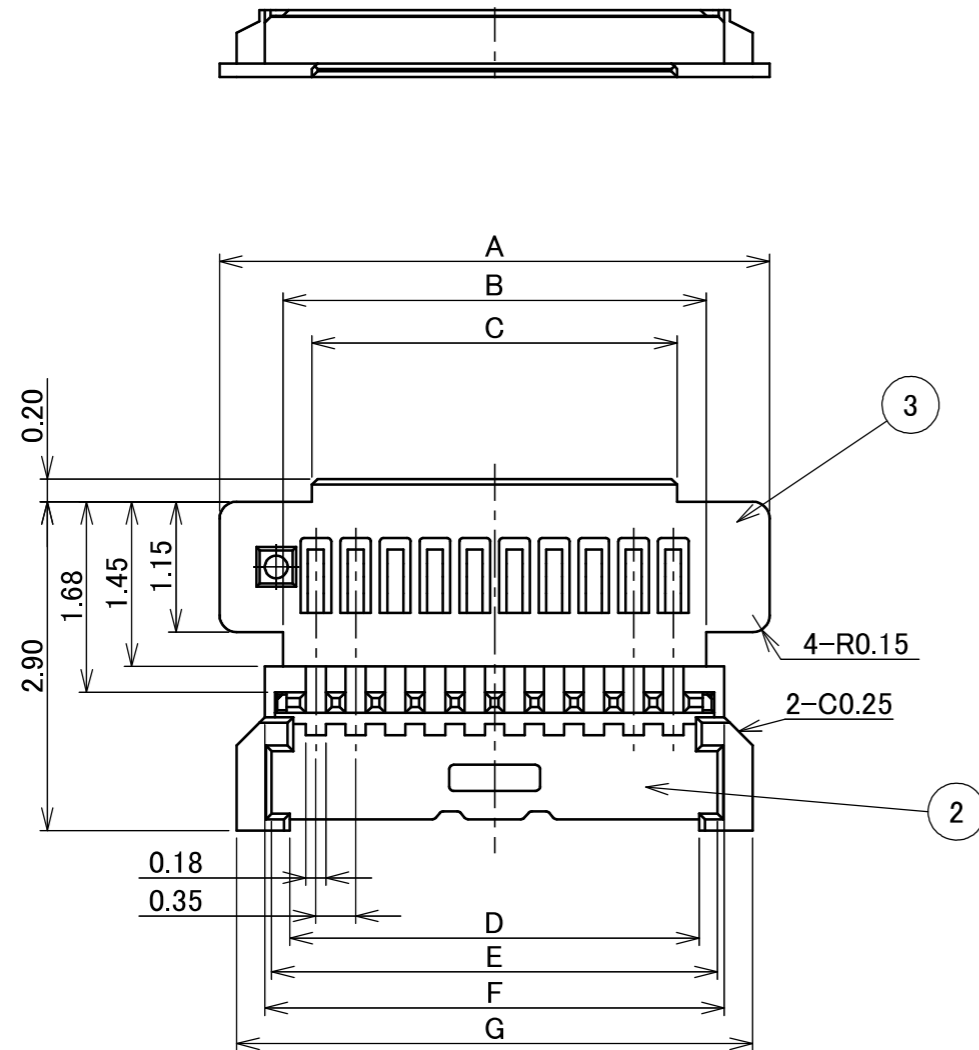


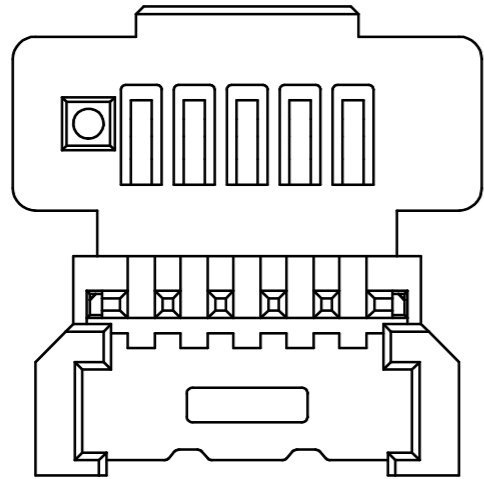
Recommended P/N 20907-0**E-01

PART NO.	Pos.	A	B	C	D	E	F	G	H	J
20907-005E-01	5	3.10	1.98	1.47	1.86	2.18	2.30	2.80	1.80	2.40
20907-010E-01	10	4.85	3.73	3.22	3.61	3.93	4.05	4.55	3.55	4.15
20907-012E-01	12	5.55	4.43	3.93	4.31	4.63	4.75	5.25	4.25	4.85

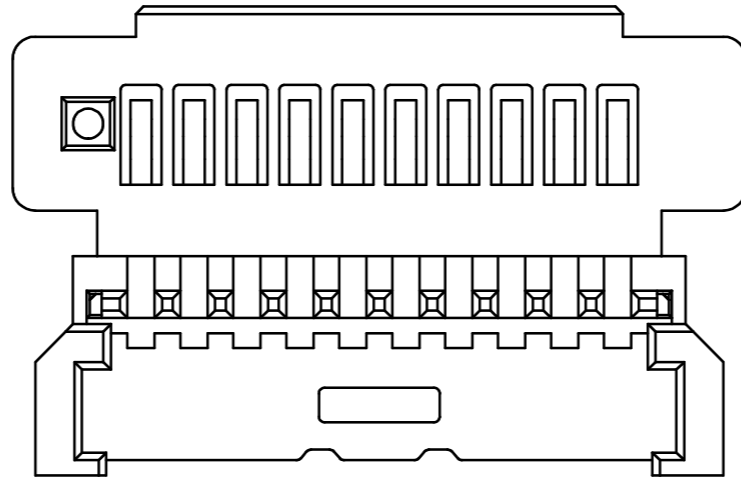


3	HOUSING	LCP	UL94V-0, BLACK
2	SHELL B	SUS	Au 0.02 μm MIN. OVER Ni 1.00 μm MIN.
1	CONTACT	CORSON ALLOY	ALL OVER Ni 1.00 μm MIN. CONTACT PART Au 0.02 μm MIN. SOLDERING PART Au 0.02 μm MIN.
NO.	DESCRIPTION	MATERIAL	FINISH, REMARKS
		ANGLE ±2° 6 OVER 30 MAX. ±0.3 6 MAX. ±0.2 30 OVER 120 MAX. ±0.5	PROJECTION SERIES No. R7 CUSTOMER COPY
3	ZC00750 T.Ya 2026/06/10 T.M	GENERAL TOLERANCE.	
2	ZC00060 R.H 2025/09/01 H.I	DWG. S.Matsuo DATE 2019/02/27	TITLE CABLINE®-UY PLUG HOUSING ASSEMBLY
1	Z200067 Y.F 2020/01/16 Y.S	CHK. K.Yufu	SCALE 5:1 UNIT mm
0	Z190903 Y.F 2019/07/10 -	APP. Y.Hashimoto	SIZE A3 SHEET 1/3 REV. 3
REV.	ECN	BY	DATE
REVISION RECORD			

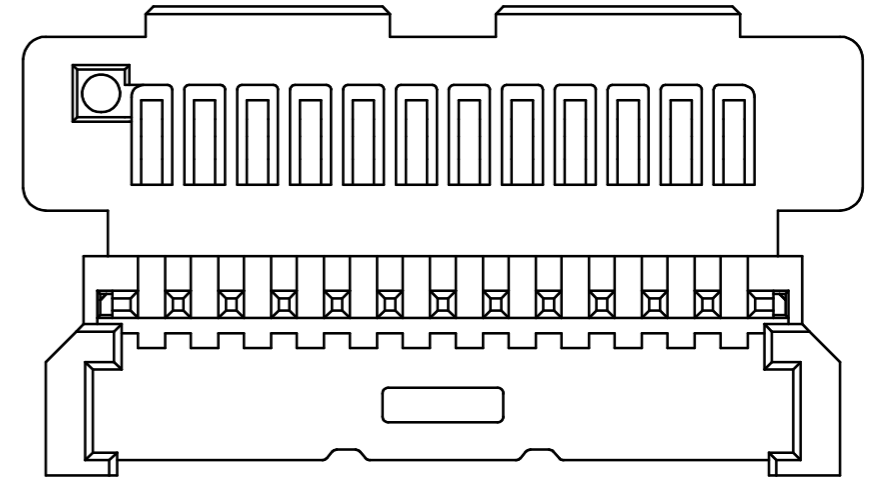
PART NO.	Pos.
20907-005E-01	5
20907-010E-01	10
20907-012E-01	12



5P



10P



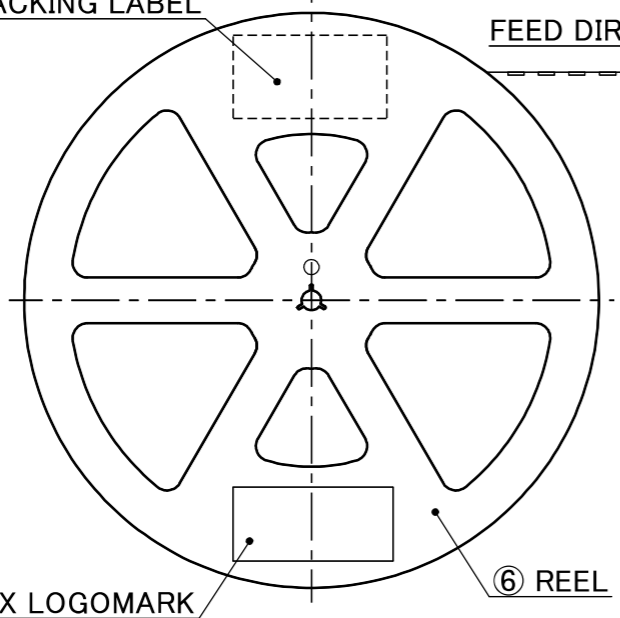
12P

ANGLE	±2°	6 OVER 30 MAX.	±0.3	PROJECTION 	SERIES No. R7	CUSTOMER COPY		
6 MAX.	±0.2	30 OVER 120 MAX.	±0.5					
GENERAL TOLERANCE.				TITLE CABLIN [®] -UY PLUG HOUSING ASSEMBLY	SCALE 5:1 UNIT mm			
DWG.	DATE							
CHK.								
APP.								
				DWG. No.	20907	SIZE A3	SHEET 2/3	REV. 3

DEVICE P/N	K	L	M	N	REEL P/N	QTY. PER EMBOSS REEL (PIECES / REEL)	QTY. PER PACKING CARTON (REELS / CARTON)	PACKING STANDARD
20907-005E-01	12.00	5.50	3.40	9.10	950305-102-100	8,000 / REEL	9 / CARTON = 72,000	PST-18042
20907-010E-01			5.15					
20907-012E-01	16.00	7.50	5.85	13.00	950305-103-100		7 / CARTON = 56,000	

⑦ PACKING LABEL

FEED DIRECTION →



NOTES.

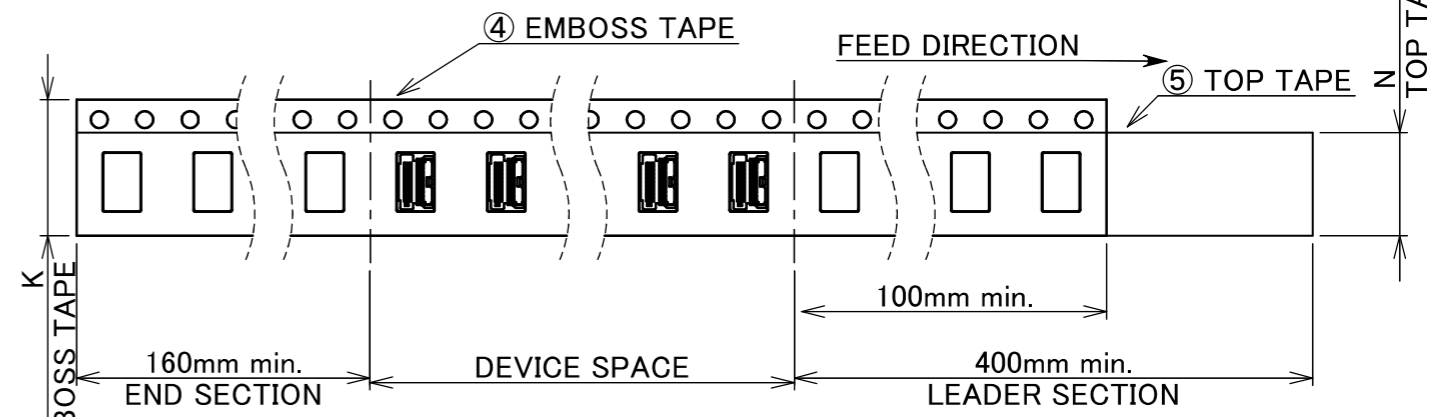
1. TAPING SPECIFICATION FOLLOWS JIS C 0806 (IEC 60286-3).
2. MAKE EMPTY SECTION OF LEADER AND END ON EACH END OF THE TAPE.
3. TOP TAPE SHALL NOT STICK OUT FROM EMBOSS TAPE.
4. TOP TAPE SHALL NOT COVER FEED HOLE.

④ EMBOSS TAPE

FEED DIRECTION →

⑤ TOP TAPE

TOP TAPE WIDTH



I-PEX LOGOMARK

⑥ REEL

$(K+1.40) \pm 1.0$
 $(K+5.40) \pm 1.0$

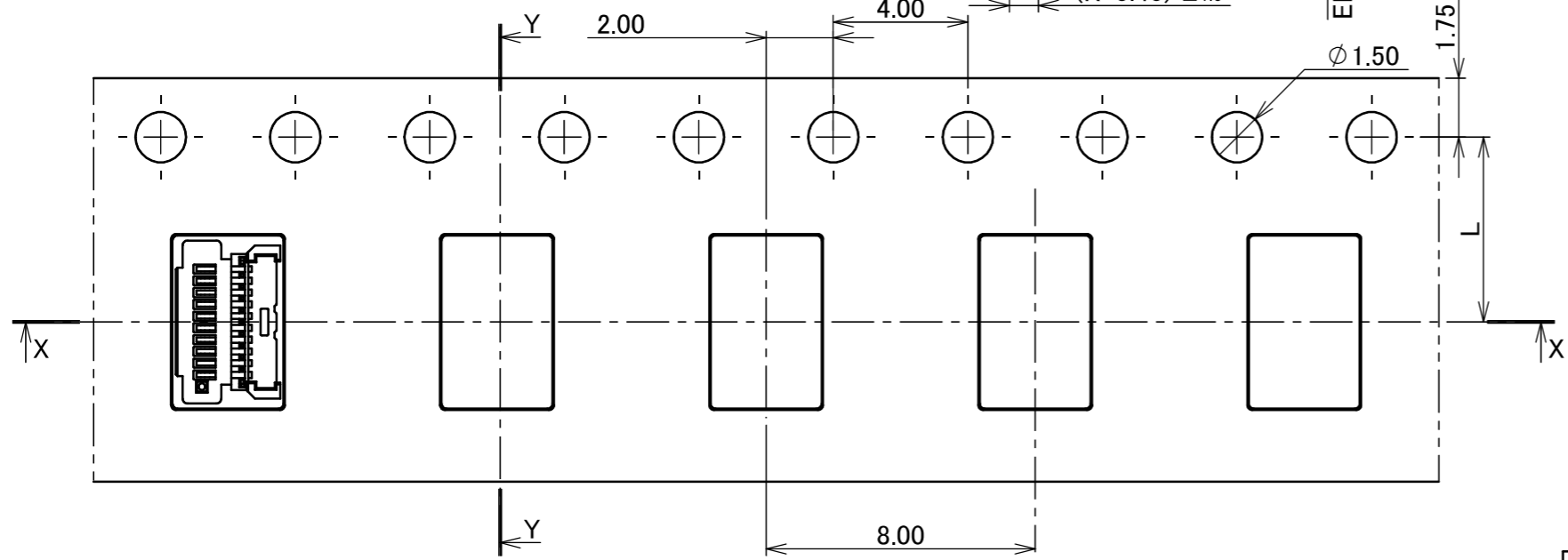
EMBOSS TAPE

160mm min. END SECTION

DEVICE SPACE

100mm min.

400mm min. LEADER SECTION



0.30

SECT. Y-Y
S = 5 : 1

NO.	DESCRIPTION	MATERIAL	REMARK
7	PACKING LABEL		
6	REEL	PS	BLACK
5	TOP TAPE	PET ANTI-STATIC TYPE	
4	EMBOSS TAPE	PS ANTI-STATIC TYPE	

ANGLE	$\pm 2^\circ$	6 OVER 30 MAX.	± 0.3	PROJECTION ④	SERIES No. R7	CUSTOMER COPY		
		6 MAX.	± 0.2					
GENERAL TOLERANCE.				TITLE CABLIN [®] -UY PLUG HOUSING ASSEMBLY	SCALE 5:1	UNIT mm		
DWG.	DATE							
CHK.								
APP.								
				DWG. No.	20907	SIZE A3	SHEET 3/3	REV. 3

SECT. X-X
S = 5 : 1