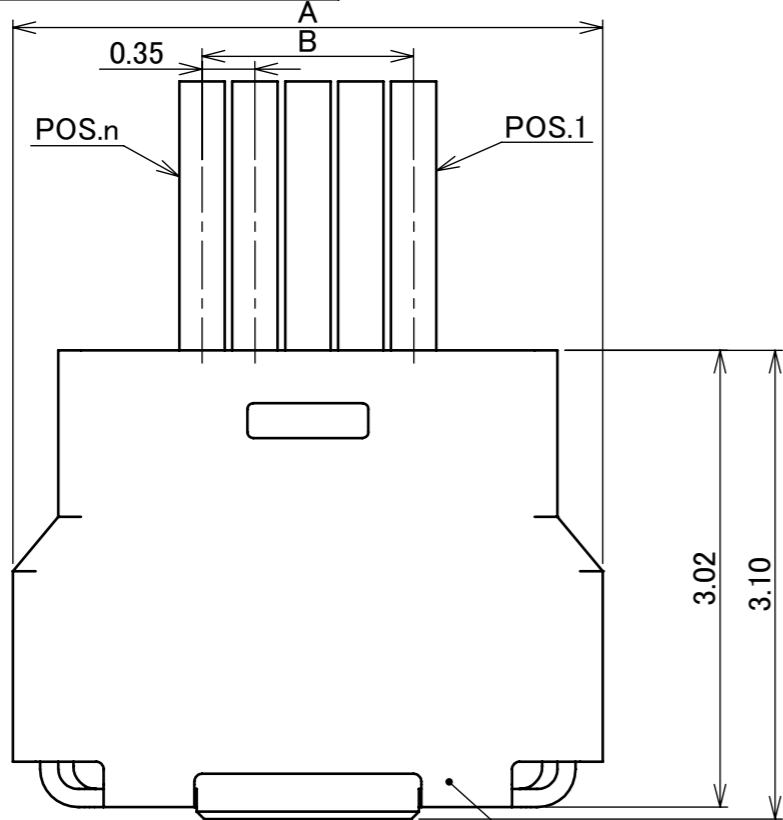


Recommended P/N 20857-0**T-01

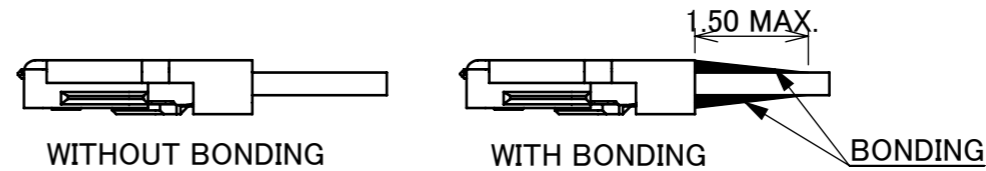
PART NO.	Pos.	A	B
20857-005T-01	5	3.90	1.40
20857-010T-01	10	5.65	3.15

PART COMBINATION TABLE			
PLUG CABLE ASS'Y	HOUSING ASS'Y	PLUG SHELL A	RECEPTACLE
20857-005T-01	20907-005E-01	3568-0051	20854-005E-02
20857-010T-01	20907-010E-01	3568-0101	20854-010E-02

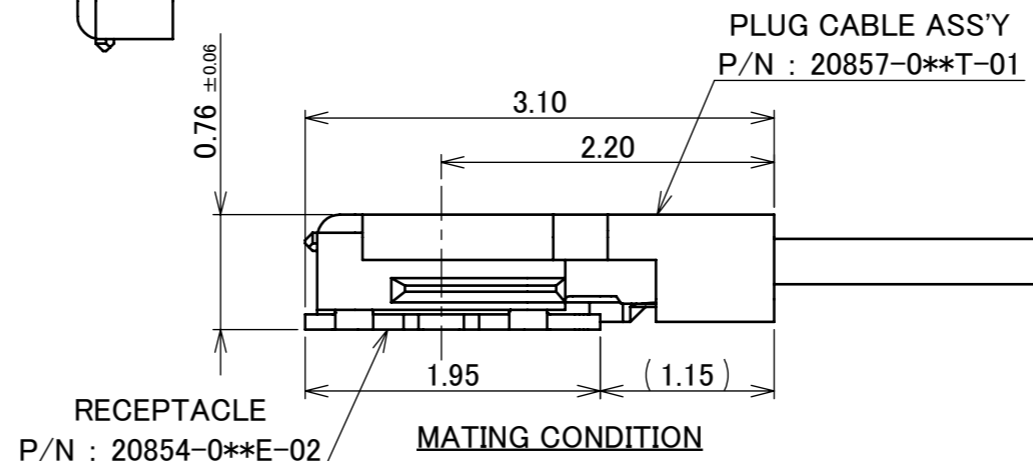
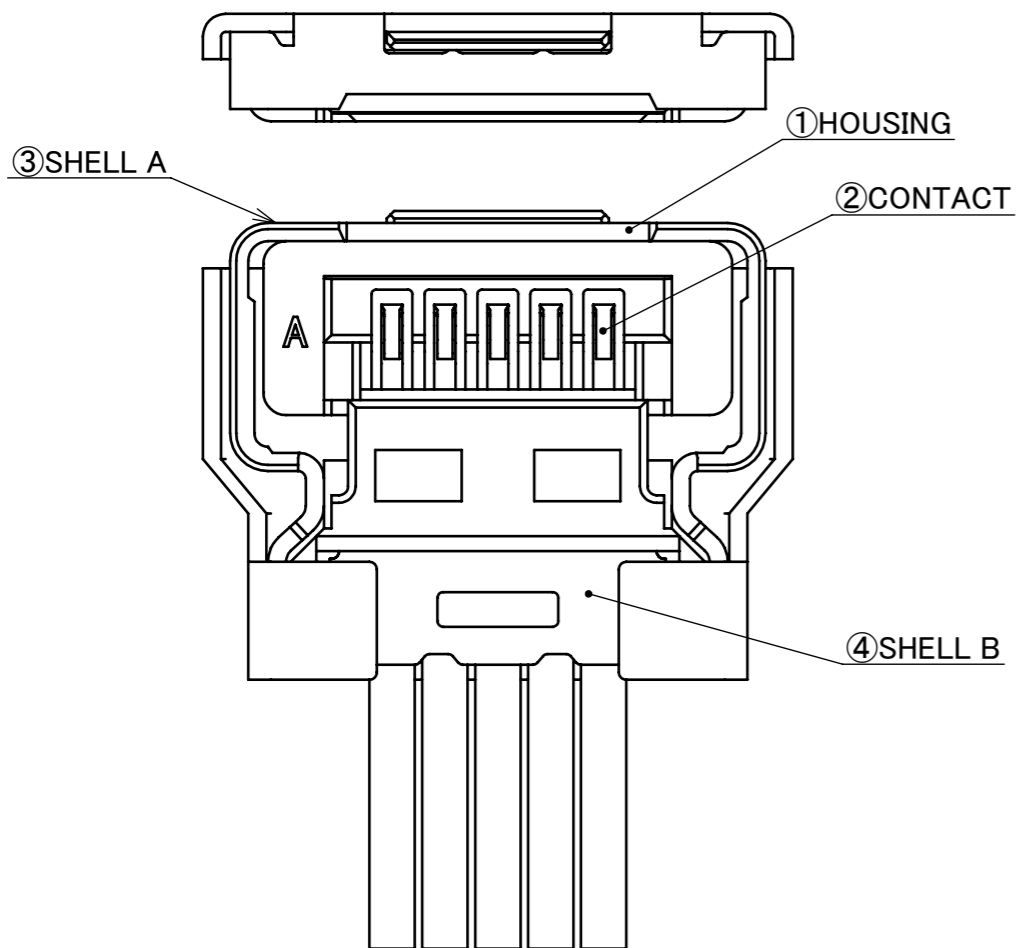
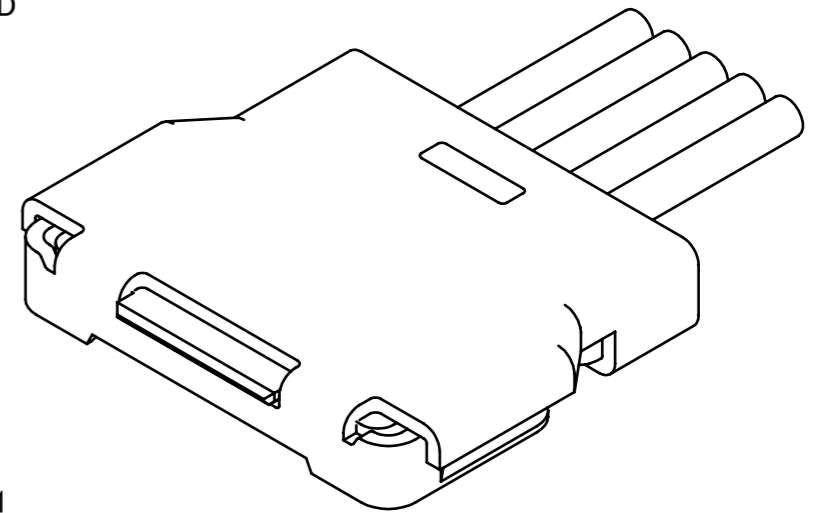
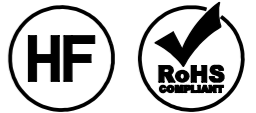


PLUG HOUSING ASS'Y
P/N : 20907-0**E-01

PLUG SHELL A
P/N : 3568-0**1



※WE RECOMMEND BONDING THE CABLE AND CONNECTOR TO PROTECT THE CABLE.



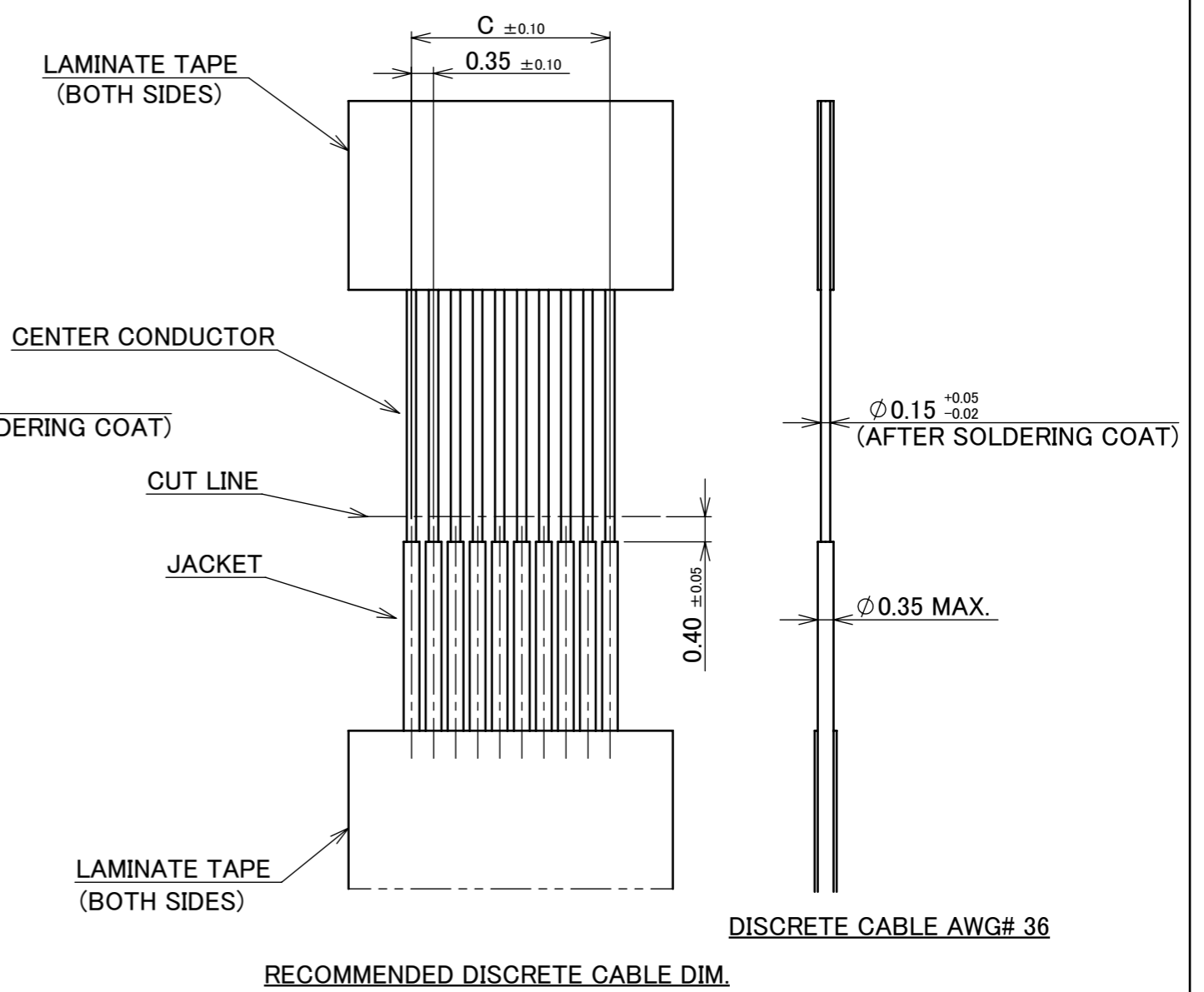
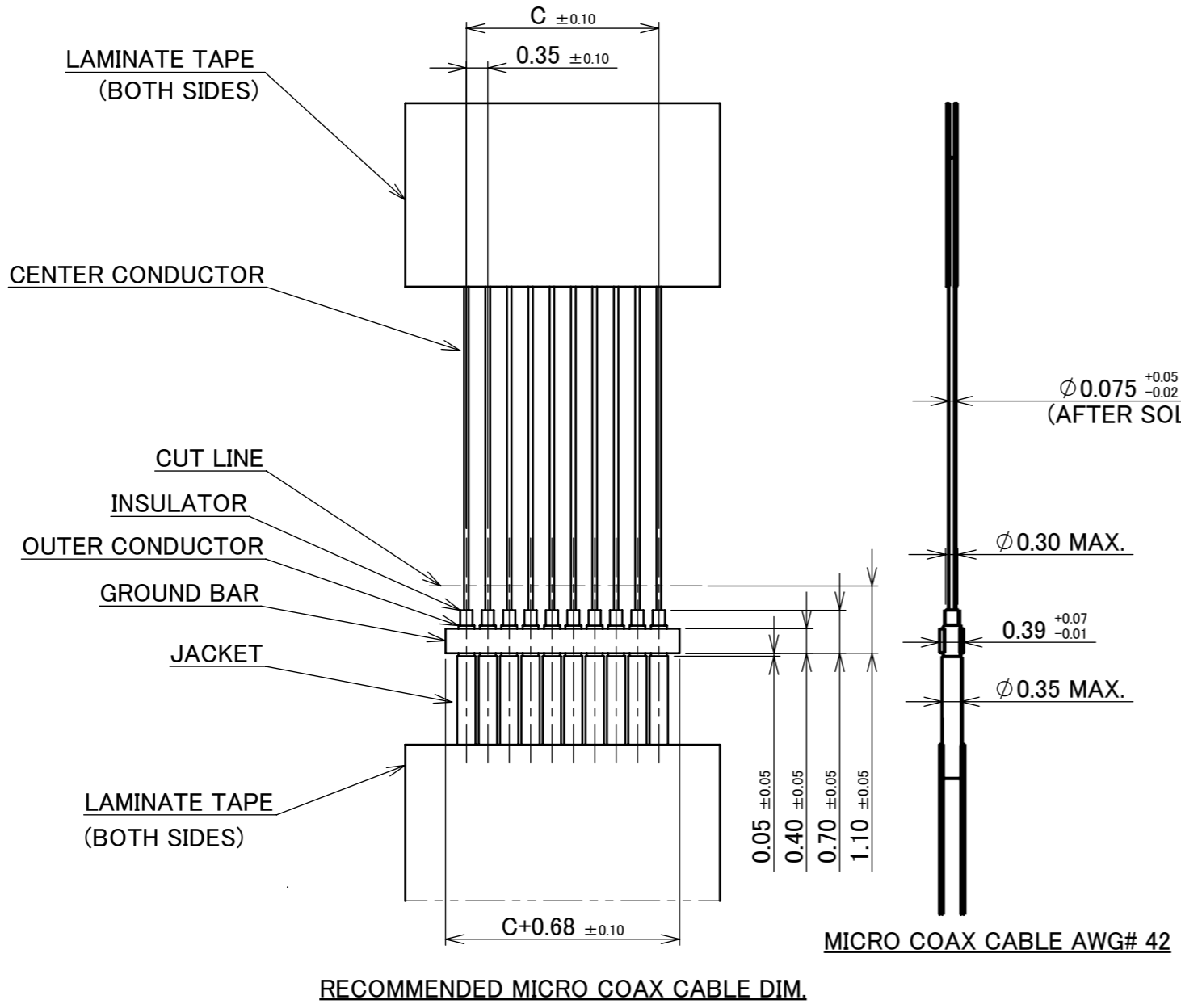
4	SHELL B	SUS	Au 0.02 μm MIN. OVER Ni 1.00 μm MIN.
3	SHELL A	PHOSPHOR BRONZE	ALL OVER Ni 1.00 μm MIN. CONTACT PART Au 0.02 μm MIN. SOLDERING PART Au 0.02 μm MIN.
2	CONTACT	CORSON ALLOY	ALL OVER Ni 1.00 μm MIN. CONTACT PART Au 0.02 μm MIN. SOLDERING PART Au 0.02 μm MIN.
1	HOUSING	LCP	UL94V-0, BLACK

REV.	ECN	BY	DATE	APP.	ANGLE	6 OVER 30 MAX.	±0.3	PROJECTION	SERIES No.	CUSTOMER COPY
					±2°	6 OVER 30 MAX.	±0.3	⊕	R7R3	
					6 MAX.	±0.2	30 OVER 120 MAX.	⊖		
3	Z200441	Y.F	2020/04/21	T.Y	GENERAL TOLERANCE.			TITLE		SCALE
2	Z200309	Y.F	2020/03/13	T.Y	DWG.	S.Kawamura	DATE	CABLIN [®] -UY		20:1
1	Z200022	Y.F	2020/01/10	Y.S	CHK.	K.Yufu	DATE	PLUG CABLE ASS'Y		UNIT
0	Z181542	S.K	2018/12/03		APP.	K.Yotsutani	DATE			mm
								DWG. No.	20857	SIZE
										A3
										SHEET 1/3
										REV. 3

ITEMS	SPECIFICATION
APPLICABLE CABLE	MICRO COAX : AWG# 42 DISCRETE : AWG# 36
RATING VOLTAGE	60V AC (PER A CONTACT)
RATING AMPERAGE (FOR CONTACT)	0.35 AC/DC[AWG# 42] 0.5 AC/DC[AWG# 36]
OPERATING TEMPERATURE	233~358K(-40°C~+85°C)
OPERATING HUMIDITY	85% MAX.(NON-CONDENSING)
CONTACT RESISTANCE	INITIAL : 700mohm MAX. (AWG# 42) / AFTER TEST : Δ R 40mohm MAX 275mohm MAX. (AWG# 36)
GROUND SHELL RESISTANCE	INITIAL : 60mohm MAX. / AFTER TEST : Δ R 40mohm MAX.
INSULATION RESISTANCE	INITIAL : 500Mohm MIN. / AFTER TEST : 100Mohm MIN.
DIELECTRIC WITHSTANDING VOLTAGE	AC200V 1min
DURABILITY	30 CYCLES
MATING FORCE (INITIAL / AFTER TEST)	5P : INITIAL: 30N MAX. / AFTER TEST: 30N MAX. 10P : INITIAL: 30N MAX. / AFTER TEST: 30N MAX.
UNMATING FORCE (INITIAL / AFTER TEST)	5P : INITIAL: 5N MIN. / AFTER TEST: 3N MIN. 10P : INITIAL: 5N MIN. / AFTER TEST: 3N MIN.
CABLE RETENTION FORCE	5P : 2.45N MIN. 10P : 4.9N MIN.
PRODUCT SPECIFICATION	PRS-2634
TEST REPORT	TR-19084
INSTRUCTION MANUAL	HIM-18037
ASSEMBLY MANUAL	ASM-18002
APPEARANCE CRITERIA No.	QLS-A***

ANGLE	$\pm 2^\circ$	6 OVER 30 MAX.	± 0.3	PROJECTION 	SERIES No. R7R3	CUSTOMER COPY	
6 MAX.	± 0.2	30 OVER 120 MAX.	± 0.5			SCALE -	
GENERAL TOLERANCE.				TITLE CABLIN [®] -UY PLUG CABLE ASS'Y	DWG. No. 20857	UNIT mm	I-PEX
DWG.	DATE					SIZE A3	
CHK.	DATE					SHEET 2/3	
APP.	DATE					REV. 3	

PART No.	POS.	C
20857-005T-01	5	1.40
20857-010T-01	10	3.15



ANGLE	±2°	6 OVER 30 MAX.	±0.3	PROJECTION ⊕	SERIES No. R7R3	CUSTOMER COPY
	6 MAX.	±0.2	30 OVER 120 MAX.			
GENERAL TOLERANCE.				TITLE		SCALE
DWG.	DATE	CABLIN [®] -UY PLUG CABLE ASS'Y		DWG. No. 20857		10:1
CHK.	DATE					UNIT
APP.	DATE					mm
				SIZE		I-PEX
				A3		
				SHEET 3/3		REV. 3

Confidential C

I-PEX Inc.

QKE-DFE06-02 REV.11