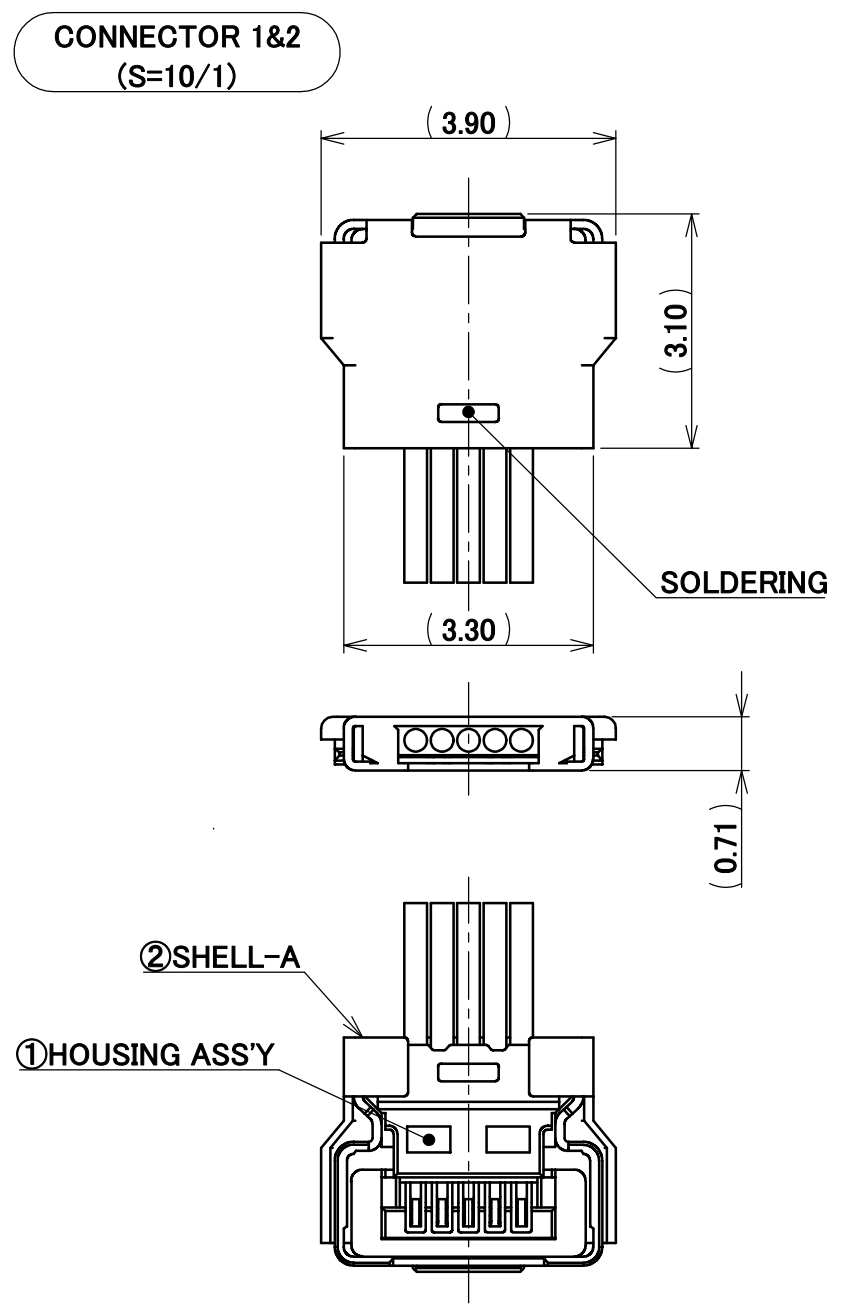
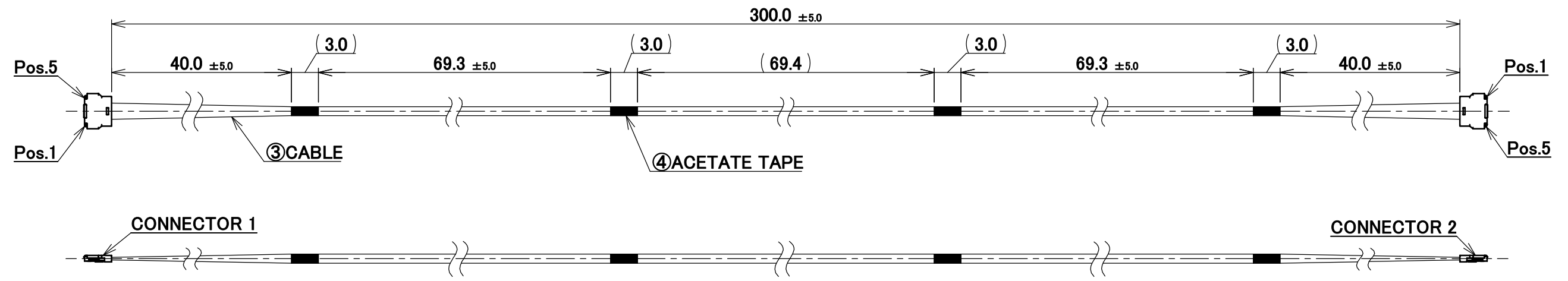


PART No.  
81426-100B-01-D



- NOTE.
- TO HANDLE THIS CONNECTOR YOU MUST READ AND FOLLOW THE INSTRUCTION MANUAL BELOW. I-PEX INSTRUCTION MANUAL No.HIM-18037.
  - ELECTRIC CHARACTERISTICS  
WITHSTANDVOLTAGE : AC 200V LEAKAGE CURRENT 2.0mA MAX.  
INSULATION RESISTANCE : 50MΩ MIN. DC 100V
  - THE OPERATING TEMPERATURE OF THE HARNESS : 80°C MAX.

PIN ASSIGNMENT		
CONNECTOR 1	CABLE	CONNECTOR 2
5	MICRO-COAXIAL CABLE AWG#42 50 OHM, BLUE	1
4	MICRO-COAXIAL CABLE AWG#42 50 OHM, BLUE	2
3	MICRO-COAXIAL CABLE AWG#42 50 OHM, BLUE	3
2	MICRO-COAXIAL CABLE AWG#42 50 OHM, BLUE	4
1	MICRO-COAXIAL CABLE AWG#42 50 OHM, BLUE	5

NO.	DESCRIPTION	PARTS NO.	QTY	REMARKS
4	ACETATE TAPE	-	4	BLACK
3	CABLE	-	5	MICRO-COAXIAL CABLE AWG#42 50 OHM, BLUE
2	SHELL-A	3568-0051	2	CONNECTOR 1&2 CABLIN <sup>®</sup> -UY PLUG P/N : 20857-005T-01 CONNECTOR TO BE MATED : 20854-005E-02
1	HOUSING ASS'Y	20907-005E-01	2	

ANGLE	±2°	6 OVER 30 MAX.	±0.3	PROJECTION ⊕	SERIES No. IH-200016	CUSTOMER COPY		
	6 MAX.	±0.2	30 OVER 120 MAX.				±0.5	
GENERAL TOLERANCE.				TITLE	SCALE	I-PEX		
2	Z231133	R.T	Sept./20/'23	H.I	DWG. K.Baba		DATE 2020/05/11	SCALE 2:1
1	Z200915	K.B	Sept./02/'20	H.I	CHK. R.Takei			UNIT mm
0	Z200494	K.B	May/11/'20		APP. H.Ikari		SIZE A3	
REV.	ECN	BY	DATE	APP.	DWG. No.	81426	SHEET 1/1	REV. 2