

Recommended P/N 20879-0**E-01

PART NO.	Pos.	A	B	C	D	E	F	G	H
20879-030E-01	30	15.27	13.01	11.60	9.60	12.07	12.88	15.27	13.65
20879-040E-01	40	19.27	17.01	15.60	14.40	16.07	16.88	19.27	17.65
◆20879-060E-01	60	27.27	25.01	23.60	21.60	24.07	24.88	27.27	25.65

◆MARK MEANS NOT AVAILABLE.

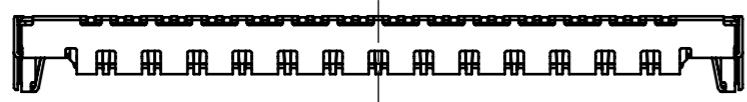
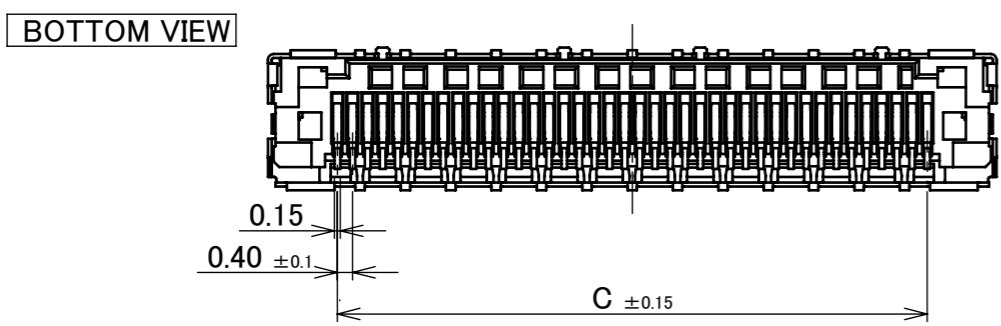
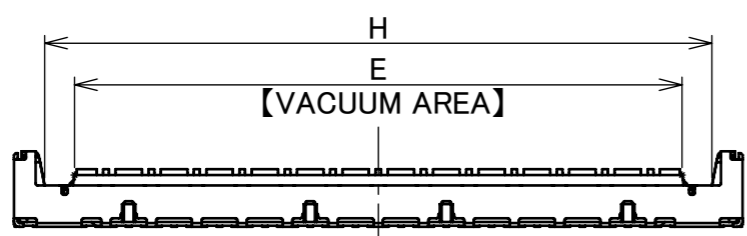
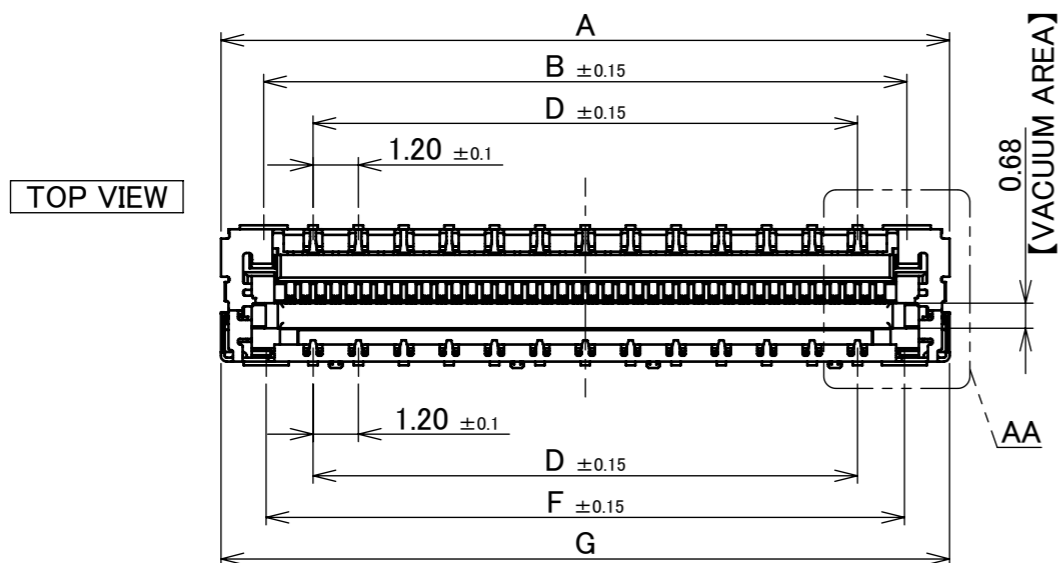
P/N : 20879-0**E-0#

1 : NARROW GROUND PIN TYPE
2 : WIDER GROUND PIN TYPE
Pos.

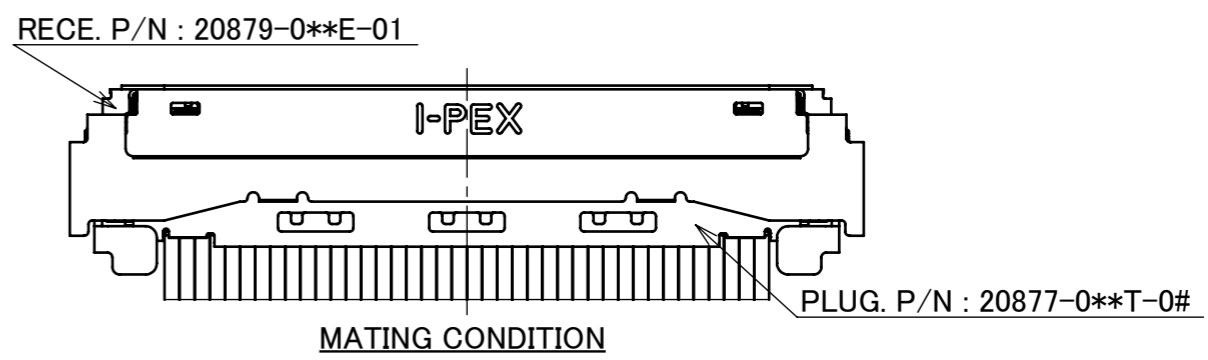
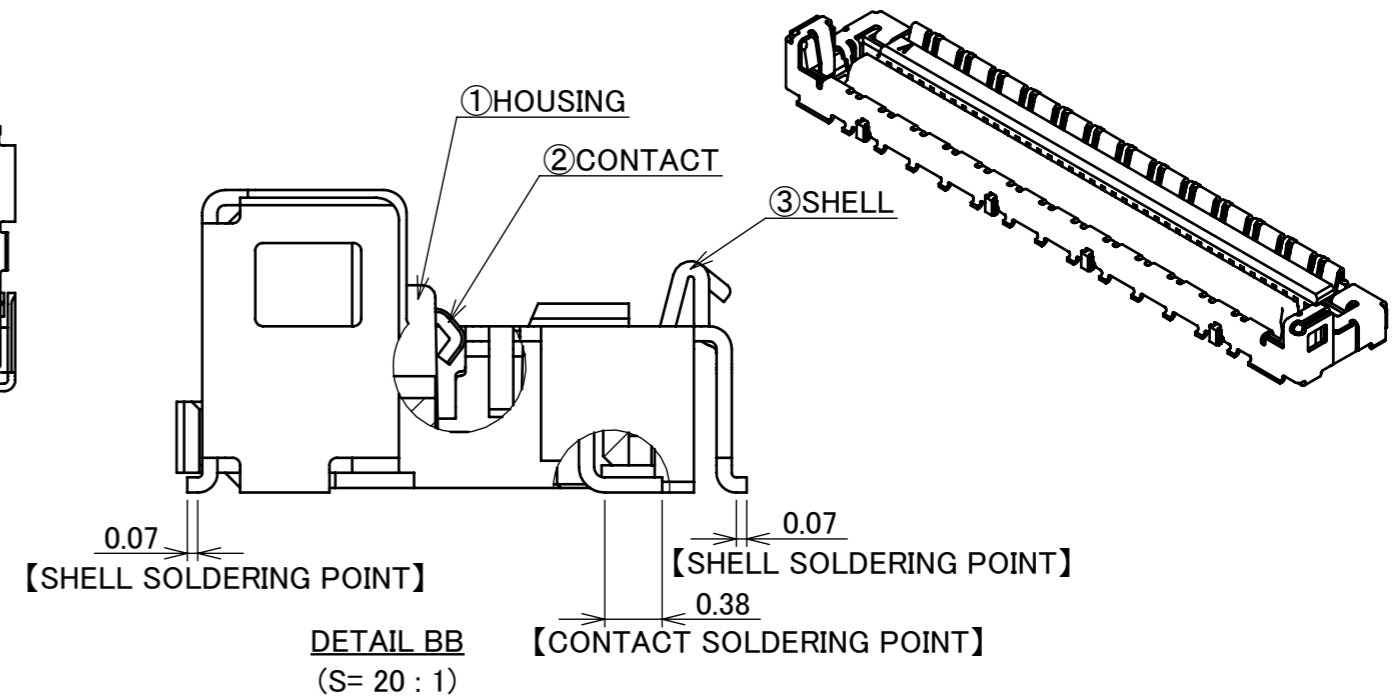
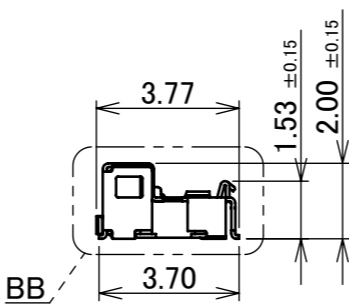
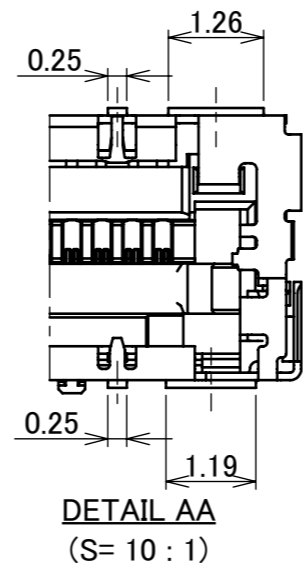
01 TYPE



Halogen Free RoHS Compliant



PATENT PENDING



NO.	DISCRIPTION	MATERIAL	FINISH , REMARKS
3	SHELL	PHOSPHOR BRONZE	ALL OVER : Ni 1.00 μ m MIN. SOLDERING AREA : Au 0.02 μ m MIN.
2	CONACT	CORSON ALLOY	ALL OVER : Ni 1.00 μ m MIN. CONTACT & SOLDERING AREA : Au 0.03 μ m MIN.
1	HOUSING	LCP	UL94V-0, BLACK

REV.	ECN	BY	DATE	APP.	APP.	PROJECTION	SERIES No.	TITLE	SCALE	SHEET	REV.
8	Z230039	K.B	Jan./13/'23	H.I	ANGLE ±2°	6 OVER 30 MAX. ±0.3	R4	CABLIN® -UM RECE. ASS'Y	5:1	I-PEX	8
7	Z221402	T.M	Dec./12/'22	H.I	6 MAX. ±0.2	30 OVER 120 MAX. ±0.5			mm		
6	Z221346	T.M	Dec./01/'22	H.I	GENERAL TOLERANCE.				A3		
5	Z220874	T.M	Aug./02/'22	H.I	DWG. T.Masunaga	DATE 2019/01/10					
4	Z211301	T.M	Nov./01/'21	H.I	CHK. -						
3	Z200195	Y.Sasa	Feb./17/'20	H.I	APP. H.Ikari						
REVISION RECORD							DWG. No. 20879		1/14		

Recommended P/N 20879-0**E-01

PART NO.	Pos.	A	C	E	G	H	J	K	L	M	N
20879-030E-02	30	15.27	11.60	12.07	15.27	13.65	14.87	4.00	-	7.09	14.69
20879-040E-02	40	19.27	15.60	16.07	19.27	17.65	18.87	8.00	4.00	6.70	18.69
20879-060E-02	60	27.27	23.60	24.07	27.27	25.65	26.87	17.60	11.20	10.70	26.69

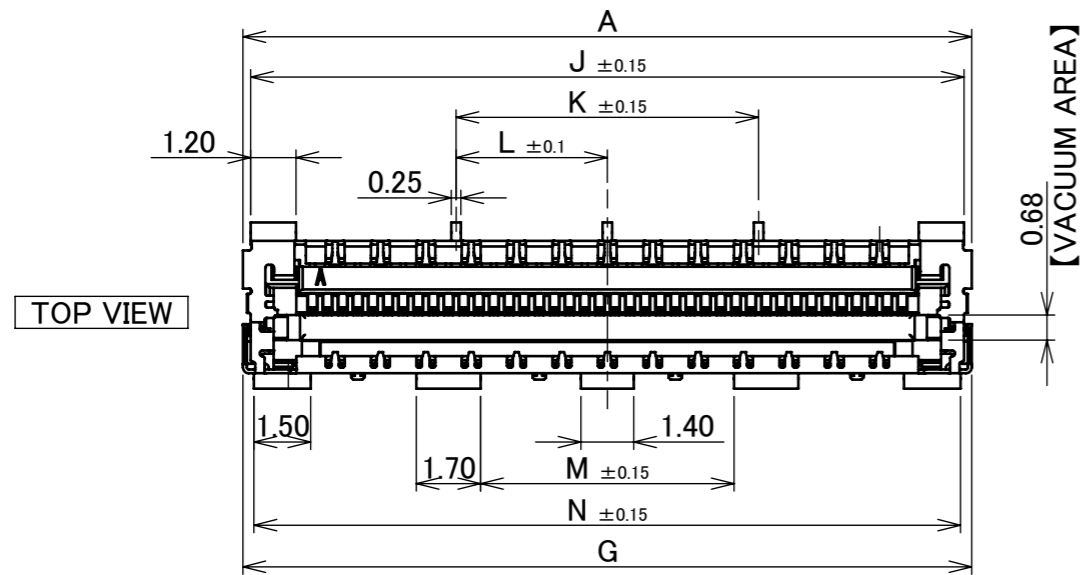
02 TYPE



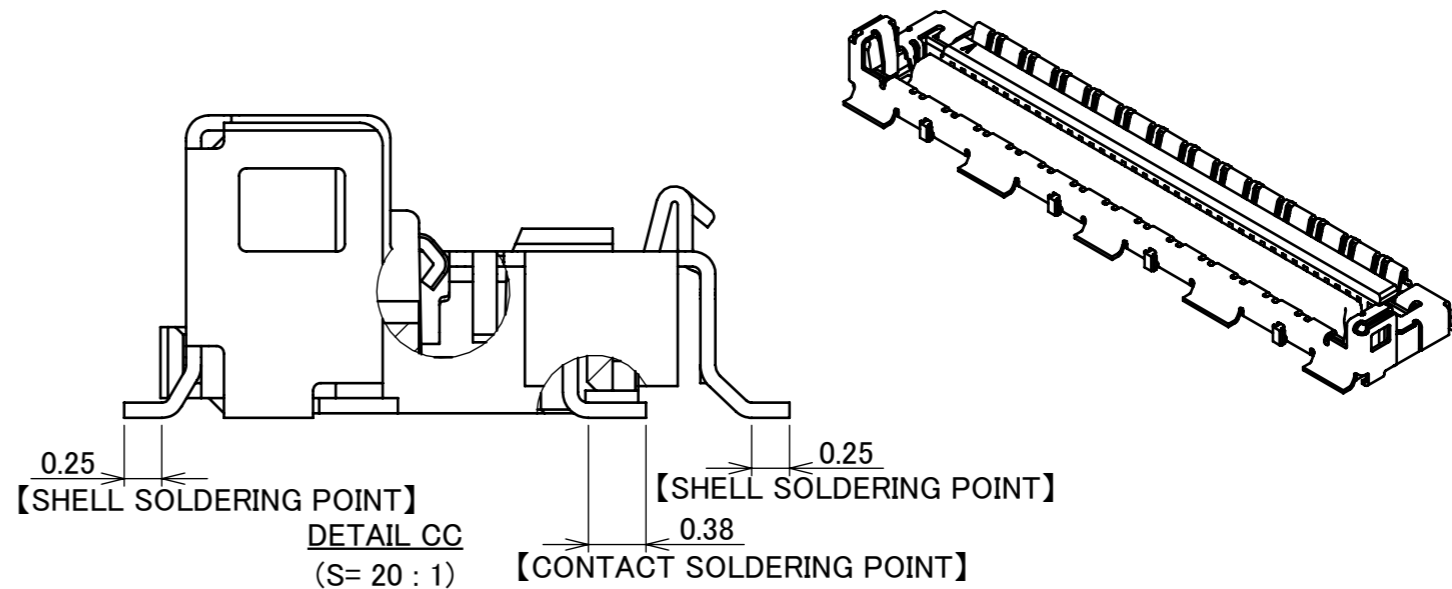
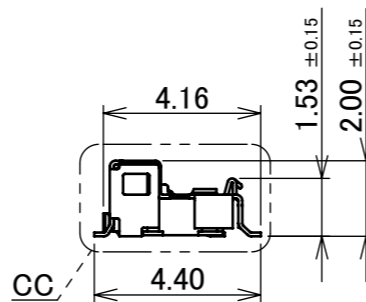
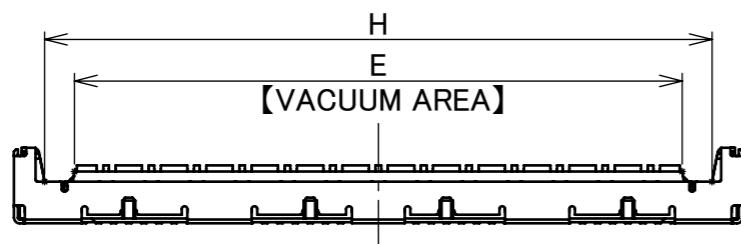
Halogen Free



RoHS Compliant



TOP VIEW



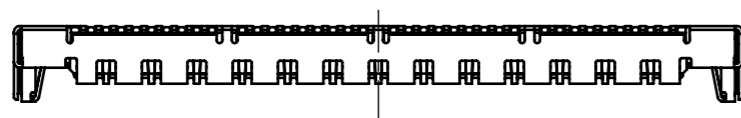
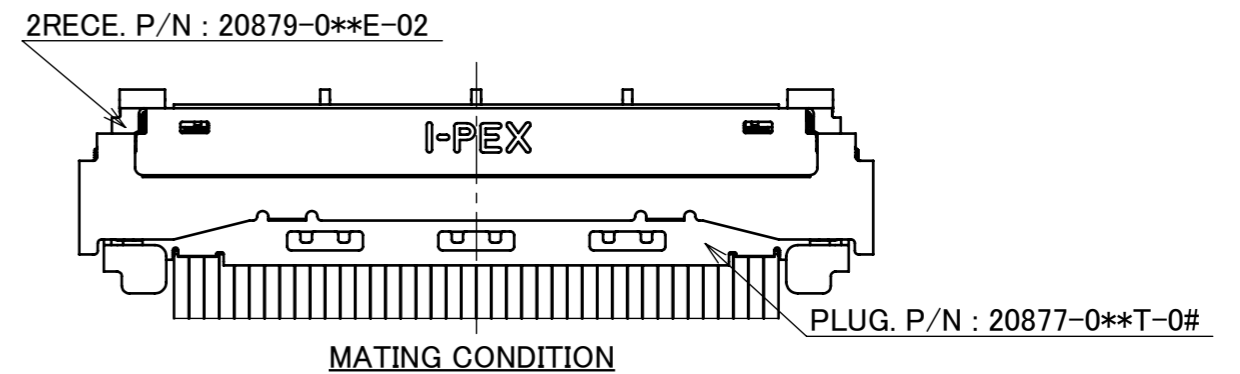
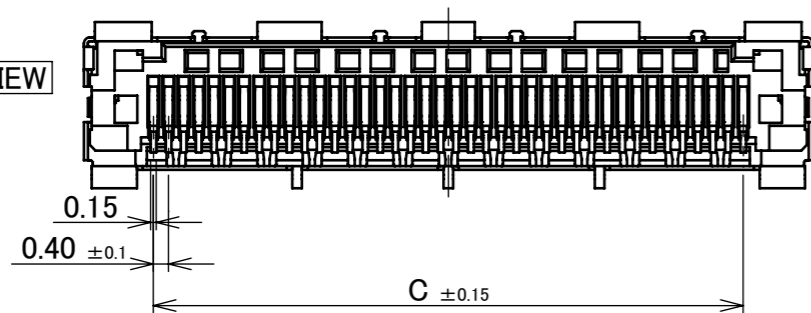
【SHELL SOLDERING POINT】

DETAIL CC
(S= 20 : 1)

【SHELL SOLDERING POINT】

【CONTACT SOLDERING POINT】

BOTTOM VIEW



PATENT PENDING

ANGLE	±2°	6 OVER 30 MAX.	±0.3	PROJECTION ⊕	SERIES No. R4	CUSTOMER COPY			
6 MAX.	±0.2	30 OVER 120 MAX.	±0.5						
GENERAL TOLERANCE.				TITLE CABLINER [®] -UM RECE. ASS'Y		SCALE 5:1	I-PEX		
DWG.	DATE			DWG. No. 20879		UNIT mm			

Recommended P/N 20879-0**E-01

PART NO.	Pos.	A	C	E	G	H	J	K	L	M	N	AD
20879-030E-02	30	15.27	11.60	12.07	15.27	13.65	14.87	4.00	-	7.09	14.69	-
20879-040E-02	40	19.27	15.60	16.07	19.27	17.65	18.87	8.00	4.00	6.70	18.69	-
20879-060E-02	60	27.27	23.60	24.07	27.27	25.65	26.87	17.60	11.20	10.70	26.69	3.20

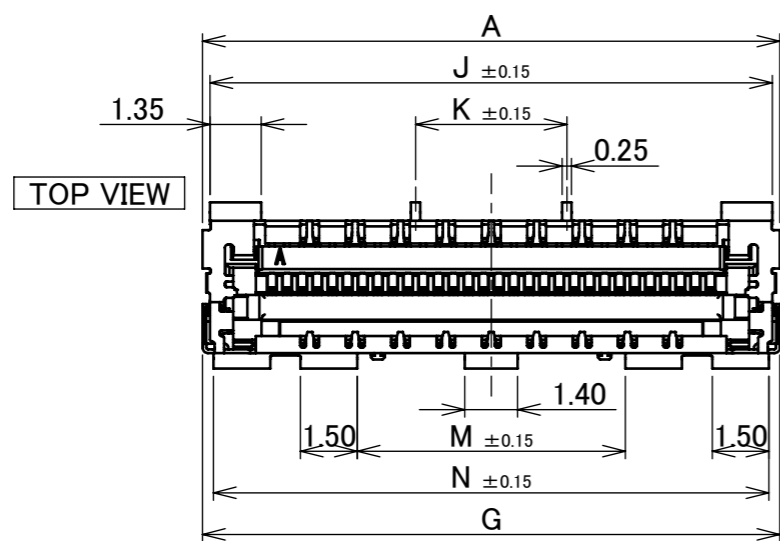
02 TYPE



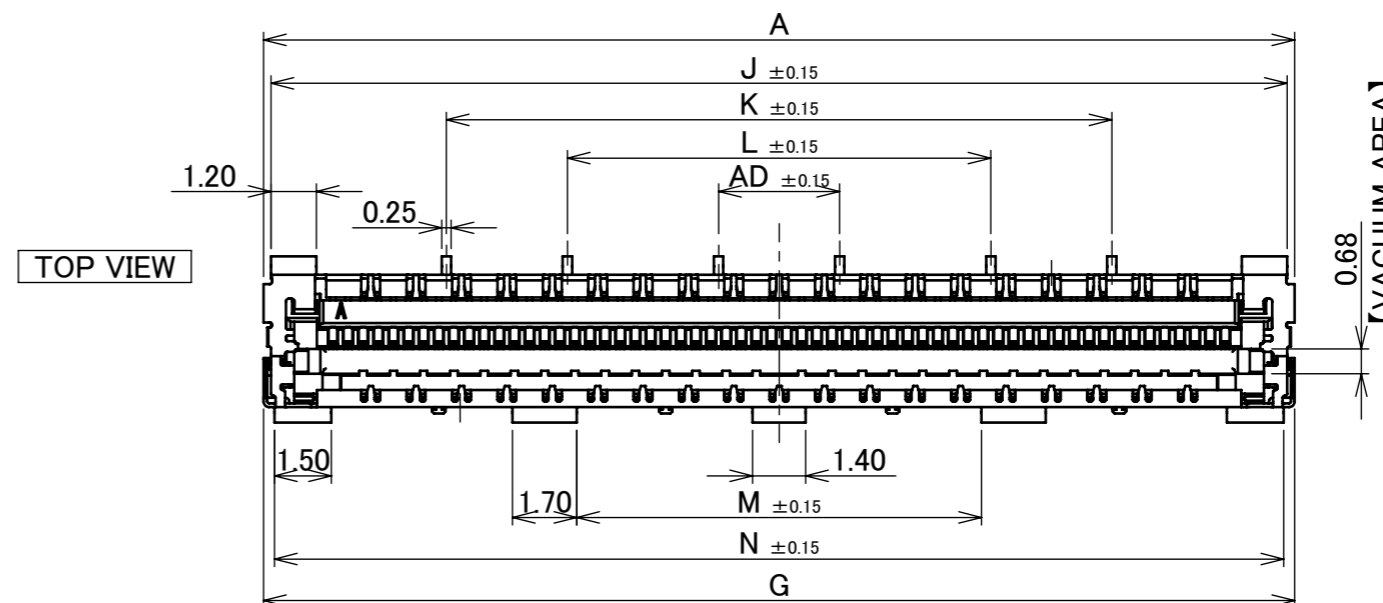
Halogen Free



RoHS Compliant



30P SHAPE
(S=5/1)

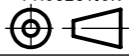


60P SHAPE
(S=5/1)

PATENT PENDING

ANGLE	±2°	6 OVER 30 MAX.	±0.3	PROJECTION ⊕	SERIES No. R4	CUSTOMER COPY		
6 MAX.	±0.2	30 OVER 120 MAX.	±0.5					
GENERAL TOLERANCE.				TITLE CABLIN [®] -UM RECE. ASS'Y	SCALE 5:1	UNIT I-PEX		
DWG.	DATE							
CHK.								
APP.								
				DWG. No.	20879	SIZE A3	SHEET 3/14	REV. 8

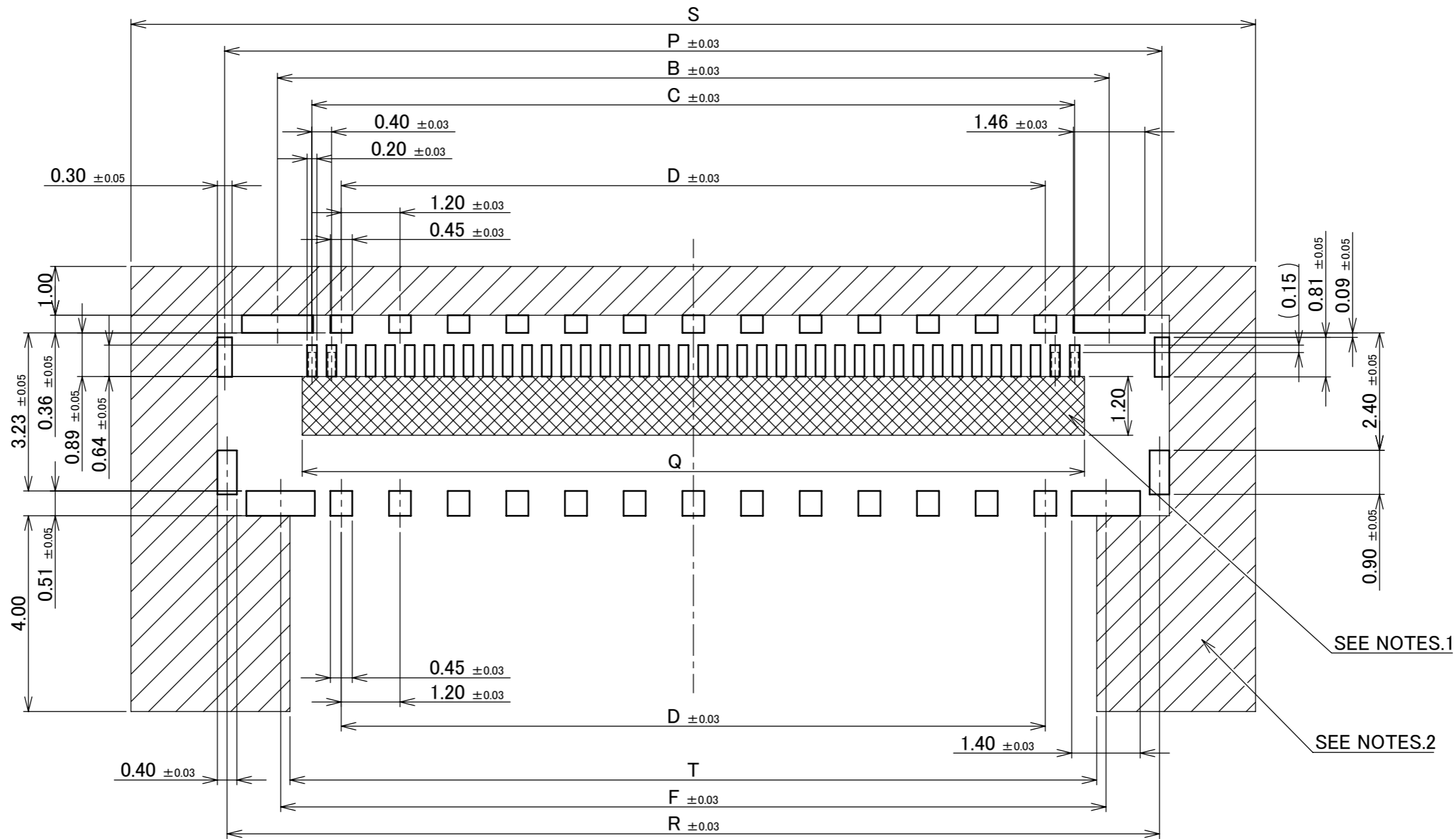
ITEMS	SPECIFICATION
APPLICABLE CABLE	MICRO COAX : AWG# 44 , 42 , 40 , 38 , 36 DISCRETE : AWG# 36 , 34 TWINCOAX : AWG# 40 , 42
RATING VOLTAGE	100V AC (PER CONTACT PIN)
RATING AMPERAGE (FOR CONTACT)	0.15A AC/DC [AWG#44] PER CONTACT PIN/UP TO 60 CONTACTS 0.24A AC/DC [AWG#42] PER CONTACT PIN/UP TO 49 CONTACTS 0.3A AC/DC [AWG#40] PER CONTACT PIN/UP TO 38 CONTACTS 0.5A AC/DC [AWG#38] PER CONTACT PIN/UP TO 19 CONTACTS 0.8A AC/DC [AWG#36] PER CONTACT PIN/UP TO 12 CONTACTS 1.0A AC/DC [AWG#34] PER CONTACT PIN/UP TO 10 CONTACTS ※TESTING BY A REAL MACHINE IS RECOMMENDED BECAUSE TEMPERATURE RISE MAY AFFECTED BY ACTUAL SITUATION.
OPERATING TEMPERATURE	233~378K(-40°C~+105°C)
OPERATING HUMIDITY	85% MAX.(NON-CONDENSING)
CONTACT RESISTANCE	INITIAL : 180mohm MAX.(AWG#34) / AFTER TEST : \triangle 40mohm MAX. 275mohm MAX.(AWG#36) 360mohm MAX.(AWG#38) 600mohm MAX.(AWG#40) 700mohm MAX.(AWG#42) 1080mohm MAX.(AWG#44)
GROUND SHELL RESISTANCE	INITIAL : 50mohm MAX. / AFTER TEST : \triangle 40mohm MAX.
INSULATION RESISTANCE	INITIAL : 1000Mohm MIN. / AFTER TEST : 500Mohm MIN.
DIELECTRIC WITHSTANDING VOLTAGE	AC250V 1min
DURABILITY	30 CYCLES
MATING FORCE (INITIAL / AFTER TEST)	30P : 34.00N MAX. 60P : 52.00N MAX. 40P : 40.00N MAX.
UNMATING FORCE (INITIAL / AFTER TEST)	30P : 3.0N MIN. 60P : 6.0N MAX. 40P : 4.0N MIN.
CABLE RETENTION FORCE	30P : 14.70N MIN. 60P : 29.40N MAX. 40P : 19.60N MIN.
COPLANARITY	0.10 MAX.
PRODUCT SPECIFICATION	PRS-2514
TEST REPORT	TR-18067 (RECEPTACLE:20879-0**E-01) TR-18088 (RECEPTACLE:20879-0**E-02)
PACKING STANDARD	PST-18043
INSTRUCTION MANUAL	HIM-18033
ASSEMBLY MANUAL	ASM-18003
APPEARANCE CRITERIA No.	QLS-A***

ANGLE	$\pm 2^\circ$	6 OVER 30 MAX.	± 0.3	PROJECTION 	SERIES No. R4	CUSTOMER COPY		
6 MAX.	± 0.2	30 OVER 120 MAX.	± 0.5					
GENERAL TOLERANCE.				TITLE CABLIN [®] -UM RECE. ASS'Y	SCALE 5:1	I-PEX		
DWG.	DATE							
CHK.								
APP.								
DWG. No.	20879			SIZE A3	SHEET 4/14	REV. 8		

PART No.	Pos.	B	C	D	F	P	Q	R	S	T
20879-030E-01	30	13.01	11.60	9.60	12.88	15.17	12.00	15.07	19.00	12.50
20879-040E-01	40	17.01	15.60	14.40	16.88	19.17	16.00	19.07	23.00	16.50
◆20879-060E-01	60	25.01	23.60	21.60	24.88	27.17	24.00	27.07	31.00	24.50

01 TYPE

◆MARK MEANS NOT AVAILABLE.



01 TYPE RECOMMENDED PCB LAYOUT
(S=10/1)

- NOTES.**
 1.SOLDER RESIST SHALL BE COATED IN CASE OF RUNNING TRACES ON THIS FOOT PRINT PATTERN PROHIBITION AREA.
 2.THIS AREA CANNOT MOUNT ANOTHER COMPONENTS.

PATENT PENDING

ANGLE	±2°	6 OVER 30 MAX.	±0.3	PROJECTION	SERIES No.	CUSTOMER COPY			
6 MAX.	±0.2	30 OVER 120 MAX.	±0.5		R4	SCALE	I-PEX		
GENERAL TOLERANCE.				TITLE		5:1			
DWG.	DATE	CABLIN [®] -UM RECE. ASS'Y			UNIT	mm			
CHK.					SIZE	SHEET	REV.		
APP.		DWG. No.	20879	A3	5/14	8			

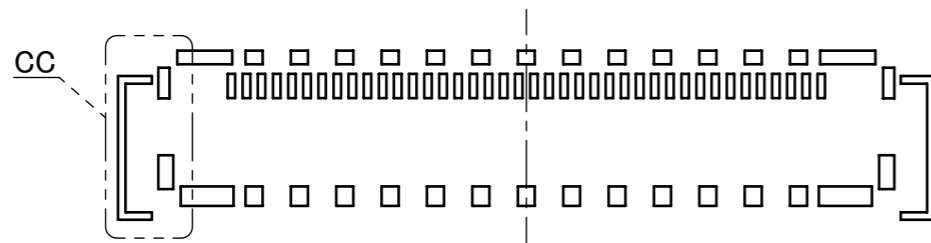
PART No.	Pos.
20879-030E-01	30
20879-040E-01	40
◆ 20879-060E-01	60

◆ MARK MEANS NOT AVAILABLE.

PATENT PENDING

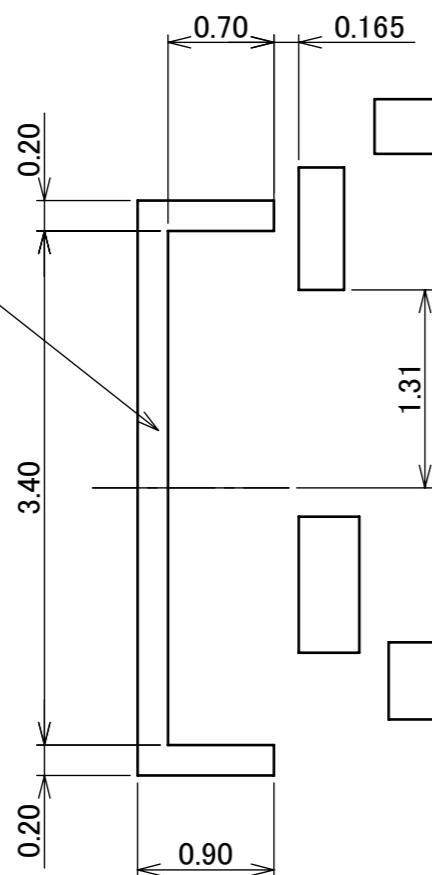
01 TYPE

With LOCK COVER



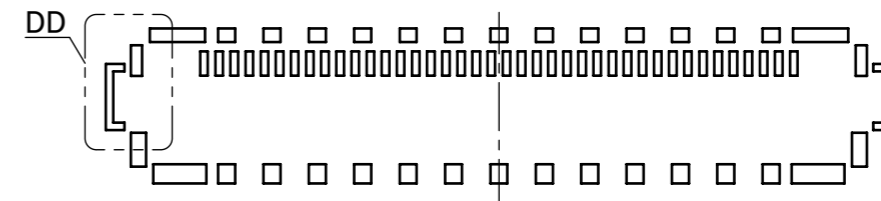
RECOMMENDED SILK PRINT For With LOCK COVER
(S=5/1)

SILK PRINT
For PLUG INSERTION CHECK

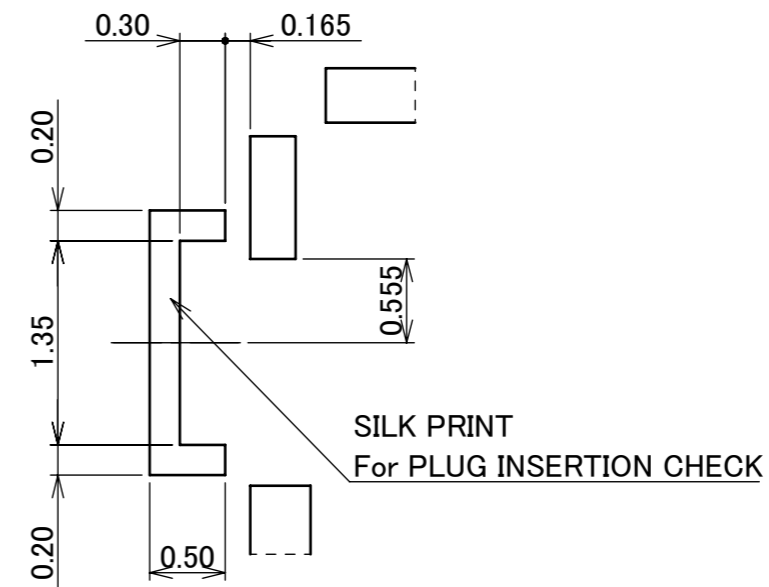


DETAIL CC
(S=20/1)

Without LOCK COVER & With PULL TAPE HOLDER



RECOMMENDED SILK PRINT For Without LOCK COVER
(S=5/1)



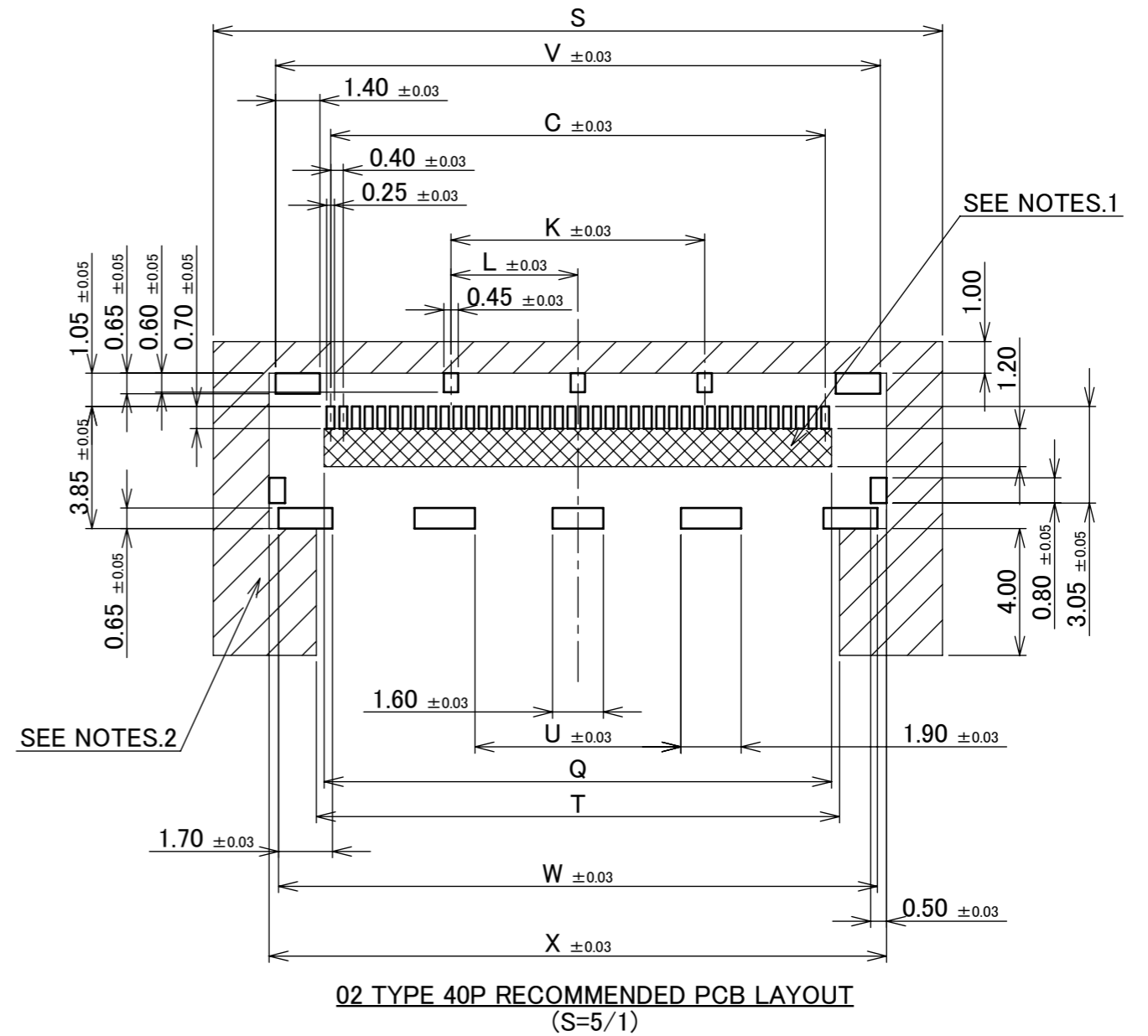
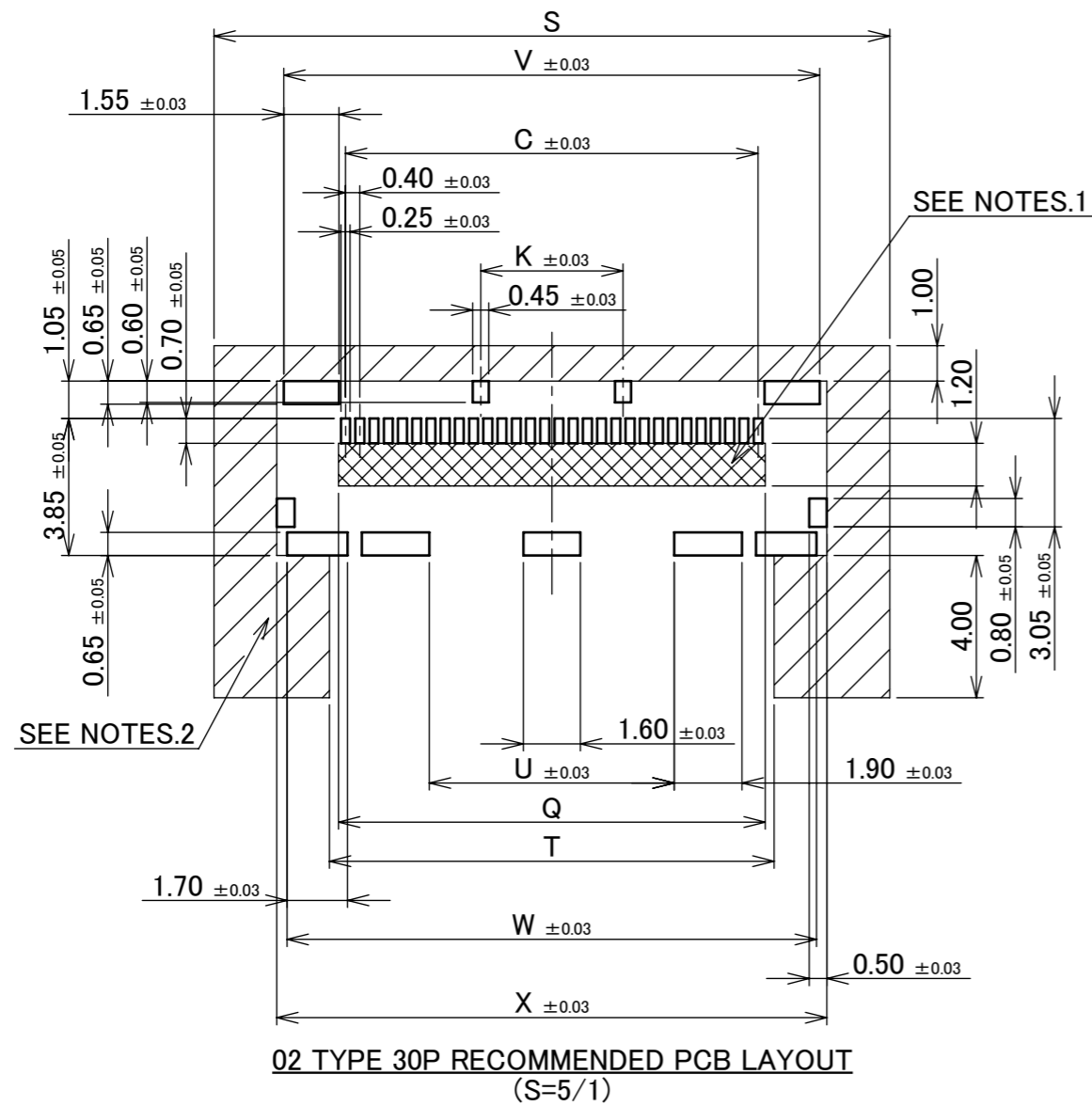
DETAIL DD
(S=20/1)

ANGLE	±2°	6 OVER 30 MAX.	±0.3	PROJECTION ⊕	SERIES No. R4	CUSTOMER COPY			
	6 MAX.	±0.2	30 OVER 120 MAX.						±0.5
GENERAL TOLERANCE.				TITLE		SCALE	I-PEX		
DWG.	DATE			CABLIN® -UM RECE. ASS'Y		5:1			
CHK.						UNIT			
APP.						mm			
				DWG. No.	20879	SIZE	SHEET	REV.	
						A3	6/14	8	

PART No.	Pos.	C	K	L	Q	S	T	U	V	W	X
20879-030E-02	30	11.60	4.00	-	12.00	19.00	12.50	6.89	15.07	14.89	15.47
20879-040E-02	40	15.60	8.00	4.00	16.00	23.00	16.50	6.50	19.07	18.89	19.47
20879-060E-02	60	23.60	17.60	11.20	24.00	31.00	24.50	10.50	27.07	26.89	27.47

PATENT PENDING

02 TYPE



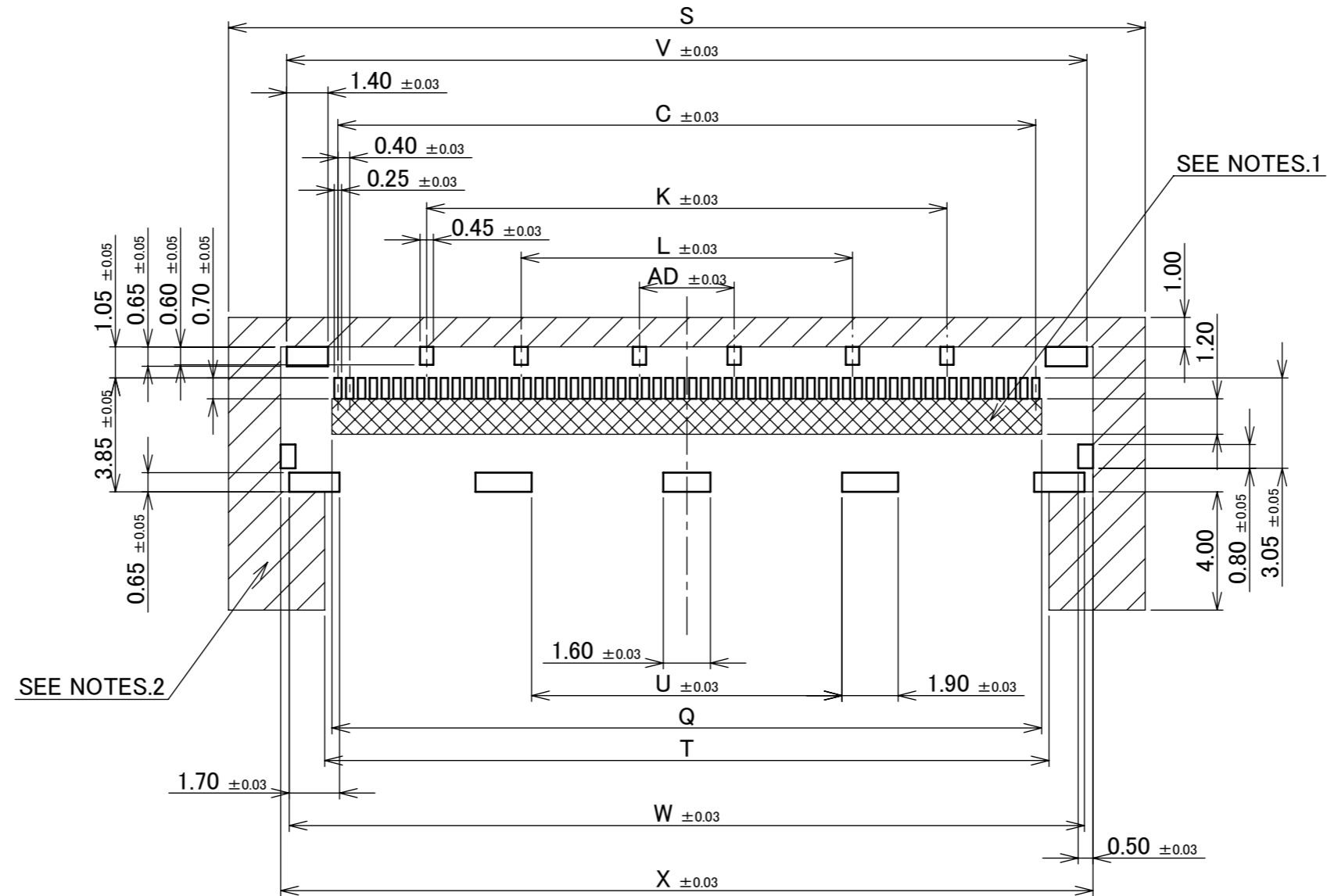
NOTES.
 1.SOLDER RESIST SHALL BE COATED IN CASE OF RUNNING TRACES ON THIS FOOT PRINT PATTERN PROHIBITION AREA.
 2.THIS AREA CANNOT MOUNT ANOTHER COMPONENTS.

ANGLE	±2°	6 OVER 30 MAX.	±0.3	PROJECTION ⊕	SERIES No. R4	CUSTOMER COPY		
	6 MAX.	±0.2	30 OVER 120 MAX.					±0.5
GENERAL TOLERANCE.				TITLE CABLIN [®] -UM RECE. ASS'Y	SCALE 5:1	UNIT I-PEX		
DWG.	DATE							
CHK.								
APP.								
				DWG. No.	20879	SIZE A3	SHEET 7/14	REV. 8

PART No.	Pos.	C	K	L	Q	S	T	U	V	W	X	AD
20879-030E-02	30	11.60	4.00	-	12.00	19.00	12.50	6.89	15.07	14.89	15.47	-
20879-040E-02	40	15.60	8.00	4.00	16.00	23.00	16.50	6.50	19.07	18.89	19.47	-
20879-060E-02	60	23.60	17.60	11.20	24.00	31.00	24.50	10.50	27.07	26.89	27.47	3.20

PATENT PENDING

02 TYPE



02 TYPE 60P RECOMMENDED PCB LAYOUT
(S=5/1)

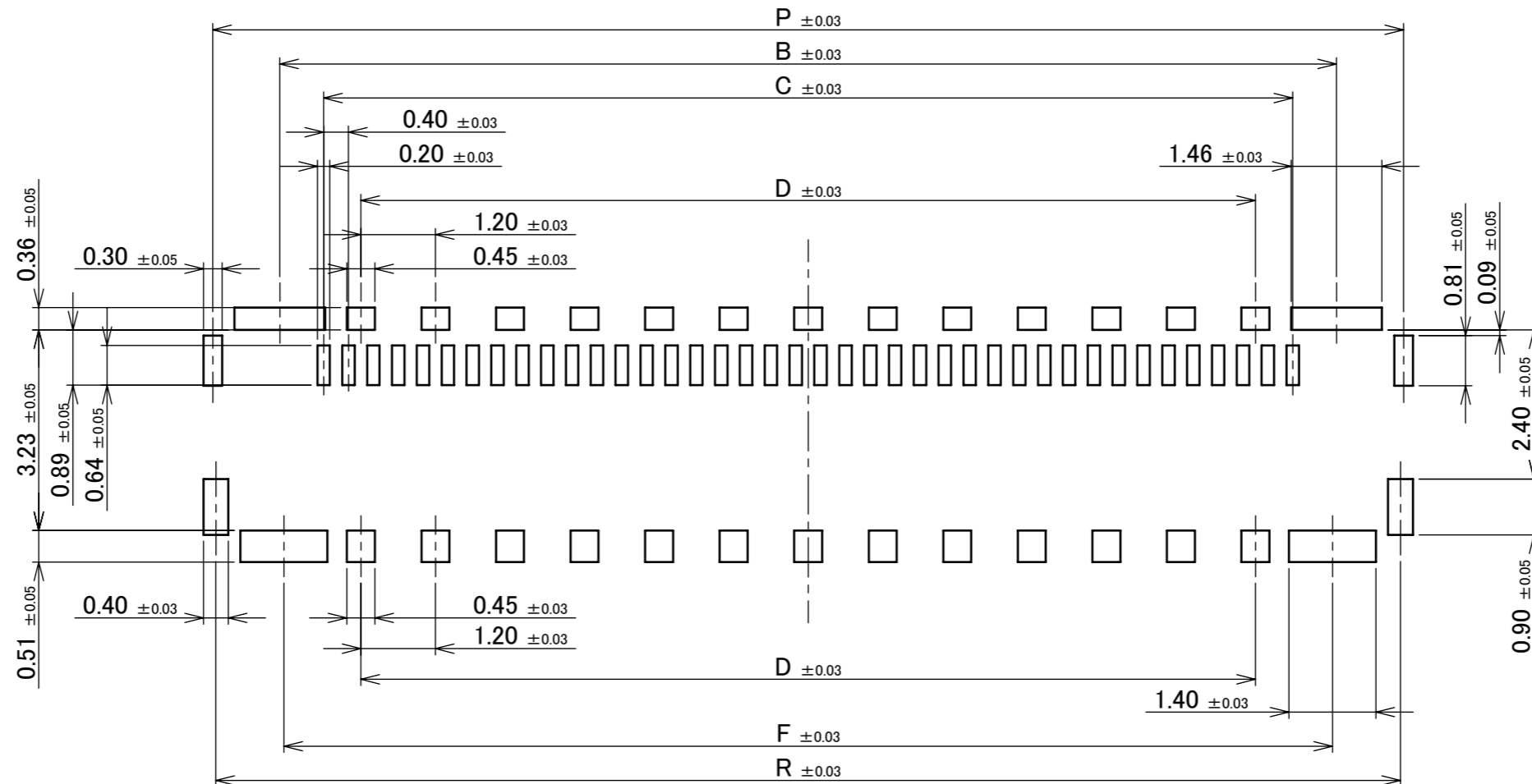
- NOTES.
 1.SOLDER RESIST SHALL BE COATED IN CASE OF RUNNING TRACES ON THIS FOOT PRINT PATTERN PROHIBITION AREA.
 2.THIS AREA CANNOT MOUNT ANOTHER COMPONENTS.

ANGLE	±2°	6 OVER 30 MAX.	±0.3	PROJECTION ⊕	SERIES No. R4	CUSTOMER COPY		
6 MAX.	±0.2	30 OVER 120 MAX.	±0.5					
GENERAL TOLERANCE.				TITLE CABLIN [®] -UM RECE. ASS'Y	SCALE 5:1	UNIT I-PEX		
DWG.	DATE							
CHK.								
APP.								
				DWG. No.	20879	SIZE A3	SHEET 8/14	REV. 8

PART No.	Pos.	B	C	D	F	P	R
20879-030E-01	30	13.01	11.60	9.60	12.88	15.17	15.07
20879-040E-01	40	17.01	15.60	14.40	16.88	19.17	19.07
◆20879-060E-01	60	25.01	23.60	21.60	24.88	27.17	27.07

◆ MARK MEANS NOT AVAILABLE.

01 TYPE



01 TYPE RECOMMENDED METAL MASK LAYOUT (S=10/1)

※ METAL MASK THICKNESS : t = 0.10

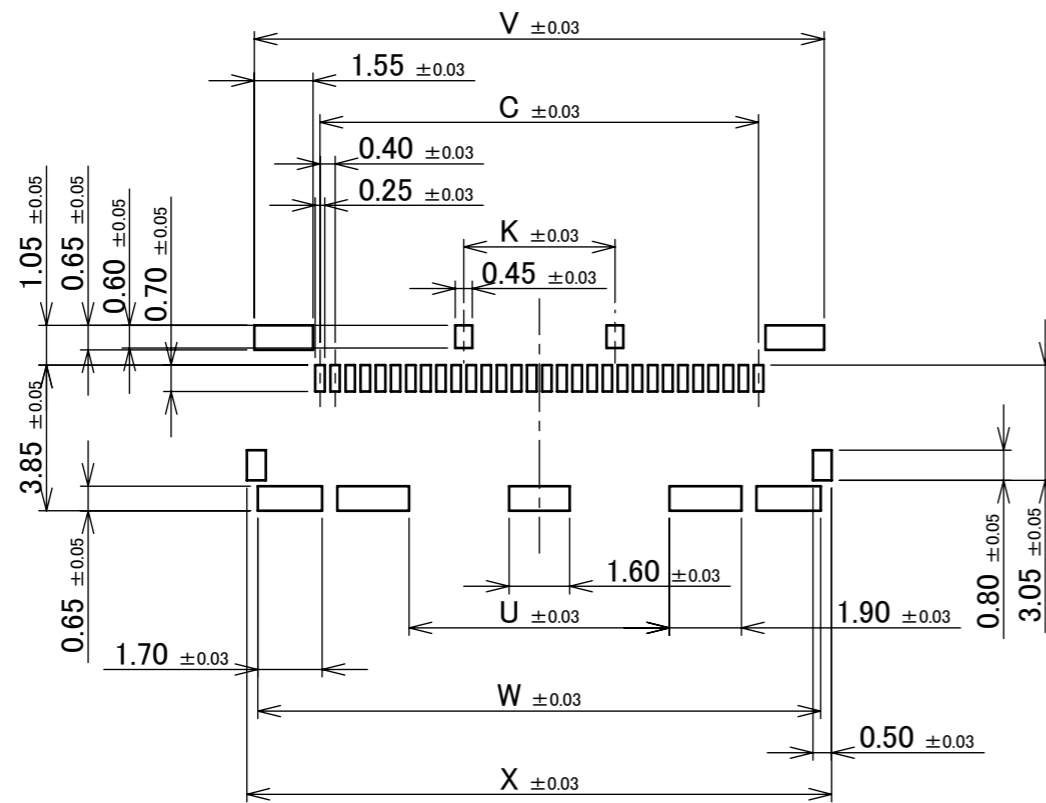
PATENT PENDING

ANGLE	±2°	6 OVER 30 MAX.	±0.3	PROJECTION ⊕	SERIES No. R4	CUSTOMER COPY		
6 MAX.	±0.2	30 OVER 120 MAX.	±0.5					
GENERAL TOLERANCE.				TITLE CABLINÉ® -UM RECE. ASS'Y	SCALE 5:1 UNIT mm	I-PEX		
DWG.	DATE							
CHK.								
APP.								
				DWG. No.	20879	SIZE A3	SHEET 9/14	REV. 8

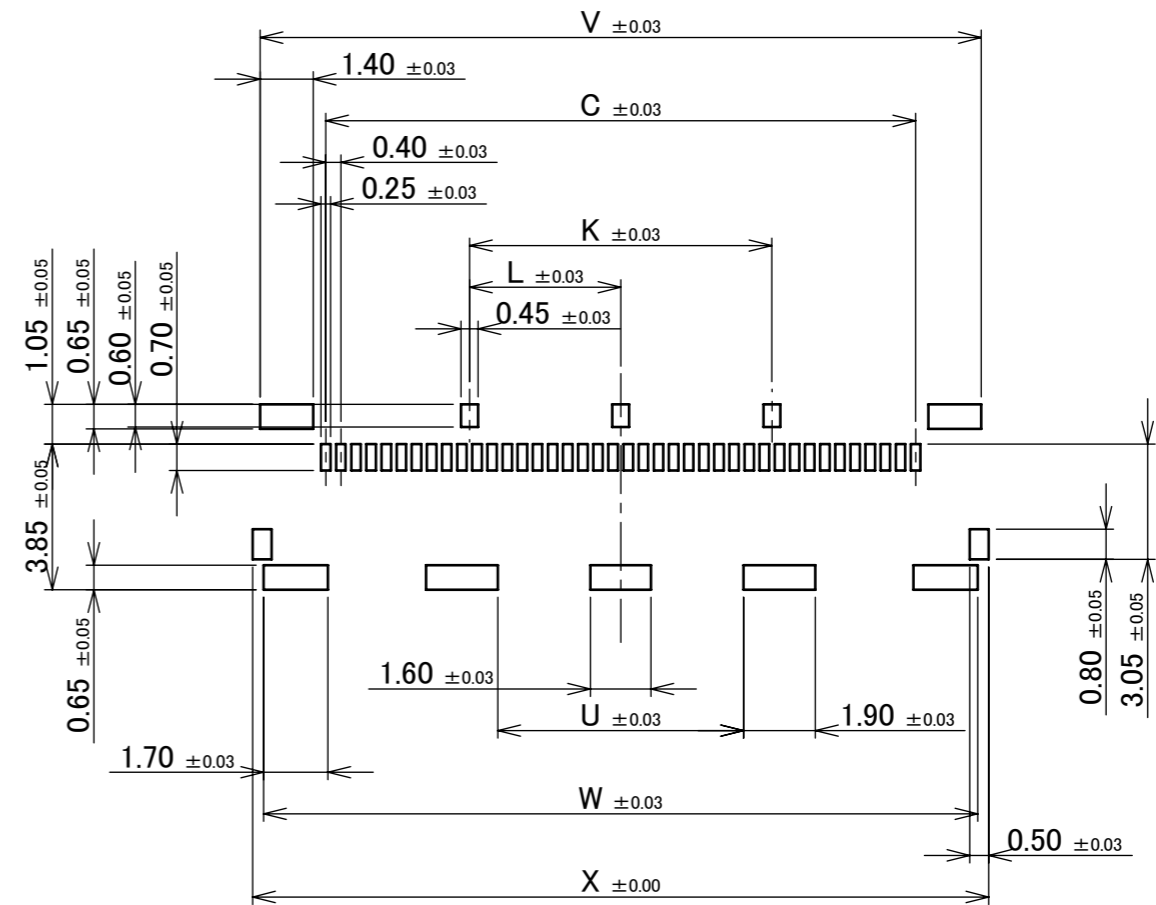
PART No.	Pos.	C	K	L	U	V	W	X
20879-030E-02	30	11.60	4.00	-	6.89	15.07	14.89	15.47
20879-040E-02	40	15.60	8.00	4.00	6.50	19.07	18.89	19.47
20879-060E-02	60	23.60	17.60	11.20	10.50	27.07	26.89	27.47

PATENT PENDING

02 TYPE



02 TYPE 30P RECOMMENDED METAL MASK LAYOUT (S=5/1)
 ※ METAL MASK THICKNESS : t = 0.12



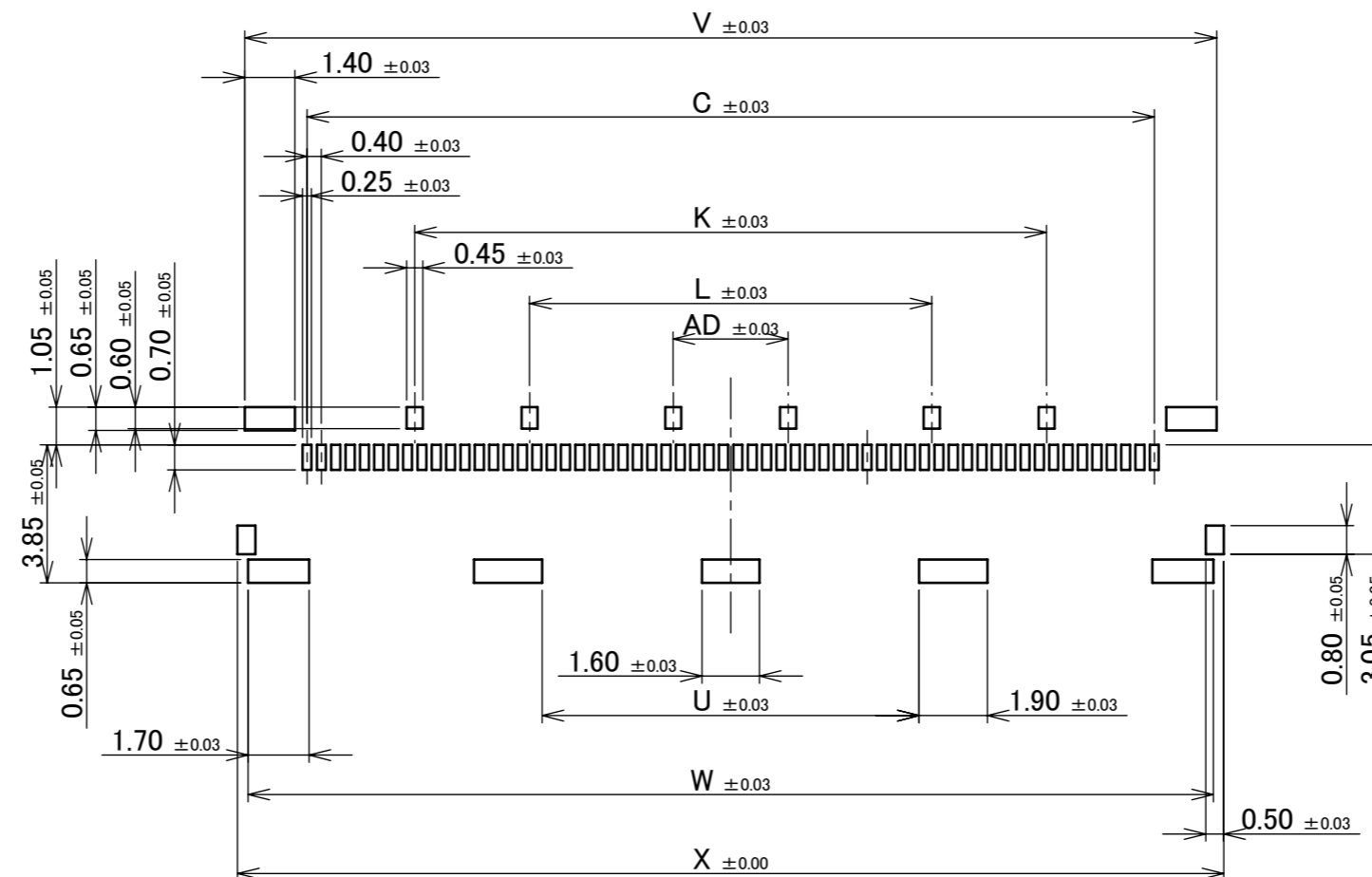
02 TYPE 40P RECOMMENDED METAL MASK LAYOUT (S=5/1)
 ※ METAL MASK THICKNESS : t = 0.12

ANGLE	±2°	6 OVER 30 MAX.	±0.3	PROJECTION 	SERIES No. R4	CUSTOMER COPY		
6 MAX.	±0.2	30 OVER 120 MAX.	±0.5					
GENERAL TOLERANCE.				TITLE CABLIN [®] -UM RECE. ASS'Y	SCALE 5:1	UNIT I-PEX		
DWG.	DATE							
CHK.								
APP.								
				DWG. No.	20879	SIZE A3	SHEET 10/14	REV. 8

PART No.	Pos.	C	K	L	U	V	W	X	AD
20879-030E-02	30	11.60	4.00	-	6.89	15.07	14.89	15.47	-
20879-040E-02	40	15.60	8.00	4.00	6.50	19.07	18.89	19.47	-
20879-060E-02	60	23.60	17.60	11.20	10.50	27.07	26.89	27.47	3.20

PATENT PENDING

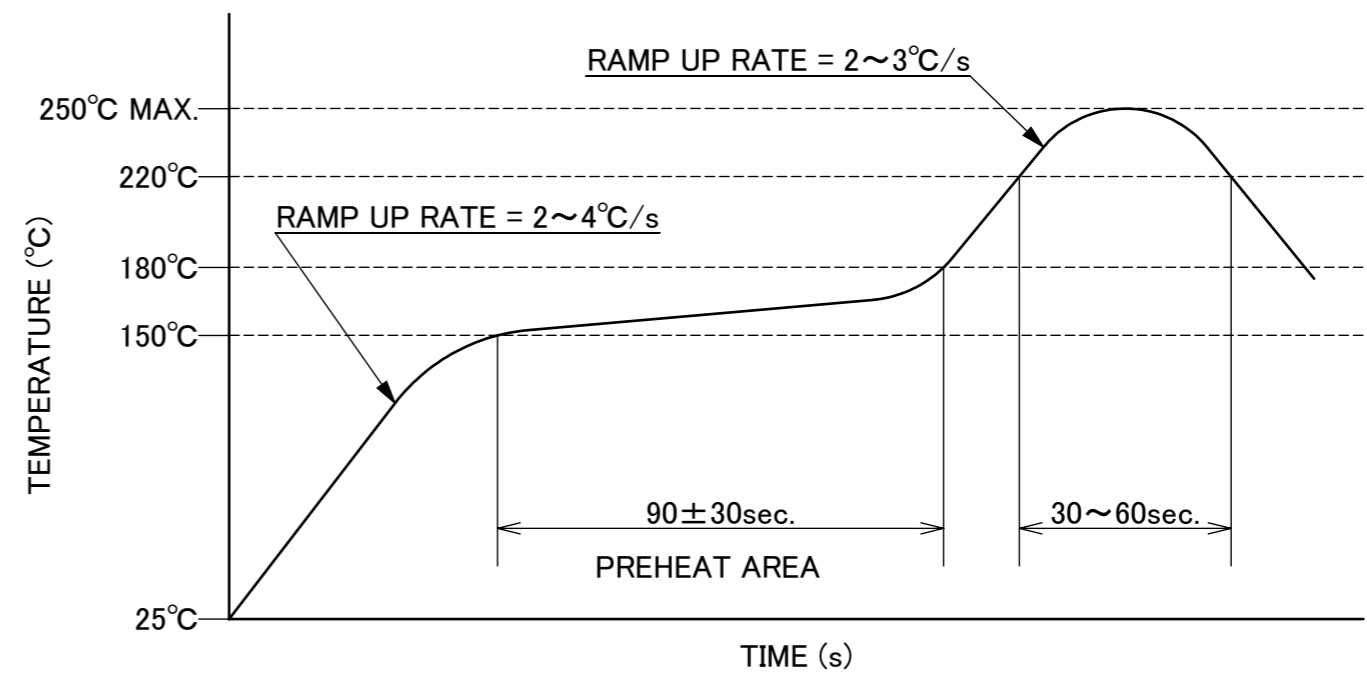
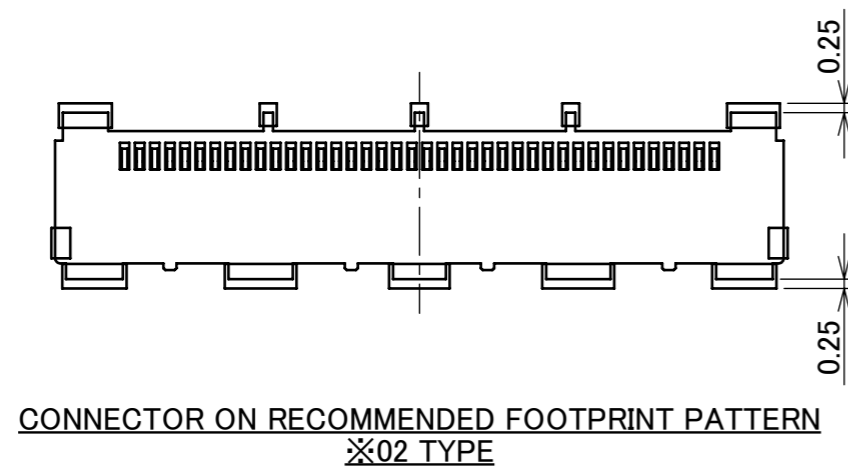
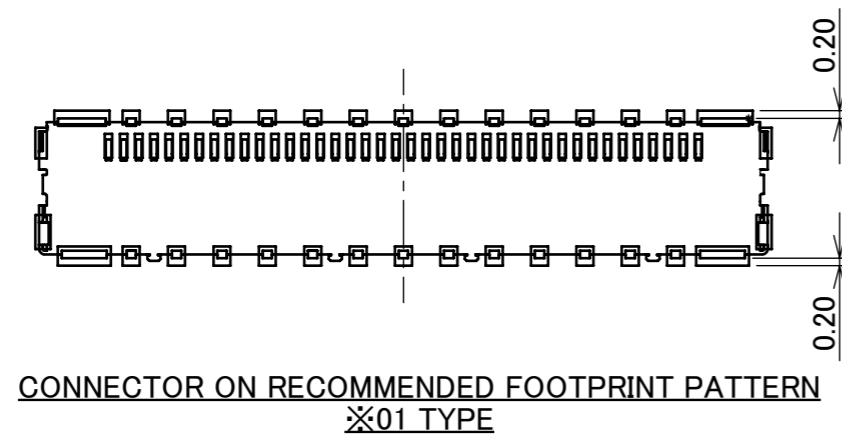
02 TYPE



02 TYPE 60P RECOMMENDED METAL MASK LAYOUT (S=5/1)
 ※ METAL MASK THICKNESS : t = 0.12

ANGLE	±2°	6 OVER 30 MAX.	±0.3	PROJECTION 	SERIES No. R4	CUSTOMER COPY		
6 MAX.	±0.2	30 OVER 120 MAX.	±0.5					
GENERAL TOLERANCE.				TITLE CABLIN [®] -UM RECE. ASS'Y	SCALE 5:1	UNIT I-PEX		
DWG.	DATE							
CHK.								
APP.								
				DWG. No.	20879	SIZE A3	SHEET 11/14	REV. 8

PATENT PENDING



REFLOW TEMPERATURE PROFILE
SENJU METAL INDUSTRY CO., LTD. : M705-SHF(Sn96.5 Ag3.0 Cu0.5)

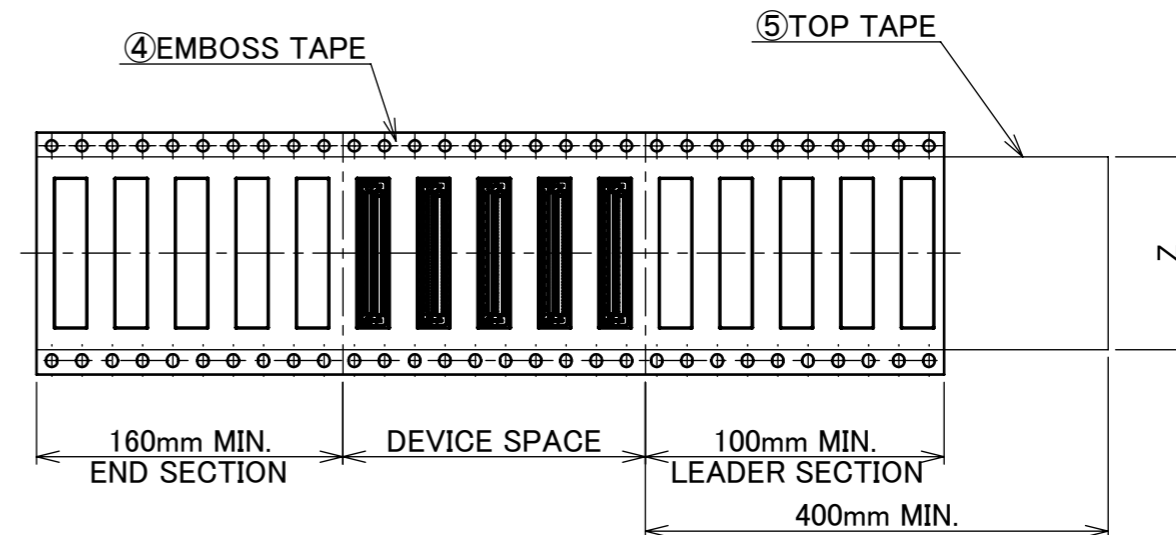
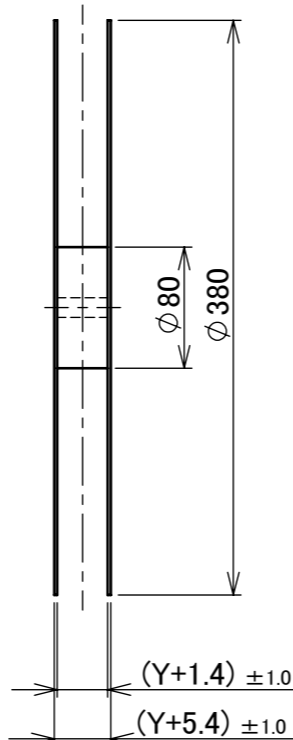
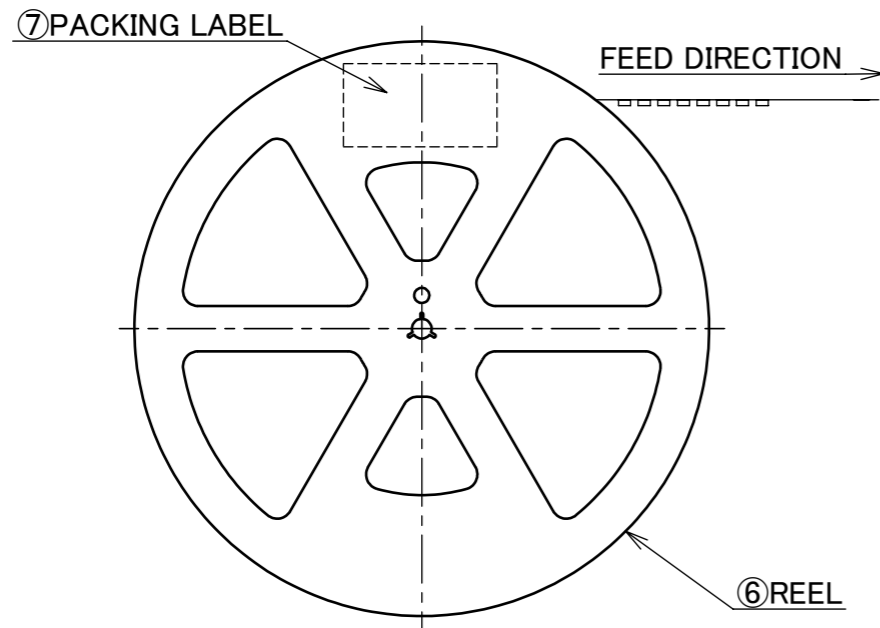
ANGLE	±2°	6 OVER 30 MAX.	±0.3	PROJECTION ⊕	SERIES No. R4	CUSTOMER COPY				
6 MAX.	±0.2	30 OVER 120 MAX.	±0.5							
GENERAL TOLERANCE.				TITLE CABLIN [®] -UM RECE. ASS'Y		SCALE	I-PEX			
DWG.	DATE					5:1				
CHK.						UNIT				mm
APP.						SIZE				SHEET
				DWG. No.	20879	A3	12/14	8		

PART NO.	Y	Z	AA	AB	AC	QTY. PER EMBOSS REEL (PIECES / REEL)	QTY. PER PACKING CARTON (REELS / CARTON)
20879-030E-01	32.00	25.50	14.20	28.40	15.67	4500 / REEL	4 / CARTON = 18000
20879-040E-01	32.00	25.50	14.20	28.40	19.67	4500 / REEL	4 / CARTON = 18000
◆20879-060E-01	44.00	37.50	20.20	40.40	27.67	4500 / REEL	3 / CARTON = 13500

01 TYPE

◆ MARK MEANS NOT AVAILABLE.

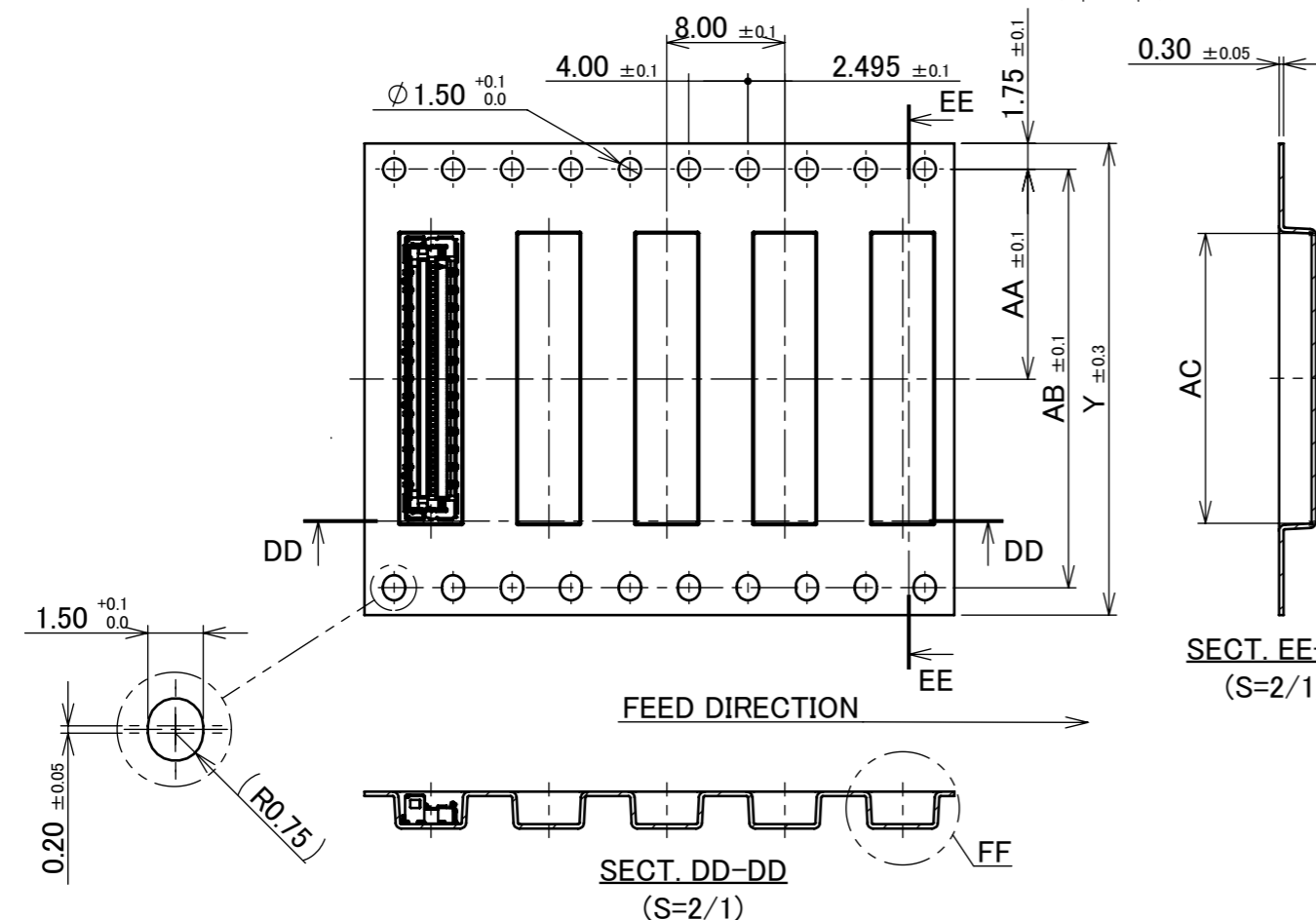
FEED DIRECTION →



PATENT PENDING

NOTES.

- TAPING SPECIFICATION FOLLOWS JIS C 0806 (IEC 60286-3).
- MAKE EMPTY SECTION OF LEADER AND END ON EACH END OF THE TAPE.
- TOP TAPE SHALL NOT STICK OUT FROM EMBOSS TAPE.
- TOP TAPE SHALL NOT COVER FEED HOLE.

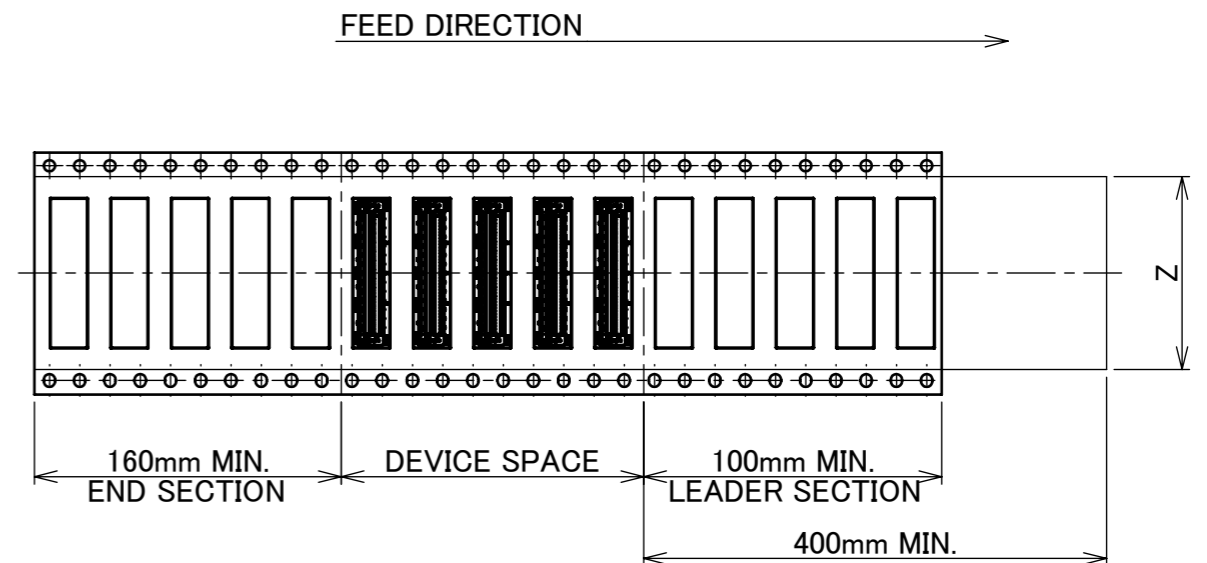
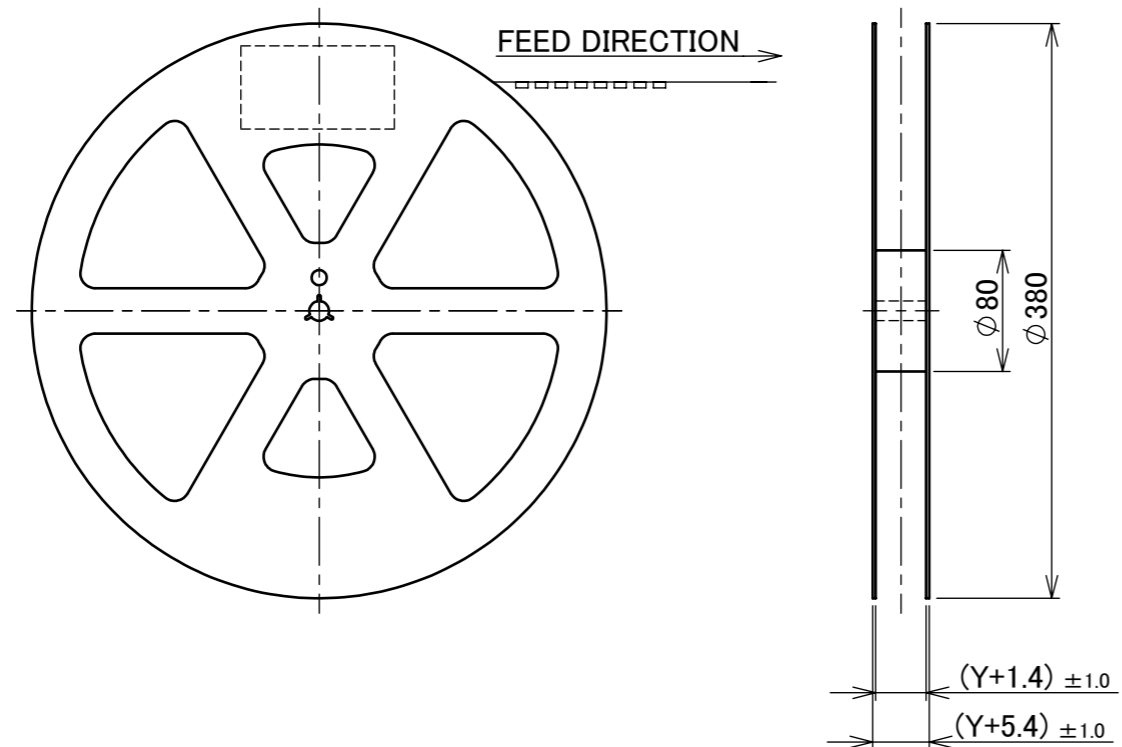


NO.	DISCRIPTION	MATERIAL	FINISH , REMARKS
7	PACKING LABEL	-	-
6	REEL	PS	ANTI-STATIC TYPE BLACK
5	TOP TAPE	PET $t=0.062$ TRANSPARENCY	ANTI-STATIC TYPE
4	EMBOSS TAPE	PS $t=0.3$ TRANSPARENCY	ANTI-STATIC TYPE

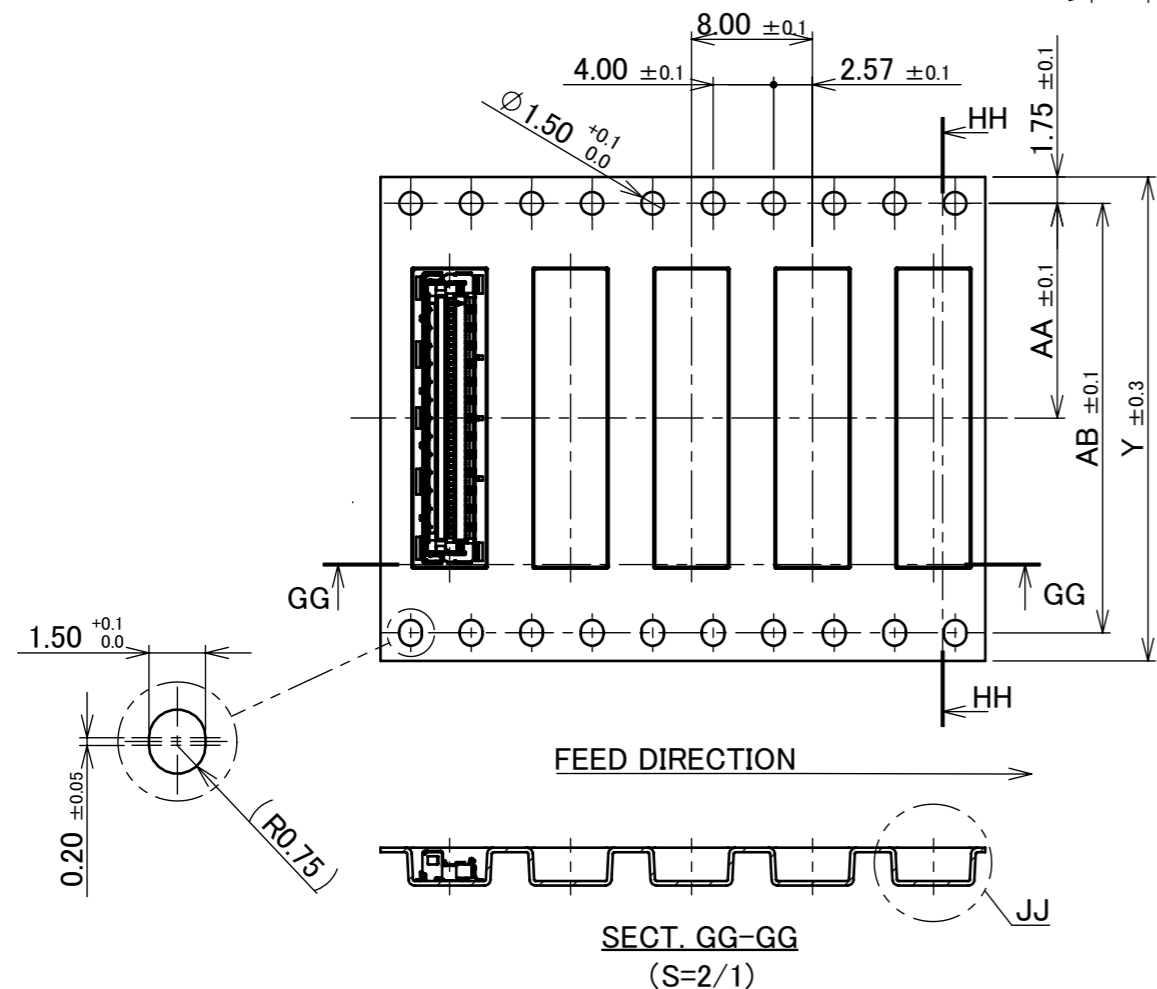
ANGLE	$\pm 2^\circ$	6 OVER 30 MAX.	± 0.3	PROJECTION	SERIES No.	CUSTOMER COPY				
6 MAX.	± 0.2	30 OVER 120 MAX.	± 0.5		R4	SCALE	I-PEX			
GENERAL TOLERANCE.						TITLE				5:1
DWG.	DATE				CABLIN [®] -UM RECE. ASS'Y	UNIT				
CHK.					DWG. No.	20879	mm	SIZE	SHEET	REV.
APP.							A3	13/14	8	

PART NO.	Y	Z	AA	AB	AC	QTY. PER EMBOSS REEL (PIECES / REEL)	QTY. PER PACKING CARTON (REELS / CARTON)
20879-030E-02	32.00	25.50	14.20	28.40	15.67	4500 / REEL	4 / CARTON = 18000
20879-040E-02	32.00	25.50	14.20	28.40	19.67	4500 / REEL	4 / CARTON = 18000
20.879-060E-02	44.00	37.50	20.20	40.40	27.67	4500 / REEL	3 / CARTON = 13500

02 TYPE



PATENT PENDING



- NOTES.
5. TAPING SPECIFICATION FOLLOWS JIS C 0806 (IEC 60286-3).
 6. MAKE EMPTY SECTION OF LEADER AND END ON EACH END OF THE TAPE.
 7. TOP TAPE SHALL NOT STICK OUT FROM EMBOSS TAPE.
 8. TOP TAPE SHALL NOT COVER FEED HOLE.

ANGLE	±2°	6 OVER 30 MAX.	±0.3	PROJECTION ⊕	SERIES No. R4	CUSTOMER COPY	
	6 MAX.	±0.2	30 OVER 120 MAX.				
GENERAL TOLERANCE.				TITLE CABLIN [®] -UM RECE. ASS'Y	SCALE 5:1	UNIT I-PEX	
DWG.	DATE						
CHK.							
APP.							
DWG. No. 20879				SIZE A3	SHEET 14/14	REV. 8	