

Recommended P/N 20879-0\*\*E-01

PART NO.	Pos.	A	B	C	D	E	F	G	H
20879-030E-01	30	15.27	13.01	11.60	9.60	12.07	12.88	15.27	13.65
20879-040E-01	40	19.27	17.01	15.60	14.40	16.07	16.88	19.27	17.65
◆20879-060E-01	60	27.27	25.01	23.60	21.60	24.07	24.88	27.27	25.65

◆MARK MEANS NOT AVAILABLE.

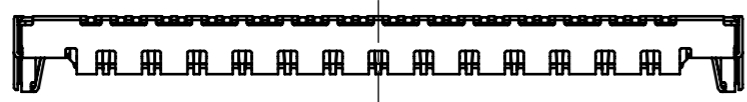
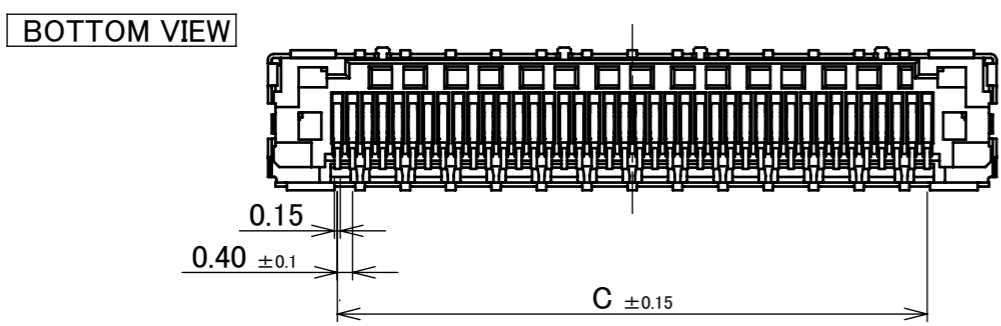
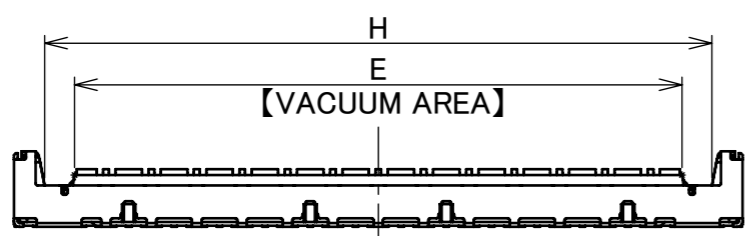
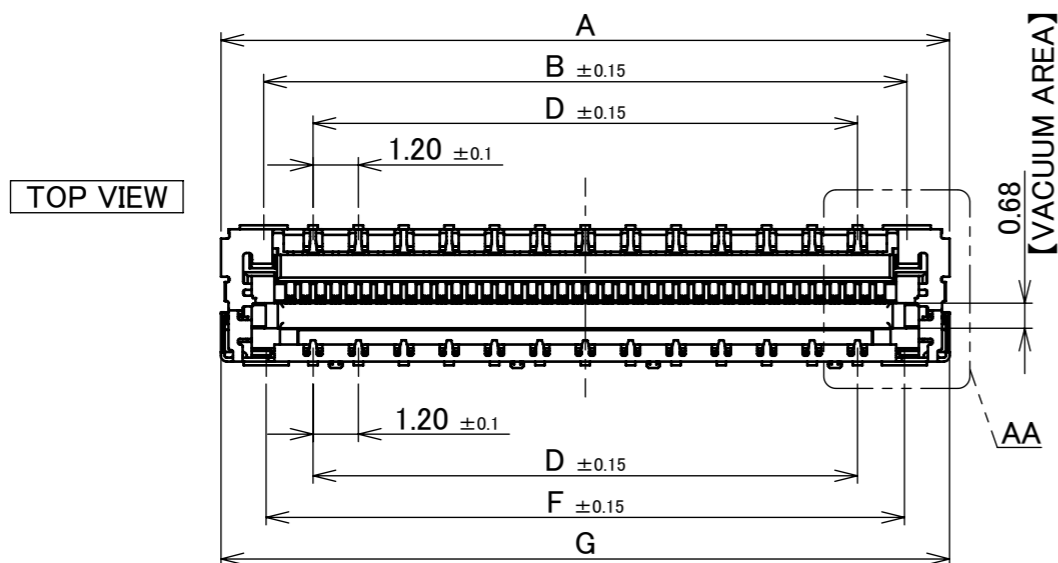
P/N : 20879-0\*\*E-0#

1 : NARROW GROUND PIN TYPE  
2 : WIDER GROUND PIN TYPE  
Pos.

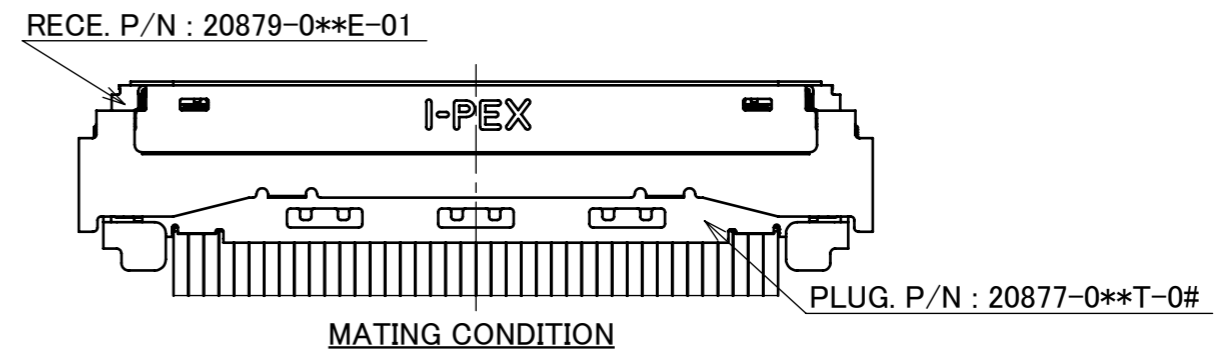
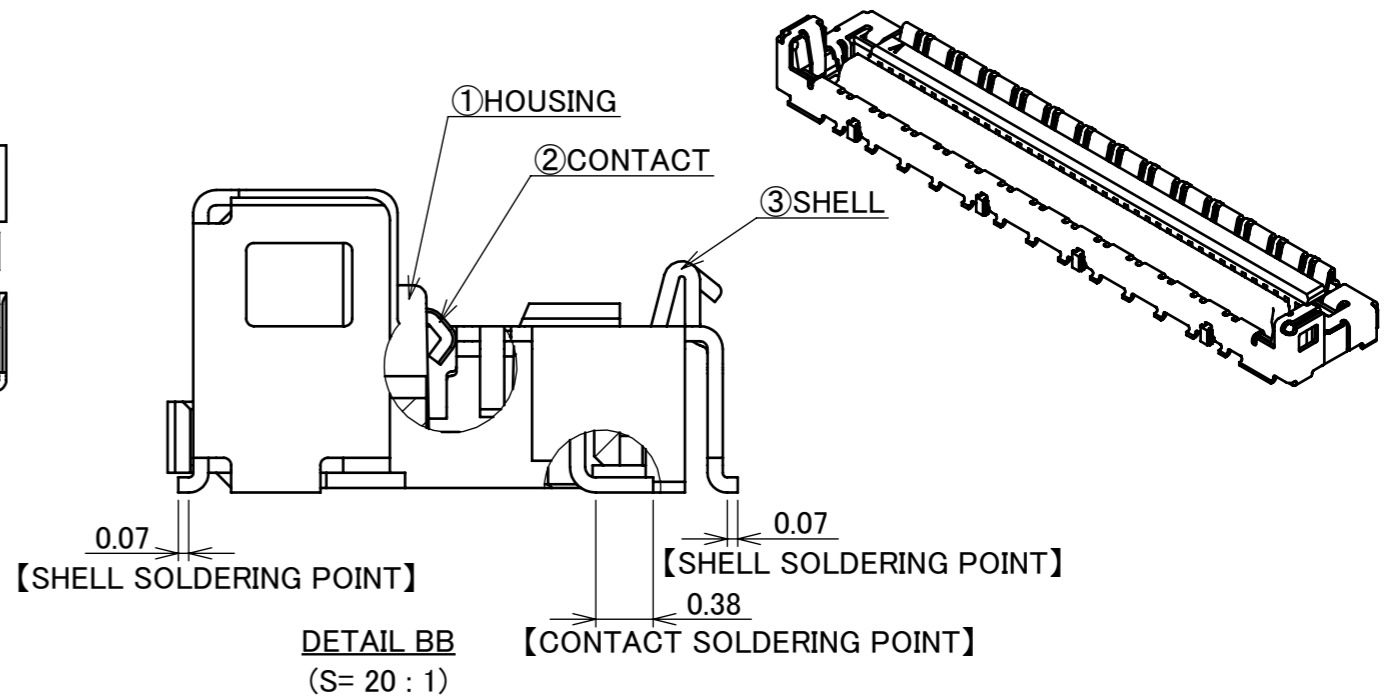
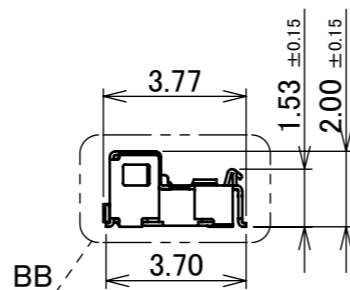
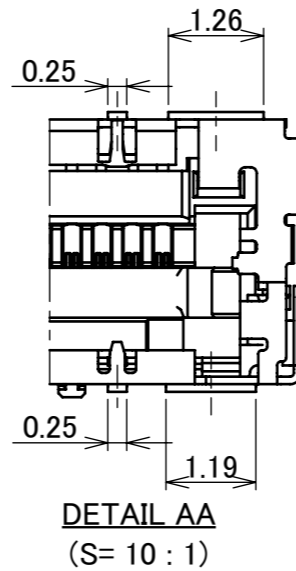
01 TYPE



Halogen Free RoHS Compliant



**PATENT PENDING**



NO.	DISCRIPTION	MATERIAL	FINISH , REMARKS
3	SHELL	PHOSPHOR BRONZE	ALL OVER : Ni 1.00 μ m MIN. SOLDERING AREA : Au 0.02 μ m MIN.
2	CONACT	CORSON ALLOY	ALL OVER : Ni 1.00 μ m MIN. CONTACT & SOLDERING AREA : Au 0.03 μ m MIN.
1	HOUSING	LCP	UL94V-0, BLACK

REV.	ECN	BY	DATE	APP.	APP.	APPROVAL	DATE	APPROVAL	DATE	PROJECTION	SERIES No.	TITLE	SCALE	UNIT	SIZE	SHEET	REV.
6	Z221346	T.M	Dec./01/'22	H.I	ANGLE	±2°	6 OVER 30 MAX.	±0.3		PROJECTION	R4	CUSTOMER COPY					
5	Z220874	T.M	Aug./02/'22	H.I	6 MAX.	±0.2	30 OVER 120 MAX.	±0.5					5:1				
4	Z211301	T.M	Nov./01/'21	H.I	GENERAL TOLERANCE.												
3	Z200195	Y.Sasa	Feb./17/'20	H.I	DWG.	DATE						TITLE					
2	Z191151	T.M	Aug./30/'19	H.I	T.Masunaga		2019/01/10					CABLIN® -UM RECE. ASS'Y					
1	Z191003	T.M	July/30/'19	H.I	CHK.												
REV.	ECN	BY	DATE	APP.	APP.					DWG. No.	20879		mm				
REVISION RECORD					H.Ikari								A3	1/14	6		

Recommended P/N 20879-0\*\*E-01

PART NO.	Pos.	A	C	E	G	H	J	K	L	M	N
20879-030E-02	30	15.27	11.60	12.07	15.27	13.65	14.87	4.00	-	7.09	14.69
20879-040E-02	40	19.27	15.60	16.07	19.27	17.65	18.87	8.00	4.00	6.70	18.69
20879-060E-02	60	27.27	23.60	24.07	27.27	25.65	26.87	17.60	11.20	10.70	26.69

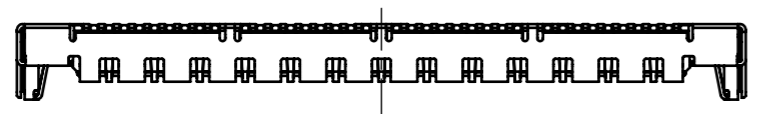
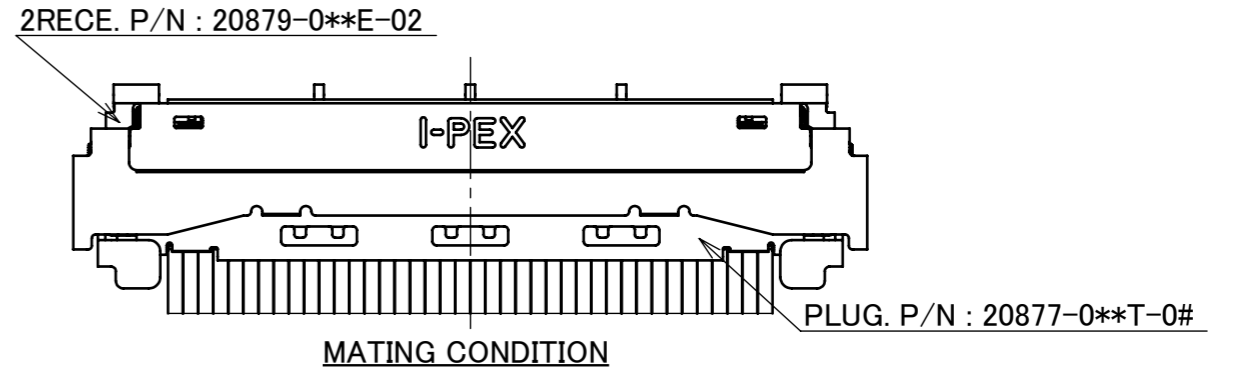
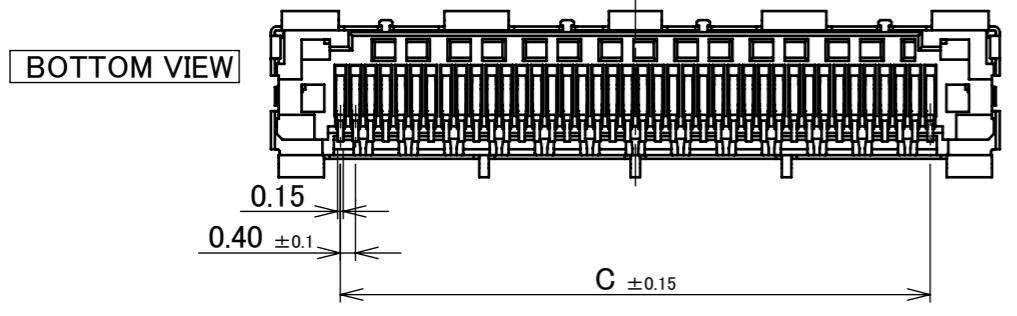
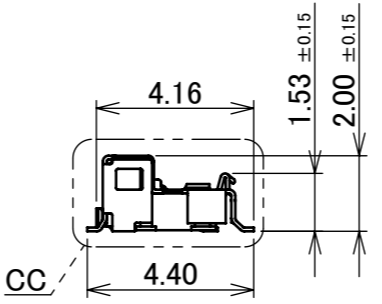
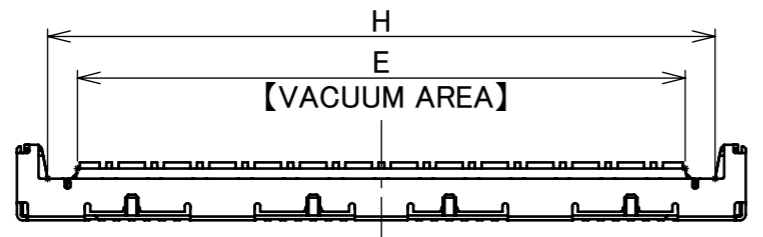
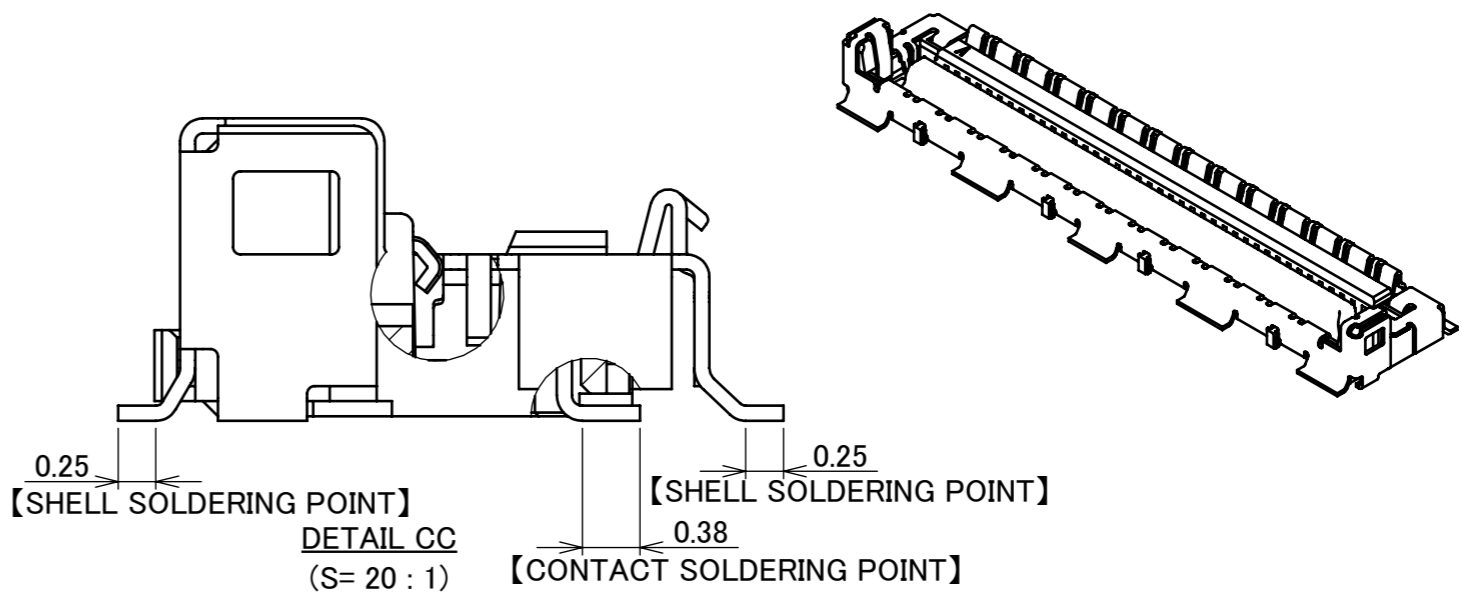
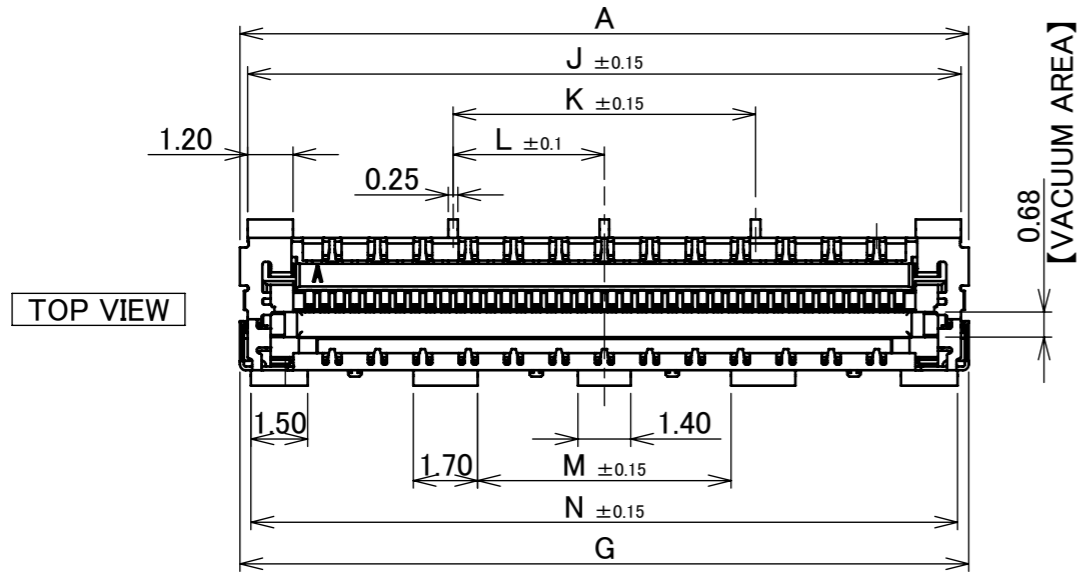
02 TYPE



Halogen Free



RoHS Compliant



**PATENT PENDING**

ANGLE	±2°	6 OVER 30 MAX.	±0.3	PROJECTION ⊕	SERIES No. R4	CUSTOMER COPY			
	6 MAX.	±0.2	30 OVER 120 MAX.						±0.5
GENERAL TOLERANCE.				TITLE CABLINÉ® -UM RECE. ASS'Y		SCALE 5:1	<b>I-PEX</b>		
DWG.	DATE			CHK.	UNIT mm				
APP.				DWG. No. 20879	SIZE A3	SHEET 2/14	REV. 6		

Recommended P/N 20879-0\*\*E-01

PART NO.	Pos.	A	C	E	G	H	J	K	L	M	N	AD
20879-030E-02	30	15.27	11.60	12.07	15.27	13.65	14.87	4.00	-	7.09	14.69	-
20879-040E-02	40	19.27	15.60	16.07	19.27	17.65	18.87	8.00	4.00	6.70	18.69	-
20879-060E-02	60	27.27	23.60	24.07	27.27	25.65	26.87	17.60	11.20	10.70	26.69	3.20

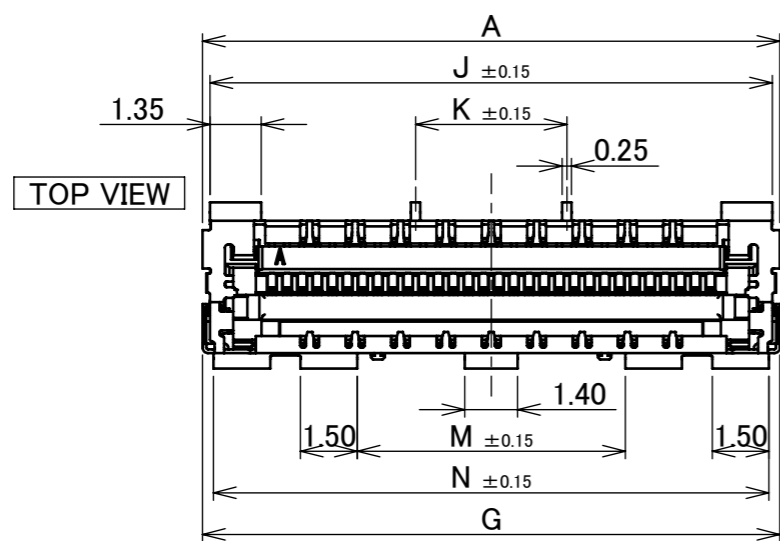
02 TYPE



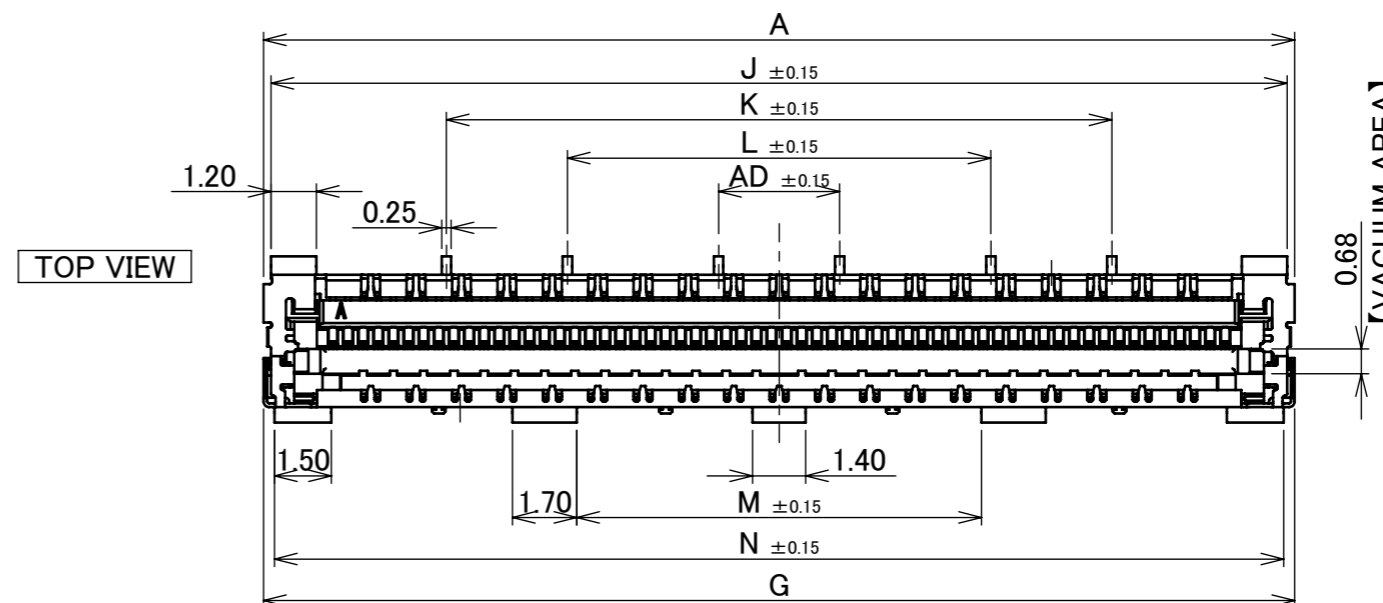
Halogen Free



RoHS Compliant



30P SHAPE (S=5/1)

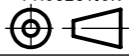



60P SHAPE (S=5/1)

**PATENT PENDING**

ANGLE	±2°	6 OVER 30 MAX.	±0.3	PROJECTION ⊕	SERIES No. R4	CUSTOMER COPY		
6 MAX.	±0.2	30 OVER 120 MAX.	±0.5					
GENERAL TOLERANCE.				TITLE CABLINE® -UM RECE. ASS'Y	SCALE 5:1	UNIT <b>I-PEX</b>		
DWG.	DATE							
CHK.								
APP.								
				DWG. No.	20879	SIZE A3	SHEET 3/14	REV. 6

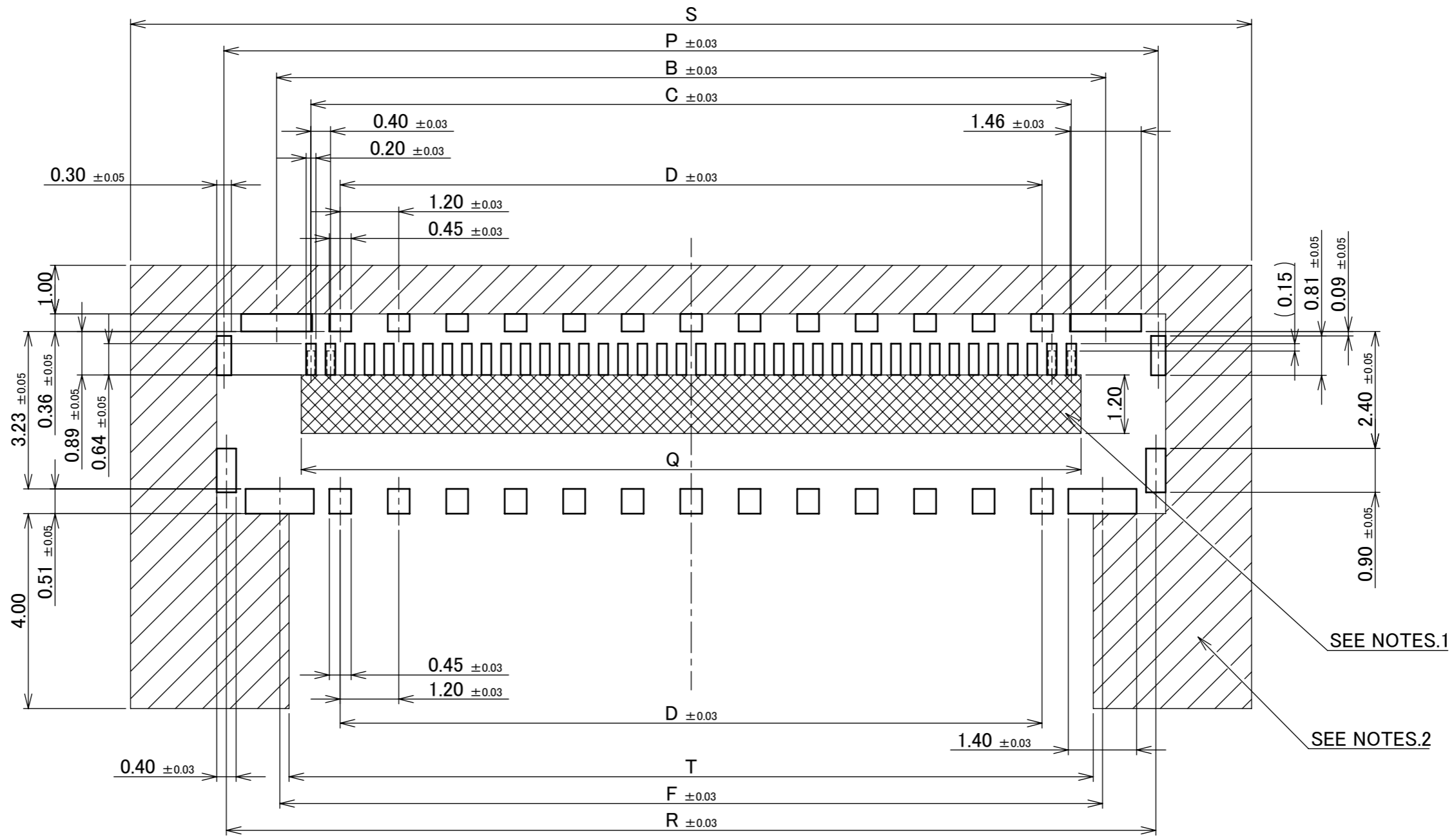
ITEMS	SPECIFICATION
APPLICABLE CABLE	MICRO COAX : AWG# 44 , 42 , 40 , 38 , 36 DISCRETE : AWG# 36 , 34 TWINCOAX : AWG# 40
RATING VOLTAGE	100V AC (PER CONTACT PIN)
RATING AMPERAGE (FOR CONTACT)	0.15A AC/DC [AWG#44] PER CONTACT PIN/UP TO 60 CONTACTS 0.24A AC/DC [AWG#42] PER CONTACT PIN/UP TO 49 CONTACTS 0.3A AC/DC [AWG#40] PER CONTACT PIN/UP TO 38 CONTACTS 0.5A AC/DC [AWG#38] PER CONTACT PIN/UP TO 19 CONTACTS 0.8A AC/DC [AWG#36] PER CONTACT PIN/UP TO 12 CONTACTS 1.0A AC/DC [AWG#34] PER CONTACT PIN/UP TO 10 CONTACTS ※TESTING BY A REAL MACHINE IS RECOMMENDED BECAUSE TEMPERATURE RISE MAY AFFECTED BY ACTUAL SITUATION.
OPERATING TEMPERATURE	233~378K(-40°C~+105°C)
OPERATING HUMIDITY	85% MAX.(NON-CONDENSING)
CONTACT RESISTANCE	INITIAL : 180mohm MAX.(AWG#34) / AFTER TEST : $\triangle$ 40mohm MAX. 275mohm MAX.(AWG#36) 360mohm MAX.(AWG#38) 600mohm MAX.(AWG#40) 700mohm MAX.(AWG#42) 1080mohm MAX.(AWG#44)
GROUND SHELL RESISTANCE	INITIAL : 50mohm MAX. / AFTER TEST : $\triangle$ 40mohm MAX.
INSULATION RESISTANCE	INITIAL : 1000Mohm MIN. / AFTER TEST : 500Mohm MIN.
DIELECTRIC WITHSTANDING VOLTAGE	AC250V 1min
DURABILITY	30 CYCLES
MATING FORCE (INITIAL / AFTER TEST)	30P : 34.00N MAX. 60P : 52.00N MAX. 40P : 40.00N MAX.
UNMATING FORCE (INITIAL / AFTER TEST)	30P : 3.0N MIN. 60P : 6.0N MAX. 40P : 4.0N MIN.
CABLE RETENTION FORCE	30P : 14.70N MIN. 60P : 29.40N MAX. 40P : 19.60N MIN.
COPLANARITY	0.10 MAX.
PRODUCT SPECIFICATION	PRS-2514
TEST REPORT	TR-18067 (RECEPTACLE:20879-0**E-01) TR-18088 (RECEPTACLE:20879-0**E-02)
PACKING STANDARD	PST-18043
INSTRUCTION MANUAL	HIM-18033
ASSEMBLY MANUAL	ASM-18003
APPEARANCE CRITERIA No.	QLS-A***

ANGLE	$\pm 2^\circ$	6 OVER 30 MAX.	$\pm 0.3$	PROJECTION 	SERIES No. R4	CUSTOMER COPY		
6 MAX.	$\pm 0.2$	30 OVER 120 MAX.	$\pm 0.5$					
GENERAL TOLERANCE.				TITLE CABLIN <sup>®</sup> -UM RECE. ASS'Y	SCALE 5:1 UNIT mm			
DWG.	DATE							
CHK.								
APP.								
				DWG. No.	20879	SIZE A3	SHEET 4/14	REV. 6

PART No.	Pos.	B	C	D	F	P	Q	R	S	T
20879-030E-01	30	13.01	11.60	9.60	12.88	15.17	12.00	15.07	19.00	12.50
20879-040E-01	40	17.01	15.60	14.40	16.88	19.17	16.00	19.07	23.00	16.50
◆20879-060E-01	60	25.01	23.60	21.60	24.88	27.17	24.00	27.07	31.00	24.50

**01 TYPE**

◆MARK MEANS NOT AVAILABLE.



01 TYPE RECOMMENDED PCB LAYOUT  
(S=10/1)

NOTES.  
1.SOLDER RESIST SHALL BE COATED IN CASE OF RUNNING TRACES ON THIS FOOT PRINT PATTERN PROHIBITION AREA.  
2.THIS AREA CANNOT MOUNT ANOTHER COMPONENTS.

**PATENT PENDING**

ANGLE	±2°	6 OVER 30 MAX.	±0.3	PROJECTION ⊕	SERIES No. R4	CUSTOMER COPY		
6 MAX.	±0.2	30 OVER 120 MAX.	±0.5					
GENERAL TOLERANCE.				TITLE CABLIN <sup>®</sup> -UM RECE. ASS'Y	SCALE 5:1	<b>I-PEX</b>		
DWG.	DATE							
CHK.								
APP.								
				DWG. No.	20879	SIZE A3	SHEET 5/14	REV. 6

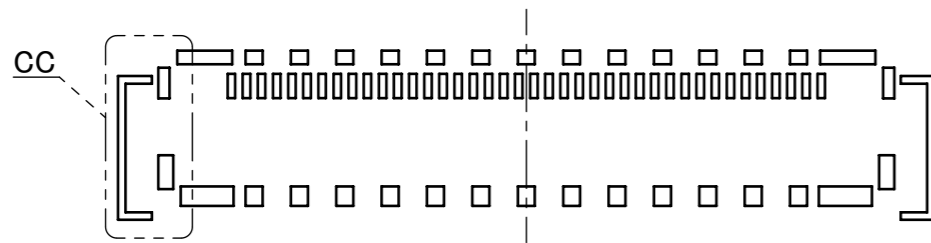
PART No.	Pos.
20879-030E-01	30
20879-040E-01	40
◆ 20879-060E-01	60

◆ MARK MEANS NOT AVAILABLE.

# PATENT PENDING

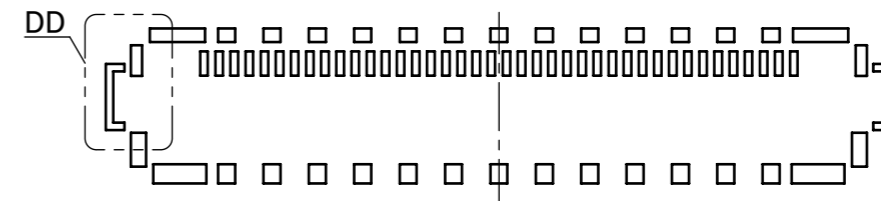
# 01 TYPE

## With LOCK COVER



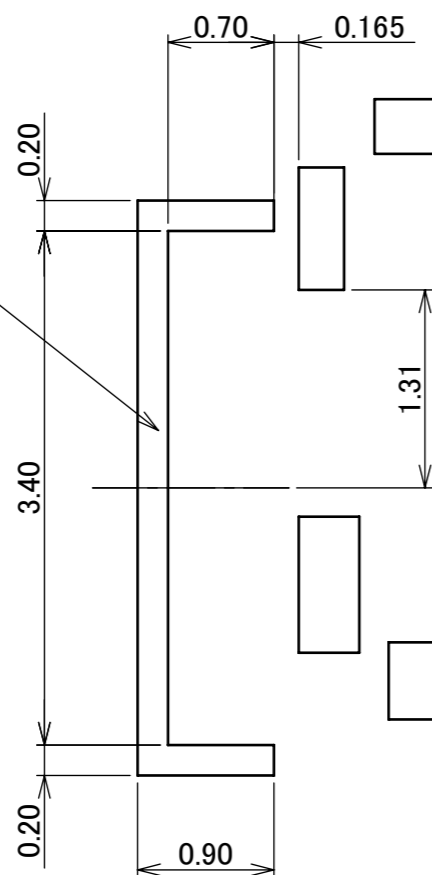
RECOMMENDED SILK PRINT For With LOCK COVER  
(S=5/1)

## Without LOCK COVER & With PULL TAPE HOLDER

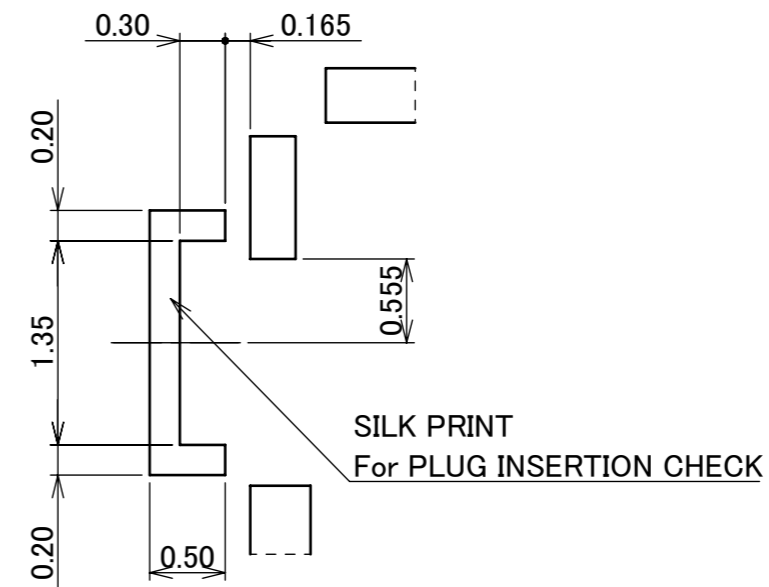


RECOMMENDED SILK PRINT For Without LOCK COVER  
(S=5/1)

SILK PRINT  
For PLUG INSERTION CHECK



DETAIL CC  
(S=20/1)



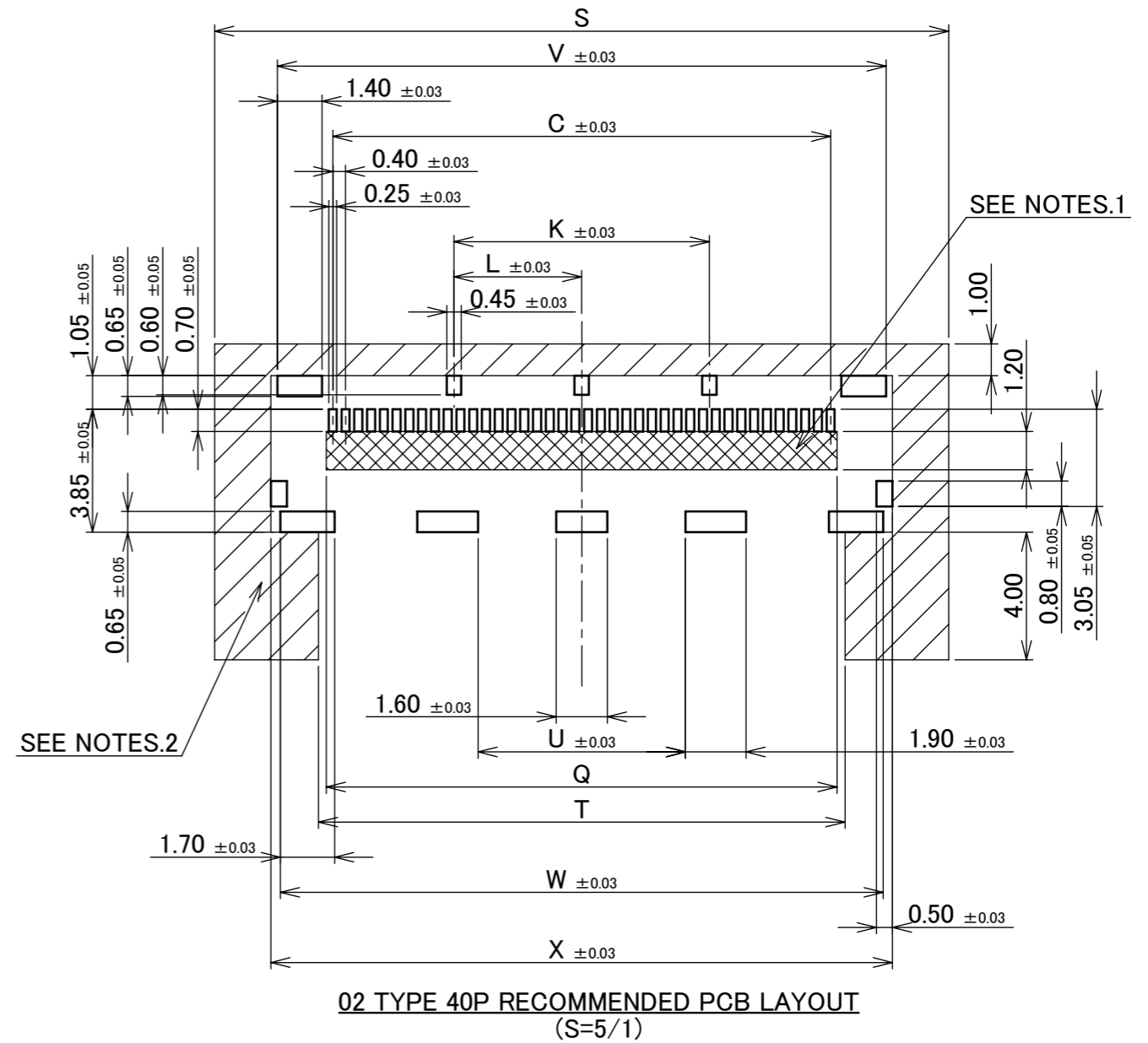
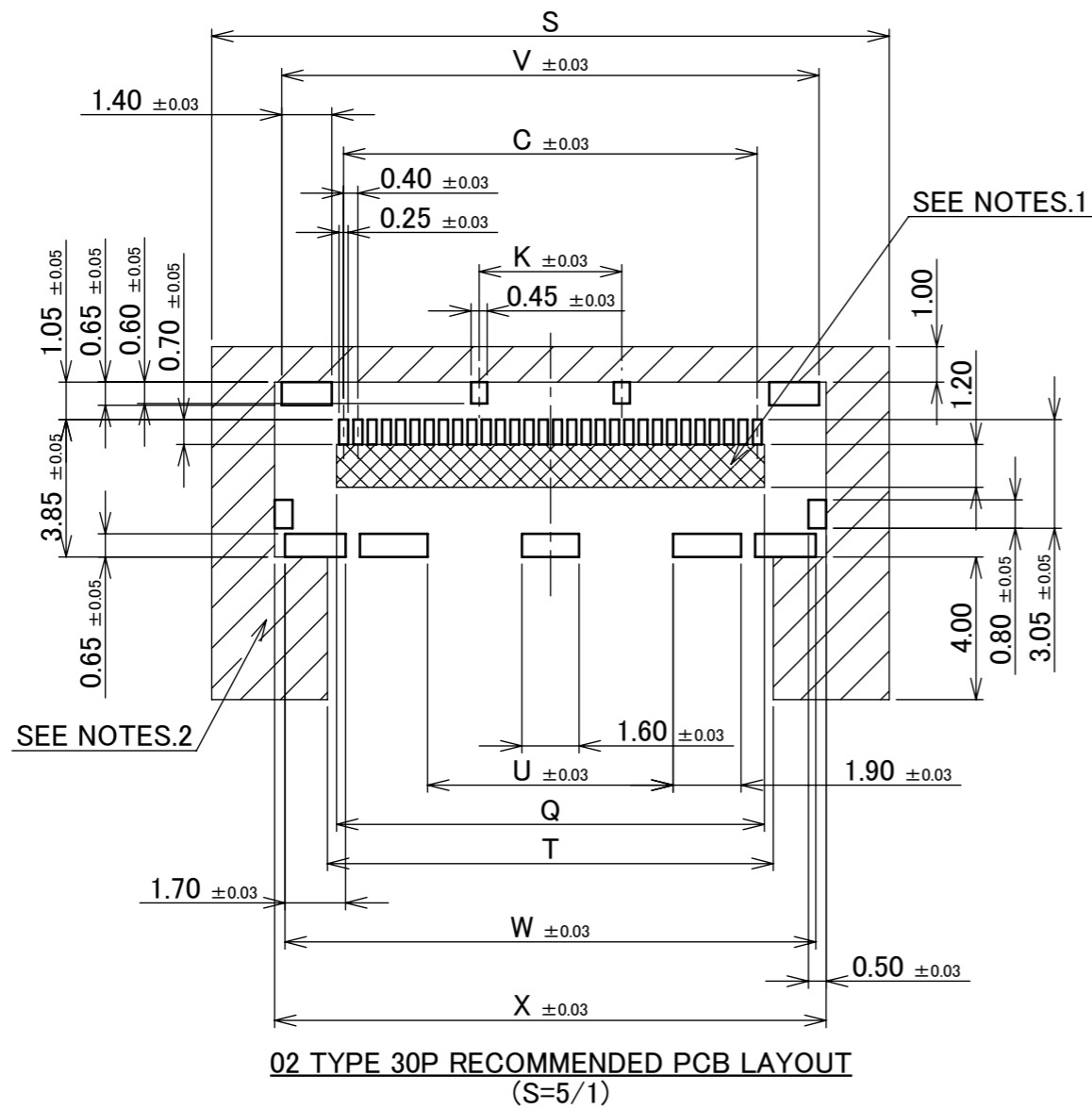
DETAIL DD  
(S=20/1)

ANGLE	±2°	6 OVER 30 MAX.	±0.3	PROJECTION ⊕	SERIES No. R4	CUSTOMER COPY			
6 MAX.	±0.2	30 OVER 120 MAX.	±0.5						
GENERAL TOLERANCE.				TITLE CABLINE® -UM RECE. ASS'Y		SCALE 5:1	I-PEX		
DWG.	DATE			DWG. No. 20879		UNIT mm			

PART No.	Pos.	C	K	L	Q	S	T	U	V	W	X
20879-030E-02	30	11.60	4.00	-	12.00	19.00	12.50	6.89	15.07	14.89	15.47
20879-040E-02	40	15.60	8.00	4.00	16.00	23.00	16.50	6.50	19.07	18.89	19.47
20879-060E-02	60	23.60	17.60	11.20	24.00	31.00	24.50	10.50	27.07	26.89	27.47

**PATENT PENDING**

**02 TYPE**



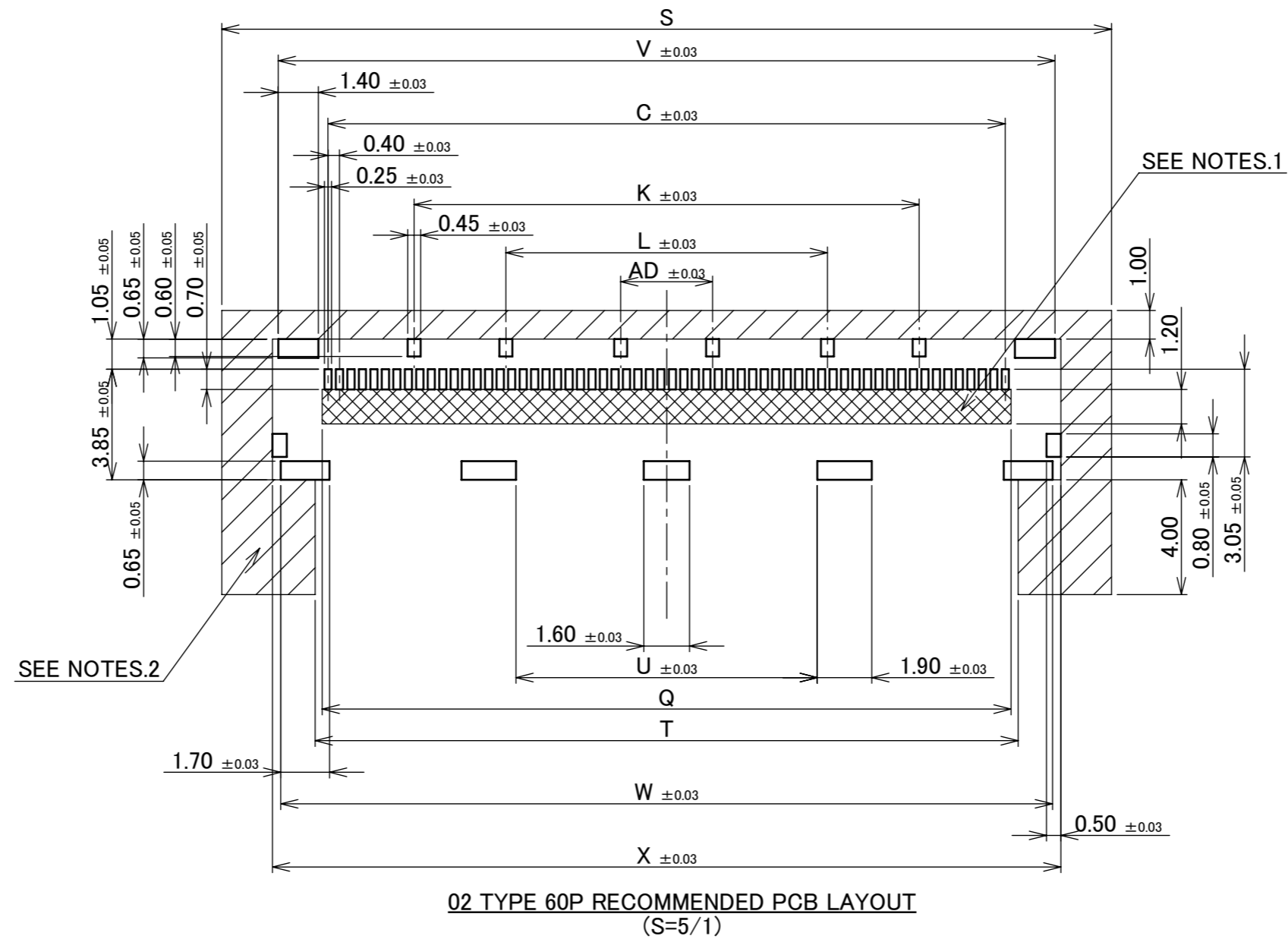
NOTES.  
 1.SOLDER RESIST SHALL BE COATED IN CASE OF RUNNING TRACES ON THIS FOOT PRINT PATTERN PROHIBITION AREA.  
 2.THIS AREA CANNOT MOUNT ANOTHER COMPONENTS.

ANGLE	±2°	6 OVER 30 MAX.	±0.3	PROJECTION	SERIES No.	CUSTOMER COPY	
	6 MAX.	±0.2	30 OVER 120 MAX.	±0.5	R4		
GENERAL TOLERANCE.				TITLE	SCALE	I-PEX	
DWG.	DATE			CABLIN <sup>®</sup> -UM RECE. ASS'Y	5:1		
CHK.					UNIT		
APP.					mm		
				DWG. No.	SIZE	SHEET	REV.
				20879	A3	7/14	6

PART No.	Pos.	C	K	L	Q	S	T	U	V	W	X	AD
20879-030E-02	30	11.60	4.00	-	12.00	19.00	12.50	6.89	15.07	14.89	15.47	-
20879-040E-02	40	15.60	8.00	4.00	16.00	23.00	16.50	6.50	19.07	18.89	19.47	-
20879-060E-02	60	23.60	17.60	11.20	24.00	31.00	24.50	10.50	27.07	26.89	27.47	3.20

**PATENT PENDING**

**02 TYPE**



- NOTES.  
 1.SOLDER RESIST SHALL BE COATED IN CASE OF RUNNING TRACES ON THIS FOOT PRINT PATTERN PROHIBITION AREA.  
 2.THIS AREA CANNOT MOUNT ANOTHER COMPONENTS.

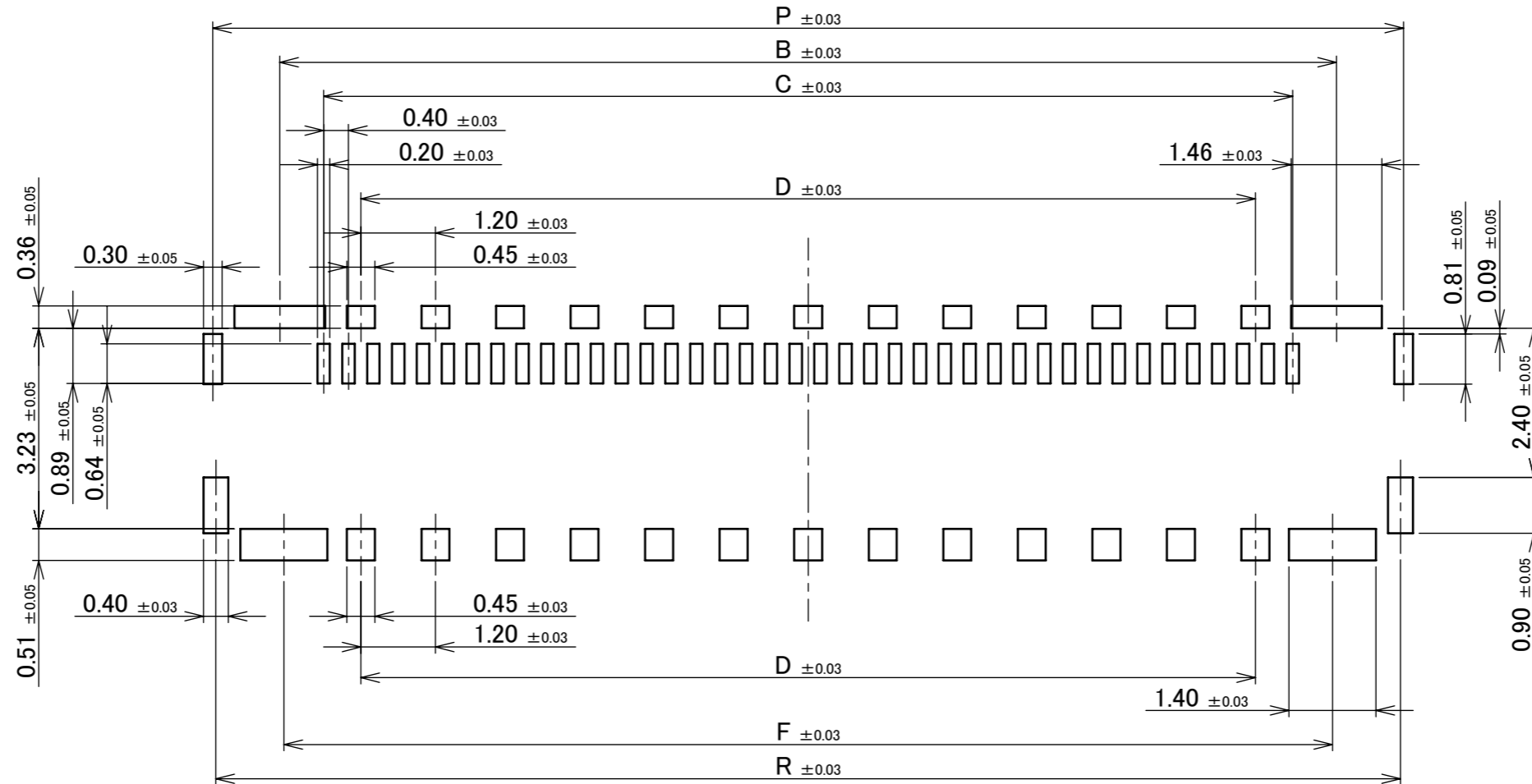
ANGLE	±2°	6 OVER 30 MAX.	±0.3	PROJECTION ⊕	SERIES No. R4	CUSTOMER COPY		
6 MAX.	±0.2	30 OVER 120 MAX.	±0.5					
GENERAL TOLERANCE.				TITLE CABLIN <sup>®</sup> -UM RECE. ASS'Y	SCALE 5:1	<b>I-PEX</b>		
DWG.	DATE							
CHK.								
APP.								
				DWG. No.	20879	SIZE A3	SHEET 8/14	REV. 6



PART No.	Pos.	B	C	D	F	P	R
20879-030E-01	30	13.01	11.60	9.60	12.88	15.17	15.07
20879-040E-01	40	17.01	15.60	14.40	16.88	19.17	19.07
◆20879-060E-01	60	25.01	23.60	21.60	24.88	27.17	27.07

◆ MARK MEANS NOT AVAILABLE.

01 TYPE



01 TYPE RECOMMENDED METAL MASK LAYOUT (S=10/1)

※ METAL MASK THICKNESS : t = 0.10

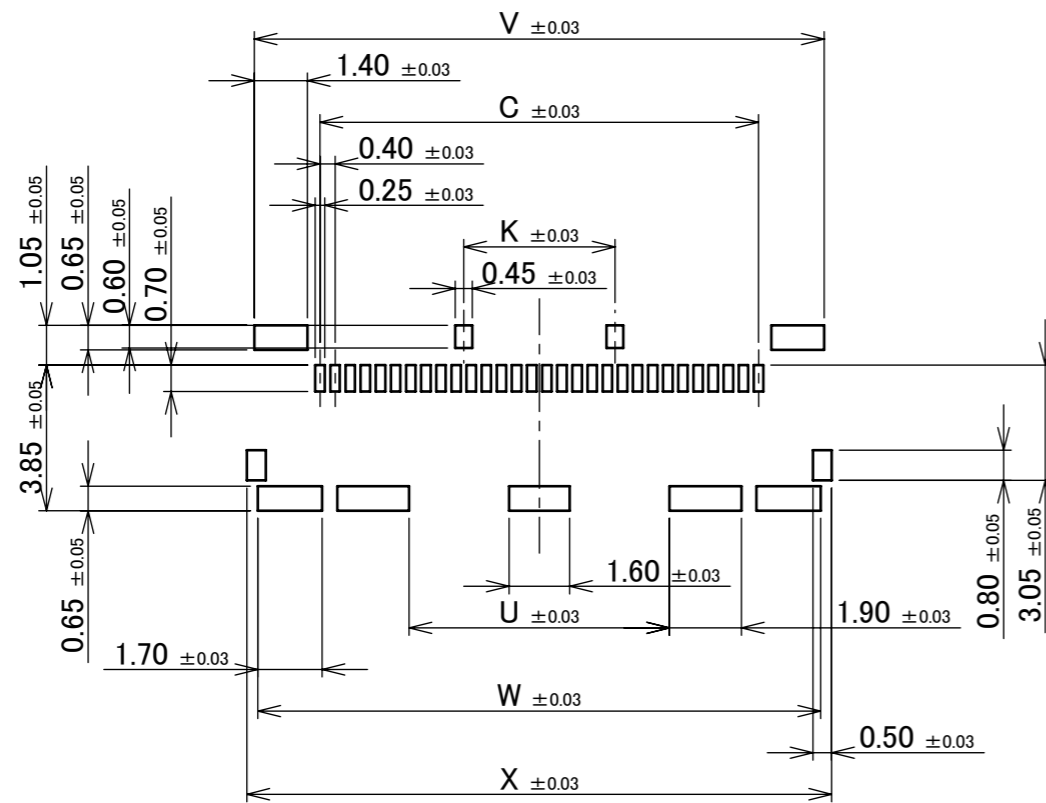
**PATENT PENDING**

ANGLE	±2°	6 OVER 30 MAX.	±0.3	PROJECTION ①	SERIES No. R4	CUSTOMER COPY	
6 MAX.	±0.2	30 OVER 120 MAX.	±0.5				
GENERAL TOLERANCE.				TITLE CABLIN <sup>®</sup> -UM RECE. ASS'Y	SCALE 5:1 UNIT mm	I-PEX	
DWG.	DATE						
CHK.							
APP.							
DWG. No.	20879			SIZE A3	SHEET 9/14	REV. 6	

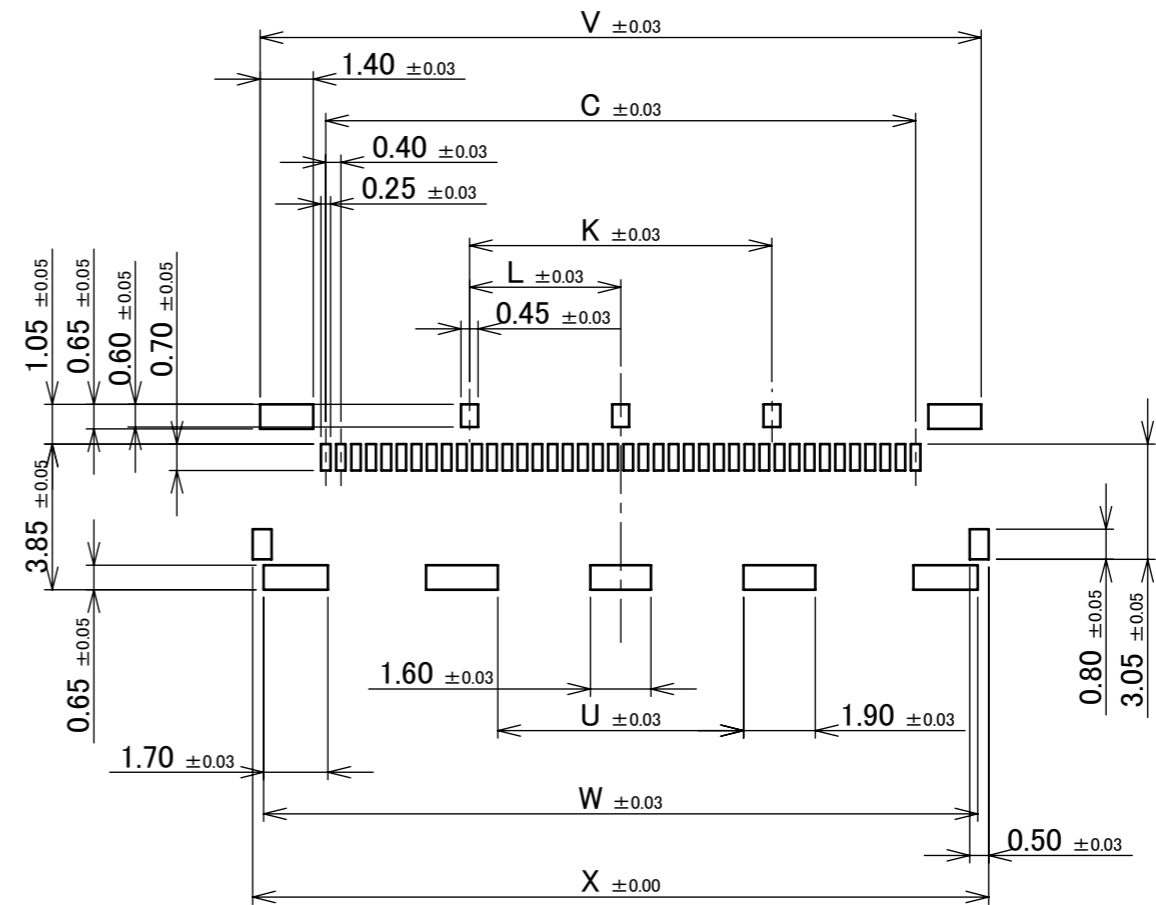
PART No.	Pos.	C	K	L	U	V	W	X
20879-030E-02	30	11.60	4.00	-	6.89	15.07	14.89	15.47
20879-040E-02	40	15.60	8.00	4.00	6.50	19.07	18.89	19.47
20879-060E-02	60	23.60	17.60	11.20	10.50	27.07	26.89	27.47

# PATENT PENDING

# 02 TYPE



02 TYPE 30P RECOMMENDED METAL MASK LAYOUT (S=5/1)  
 ※ METAL MASK THICKNESS : t = 0.12



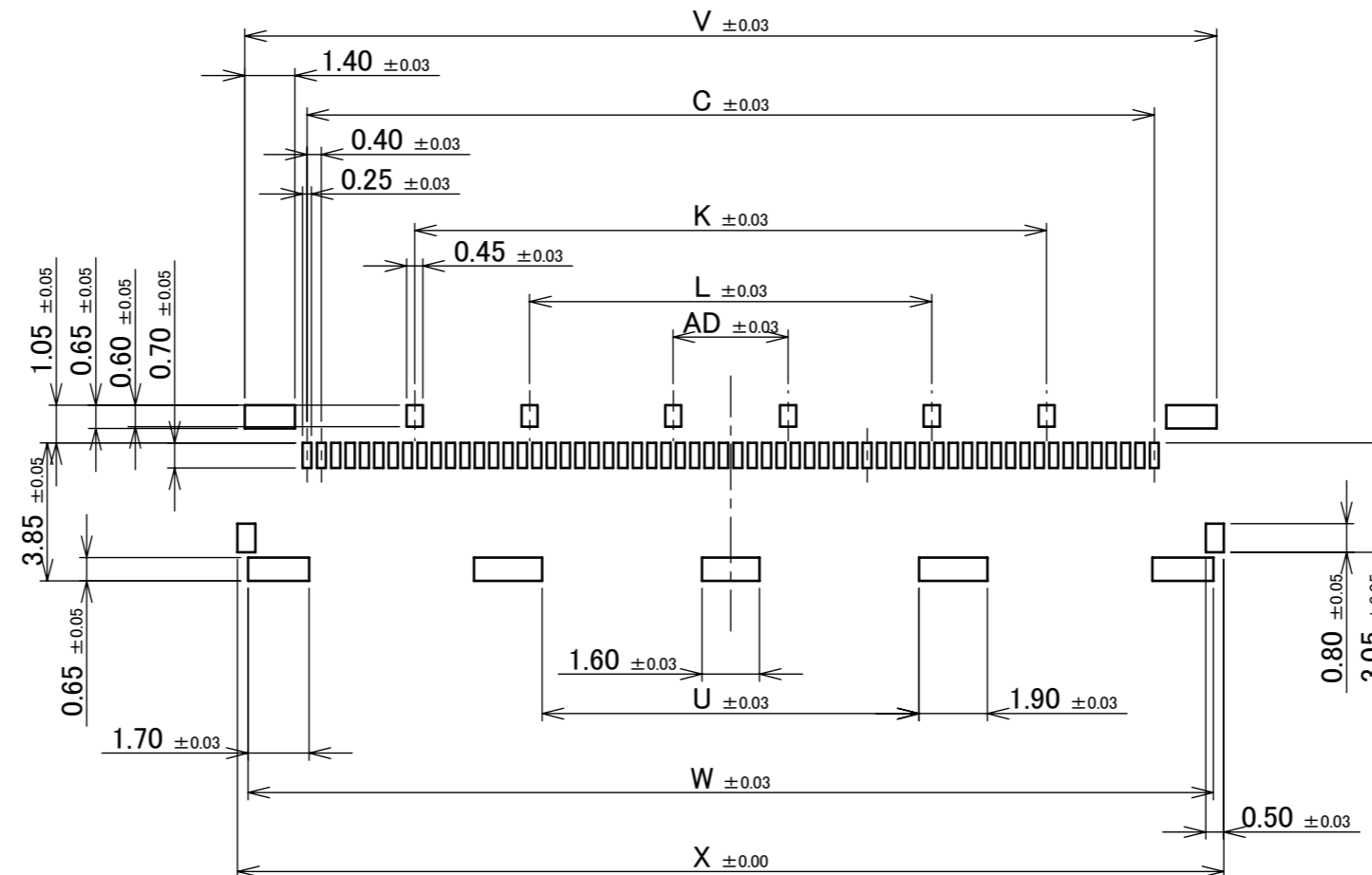
02 TYPE 40P RECOMMENDED METAL MASK LAYOUT (S=5/1)  
 ※ METAL MASK THICKNESS : t = 0.12

ANGLE	±2°	6 OVER 30 MAX.	±0.3	PROJECTION 	SERIES No. R4	CUSTOMER COPY		
	6 MAX.	±0.2	30 OVER 120 MAX.			±0.5	SCALE 5:1	<b>I-PEX</b>
GENERAL TOLERANCE.				TITLE CABLIN <sup>®</sup> -UM RECE. ASS'Y	UNIT mm			
DWG.	DATE			DWG. No.	20879	SIZE A3	SHEET 10/14	REV. 6
CHK.								
APP.								

PART No.	Pos.	C	K	L	U	V	W	X	AD
20879-030E-02	30	11.60	4.00	-	6.89	15.07	14.89	15.47	-
20879-040E-02	40	15.60	8.00	4.00	6.50	19.07	18.89	19.47	-
20879-060E-02	60	23.60	17.60	11.20	10.50	27.07	26.89	27.47	3.20

# PATENT PENDING

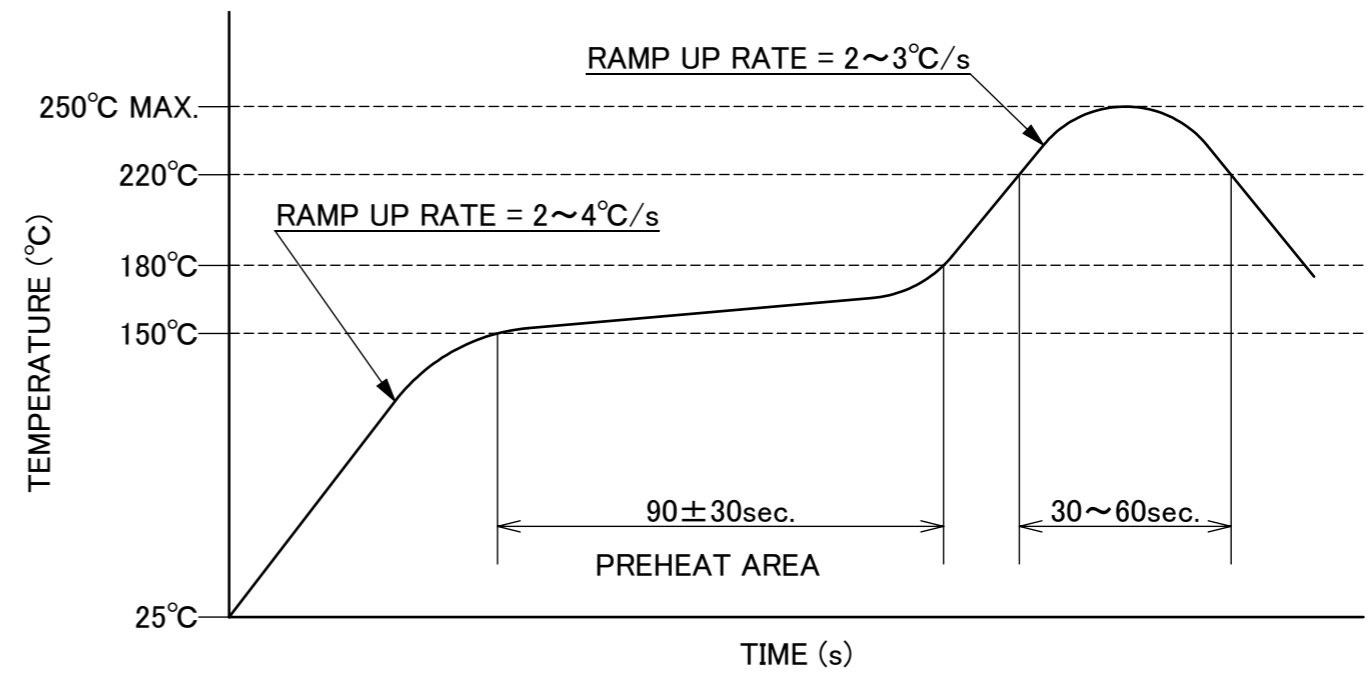
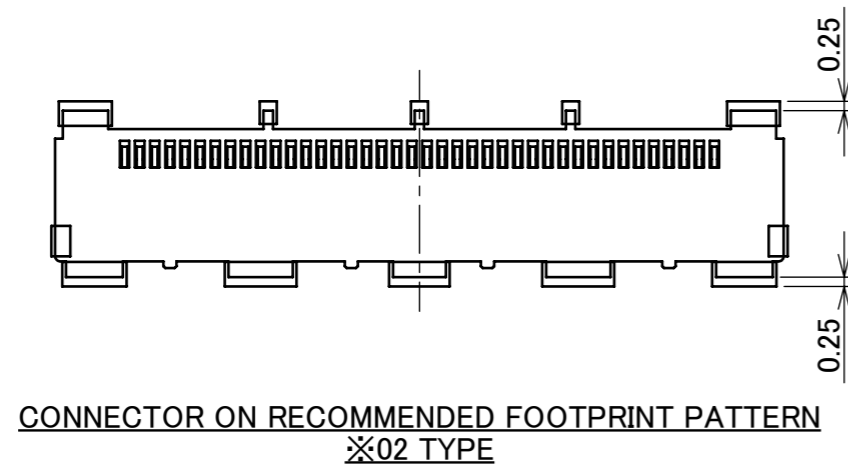
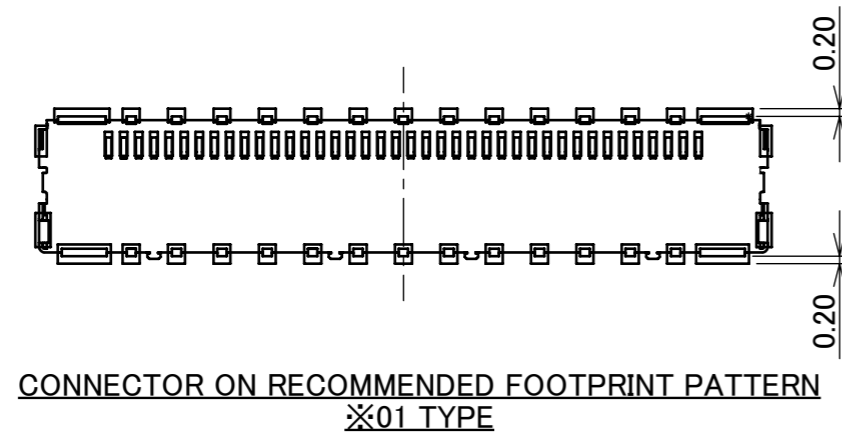
## 02 TYPE



02 TYPE 60P RECOMMENDED METAL MASK LAYOUT (S=5/1)  
 ※ METAL MASK THICKNESS : t = 0.12

ANGLE	±2°	6 OVER 30 MAX.	±0.3	PROJECTION 	SERIES No. R4	CUSTOMER COPY		
6 MAX.	±0.2	30 OVER 120 MAX.	±0.5					
GENERAL TOLERANCE.				TITLE CABLINÉ® -UM RECE. ASS'Y	SCALE 5:1	UNIT <b>I-PEX</b>		
DWG.	DATE							
CHK.								
APP.								
				DWG. No.	20879	SIZE A3	SHEET 11/14	REV. 6

# PATENT PENDING



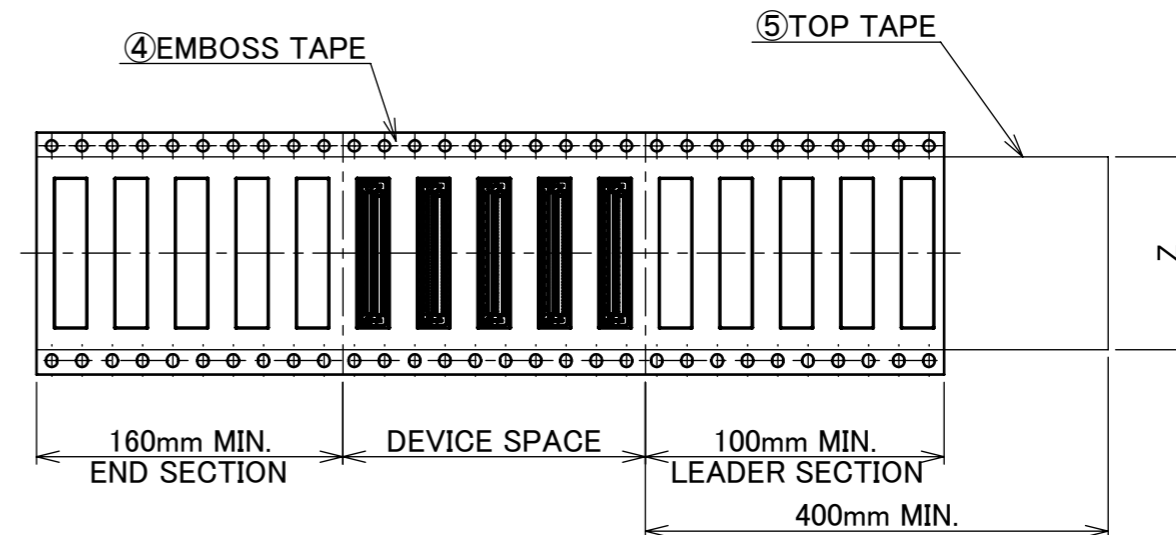
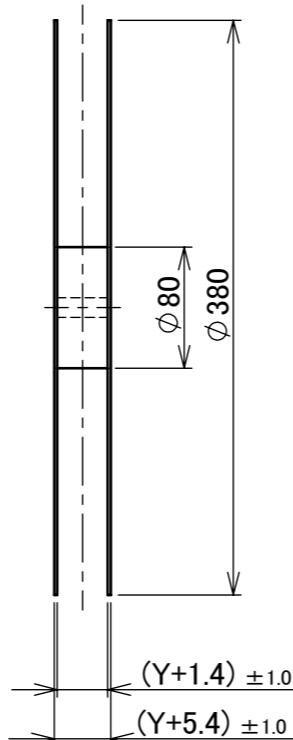
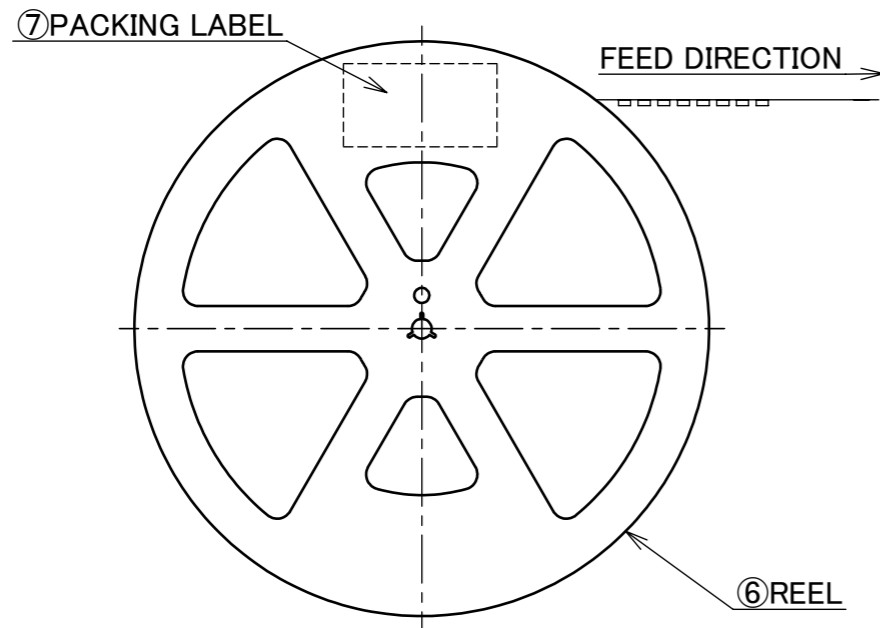
ANGLE	±2°	6 OVER 30 MAX.	±0.3	PROJECTION	SERIES No.	CUSTOMER COPY	
					R4		
				TITLE			SCALE
GENERAL TOLERANCE.				CABLINE® -UM RECE. ASS'Y			5:1
DWG.	DATE						UNIT
CHK.							mm
APP.							SIZE
				DWG. No.	20879	SHEET	REV.
					A3	12/14	6

PART NO.	Y	Z	AA	AB	AC	QTY. PER EMBOSS REEL (PIECES / REEL)	QTY. PER PACKING CARTON (REELS / CARTON)
20879-030E-01	32.00	25.50	14.20	28.40	15.67	4500 / REEL	4 / CARTON = 18000
20879-040E-01	32.00	25.50	14.20	28.40	19.67	4500 / REEL	4 / CARTON = 18000
◆20879-060E-01	44.00	37.50	20.20	40.40	27.67	4500 / REEL	3 / CARTON = 13500

**01 TYPE**

◆ MARK MEANS NOT AVAILABLE.

FEED DIRECTION →



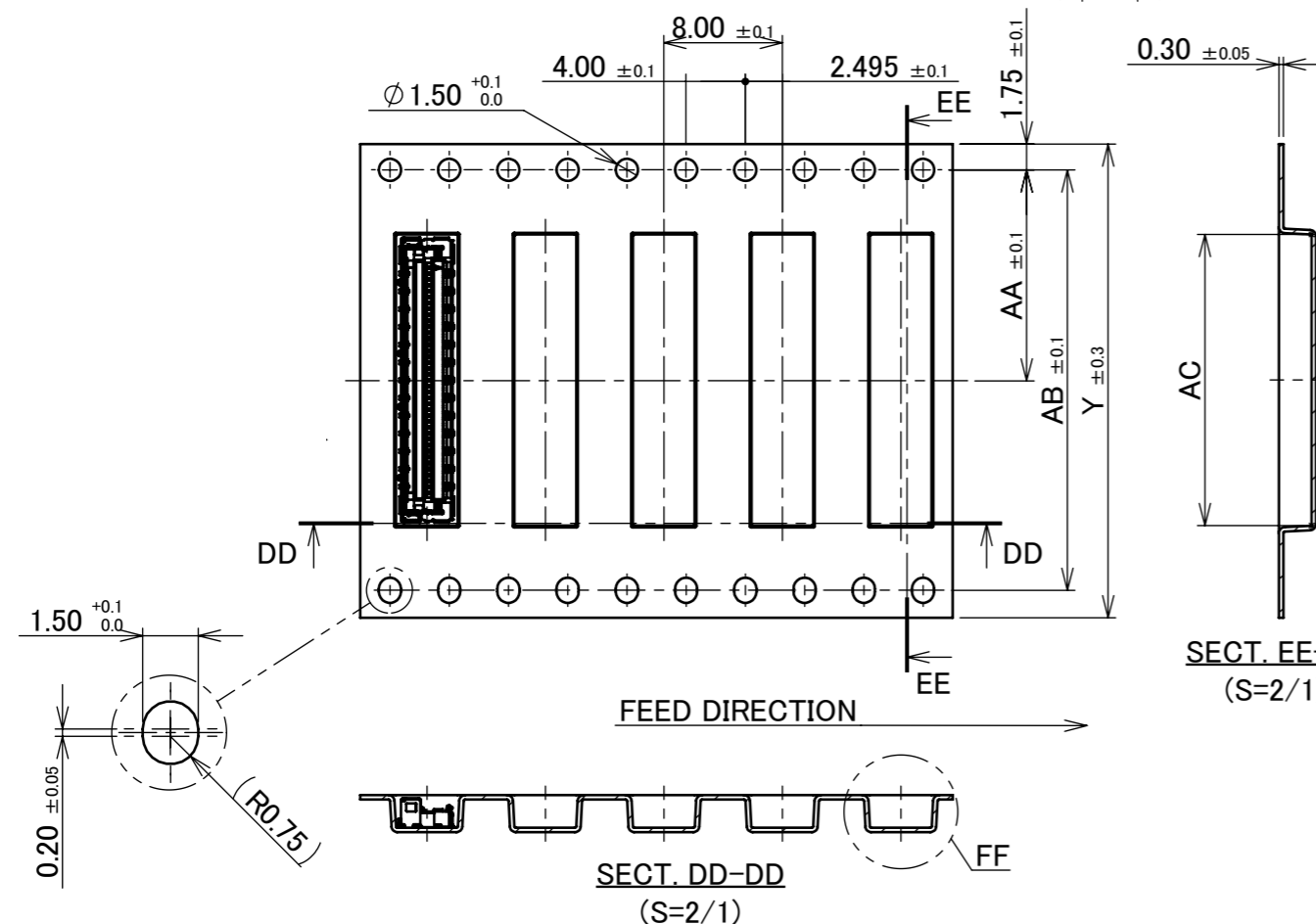
**PATENT PENDING**

NOTES.

- TAPING SPECIFICATION FOLLOWS JIS C 0806 (IEC 60286-3).
- MAKE EMPTY SECTION OF LEADER AND END ON EACH END OF THE TAPE.
- TOP TAPE SHALL NOT STICK OUT FROM EMBOSS TAPE.
- TOP TAPE SHALL NOT COVER FEED HOLE.

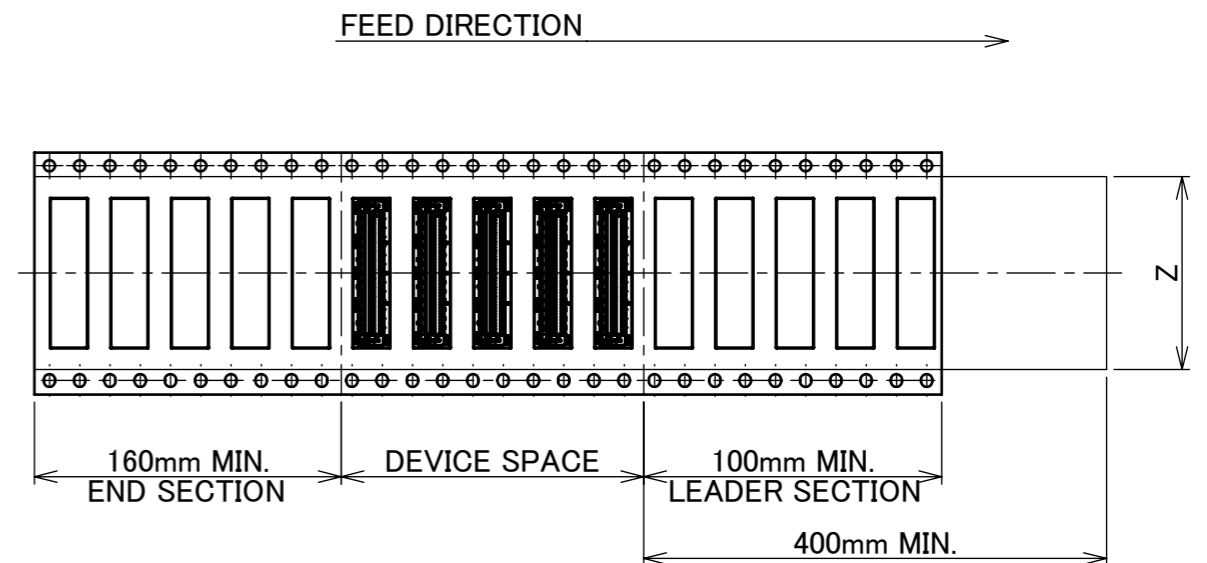
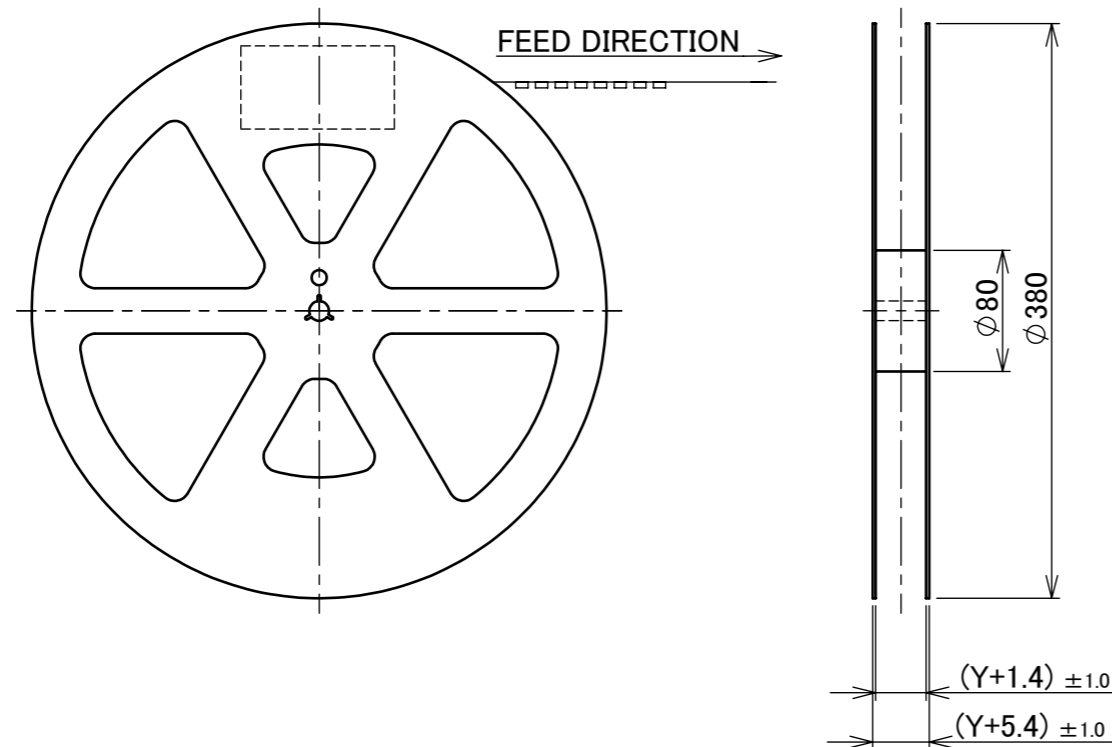
NO.	DISCRIPTION	MATERIAL	FINISH , REMARKS
7	PACKING LABEL	-	-
6	REEL	PS	ANTI-STATIC TYPE BLACK
5	TOP TAPE	PET t=0.062 TRANSPARENCY	ANTI-STATIC TYPE
4	EMBOSS TAPE	PS t=0.3 TRANSPARENCY	ANTI-STATIC TYPE

ANGLE	±2°	6 OVER 30 MAX.	±0.3	PROJECTION	SERIES No.	CUSTOMER COPY			
6 MAX.	±0.2	30 OVER 120 MAX.	±0.5		R4	SCALE	<b>I-PEX</b>		
GENERAL TOLERANCE.						TITLE			
DWG.	DATE			CABLIN® -UM RECE. ASS'Y		UNIT	mm		
CHK.				DWG. No. 20879		SIZE	SHEET	REV.	
APP.						A3	13/14	6	



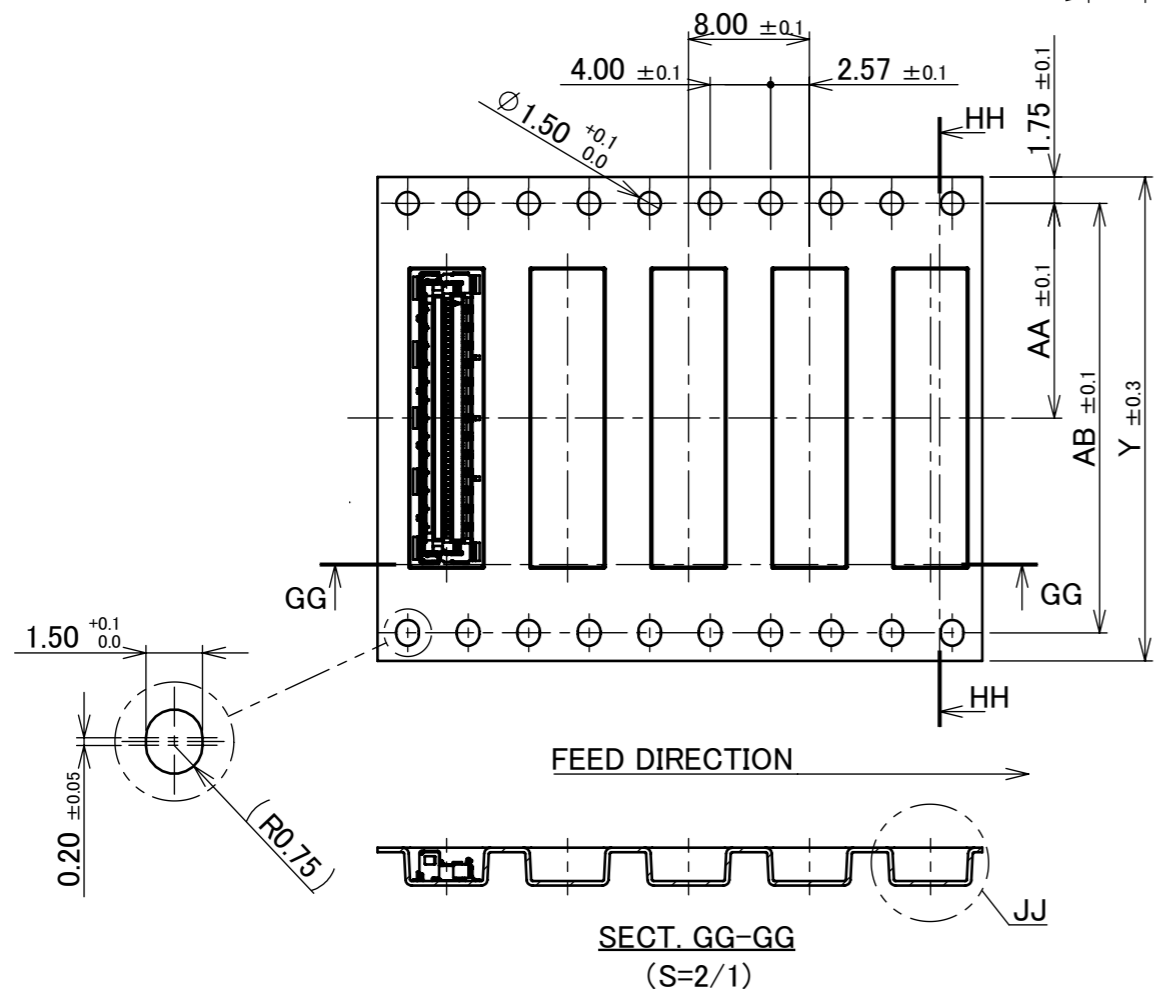
PART NO.	Y	Z	AA	AB	AC	QTY. PER EMBOSS REEL (PIECES / REEL)	QTY. PER PACKING CARTON (REELS / CARTON)
20879-030E-02	32.00	25.50	14.20	28.40	15.67	4500 / REEL	4 / CARTON = 18000
20879-040E-02	32.00	25.50	14.20	28.40	19.67	4500 / REEL	4 / CARTON = 18000
20.879-060E-02	44.00	37.50	20.20	40.40	27.67	4500 / REEL	3 / CARTON = 13500

**02 TYPE**



**PATENT PENDING**

- NOTES.
- TAPING SPECIFICATION FOLLOWS JIS C 0806 (IEC 60286-3).
  - MAKE EMPTY SECTION OF LEADER AND END ON EACH END OF THE TAPE.
  - TOP TAPE SHALL NOT STICK OUT FROM EMBOSS TAPE.
  - TOP TAPE SHALL NOT COVER FEED HOLE.



ANGLE	±2°	6 OVER 30 MAX.	±0.3	PROJECTION ⊕	SERIES No. R4	CUSTOMER COPY		
6 MAX.	±0.2	30 OVER 120 MAX.	±0.5					
GENERAL TOLERANCE.				TITLE CABLIN <sup>®</sup> -UM RECE. ASS'Y	SCALE 5:1	UNIT <b>I-PEX</b>		
DWG.	DATE							
CHK.								
APP.								
				DWG. No.	20879	SIZE A3	SHEET 14/14	REV. 6