

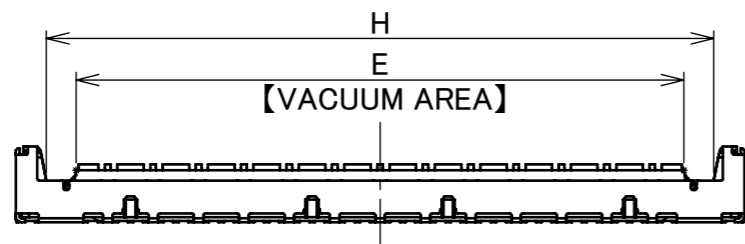
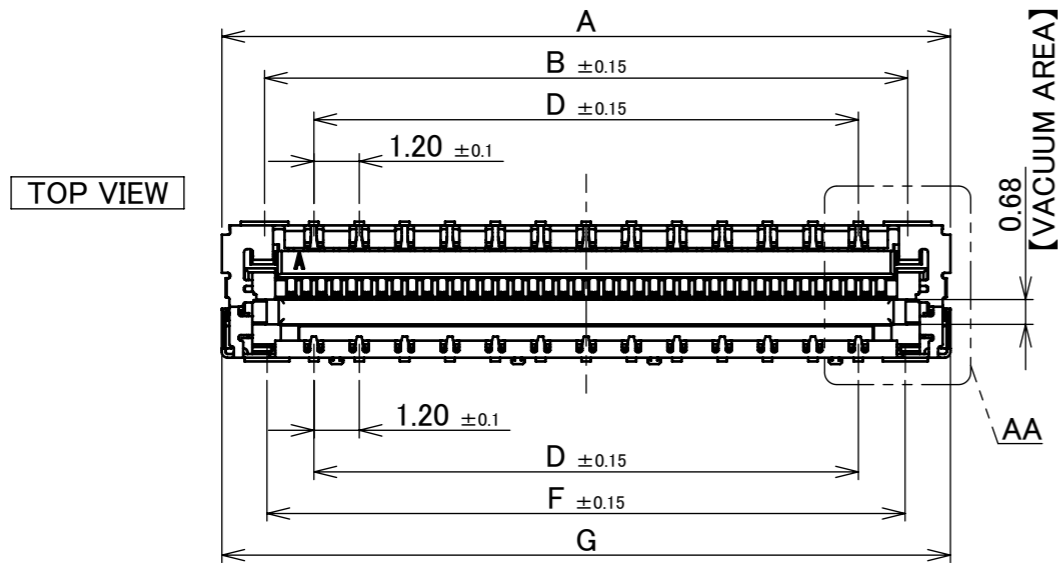
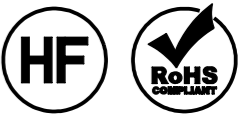
Recommended P/N 20879-0**E-01

PART NO.	Pos.	A	B	C	D	E	F	G	H
20879-030E-01	30	15.27	13.01	11.60	9.60	12.07	12.88	15.27	13.65
20879-040E-01	40	19.27	17.01	15.60	14.40	16.07	16.88	19.27	17.65

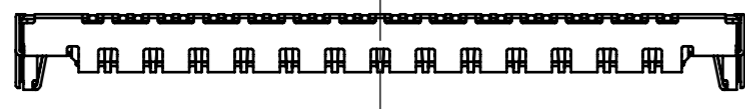
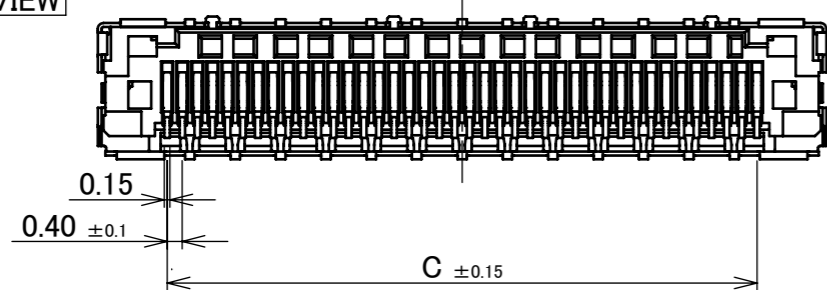
P/N : 20879-0**E-0#

1 : NARROW GROUND PIN TYPE
2 : WIDER GROUND PIN TYPE
Pos.

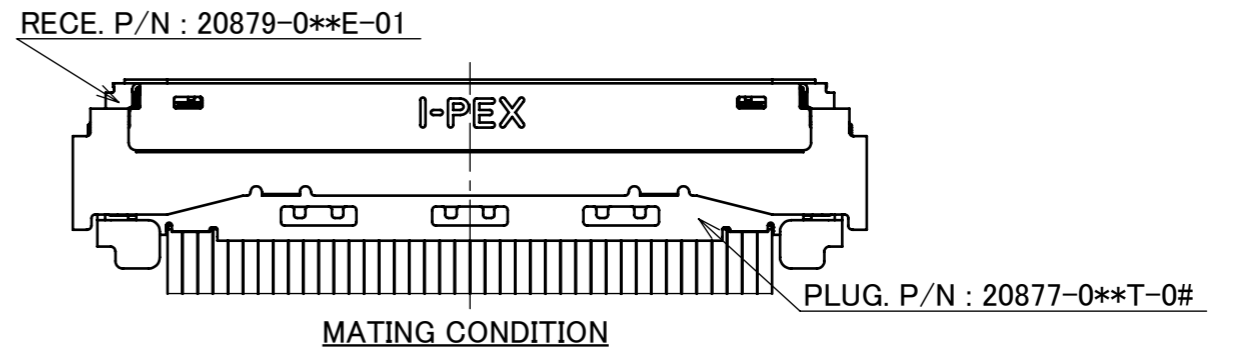
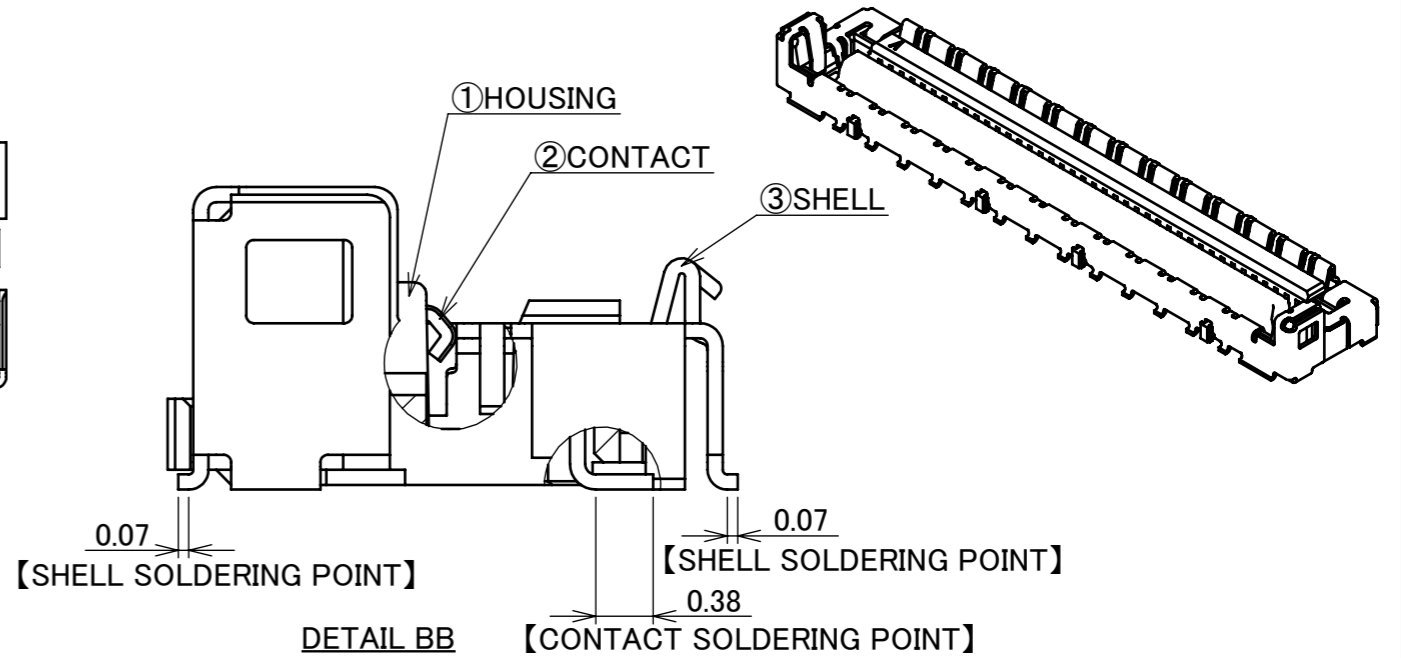
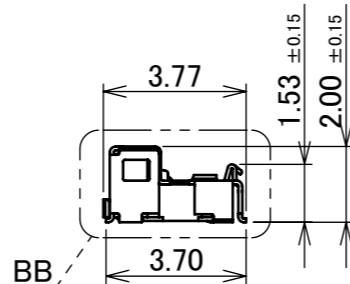
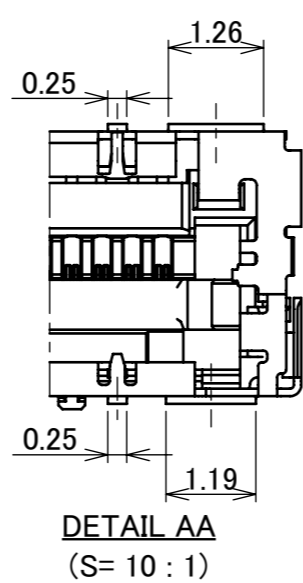
01 TYPE



BOTTOM VIEW



PATENT PENDING



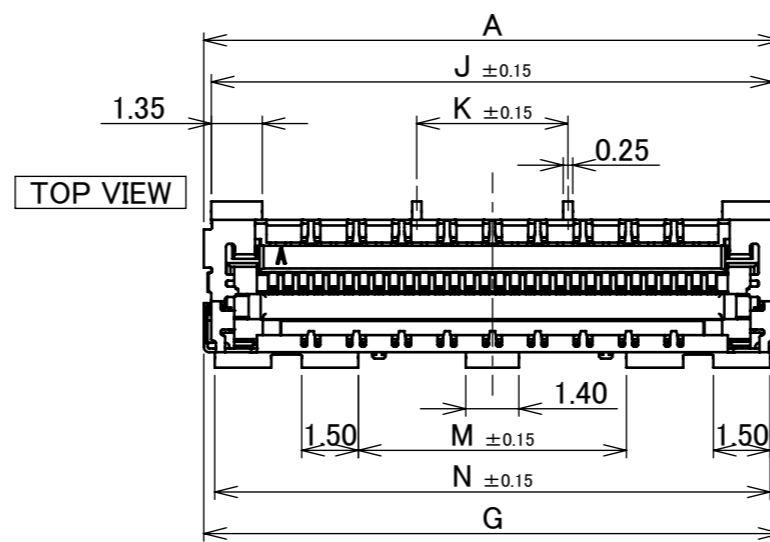
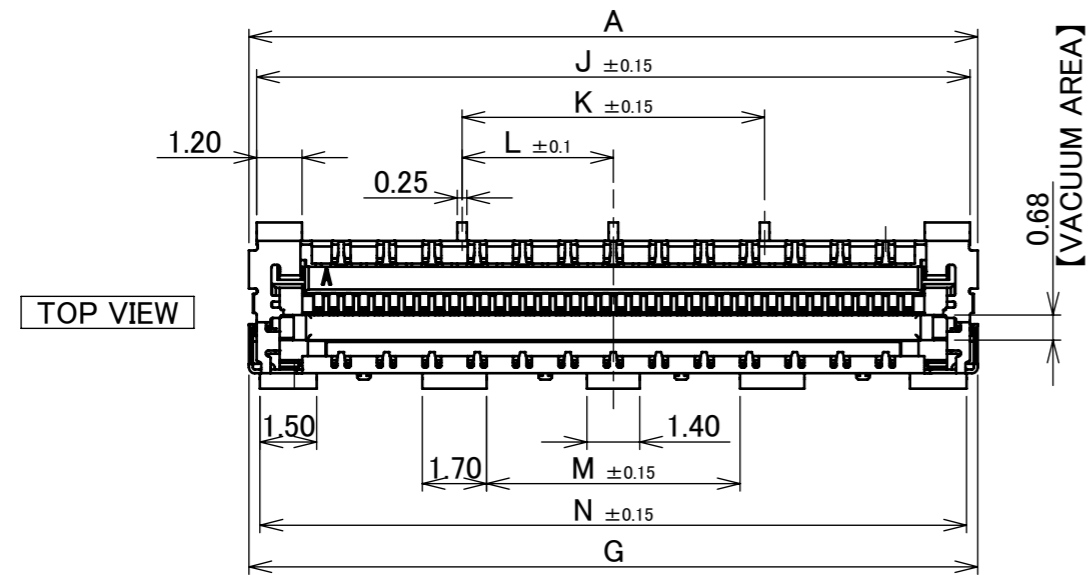
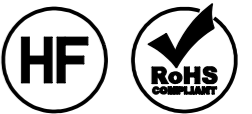
NO.	DISCRIPTION	MATERIAL	FINISH , REMARKS
3	SHELL	PHOSPHOR BRONZE	ALL OVER : Ni 1.00 μ m MIN. SOLDERING AREA : Au 0.02 μ m MIN.
2	CONACT	CORSON ALLOY	ALL OVER : Ni 1.00 μ m MIN. CONTACT & SOLDERING AREA : Au 0.03 μ m MIN.
1	HOUSING	LCP	UL94V-0, BLACK

REV.	ECN	BY	DATE	APP.	APP.	DATE	DWG. No.	SIZE	SHEET	REV.
3	Z200195	Y.Sasa	Feb./17/'20	H.I			20879	A3	1/11	3
2	Z191151	T.M	Aug./30/'19	H.I						
1	Z191003	T.M	July/30/'19	H.I						
0	Z190029	T.M	Jan./10/'19							

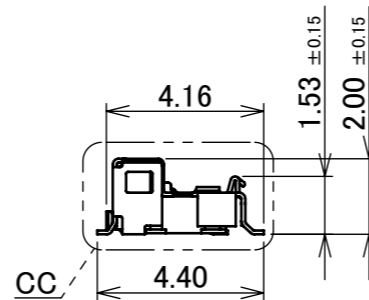
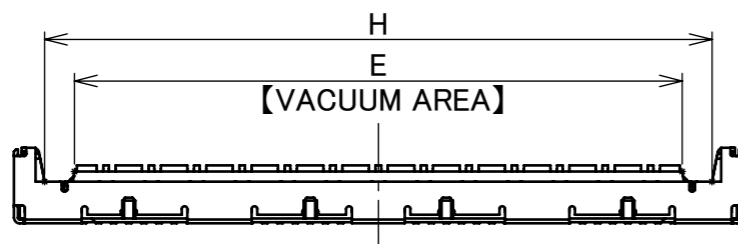
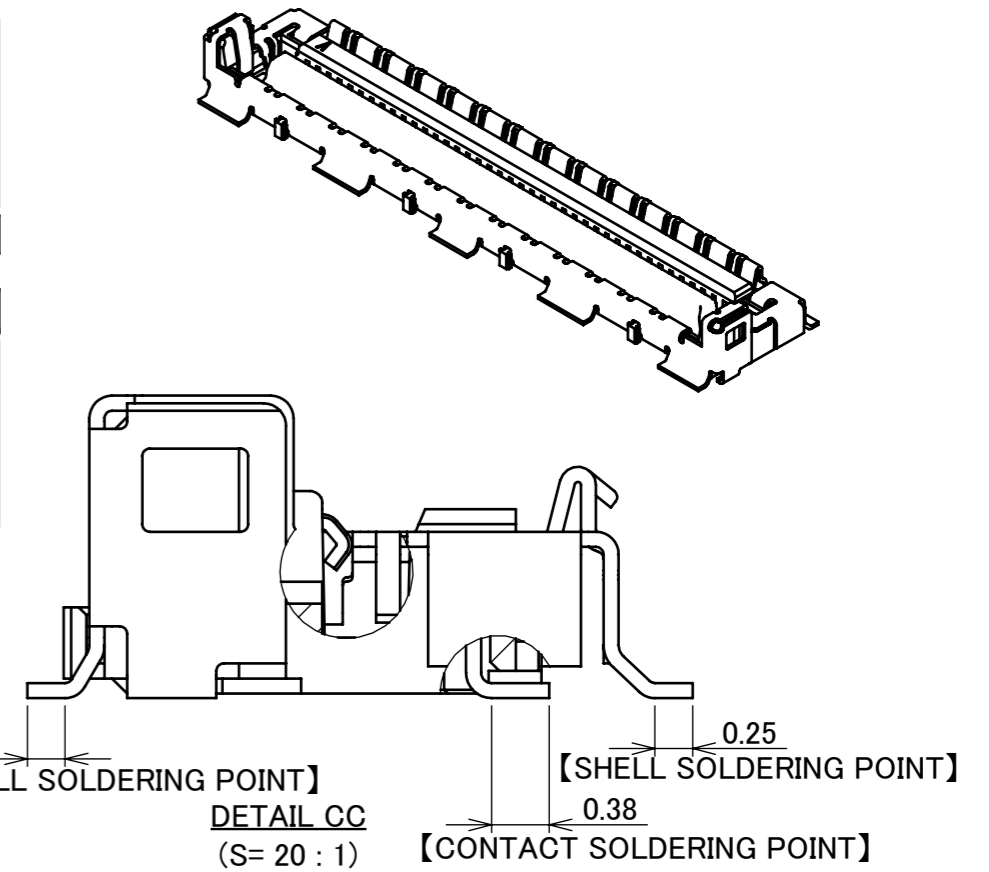
Recommended P/N 20879-0**E-01

PART NO.	Pos.	A	C	E	G	H	J	K	L	M	N
20879-030E-02	30	15.27	11.60	12.07	15.27	13.65	14.87	4.00	-	7.09	14.69
20879-040E-02	40	19.27	15.60	16.07	19.27	17.65	18.87	8.00	4.00	6.70	18.69

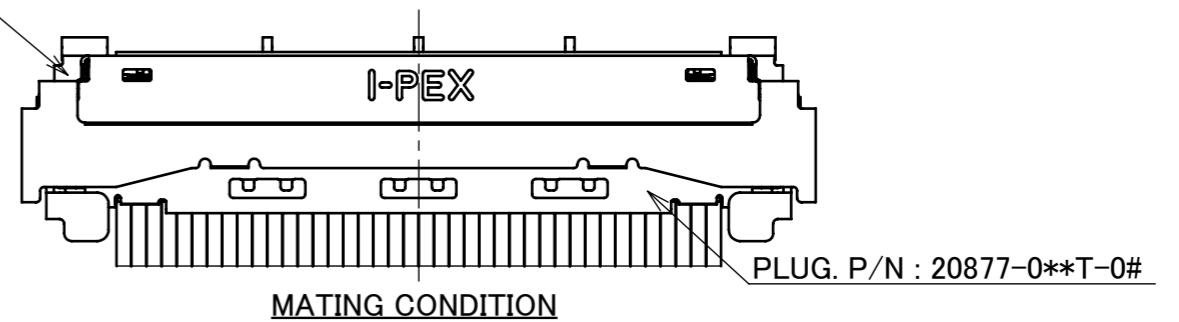
02 TYPE



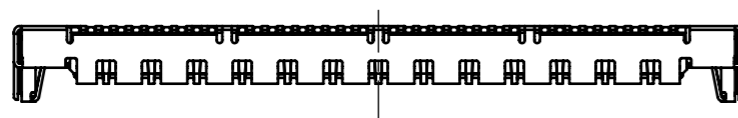
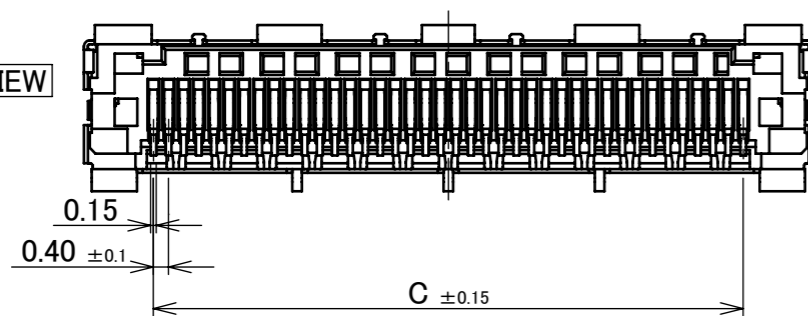
30P SHAPE
(S=5/1)



2RECE. P/N : 20879-0**E-02



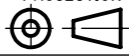
BOTTOM VIEW



PATENT PENDING

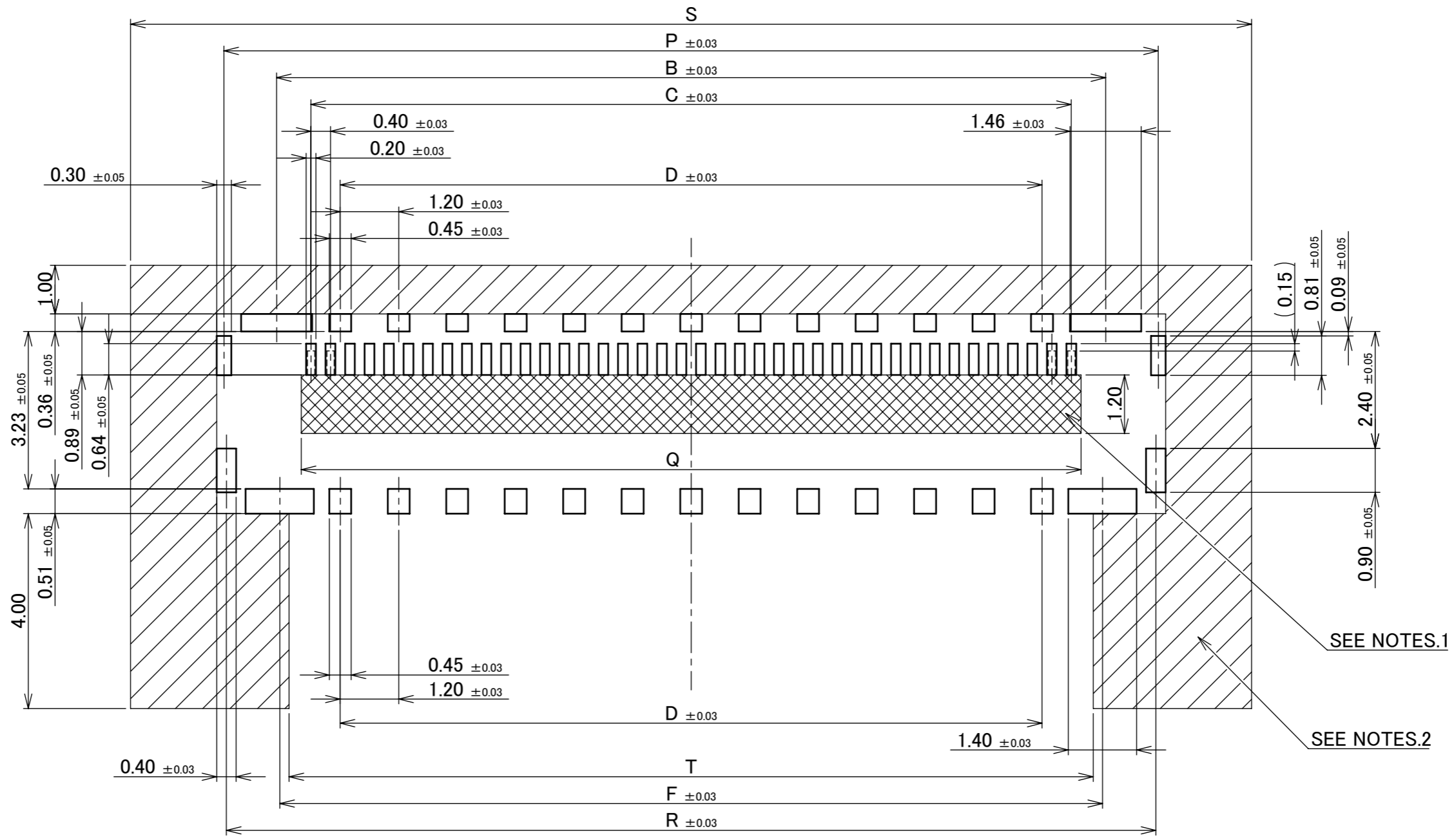
ANGLE	±2°	6 OVER 30 MAX.	±0.3	PROJECTION ⊕	SERIES No. R3	CUSTOMER COPY
	6 MAX.	±0.2	30 OVER 120 MAX.			
GENERAL TOLERANCE.				TITLE		SCALE
DWG.	DATE			CABLIN [®] -UM RECE. ASS'Y		5:1
CHK.						UNIT mm
APP.				DWG. No. 20879		SIZE A3
						SHEET 2/11
						REV. 3

ITEMS	SPECIFICATION
APPLICABLE CABLE	MICRO COAX : AWG# 44 , 42 , 40 , 38 , 36 DISCRETE : AWG# 36 , 34 TWINCOAX : AWG# 40
RATING VOLTAGE	100V AC (PER CONTACT)
RATING AMPERAGE (FOR CONTACT)	0.1A AC/DC [AWG#44] PER CONTACT 0.24A AC/DC [AWG#42] PER CONTACT 0.3A AC/DC [AWG#40] PER CONTACT 0.5A AC/DC [AWG#38] PER CONTACT 0.8A AC/DC [AWG#36] PER CONTACT 1.0A AC/DC [AWG#34] PER CONTACT ※TESTING BY A REAL MACHINE IS RECOMMENDED BECAUSE TEMPERATURE RISE MAY AFFECTED BY ACTUAL SITUATION.
OPERATING TEMPERATURE	233~358K(-40°C~+85°C)
OPERATING HUMIDITY	85% MAX.(NON-CONDENSING)
CONTACT RESISTANCE	INITIAL : 180mohm MAX.(AWG#34) / AFTER TEST : \triangle 40mohm MAX. 275mohm MAX.(AWG#36) 360mohm MAX.(AWG#38) 600mohm MAX.(AWG#40) 700mohm MAX.(AWG#42) 1080mohm MAX.(AWG#44)
GROUND SHELL RESISTANCE	INITIAL : 50mohm MAX. / AFTER TEST : \triangle 40mohm MAX.
INSULATION RESISTANCE	INITIAL : 1000Mohm MIN. / AFTER TEST : 500Mohm MIN.
DIELECTRIC WITHSTANDING VOLTAGE	AC250V 1min
DURABILITY	30 CYCLES
MATING FORCE (INITIAL / AFTER TEST)	30P : 34.00N MAX. 40P : 40.00N MAX.
UNMATING FORCE (INITIAL / AFTER TEST)	30P : 3.0N MIN. 40P : 4.0N MIN.
CABLE RETENTION FORCE	30P : 14.70N MIN. 40P : 19.60N MIN.
COPLANARITY	0.10 MAX.
PRODUCT SPECIFICATION	PRS-2514
TEST REPORT	TR-18067 (RECEPTACLE:20879-0**E-01) TR-18088 (RECEPTACLE:20879-0**E-02)
PACKING STANDARD	PST-18043
INSTRUCTION MANUAL	HIM-18033
ASSEMBLY MANUAL	ASM-18003
APPEARANCE CRITERIA No.	QLS-A***

ANGLE	$\pm 2^\circ$	6 OVER 30 MAX.	± 0.3	PROJECTION 	SERIES No. R3	CUSTOMER COPY
6 MAX.	± 0.2	30 OVER 120 MAX.	± 0.5			
GENERAL TOLERANCE.				TITLE CABLIN [®] -UM RECE. ASS'Y	SCALE 5:1	UNIT mm
DWG.	DATE					
CHK.						
APP.						
				DWG. No.	20879	SIZE A3
				SHEET 3/11		REV. 3

PART No.	Pos.	B	C	D	F	P	Q	R	S	T
20879-030E-01	30	13.01	11.60	9.60	12.88	15.17	12.00	15.07	19.00	12.50
20879-040E-01	40	17.01	15.60	14.40	16.88	19.17	16.00	19.07	23.00	16.50

01 TYPE



01 TYPE RECOMMENDED PCB LAYOUT
(S=10/1)

NOTES.
1. SOLDER RESIST SHALL BE COATED IN CASE OF RUNNING TRACES ON THIS FOOT PRINT PATTERN PROHIBITION AREA.
2. THIS AREA CANNOT MOUNT ANOTHER COMPONENTS.

PATENT PENDING

ANGLE	±2°	6 OVER 30 MAX.	±0.3	PROJECTION ⊕	SERIES No. R3	CUSTOMER COPY
6 MAX.	±0.2	30 OVER 120 MAX.	±0.5			
GENERAL TOLERANCE.				TITLE	SCALE	I-PEX
DWG.	DATE			CABLIN [®] -UM RECE. ASS'Y	5:1	
CHK.					UNIT mm	
APP.				DWG. No. 20879	SIZE A3	
					SHEET 4/11	REV. 3

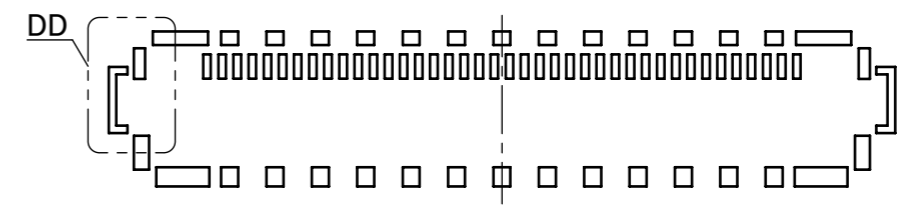
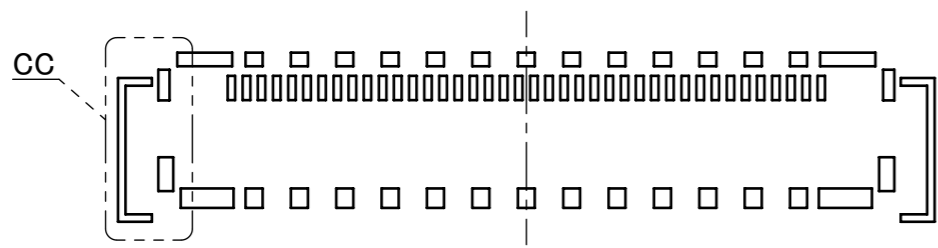
PART No.	Pos.
20879-030E-01	30
20879-040E-01	40

PATENT PENDING

01 TYPE

With LOCK COVER

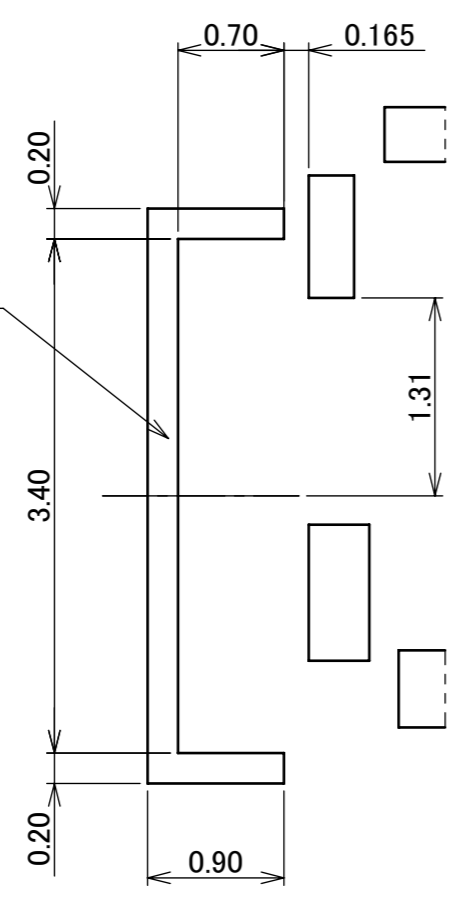
Without LOCK COVER & With PULL TAPE HOLDER



RECOMMENDED SILK PRINT For With LOCK COVER
(S=5/1)

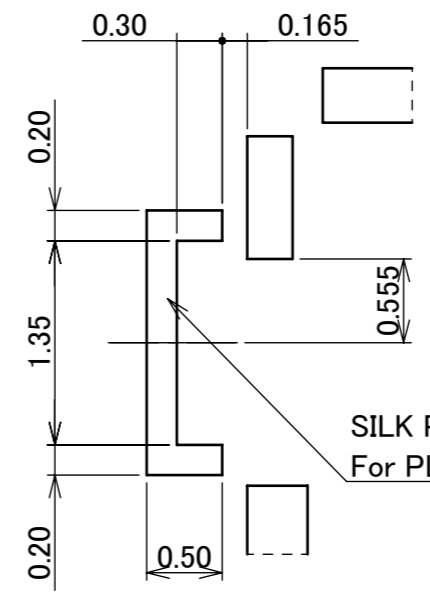
RECOMMENDED SILK PRINT For Without LOCK COVER
(S=5/1)

SILK PRINT
For PLUG INSERTION CHECK



DETAIL CC
(S=20/1)

SILK PRINT
For PLUG INSERTION CHECK

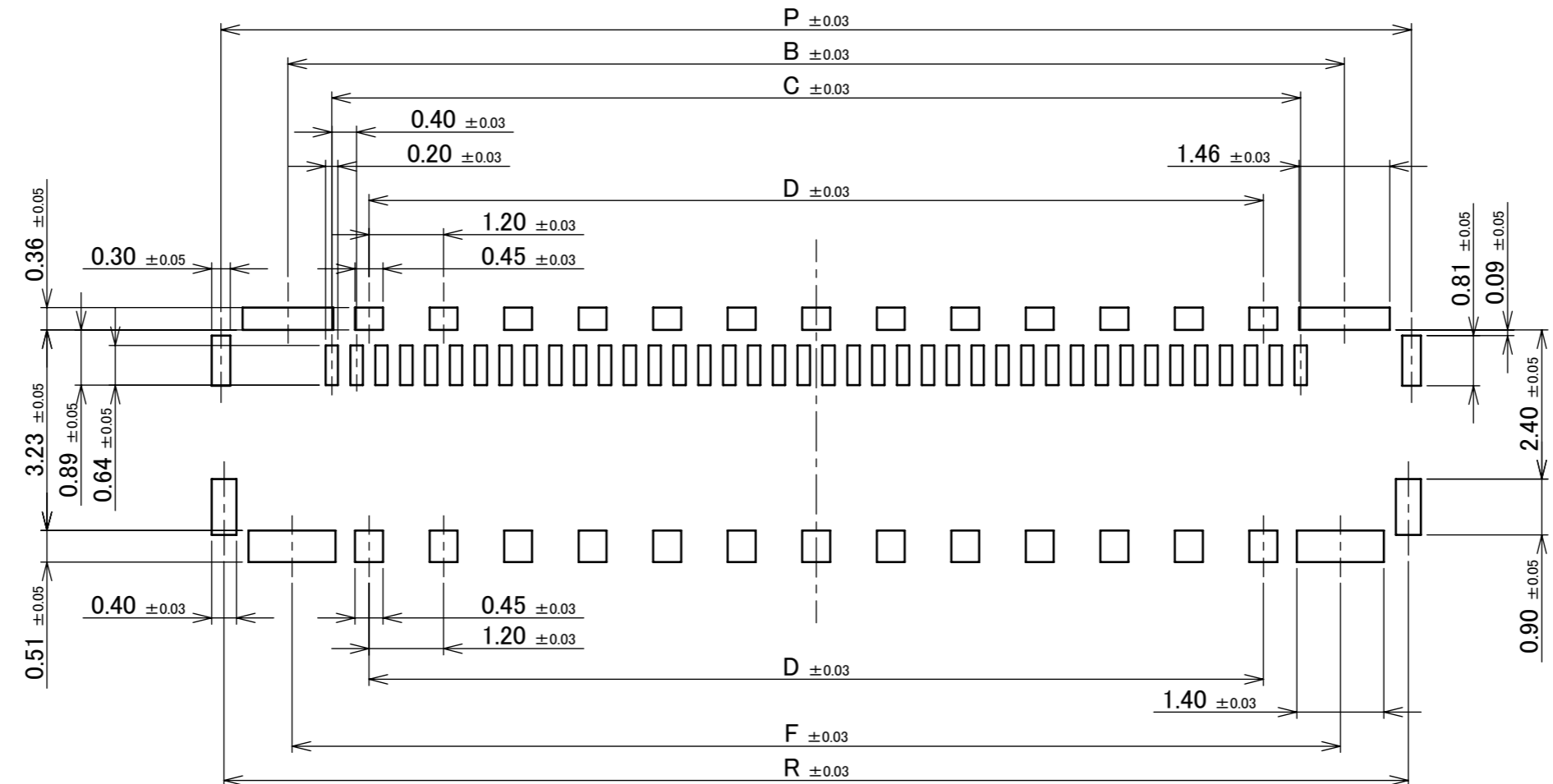


DETAIL DD
(S=20/1)

ANGLE	±2°	6 OVER 30 MAX.	±0.3	PROJECTION ⊕	SERIES No. R3	CUSTOMER COPY		
6 MAX.	±0.2	30 OVER 120 MAX.	±0.5					
GENERAL TOLERANCE.				TITLE CABLIN [®] -UM RECE. ASS'Y	SCALE 5:1	I-PEX		
DWG.	DATE							UNIT mm
CHK.								SIZE A3
APP.								DWG. No. 20879

PART No.	Pos.	B	C	D	F	P	R
20879-030E-01	30	13.01	11.60	9.60	12.88	15.17	15.07
20879-040E-01	40	17.01	15.60	14.40	16.88	19.17	19.07

01 TYPE



01 TYPE RECOMMENDED METAL MASK LAYOUT (S=10/1)
 ※ METAL MASK THICKNESS : t = 0.10

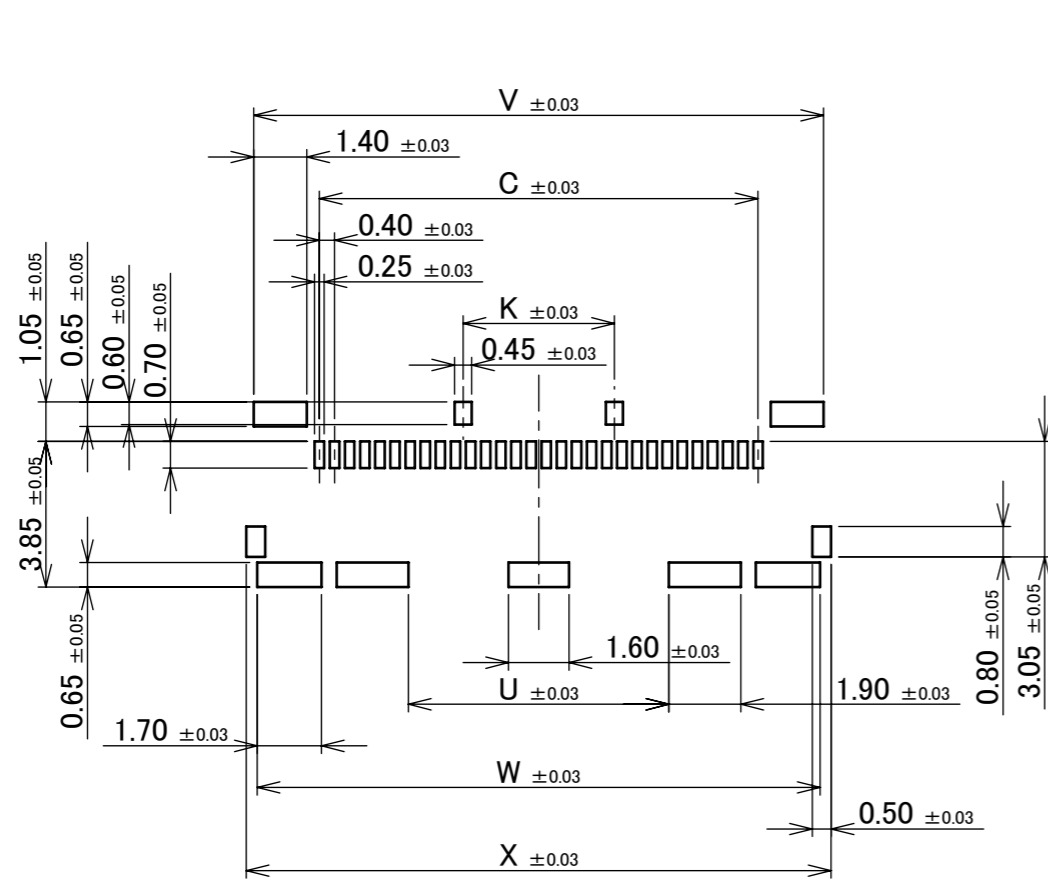
PATENT PENDING

ANGLE	±2°	6 OVER 30 MAX.	±0.3	PROJECTION 	SERIES No. R3	CUSTOMER COPY
	6 MAX.	±0.2	30 OVER 120 MAX.			
GENERAL TOLERANCE.				TITLE	SCALE	
DWG.	DATE		CABLIN [®] -UM RECE. ASS'Y	5:1		
CHK.				UNIT	mm	
APP.				DWG. No.	20879	
				SIZE	A3	SHEET 7/11
						REV. 3

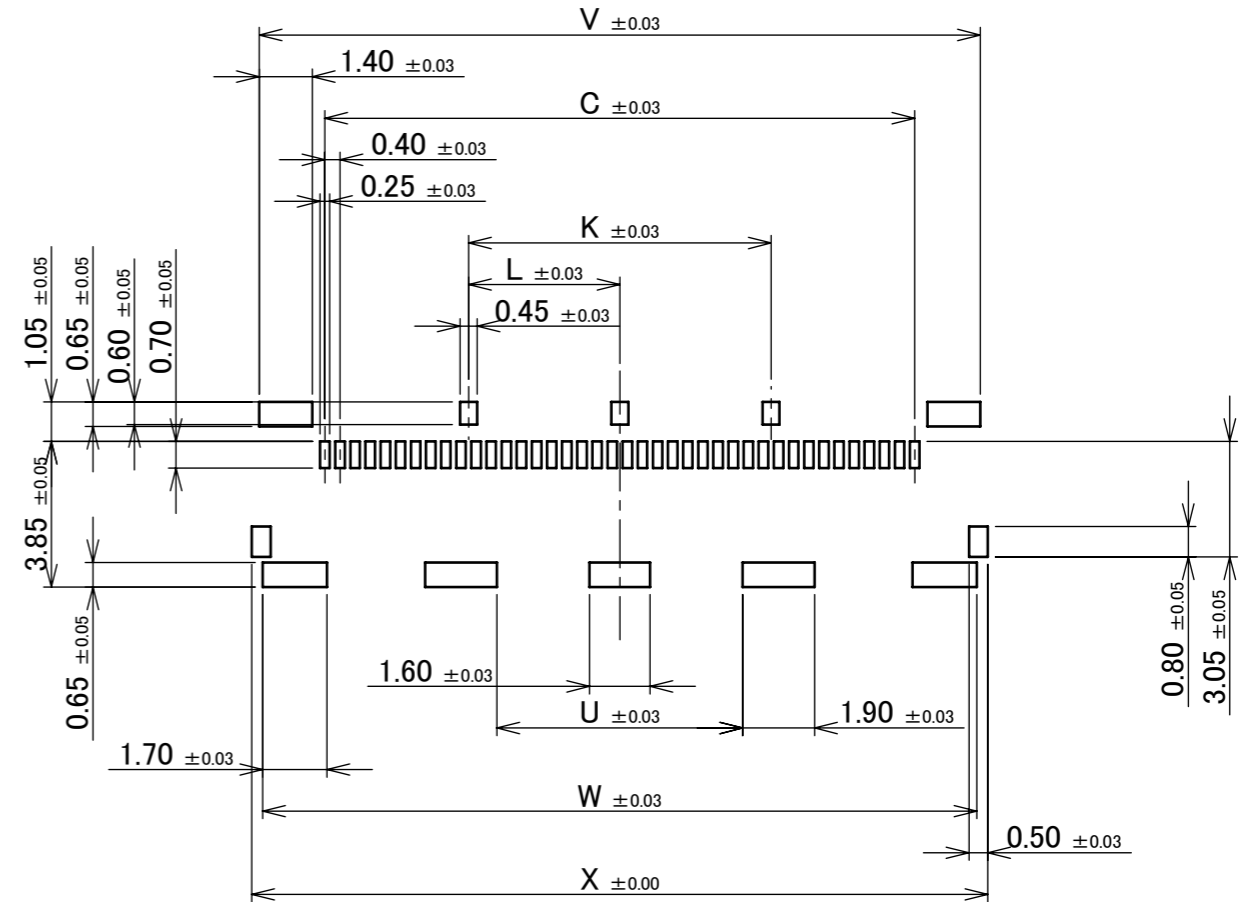
PART No.	Pos.	C	K	L	U	V	W	X
20879-030E-02	30	11.60	4.00	-	6.89	15.07	14.89	15.47
20879-040E-02	40	15.60	8.00	4.00	6.50	19.07	18.89	19.47

PATENT PENDING

02 TYPE



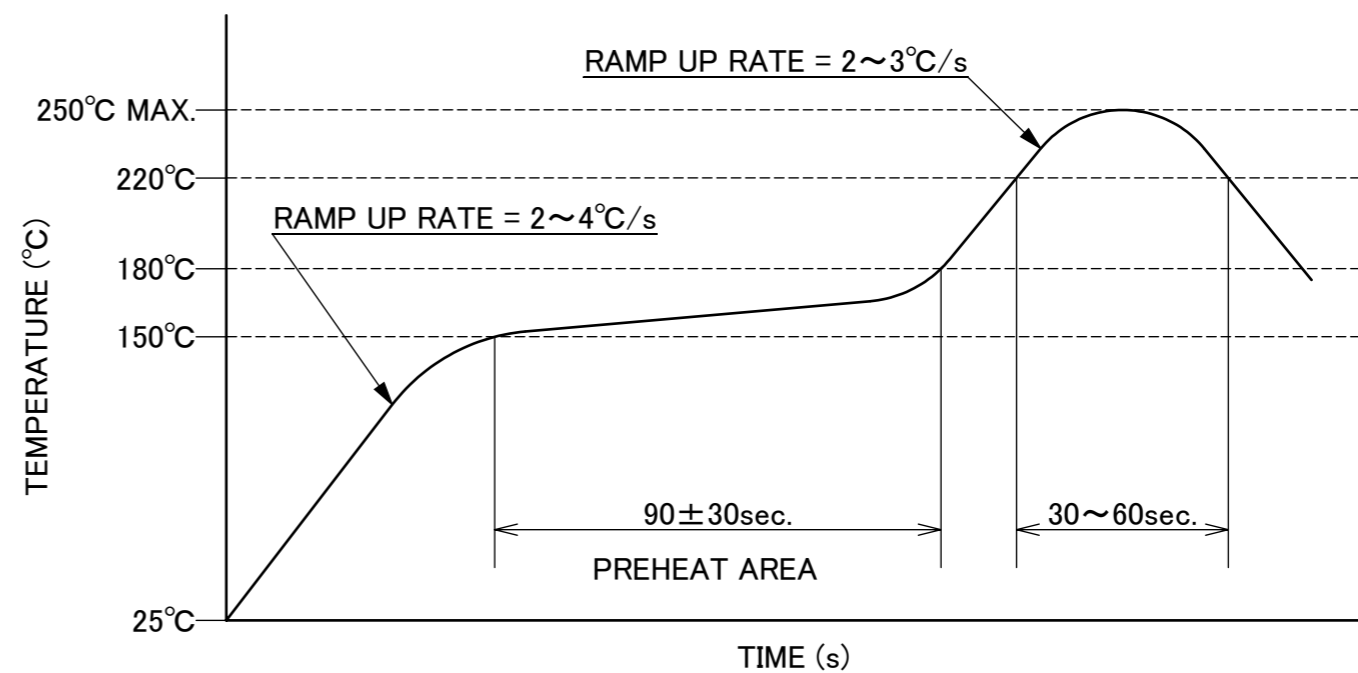
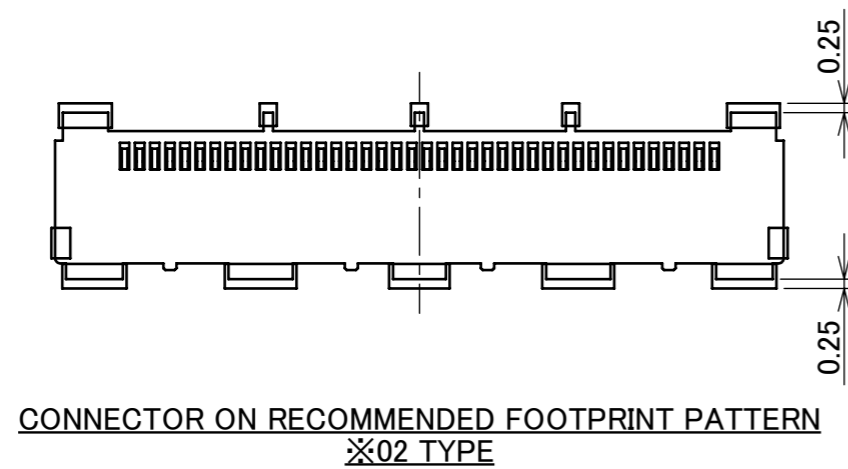
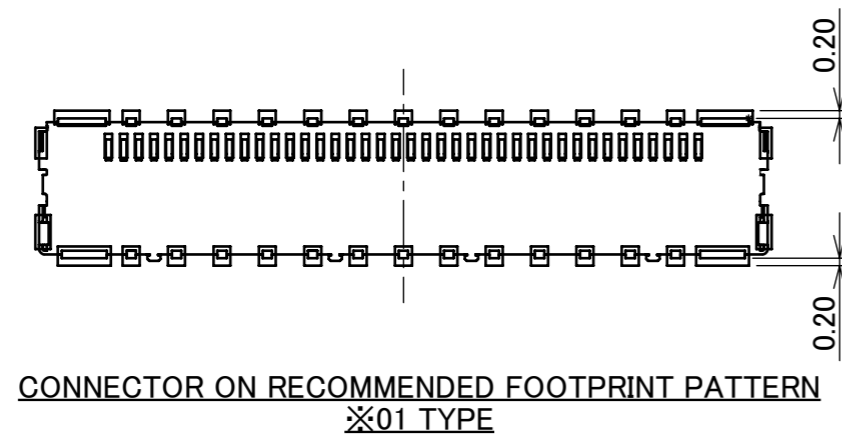
02 TYPE RECOMMENDED METAL MASK LAYOUT (S=5/1)
 ※ METAL MASK THICKNESS : t = 0.12



02 TYPE RECOMMENDED METAL MASK LAYOUT (S=5/1)
 ※ METAL MASK THICKNESS : t = 0.12

ANGLE	±2°	6 OVER 30 MAX.	±0.3	PROJECTION 	SERIES No. R3	CUSTOMER COPY
	6 MAX.	±0.2	30 OVER 120 MAX.			
GENERAL TOLERANCE.				TITLE CABLINÉ® -UM RECE. ASS'Y	SCALE 5:1	UNIT mm
DWG.	DATE					
CHK.						
APP.						
				DWG. No.	20879	SIZE A3
				SHEET 8/11		REV. 3

PATENT PENDING

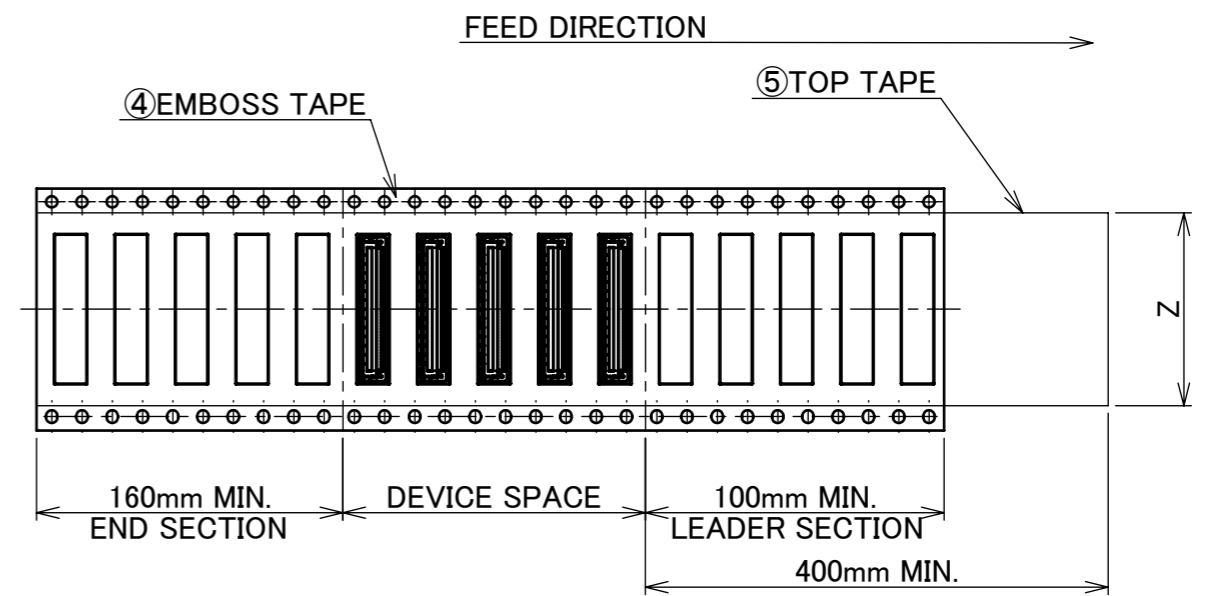
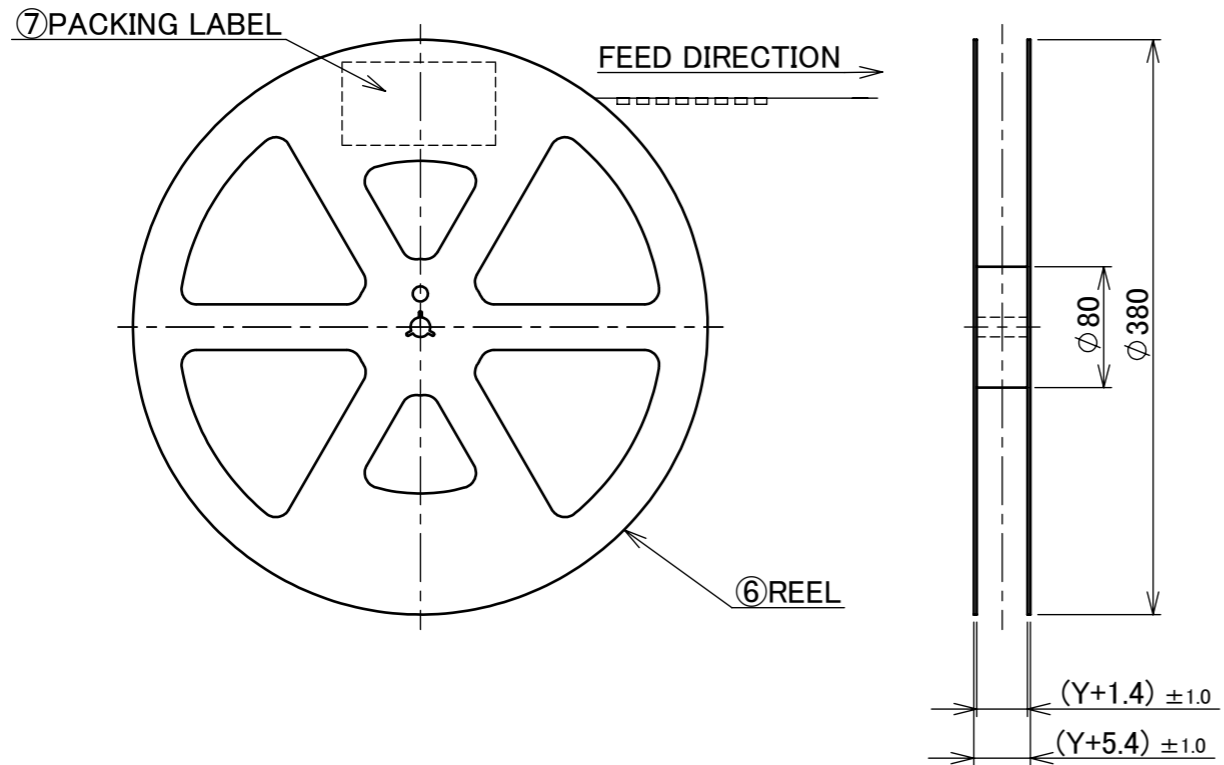


REFLOW TEMPERATURE PROFILE
SENJU METAL INDUSTRY CO., LTD. : M705-SHF(Sn96.5 Ag3.0 Cu0.5)

ANGLE	±2°	6 OVER 30 MAX.	±0.3	PROJECTION ⊕	SERIES No. R3	CUSTOMER COPY	
6 MAX.	±0.2	30 OVER 120 MAX.	±0.5				
GENERAL TOLERANCE.				TITLE		SCALE	I-PEX
DWG.	DATE			CABLIN [®] -UM RECE. ASS'Y		5:1	
CHK.						UNIT	
APP.				DWG. No. 20879		mm	
						SIZE	SHEET 9/11 REV. 3
						A3	

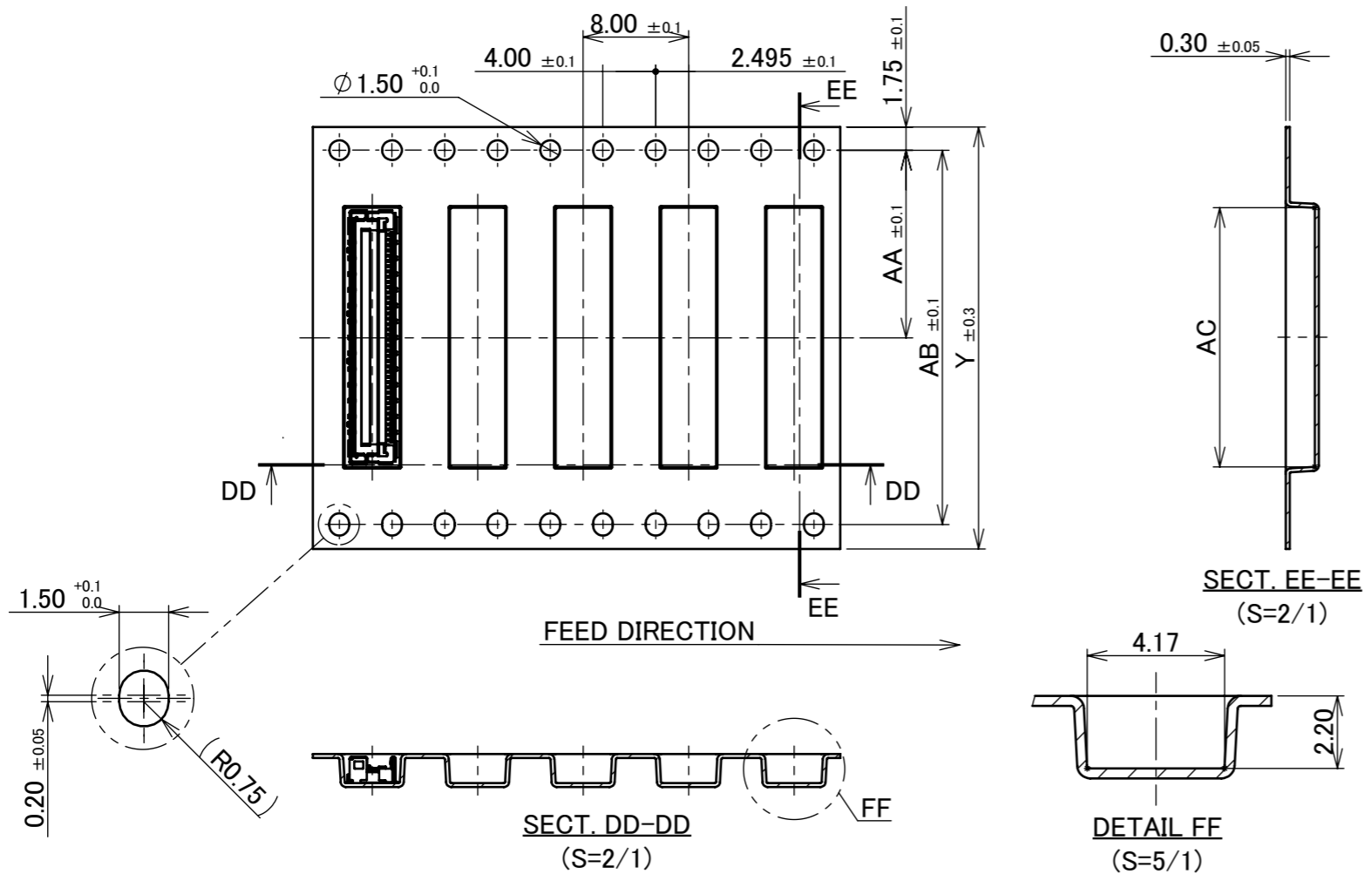
PART NO.	Y	Z	AA	AB	AC	QTY. PER EMBOSS REEL (PIECES / REEL)	QTY. PER PACKING CARTON (REELS / CARTON)
20879-030E-01	32.00	25.50	14.20	28.40	15.67	4500 / REEL	4 / CARTON = 18000
20879-040E-01	32.00	25.50	14.20	28.40	19.67	4500 / REEL	4 / CARTON = 18000

01 TYPE



PATENT PENDING

- NOTES.
- TAPING SPECIFICATION FOLLOWS JIS C 0806 (IEC 60286-3).
 - MAKE EMPTY SECTION OF LEADER AND END ON EACH END OF THE TAPE.
 - TOP TAPE SHALL NOT STICK OUT FROM EMBOSS TAPE.
 - TOP TAPE SHALL NOT COVER FEED HOLE.



NO.	DISCRIPTION	MATERIAL	FINISH , REMARKS
7	PACKING LABEL	-	-
6	REEL	PS	ANTI-STATIC TYPE BLACK
5	TOP TAPE	PET t=0.062 TRANSPARENCY	ANTI-STATIC TYPE
4	EMBOSS TAPE	PS t=0.3 TRANSPARENCY	ANTI-STATIC TYPE

ANGLE	±2°	6 OVER 30 MAX.	±0.3	PROJECTION	SERIES No.	CUSTOMER COPY
6 MAX.	±0.2	30 OVER 120 MAX.	±0.5		R3	
GENERAL TOLERANCE.				TITLE	20879	SCALE
DWG.	DATE		CABLIN [®] -UM RECE. ASS'Y	5:1		
CHK.				UNIT		
APP.				mm		
				SIZE	SHEET 10/11 REV. 3	
				A3		

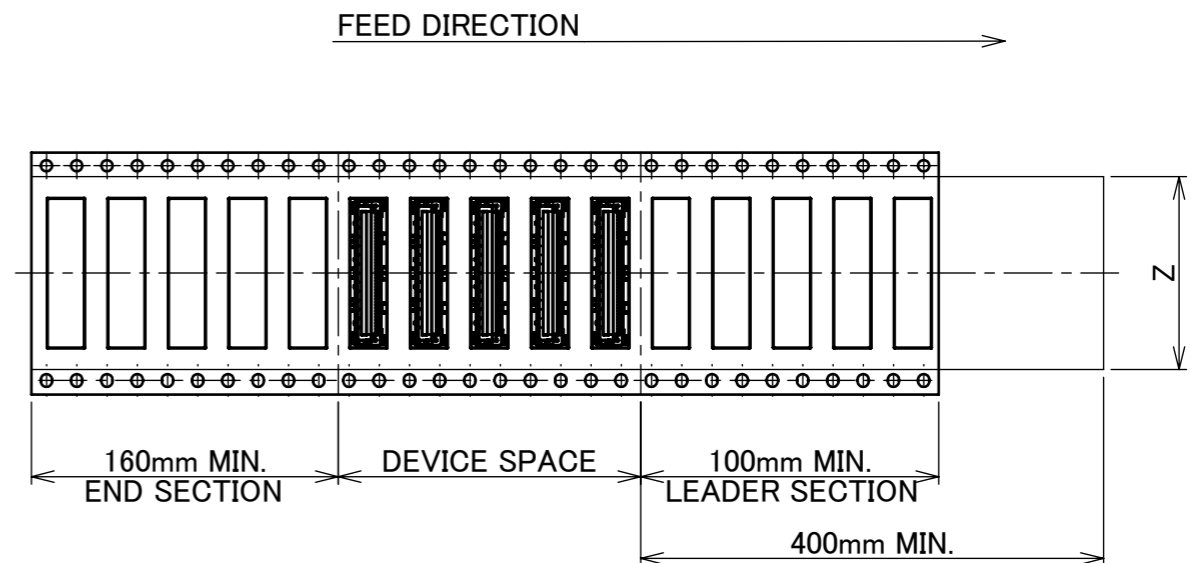
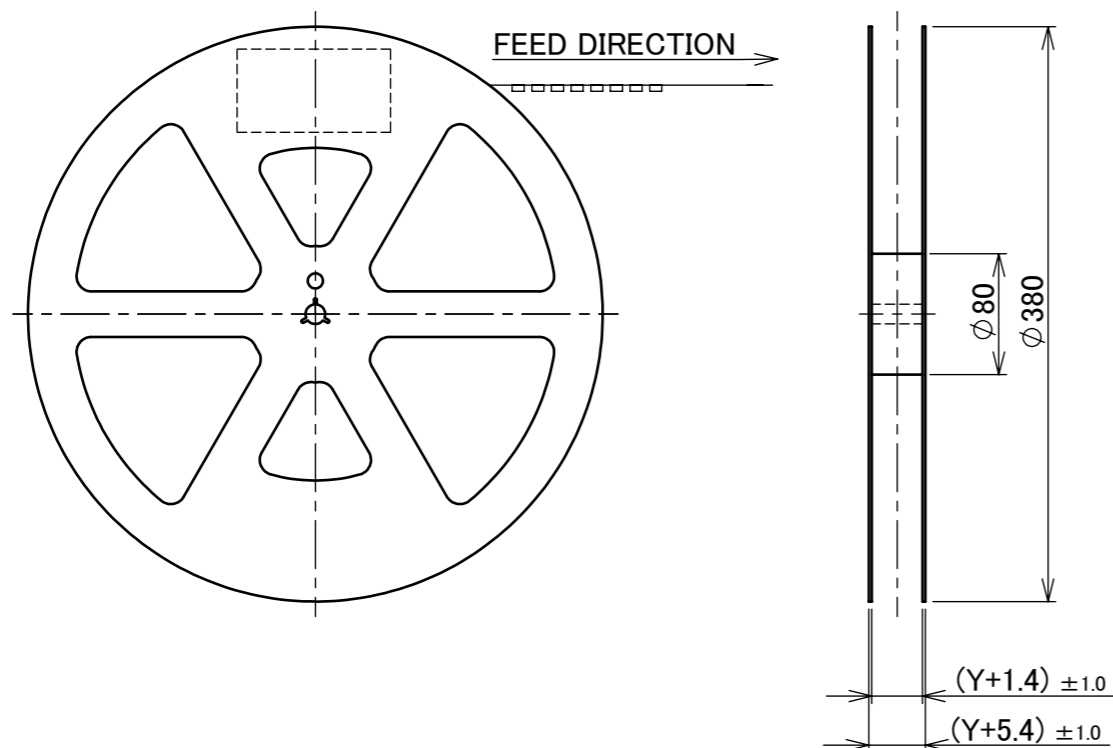
Confidential C

I-PEX Inc.

QKE-DFE06-02 REV.11

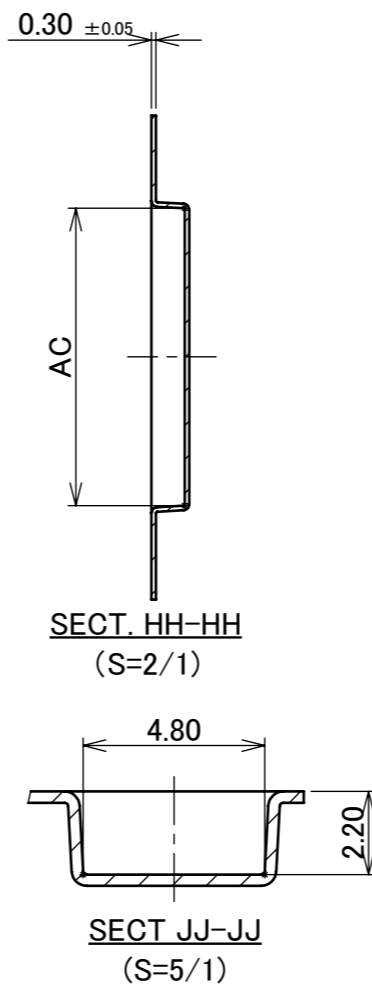
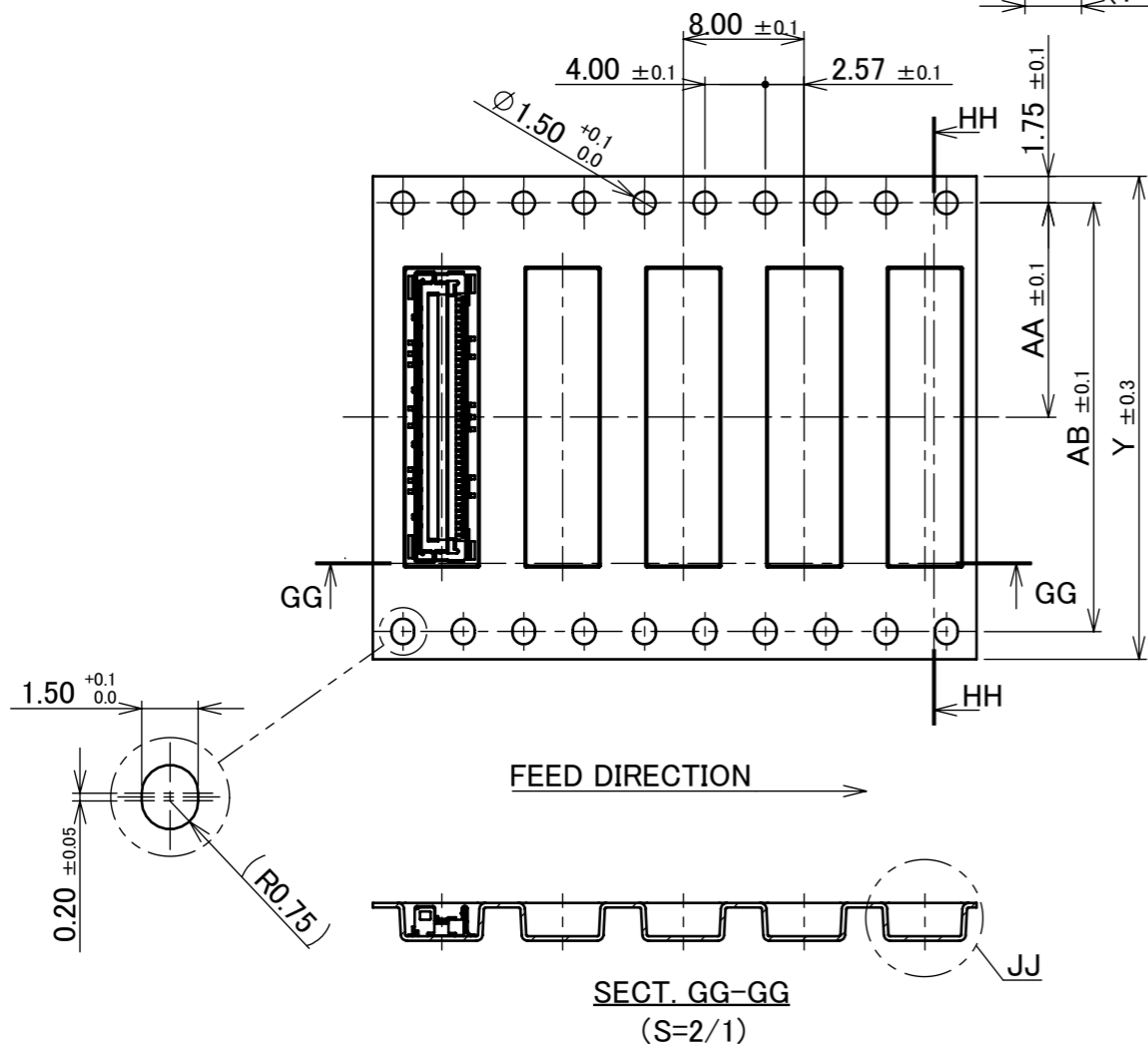
PART NO.	Y	Z	AA	AB	AC	QTY. PER EMBOSS REEL (PIECES / REEL)	QTY. PER PACKING CARTON (REELS / CARTON)
20879-030E-02	32.00	25.50	14.20	28.40	15.67	4500 / REEL	4 / CARTON = 18000
20879-040E-02	32.00	25.50	14.20	28.40	19.67	4500 / REEL	4 / CARTON = 18000

02 TYPE



PATENT PENDING

- NOTES.
- TAPING SPECIFICATION FOLLOWS JIS C 0806 (IEC 60286-3).
 - MAKE EMPTY SECTION OF LEADER AND END ON EACH END OF THE TAPE.
 - TOP TAPE SHALL NOT STICK OUT FROM EMBOSS TAPE.
 - TOP TAPE SHALL NOT COVER FEED HOLE.



ANGLE	±2°	6 OVER 30 MAX.	±0.3	PROJECTION	SERIES No.	CUSTOMER COPY
	6 MAX.	±0.2	30 OVER 120 MAX.	±0.5	R3	
GENERAL TOLERANCE.				TITLE	SCALE	I-PEX
DWG.	DATE			CABLIN [®] -UM RECE. ASS'Y	5:1	
CHK.				DWG. No.	UNIT	
APP.				20879	mm	
					SIZE	
					A3	SHEET 11/11 REV. 3