

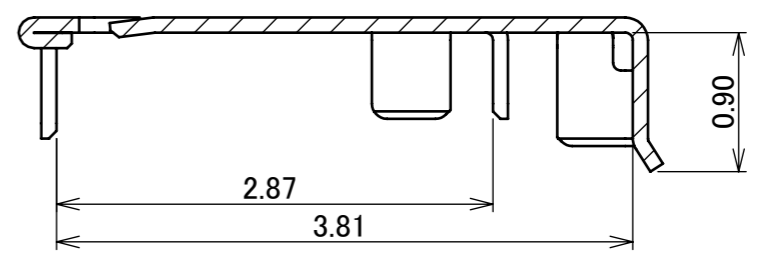
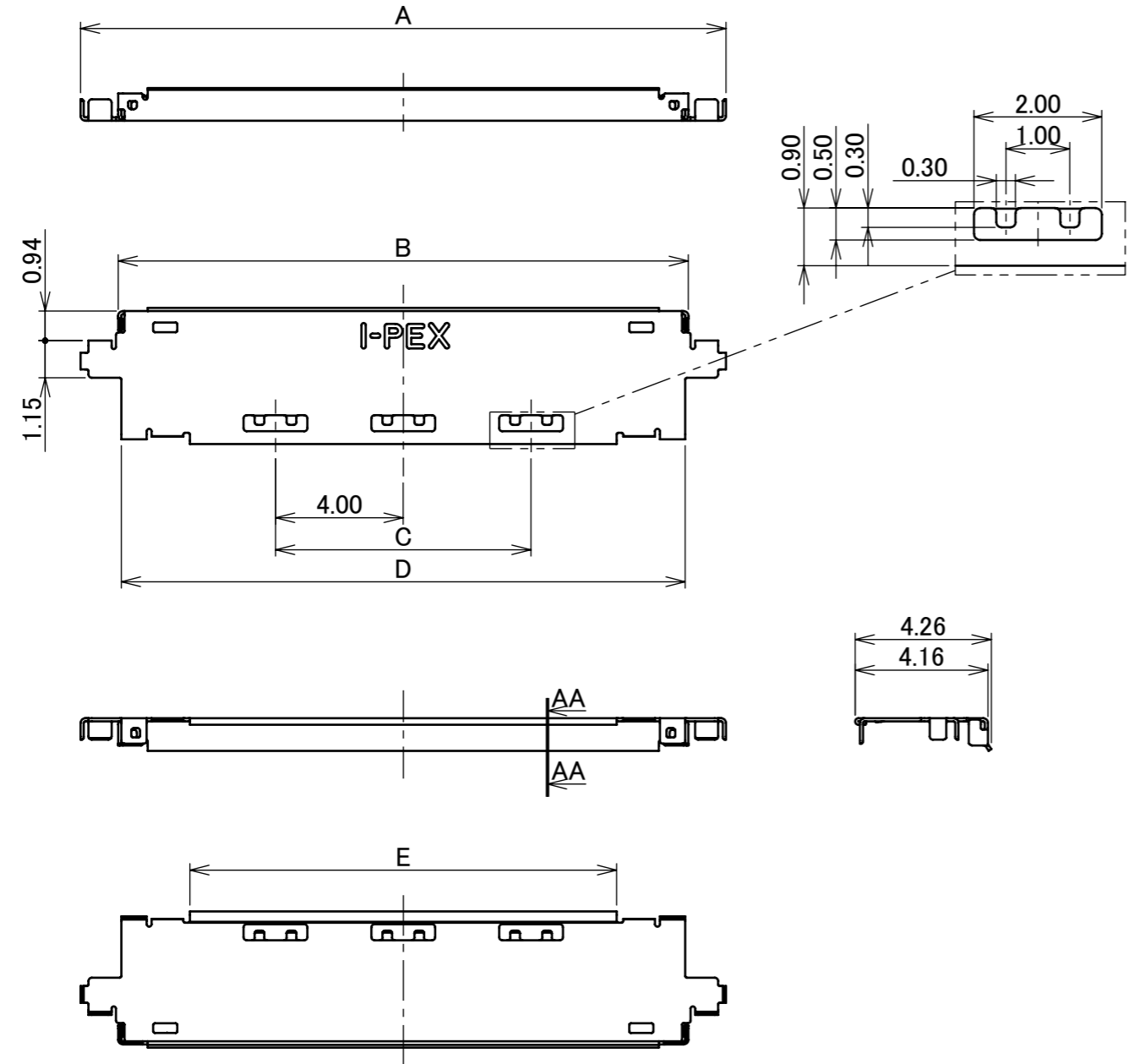
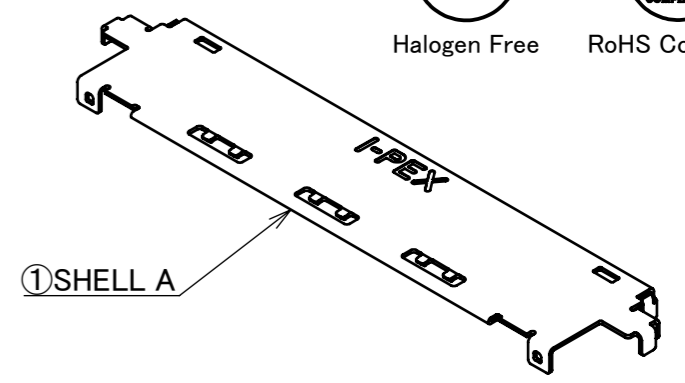
Recommended P/N 3488-0**1

PART No.	Pos.	A	B	C	D	E
3488-0301	30	16.20	13.88	4.00	13.65	9.36
3488-0401	40	20.20	17.88	8.00	17.65	13.36
3488-0501	50	24.20	21.88	12.00	21.65	17.36
3488-0601	60	28.20	25.88	16.00	25.65	21.36



Halogen Free RoHS Compliant

PATENT PENDING

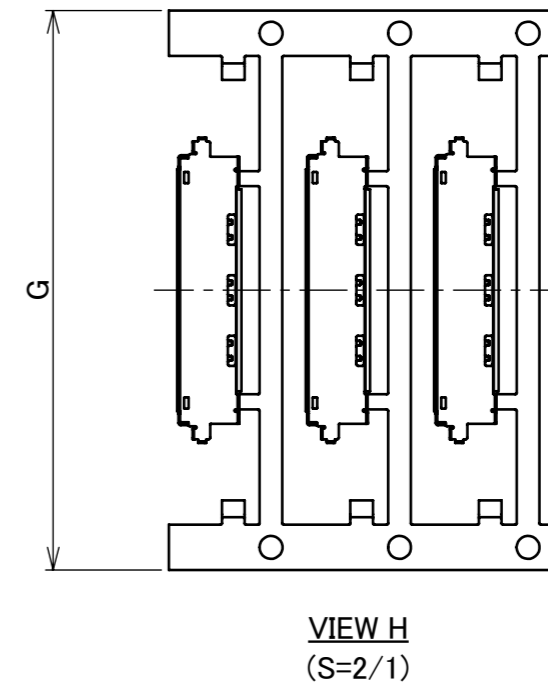
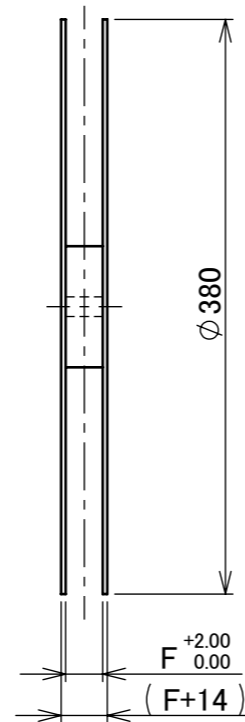
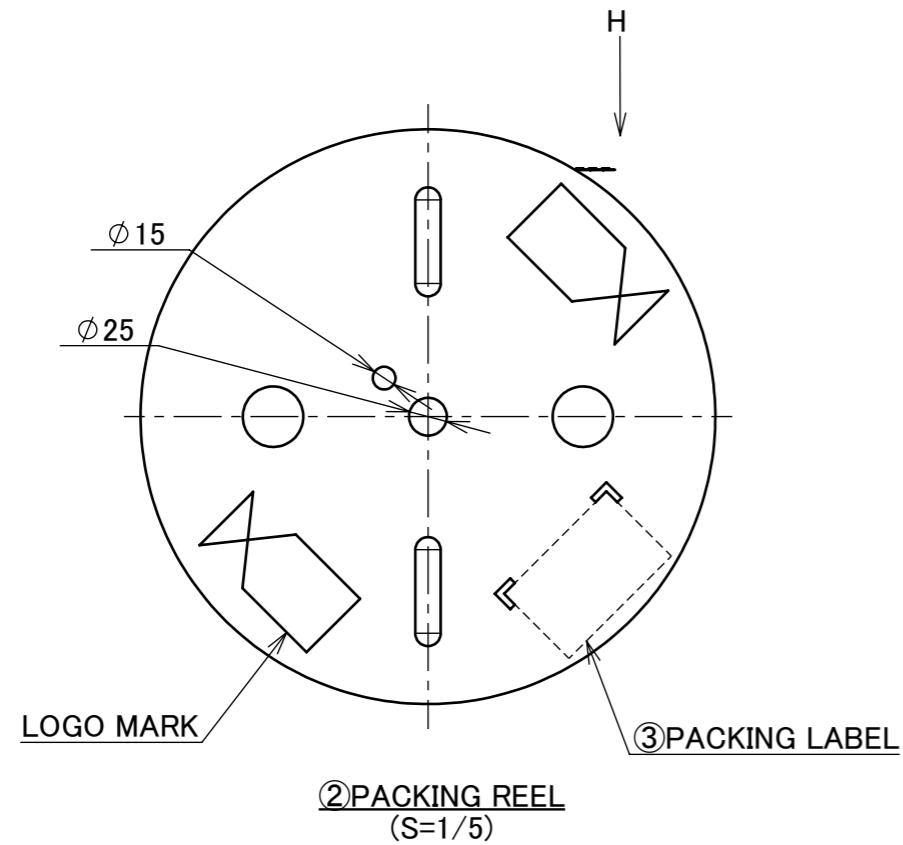


SECT.AA-AA (S=20/1)

NO.	DISCRIPTION	MATERIAL	FINISH , REMARKS
1	SHELL A	PHOSPHOR BRONZE	PARTIAL Au 0.003 μ m MIN. OVER Ni 1.00 μ m MIN.

REV.	ECN	BY	DATE	APP.	APP.	CHK.	DATE	PROJECTION	SERIES No.	TITLE	SCALE	UNIT	SIZE	SHEET	REV.
4	Z240487	R.M	Apr./17/'24	T.M	6 MAX.	±2°	6 OVER 30 MAX.	±0.3	R2	CABLINER [®] -UM PLUG SHELL A	5:1	mm	A3	1/2	4
3	Z240289	R.M	Mar./05/'24	T.M	6 MAX.	±0.2	30 OVER 120 MAX.	±0.5							
2	Z211301	T.M	Nov./01/'21	H.I	GENERAL TOLERANCE.										
1	Z200040	T.M	Jan./14/'20	H.I	DWG.	T.Masunaga	2019/01/10								
0	Z190029	T.M	Jan./10/'19		CHK.	-									
REVISION RECORD					APP.	H.Ikari			DWG. No.	3488					

PART No.	Pos.	F	G	QTY. PER EMBOSS REEL (PIECES / REEL)	QTY. PER PACKING CARTON (REELS / CARTON)	PACKING STANDARD
3488-0301	30	40.00	37.00	5000 / REEL	3 / CARTON = 15000	PST-18045
3488-0401	40	40.00	37.00			
3488-0501	50	40.00	37.00			
3488-0601	60	40.00	37.00			



NO.	DISCRIPTION	MATERIAL	FINISH , REMARKS
3	PACKING LABEL	-	-
2	PACKING REEL	CARDBOARD	-

ANGLE	$\pm 2^\circ$	6 OVER 30 MAX.	± 0.3	PROJECTION	SERIES No.	CUSTOMER COPY				
6 MAX.	± 0.2	30 OVER 120 MAX.	± 0.5		R2	<div style="text-align: center; font-size: 2em; font-weight: bold;">I-PEX</div>				
GENERAL TOLERANCE.									TITLE	SCALE
DWG.	DATE				CABLIN [®] -UM PLUG SHELL A				5:1	
CHK.									UNIT	
APP.					DWG. No.	3488	mm	SIZE	SHEET	REV.
							A3	2/2	4	