

Recommended P/N 3588-0**1

PART NO.	Pos.	A	B	C
3588-0301	30	10.00	15.65	13.65
3588-0401	40	14.00	19.65	17.65
3588-0501	50	18.00	23.65	21.65
3588-0601	60	22.00	27.65	25.65

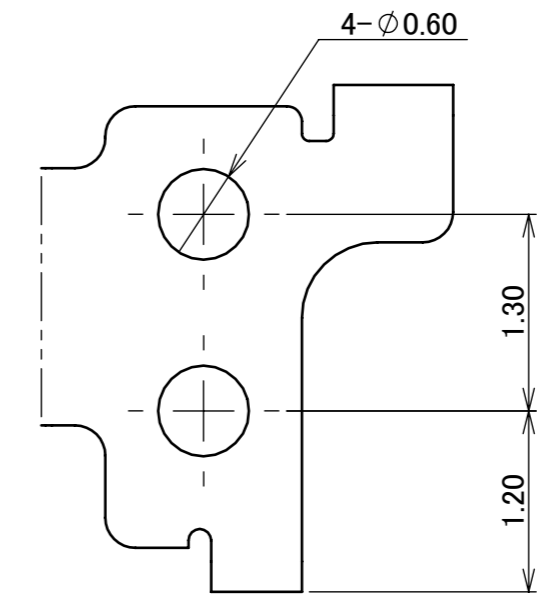
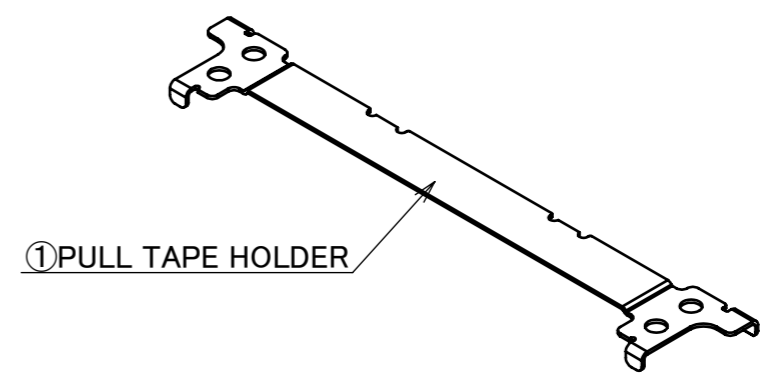
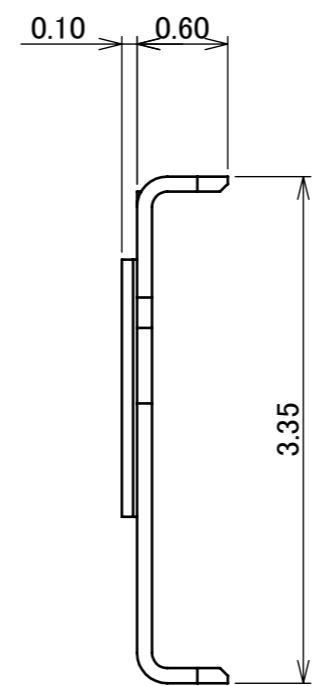
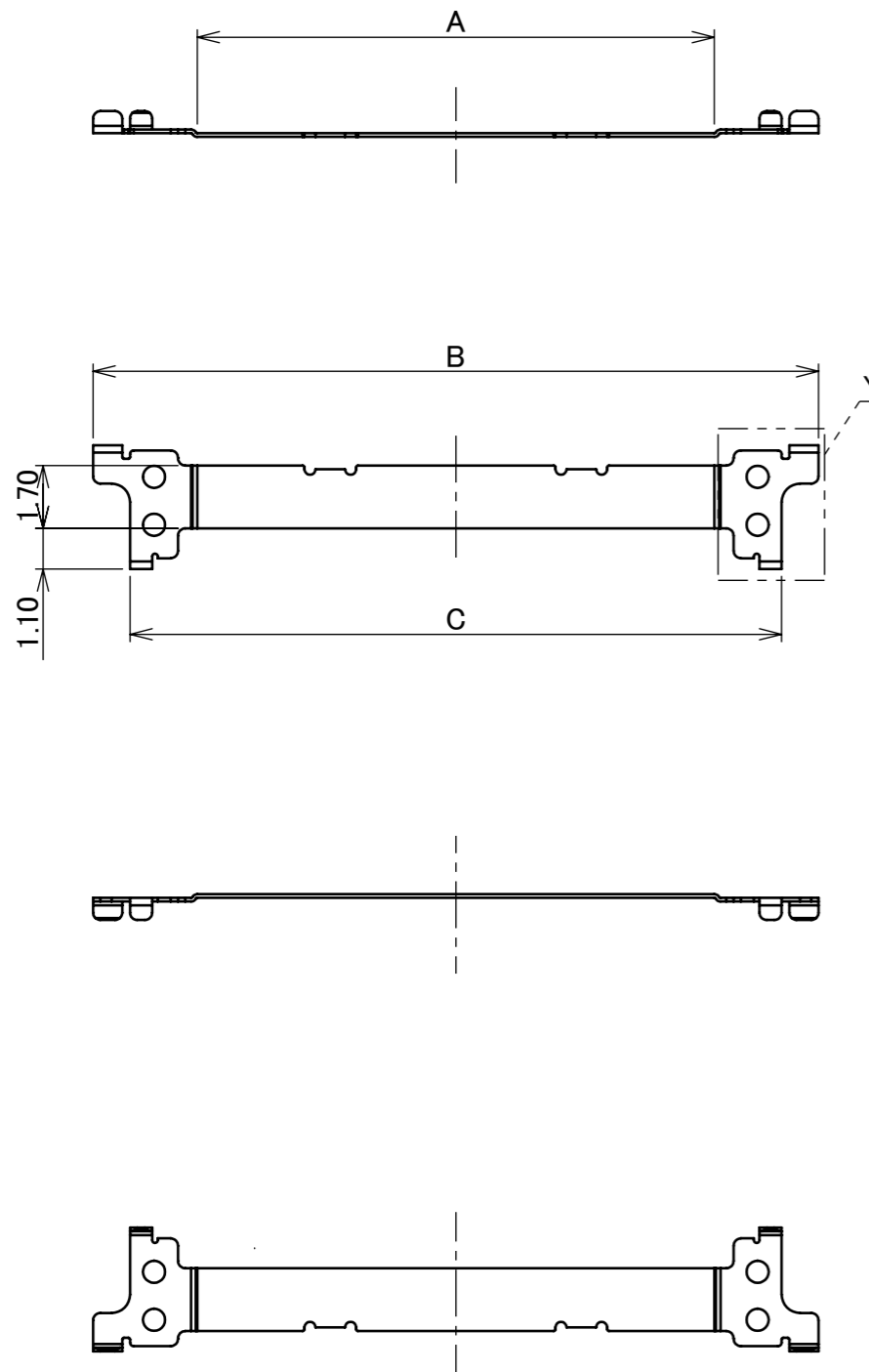
PATENT PENDING



Halogen Free



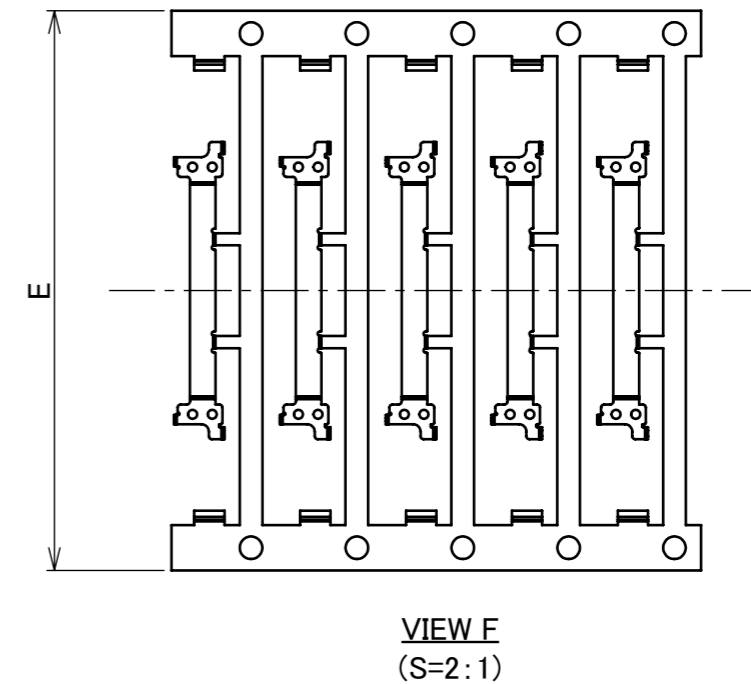
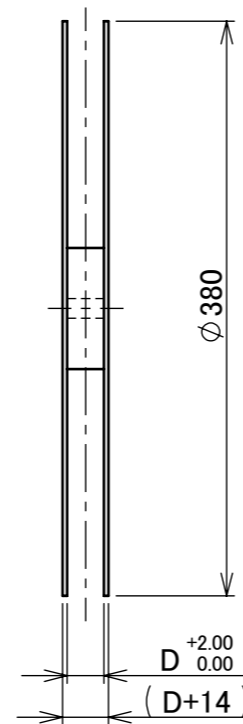
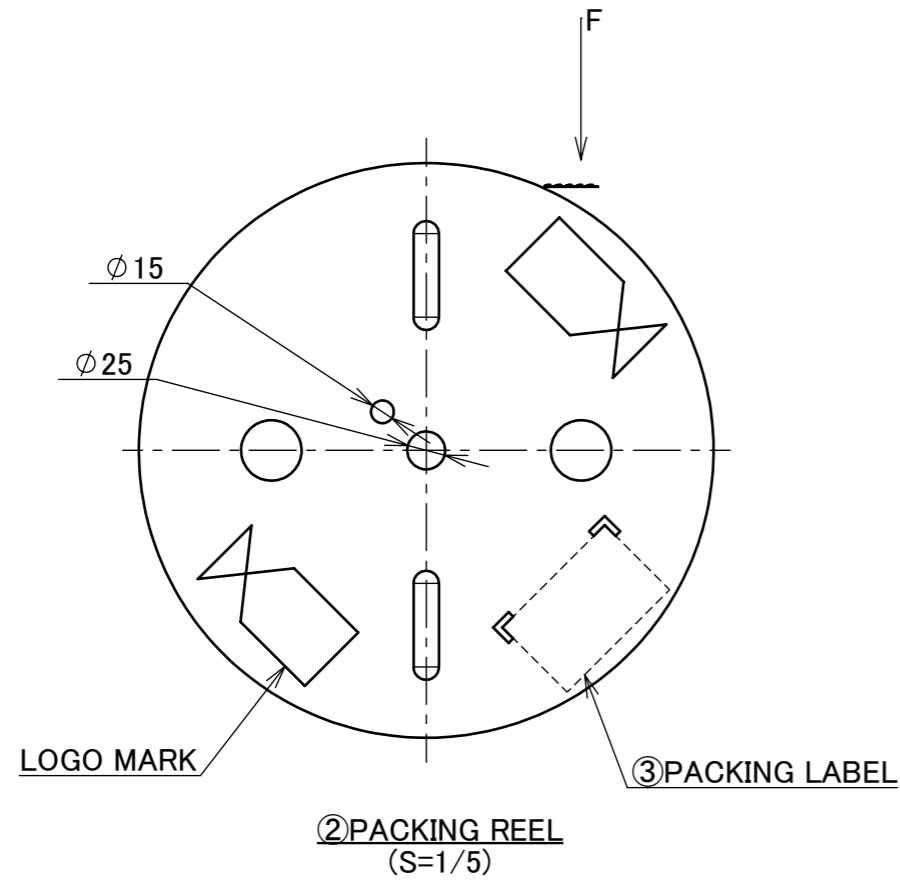
RoHS Compliant



NO.	DISCRIPTION	MATERIAL	FINISH , REMARKS
1	PULL TAPE HOLDER	PHOSPHOR BRONZE	PARTIAL Au 0.003 μ m MIN. OVER Ni 1.00 μ m MIN.

REV.	ECN	BY	DATE	APP.	APP.	ANGLE	±2°	6 OVER 30 MAX.	±0.3	PROJECTION	SERIES No.	CUSTOMER COPY
4	Z240289	R.M	Mar./05/'24	T.M	6 MAX.	±0.2	30 OVER 120 MAX.	±0.5	①	R0		
3	Z220115	R.M	Feb./14/'22	H.I	GENERAL TOLERANCE.				②			
2	Z211414	T.M	Nov./17/'21	H.I	DWG.	DATE			TITLE			SCALE
1	Z200040	T.M	Jan./14/'20	H.I	T.Masunaga		2019/01/10		CABLIN [®] -UM			5:1
0	Z190029	T.M	Jan./10/'19		CHK.				PLUG			UNIT
					APP.				PULL TAPE HOLDER			mm
									DWG. No.			SIZE
									3588			A3
												SHEET
												1/2
												REV.
												4

PART No.	Pos.	D	E	QTY. PER EMBOSS REEL (PIECES / REEL)	QTY. PER PACKING CARTON (REELS / CARTON)	PACKING STANDARD
3588-0301	30	40.00	37.00	10000/ REEL	3 / CARTON = 30000	PST-18074
3588-0401	40	40.00	37.00			
3588-0501	50	40.00	37.00			
3588-0601	60	40.00	37.00			



NO.	DISCRIPTION	MATERIAL	FINISH , REMARKS
3	PACKING LABEL	-	-
2	PACKING REEL	CARDBOARD	-

ANGLE	±2°	6 OVER 30 MAX.	±0.3	PROJECTION	SERIES No.	CUSTOMER COPY				
6 MAX.	±0.2	30 OVER 120 MAX.	±0.5		R0	<div style="text-align: center; font-size: 2em; font-weight: bold;">I-PEX</div>				
GENERAL TOLERANCE.									TITLE	SCALE
DWG.	DATE		CABLINÉ® -UM PLUG PULL TAPE HOLDER						1:5	
CHK.									UNIT	
APP.			DWG. No. 3588			mm	SIZE	SHEET	REV.	
						A3	2/2	4		