

Recommended P/N 3588-0**1

PART NO.	Pos.	A	B	C
3588-0301	30	10.00	15.65	13.65
3588-0401	40	14.00	19.65	17.65
3588-0601	60	22.00	27.65	25.65

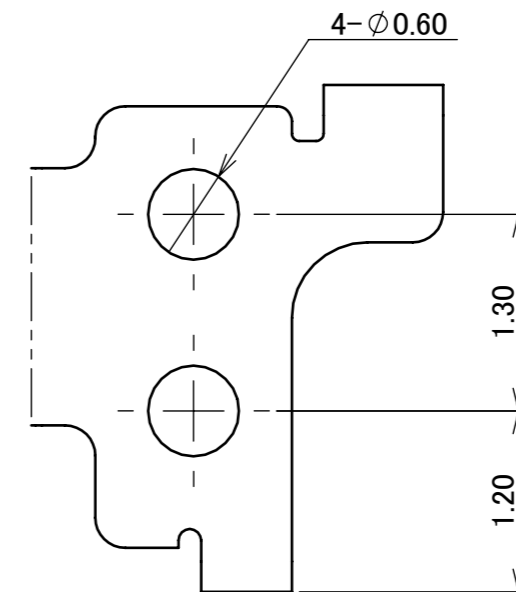
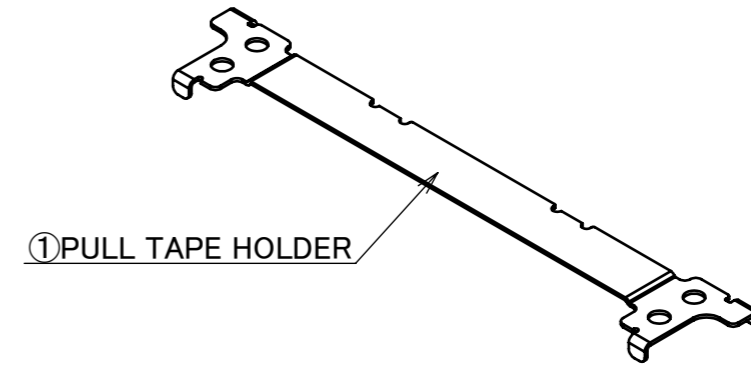
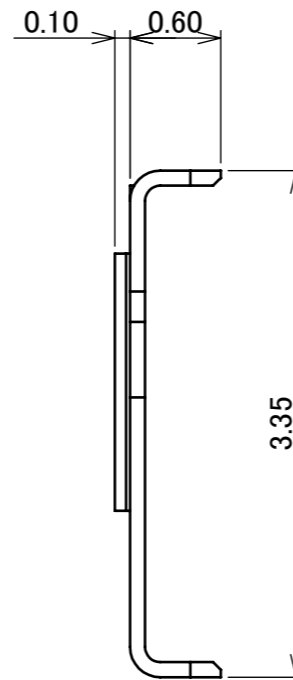
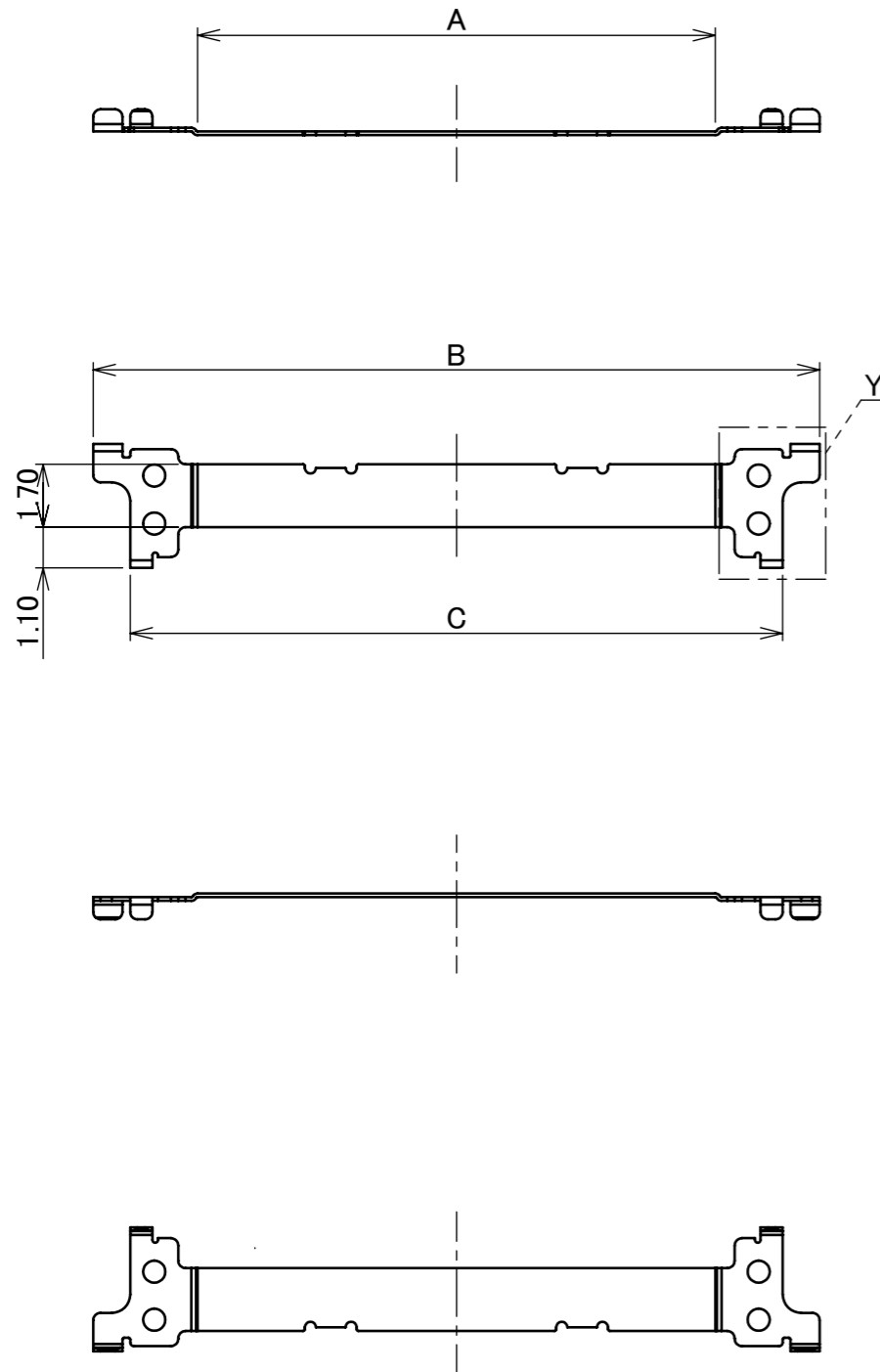
PATENT PENDING



Halogen Free



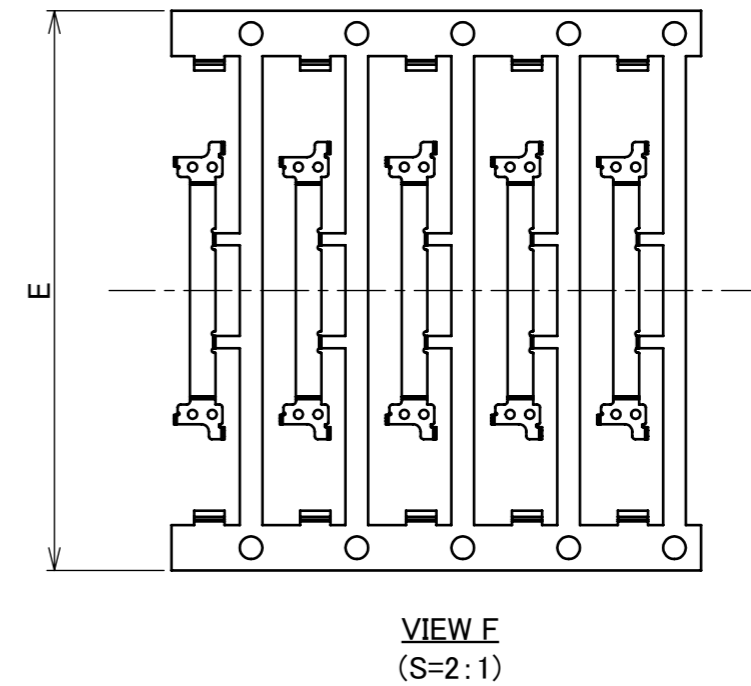
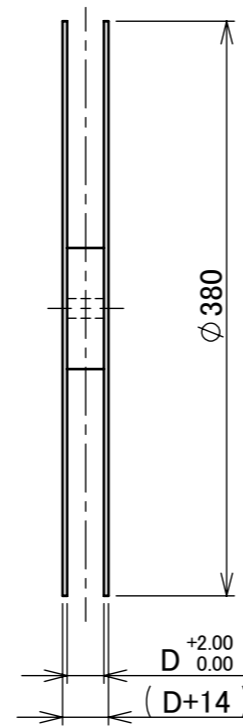
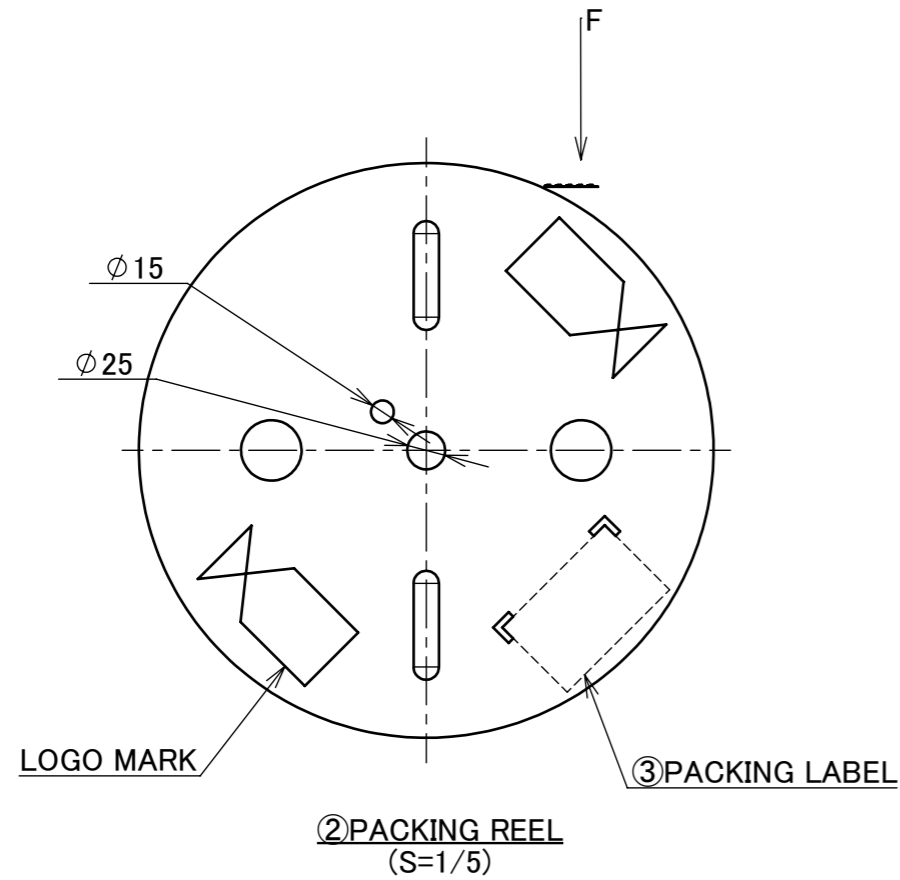
RoHS Compliant



NO.	DISCRIPTION	MATERIAL	FINISH , REMARKS
1	PULL TAPE HOLDER	PHOSPHOR BRONZE	PARTIAL Au 0.003 μ m MIN. OVER Ni 1.00 μ m MIN.

REV.	ECN	BY	DATE	APP.	APP.	CHK.	DATE	APP.	ANGLE	PROJECTION	SERIES No.	TITLE	SCALE	UNIT	SIZE	SHEET	REV.
3	Z220115	R.M	Feb./14/'22	H.I					±2°	6 OVER 30 MAX.	R0	CABLINER [®] -UM	5:1	mm	A3	1/2	3
2	Z211414	T.M	Nov./17/'21	H.I					6 MAX.	30 OVER 120 MAX.		PLUG					
1	Z200040	T.M	Jan./14/'20	H.I								PULL TAPE HOLDER					
0	Z190029	T.M	Jan./10/'19														
REVISION RECORD					H.Ikari		2019/01/11										

PART No.	Pos.	D	E	QTY. PER EMBOSS REEL (PIECES / REEL)	QTY. PER PACKING CARTON (REELS / CARTON)	PACKING STANDARD
3588-0301	30	40.00	37.00	10000/ REEL	3 / CARTON = 30000	PST-18074
3588-0401	40	40.00	37.00			
3588-0601	60	40.00	37.00			



NO.	DISCRIPTION	MATERIAL	FINISH , REMARKS
3	PACKING LABEL	-	-
2	PACKING REEL	CARDBOARD	-

ANGLE	$\pm 2^\circ$	6 OVER 30 MAX.	± 0.3	PROJECTION	SERIES No.	CUSTOMER COPY		
6 MAX.	± 0.2	30 OVER 120 MAX.	± 0.5		R0	I-PEX SCALE 1:5 UNIT mm SIZE A3 SHEET 2/2 REV. 3		
GENERAL TOLERANCE.				TITLE				
DWG.	DATE			CABLIN [®] -UM PLUG PULL TAPE HOLDER				
CHK.								
APP.				DWG. No.	3588			