

Recommended P/N 20878-0\*\*T-01

PART No.	Pos.	A	B	C	D	E	F	G	H
20878-030T-01	30	13.65	11.60	16.20	12.01	8.00	13.00	12.65	4.0
20878-040T-01	40	17.65	15.60	20.20	16.01	12.00	17.00	16.65	8.0
20878-060T-01	60	25.65	23.60	28.20	24.01	20.00	25.00	24.65	16.00

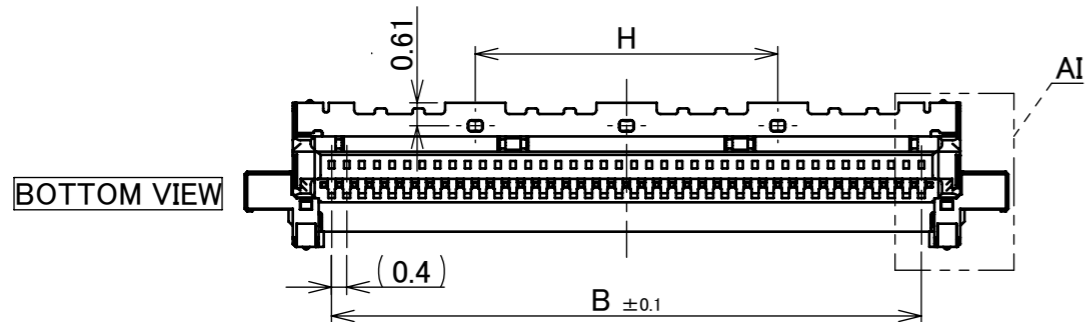
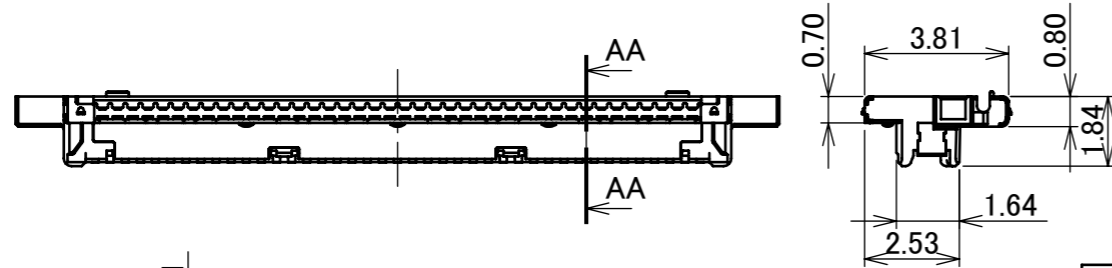
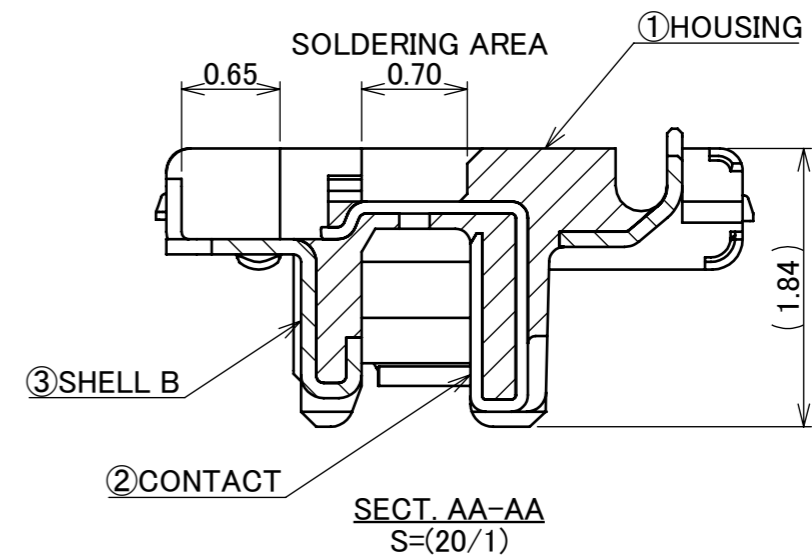
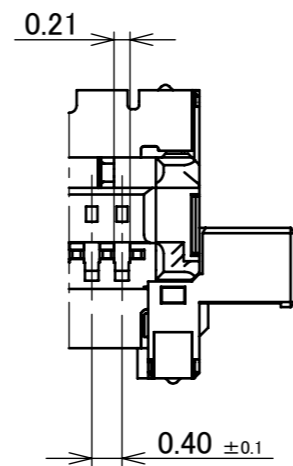
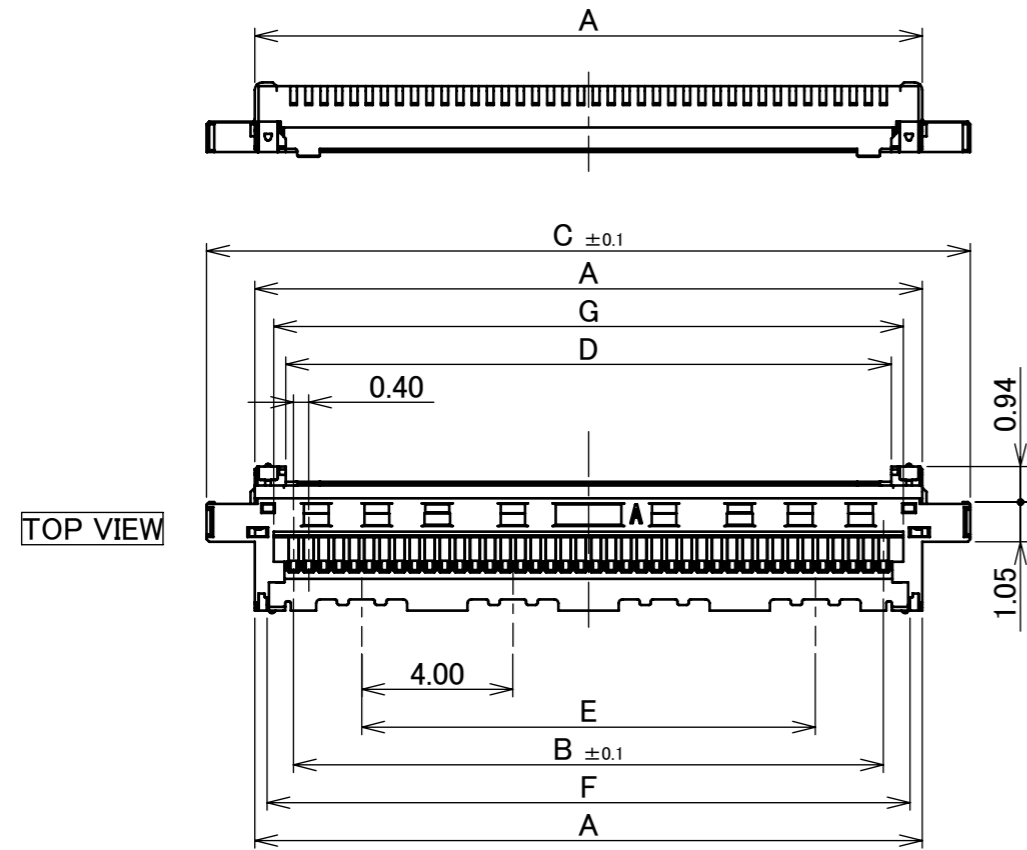
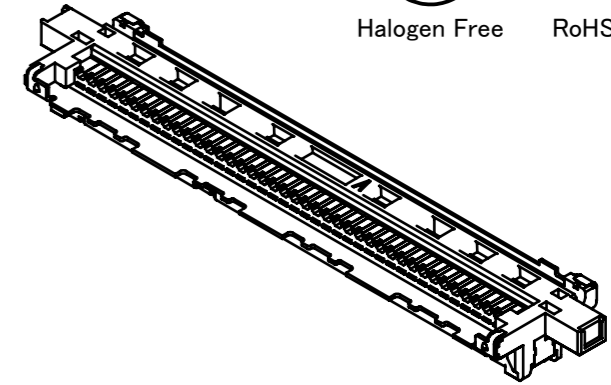


Halogen Free



RoHS Compliant

# PATENT PENDING

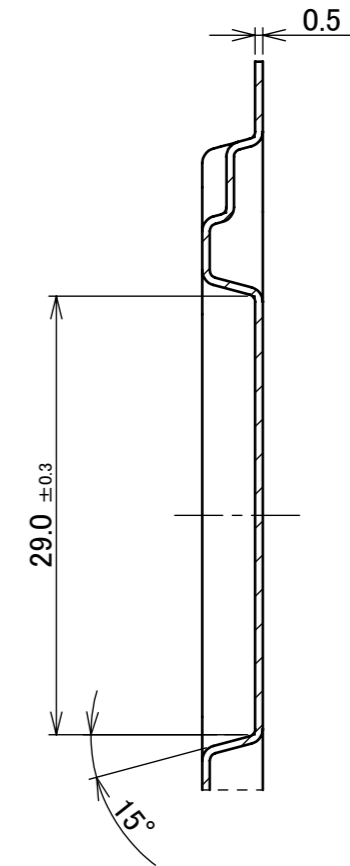
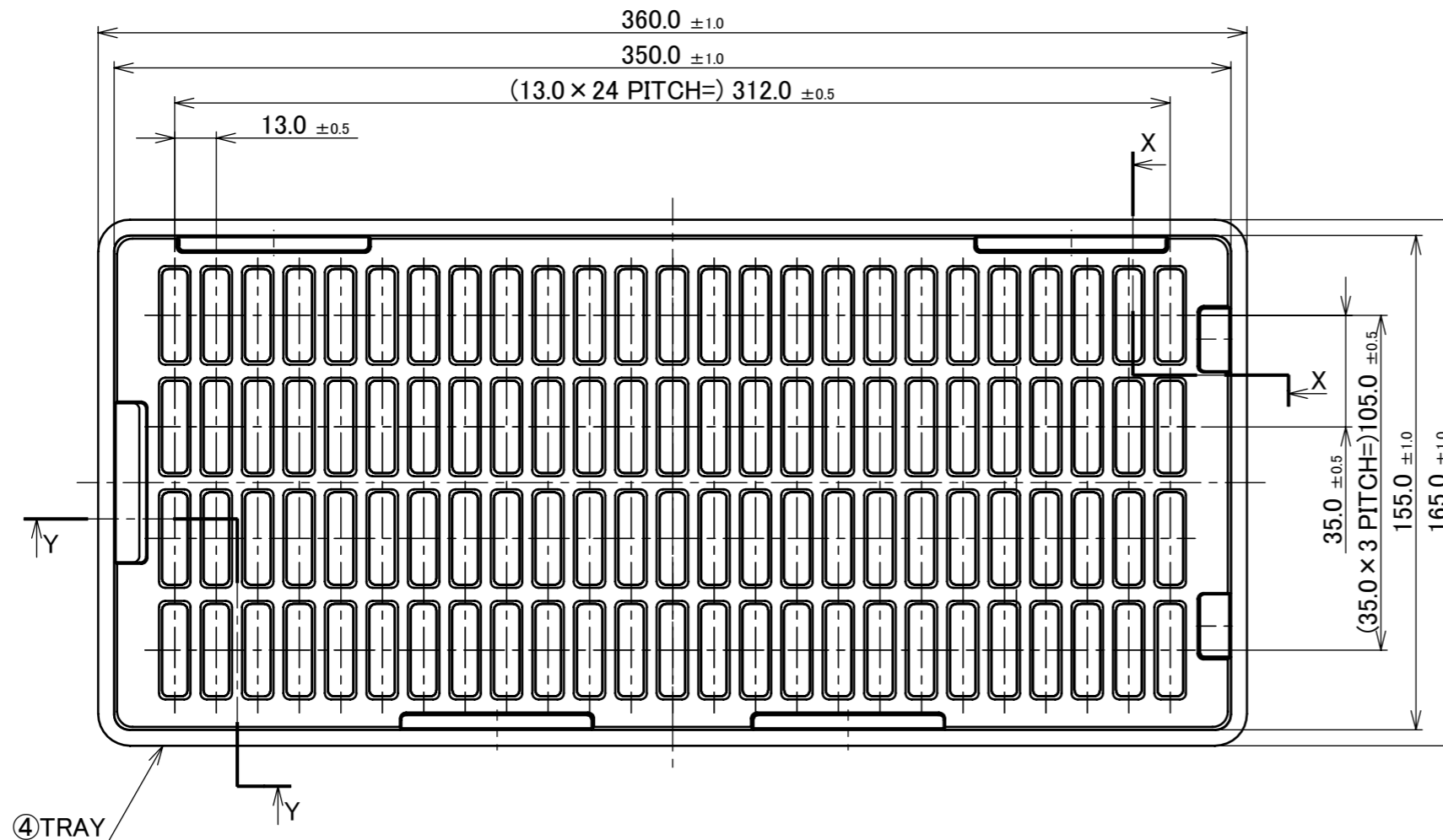


NO.	DISCRIPTION	MATERIAL	FINISH , REMARKS
3	SHELL B	PHOSPHOR BRONZE	PARTIAL Au 0.003 μ m MIN. OVER Ni 1.00 μ m MIN.
2	CONTACT	CORSON ALLOY	ALL OVER Ni 1.00 μ m MIN. CONTACT & SOLDERING AREA : Au 0.03 μ m MIN.
1	HOUSING	LCP	UL94V-0 ,BLACK

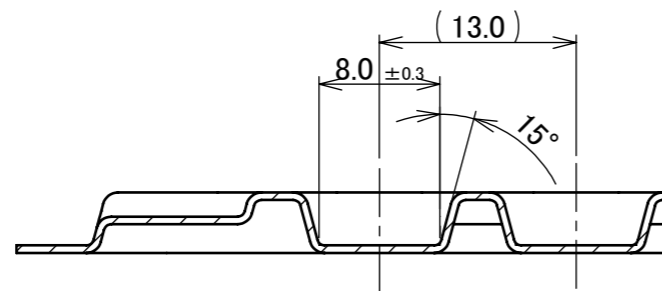
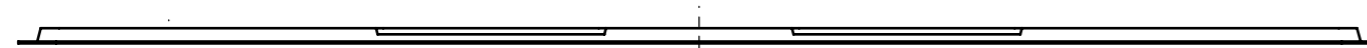
REV.	ECN	BY	DATE	APP.	APP.	CHK.	DATE	ANGLE	PROJECTION	SERIES No.	TITLE	SCALE	UNIT	SIZE	SHEET	REV.
4	Z220115	R.M	Feb./14/'22	H.I	6 MAX.	±2°	6 OVER 30 MAX.	±0.3		R3	CABLINER <sup>®</sup> -UM PLUG HOUSING ASS'Y	5:1	mm	A3	1/3	4
3	Z211301	T.M	Nov./01/'21	H.I	30 OVER 120 MAX.	±0.5	GENERAL TOLERANCE.									
2	Z210519	T.M	May/19/'21	H.I	DWG.	T.Masunaga	2019/01/10									
1	Z200040	T.M	Jan./14/'20	H.I	CHK.	-										
0	Z190029	T.M	Jan./10/'19		APP.	H.Ikari	2019/01/11									

PART NO.	QTY. IN DITCH (PIECES / DITCH)	QTY. IN TRAY (PIECES / TRAY)	QTY. IN SHIPPING CARTON (TRAY / S CARTON)	QTY. IN PACKING CARTON (S CARTON / P CARTON)	PACKING STANDARD
20878-030T-01	1	100 / TRAY	20 / S CARTON = 2000	4 / P CARTON = 8000	PST-18044
20878-040T-01					
20878-060T-01					

**FOR 30,40P**



**SECT X-X**  
(S=2/1)



**SECT.Y-Y**  
(S=2/1)

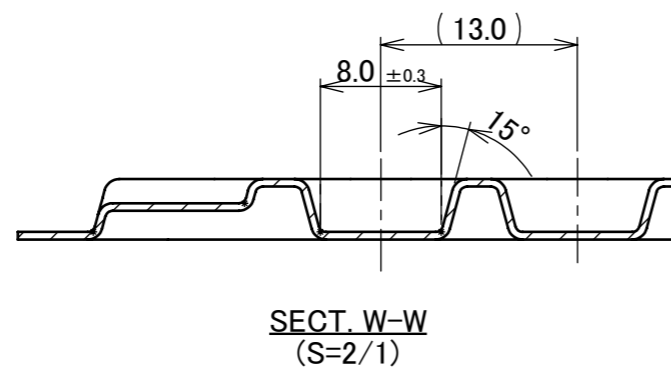
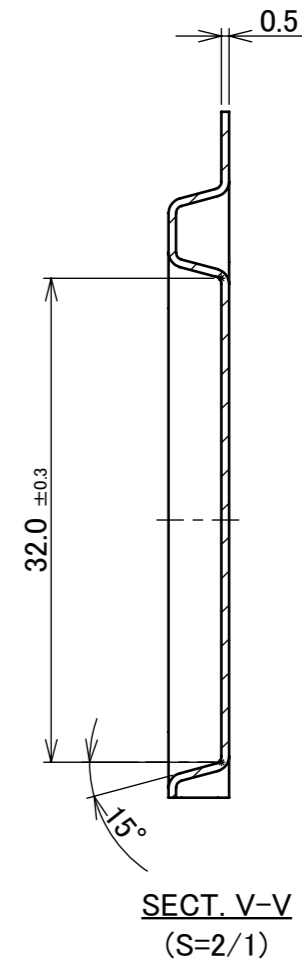
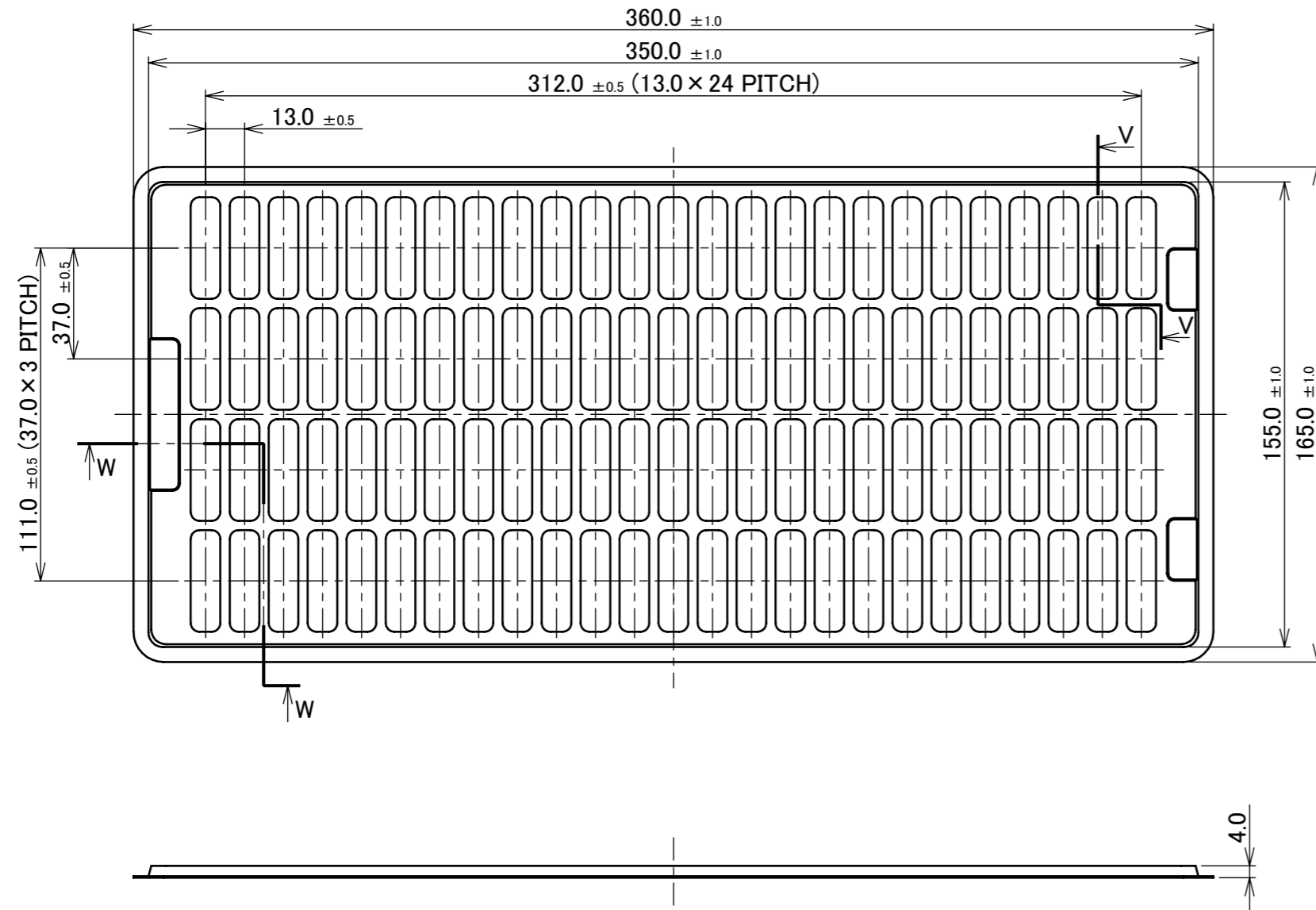
4	TRAY	PP	ANTI-STATIC TYPE
NO.	DISCRIPTION	MATERIAL	FINISH , REMARKS
ANGLE	±2°	6 OVER 30 MAX.	±0.3
6 MAX.	±0.2	30 OVER 120 MAX.	±0.5
GENERAL TOLERANCE.		PROJECTION	SERIES No.
DWG.	DATE		R3
CHK.		TITLE	
APP.		CABLIN® -UM PLUG HOUSING ASS'Y	
		DWG. No.	20878
		SCALE	1:2
		UNIT	mm
		SIZE	A3
		SHEET	2/3
		REV.	4

CUSTOMER COPY

**I-PEX**

PART NO.	QTY. IN DITCH (PIECES / DITCH)	QTY. IN TRAY (PIECES / TRAY)	QTY. IN SHIPPING CARTON (TRAY / S CARTON)	QTY. IN PACKING CARTON (S CARTON / P CARTON)	PACKING STANDARD
20878-030T-01	1	100 / TRAY	20 / S CARTON = 2000	4 / P CARTON = 8000	PST-18044
20878-040T-01					
20878-060T-01					

**FOR 60P**



6 NO.	TRAY DISCIPTION	PS MATERIAL	ANTI-STATIC TYPE FINISH , REMARKS

ANGLE	±2°	6 OVER 30 MAX.	±0.3	PROJECTION	SERIES No.	CUSTOMER COPY				
6 MAX.	±0.2	30 OVER 120 MAX.	±0.5		R3	SCALE	<b>I-PEX</b>			
GENERAL TOLERANCE.						TITLE				1:2
DWG.	DATE				CABLIN <sup>®</sup> -UM PLUG HOUSING ASS'Y	UNIT				
CHK.						mm	SIZE	SHEET	REV.	
APP.					DWG. No.	20878	A3	3/3	4	