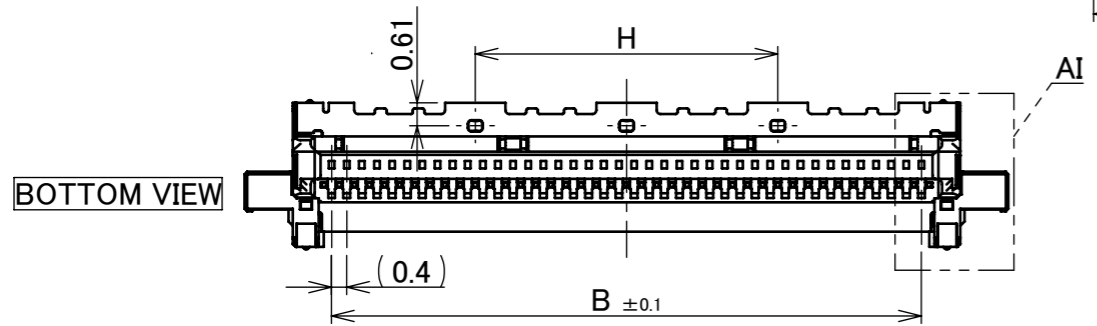
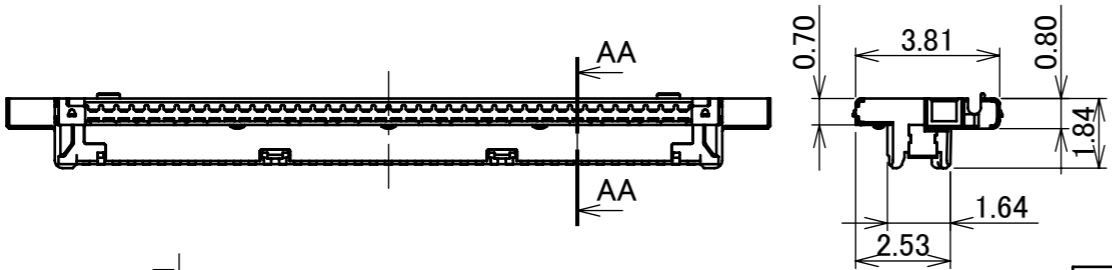
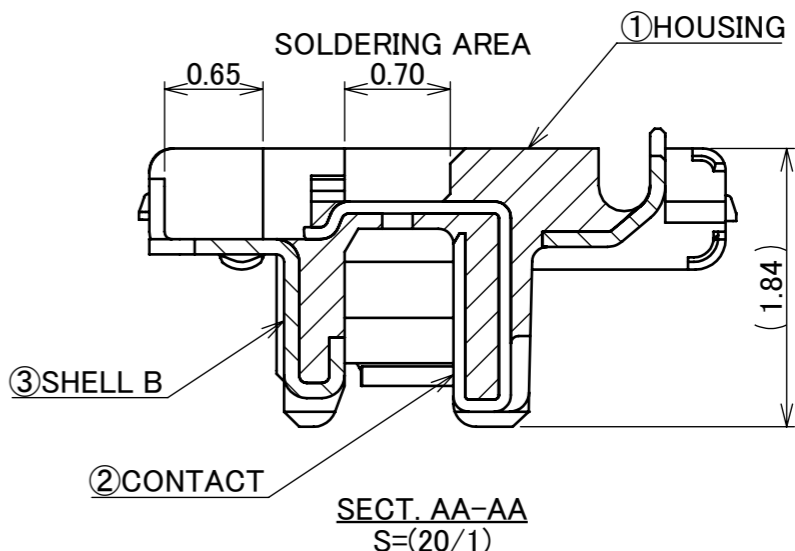
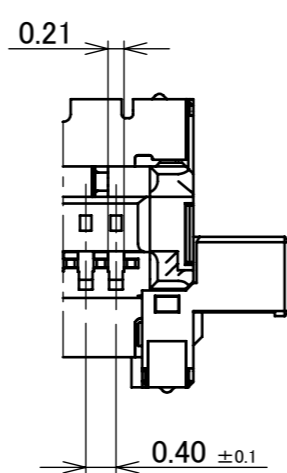
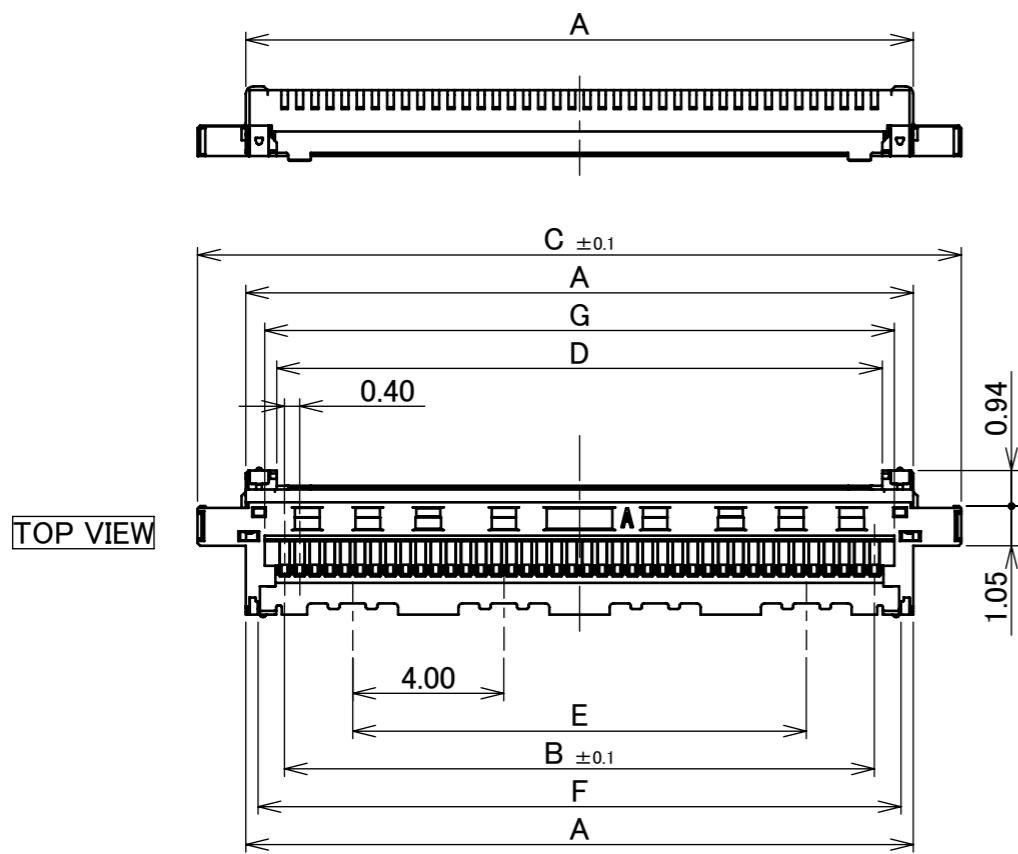
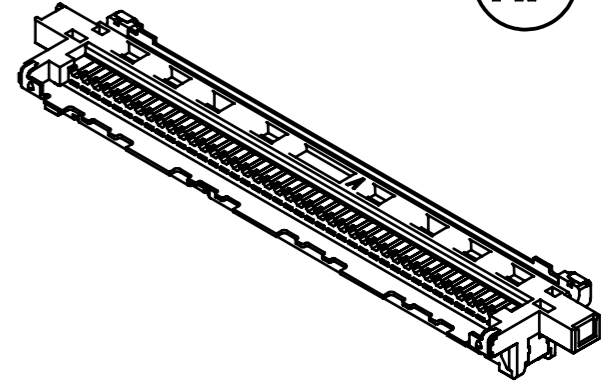


Recommended P/N 20878-0**T-01

PART No.	Pos.	A	B	C	D	E	F	G	H
20878-030T-01	30	13.65	11.60	16.20	12.01	8.00	13.00	12.65	4.0
20878-040T-01	40	17.65	15.60	20.20	16.01	12.00	17.00	16.65	8.0



PATENT PENDING



NO.	DISCRIPTION	MATERIAL	FINISH , REMARKS
3	SHELL B	PHOSPHOR BRONZE	PARTIAL Au 0.003 μ m MIN. OVER Ni 1.00 μ m MIN.
2	CONTACT	CORSON ALLOY	ALL OVER Ni 1.00 μ m MIN. CONTACT & SOLDERING AREA : Au 0.03 μ m MIN.
1	HOUSING	LCP	UL94V-0 ,BLACK

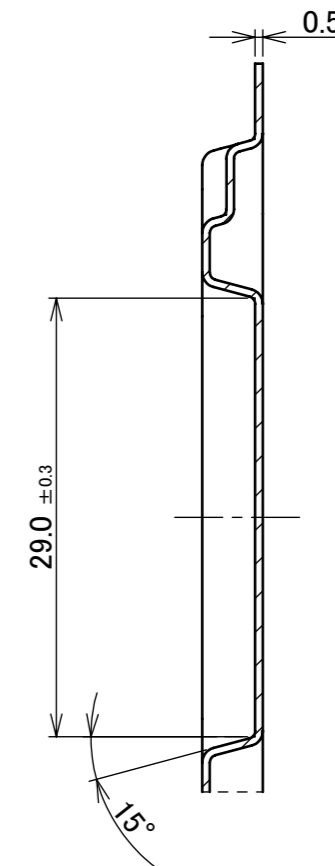
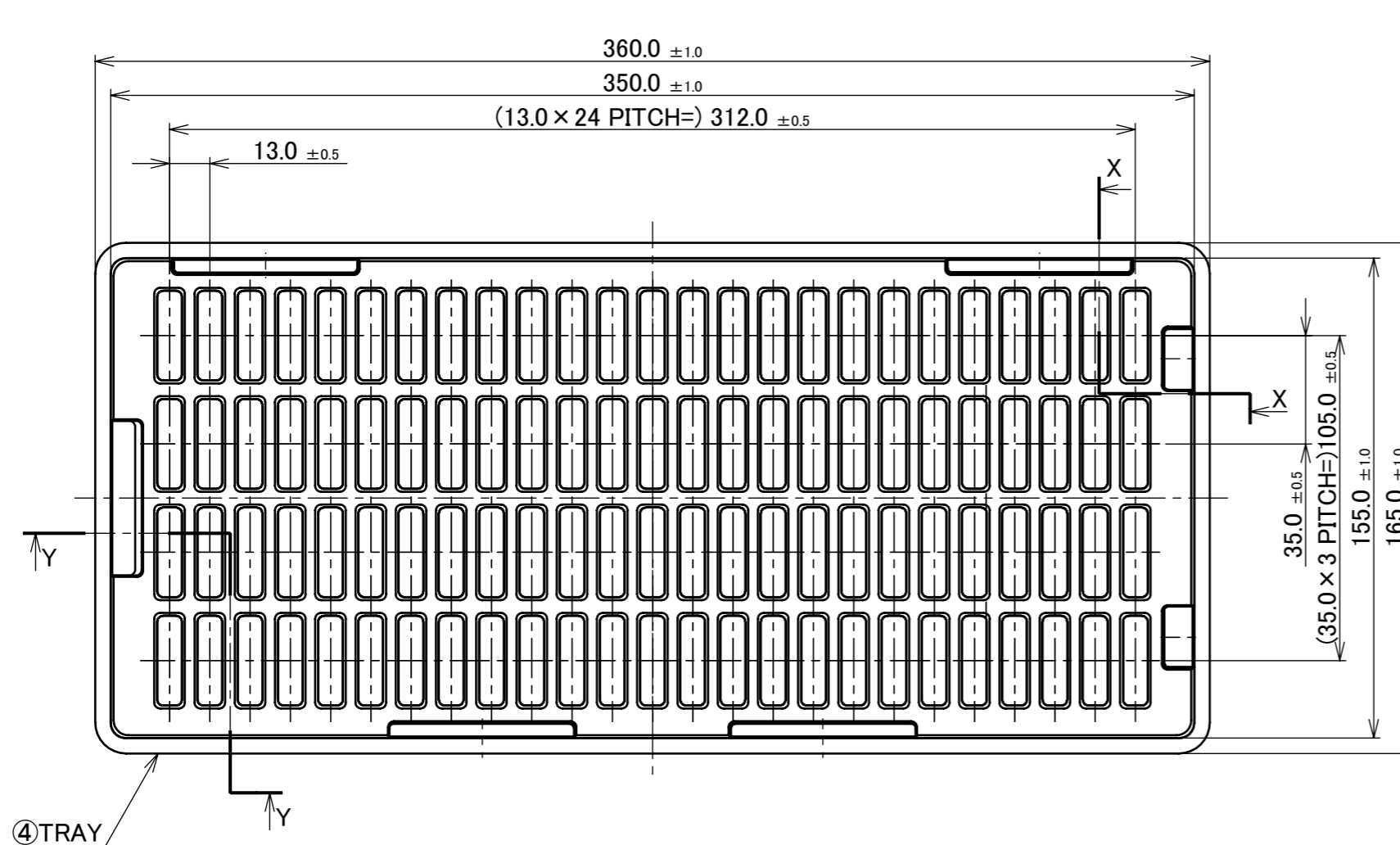
REV.	ECN	BY	DATE	APP.	APP.	CHK.	DATE	APP.	CHK.	DATE	PROJECTION	SERIES No.	TITLE	SCALE	SIZE	SHEET	REV.
REVISION RECORD												R3	CUSTOMER COPY	5:1	A3	1/2	2
2	Z210519	T.M	May/19/'21	H.I	DWG.	T.Masunaga	2019/01/10	GENERAL TOLERANCE.				R3	CABLINE® -UM PLUG HOUSING ASS'Y	5:1	A3	1/2	2
1	Z200040	T.M	Jan./14/'20	H.I	DWG.	T.Masunaga	2019/01/10	GENERAL TOLERANCE.				R3	CABLINE® -UM PLUG HOUSING ASS'Y	5:1	A3	1/2	2
0	Z190029	T.M	Jan./10/'19		CHK.	-		GENERAL TOLERANCE.				R3	CABLINE® -UM PLUG HOUSING ASS'Y	5:1	A3	1/2	2
					APP.	H.Ikari		GENERAL TOLERANCE.				R3	CABLINE® -UM PLUG HOUSING ASS'Y	5:1	A3	1/2	2

Confidential C

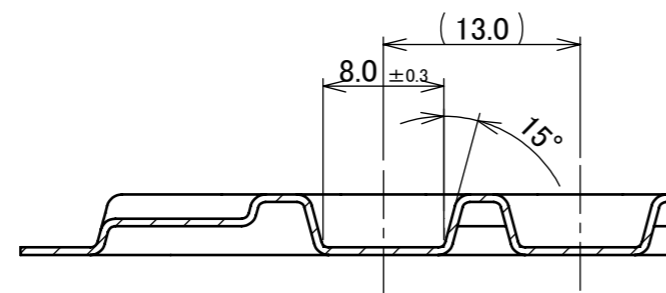
I-PEX Inc.

QKE-DFE06-02 REV.12

PART NO.	QTY. IN DITCH (PIECES / DITCH)	QTY. IN TRAY (PIECES / TRAY)	QTY. IN SHIPPING CARTON (TRAY / S CARTON)	QTY. IN PACKING CARTON (S CARTON / P CARTON)	PACKING STANDARD
20878-030T-01	1	100 / TRAY	20 / S CARTON = 2000	4 / P CARTON = 8000	PST-18044
20878-040T-01					



SECT X-X
(S=2/1)



SECT Y-Y
(S=2/1)

NO.	DESCRIPTION	MATERIAL	FINISH, REMARKS
4	TRAY	PP	ANTI-STATIC TYPE

ANGLE	±2°	6 OVER 30 MAX.	±0.3	PROJECTION ⊕	SERIES No. R3	CUSTOMER COPY
6 MAX.	±0.2	30 OVER 120 MAX.	±0.5			
GENERAL TOLERANCE.				TITLE CABLIN® -UM PLUG HOUSING ASS'Y	SCALE 1:2	UNIT mm
DWG.	DATE					
CHK.						
APP.						
DWG. No.	20878			SIZE A3	SHEET 2/2	REV. 2