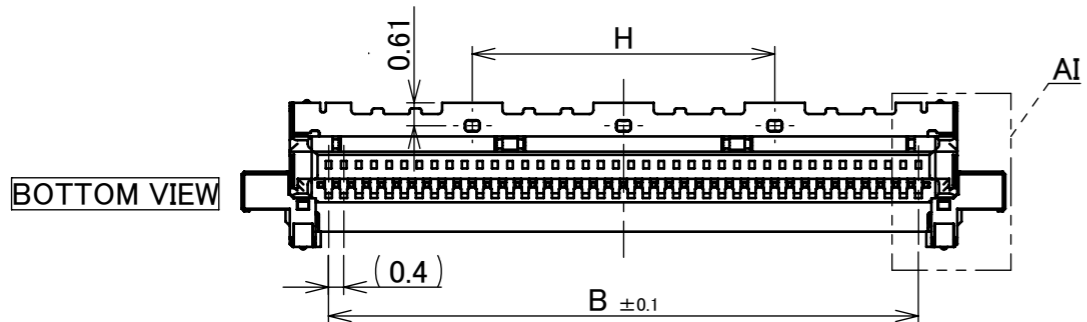
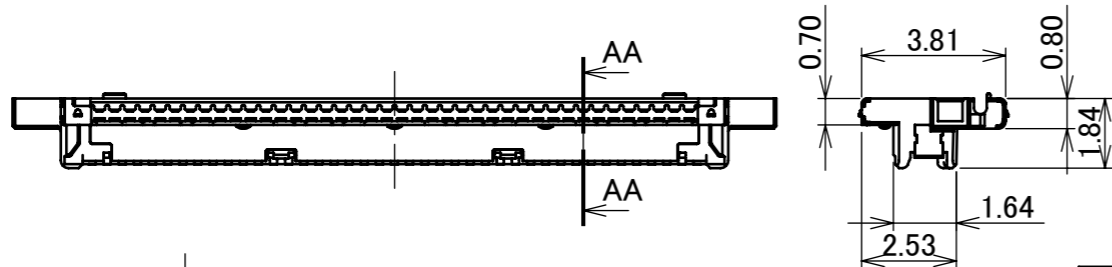
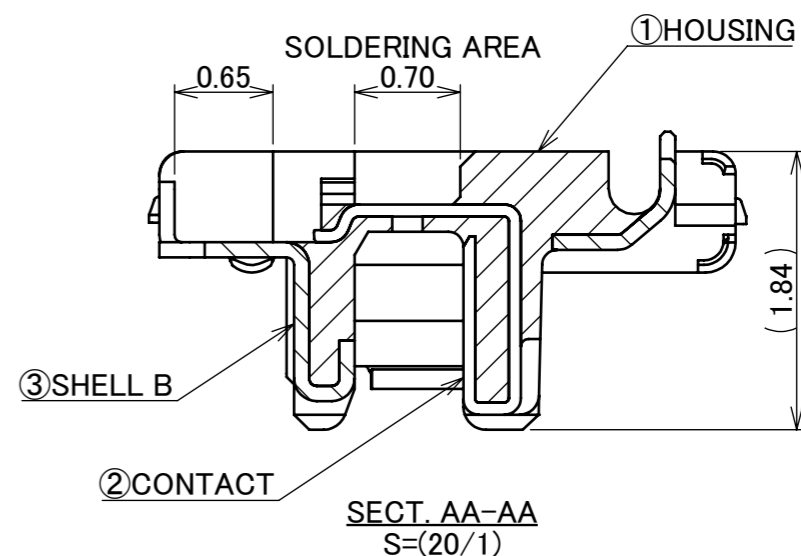
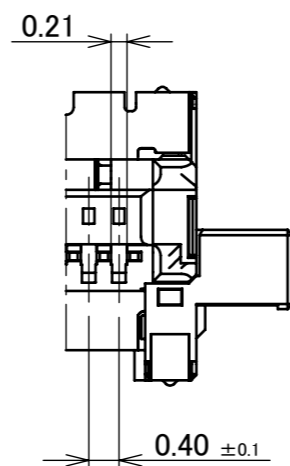
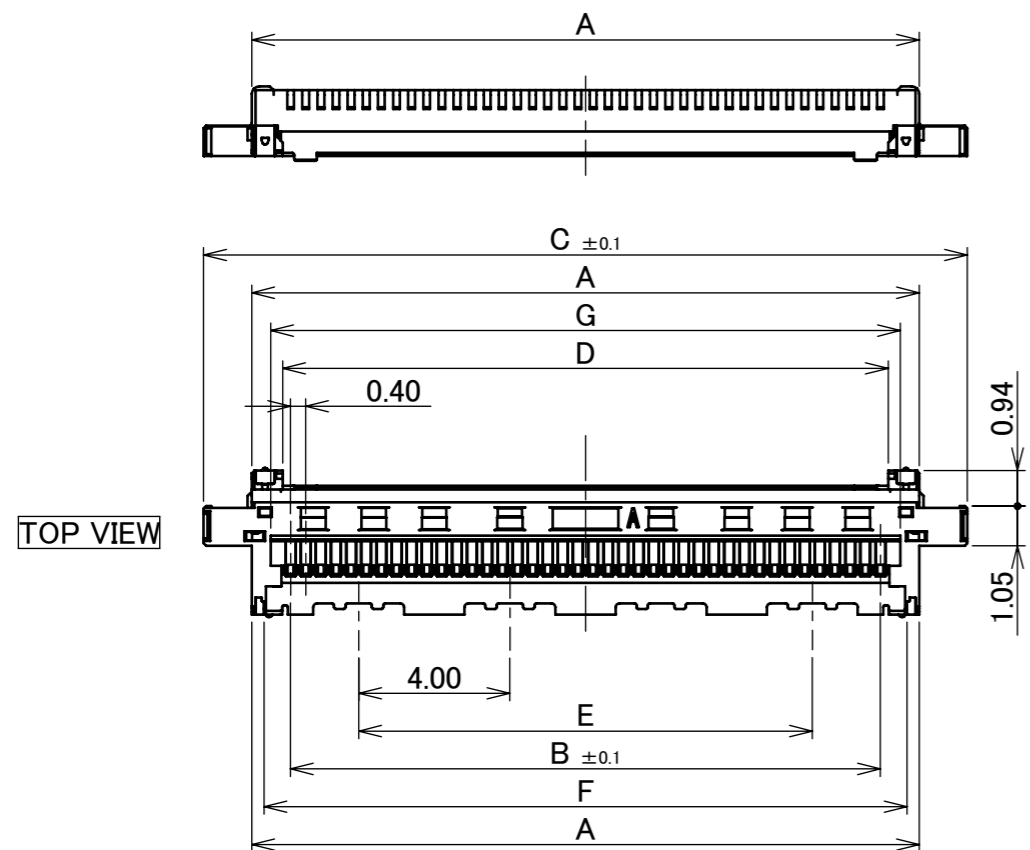
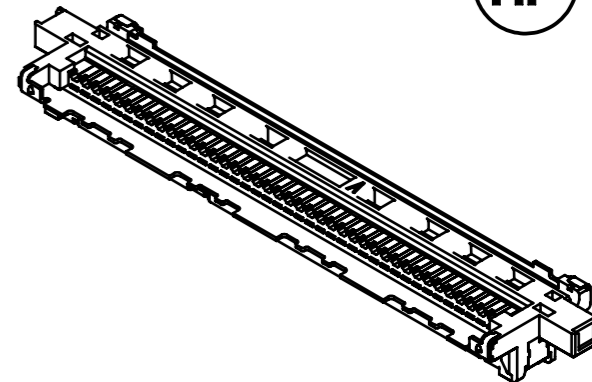


Recommended P/N 20878-0**T-01

PART No.	Pos.	A	B	C	D	E	F	G	H
20878-030T-01	30	13.65	11.60	16.20	12.01	8.00	13.00	12.65	4.0
20878-040T-01	40	17.65	15.60	20.20	16.01	12.00	17.00	16.65	8.0



PATENT PENDING



NO.	DISCRIPTION	MATERIAL	FINISH , REMARKS
3	SHELL A	PHOSPHOR BRONZE	PARTIAL Au 0.003 μ m MIN. OVER Ni 1.00 μ m MIN.
2	CONTACT	CORSON ALLOY	ALL OVER Ni 1.00 μ m MIN. CONTACT & SOLDERING AREA : Au 0.03 μ m MIN.
1	HOUSING	LCP	UL94V-0 ,BLACK

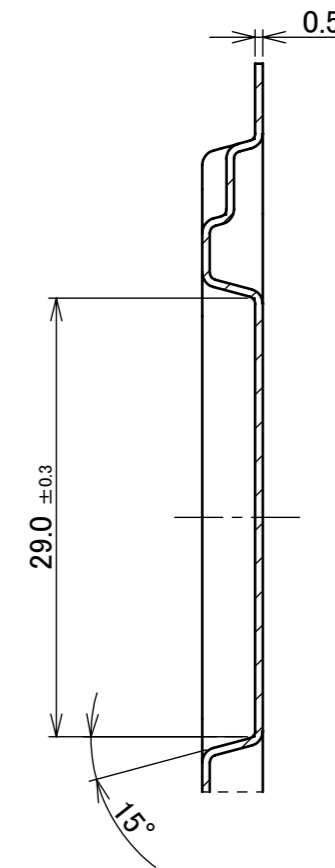
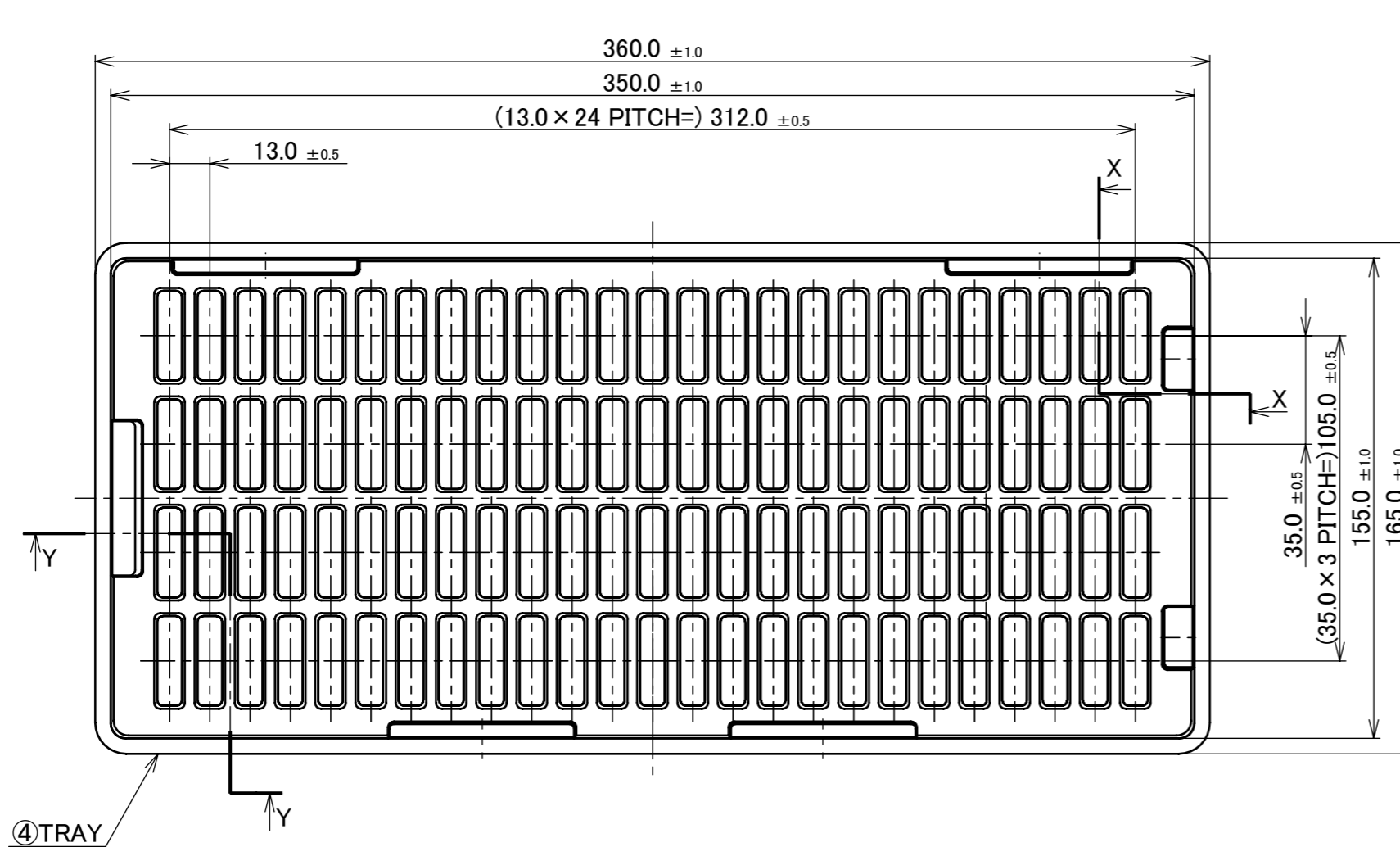
REV.	ECN	BY	DATE	APP.	DATE	DWG. No.	20878	SIZE	A3	SHEET	1/2	REV.	1
REVISION RECORD					H.Ikari	2019/01/11	DWG. No. 20878		SIZE A3		SHEET 1/2		REV. 1
GENERAL TOLERANCE.						PROJECTION		SERIES No. R3		CUSTOMER COPY			
1 Z200040 T.M Jan./14/'20 H.I						TITLE		SCALE		I-PEX			
0 Z190029 T.M Jan./10/'19						CABLIN [®] -UM		5:1					
DWG. T.Masunaga DATE 2019/01/10						PLUG HOUSING ASS'Y		UNIT					
CHK. DATE						DWG. No. 20878		mm					

Confidential C

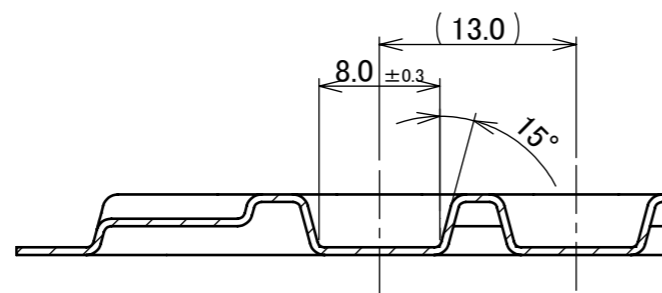
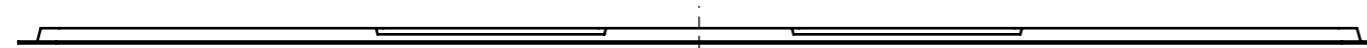
I-PEX Inc.

QKE-DFFDE06-02 REV.11

PART NO.	QTY. IN DITCH (PIECES / DITCH)	QTY. IN TRAY (PIECES / TRAY)	QTY. IN SHIPPING CARTON (TRAY / S CARTON)	QTY. IN PACKING CARTON (S CARTON / P CARTON)	PACKING STANDARD
20878-030T-01	1	100 / TRAY	20 / S CARTON = 2000	4 / P CARTON = 8000	PST-18044
20878-040T-01					



SECT X-X
(S=2/1)



SECT.Y-Y
(S=2/1)

4	TRAY	PP	ANTI-STATIC TYPE
NO.	DISCRIPTION	MATERIAL	FINISH , REMARKS

ANGLE	±2°	6 OVER 30 MAX.	±0.3	PROJECTION ⊕	SERIES No. R3	CUSTOMER COPY
6 MAX.	±0.2	30 OVER 120 MAX.	±0.5			
GENERAL TOLERANCE.				TITLE	SCALE	I-PEX
DWG.	DATE			CABLIN [®] -UM PLUG HOUSING ASS'Y	1:2	
CHK.	DATE				UNIT mm	
APP.	DATE			DWG. No. 20878	SIZE A3	
					SHEET	2/2
					REV.	1