

Recommended P/N 3493-0**1

PART NO.	Pos.	A	B	C	D
3493-0301	30	17.00	14.05	12.40	15.30
3493-0401	40	21.00	18.05	16.40	19.30
3493-0601	60	29.00	26.05	24.40	27.30

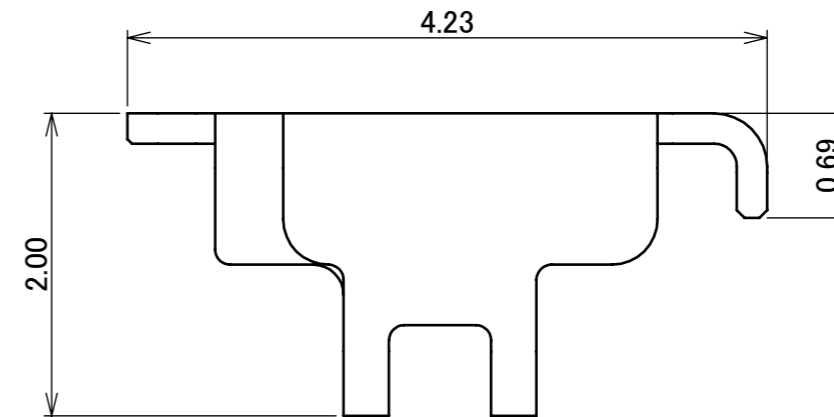
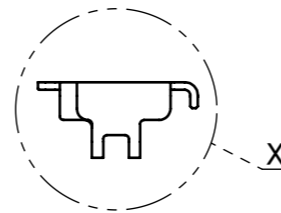
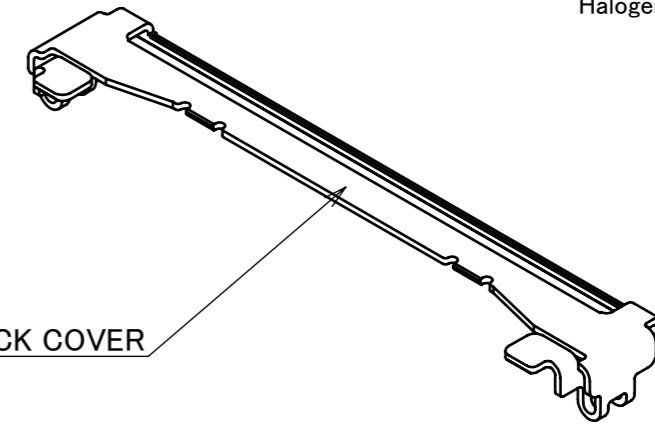
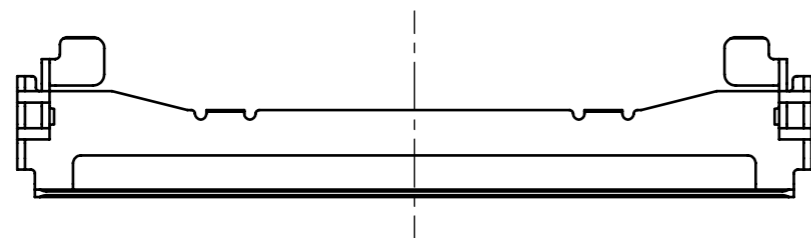
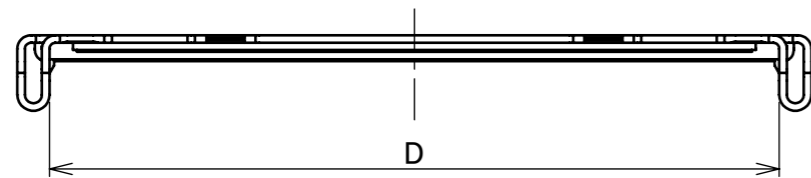
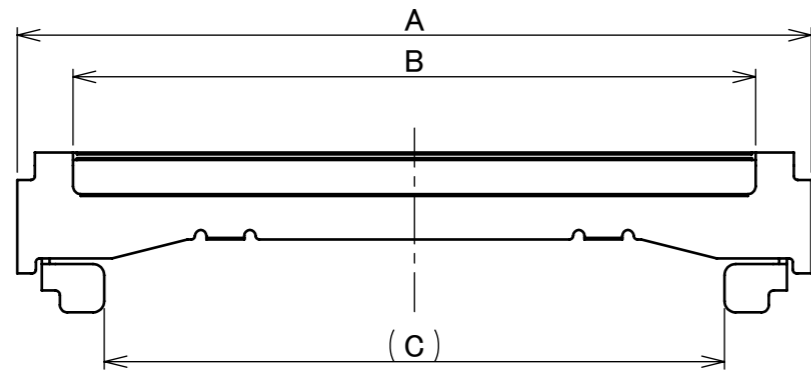
PATENT PENDING



Halogen Free



RoHS Compliant

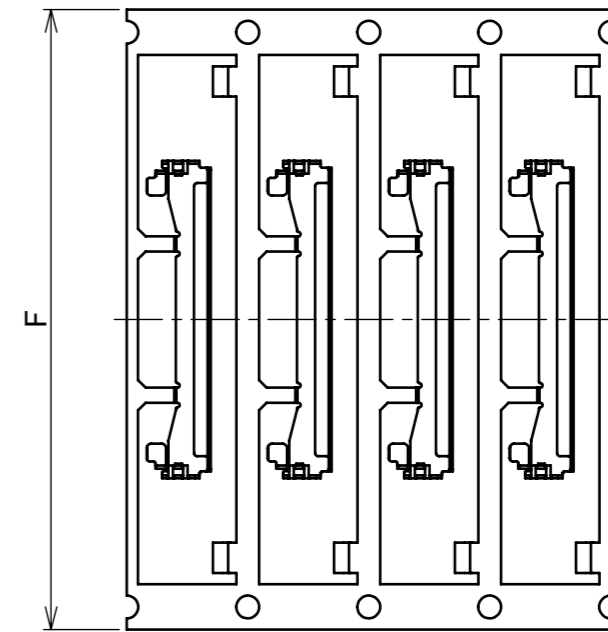
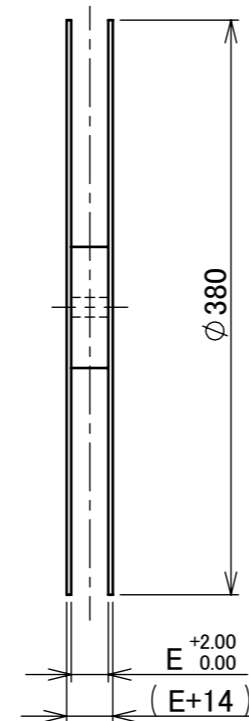
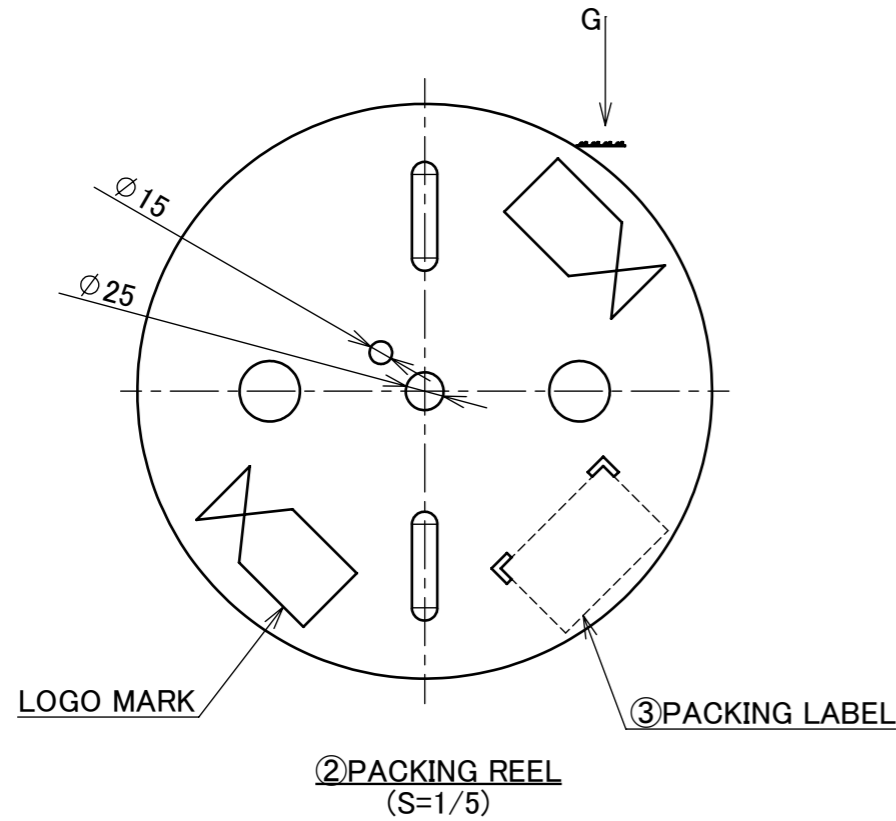


DETAIL X
(S=20 : 1)

NO.	DISCRIPTION	MATERIAL	FINISH , REMARKS
1	LOCK COVER	PHOSPHOR BRONZE	ALL OVER Ni 1.00 μ m MIN.

REV.	ECN	BY	DATE	APP.	APP.	DATE	DWG. No.	SIZE	SHEET	REV.
3	Z211301	T.M	Nov./01/'21	H.I	H.Ikari	2019/01/11	3493	A3	1/2	3
2	Z200040	T.M	Jan./14/'20	H.I						
1	Z190251	T.M	Feb./21/'19	Y.S						
0	Z190029	T.M	Jan./10/'19							

PART No.	Pos.	E	F	QTY. PER EMBOSS REEL (PIECES / REEL)	QTY. PER PACKING CARTON (REELS / CARTON)	PACKING STANDARD
3493-0301	30	45.00	41.00	4000/ REEL	3 / CARTON = 12000	PST-18046
3493-0401	40	45.00	41.00			
3493-0601	60	55.00	49.00			



VIEW G
(S=2:1)

NO.	DISCRIPTION	MATERIAL	FINISH , REMARKS
3	PACKING LABEL	-	-
2	PACKING REEL	CARDBOARD	-

ANGLE	±2°	6 OVER 30 MAX.	±0.3	PROJECTION	SERIES No.	CUSTOMER COPY			
6 MAX.	±0.2	30 OVER 120 MAX.	±0.5		R2	<div style="text-align: center; font-size: 2em; font-weight: bold;">I-PEX</div>			
GENERAL TOLERANCE.				TITLE					SCALE
DWG.	DATE			CABLINE® -UM PLUG LOCK COVER					1:5
CHK.									UNIT
APP.				DWG. No.		mm	SIZE	SHEET	REV.
				3493		A3	2/2	3	