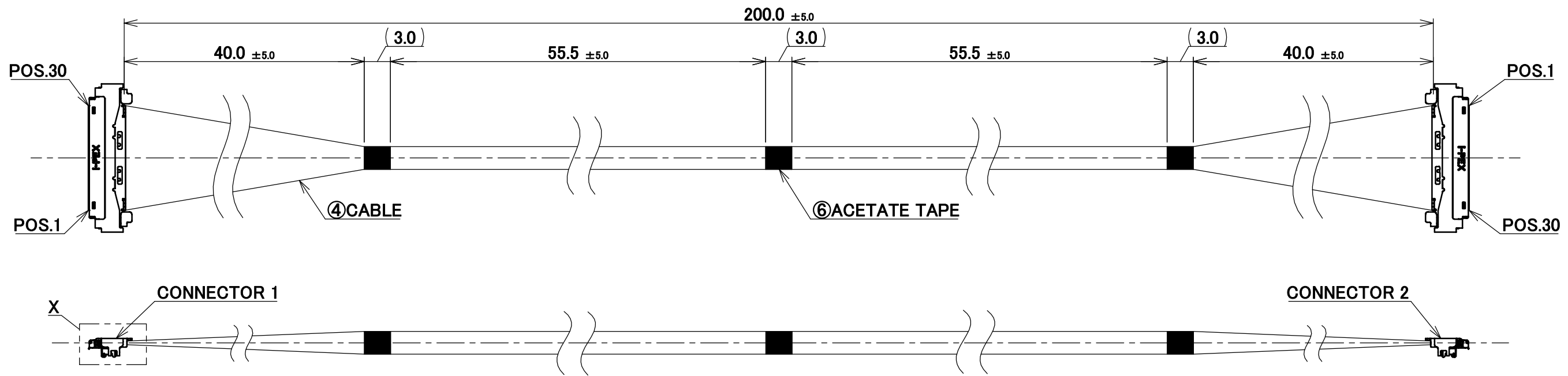
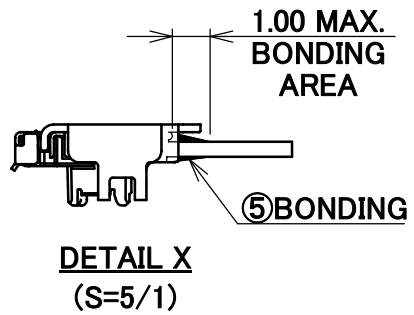
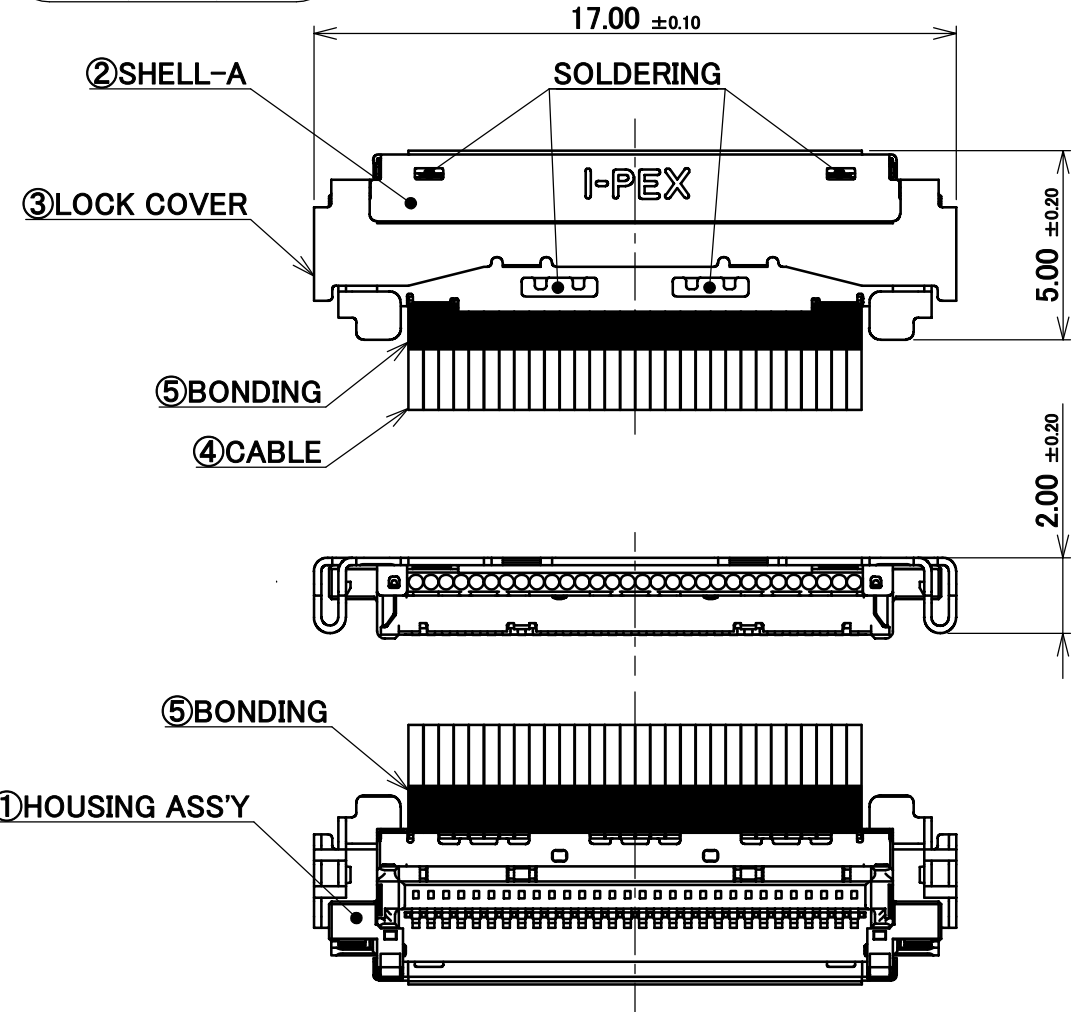


PART No.
81465-100B-02-D



CONNECTOR 1&2
(S=5/1)



NOTE.
1. TO HANDLE THIS CONNECTOR YOU MUST READ AND FOLLOW THE INSTRUCTION MANUAL BELOW. I-PEX INSTRUCTION MANUAL No.HIM-18033.
2. ELECTRIC CHARACTERISTICS
WITHSTANDVOLTAGE : AC 250V(1SEC.) LEAKAGE CURRENT 2.0mA MAX.
INSULATION RESISTANCE : 50MΩ MIN. DC 100V (0.5SEC.)
3. THE OPERATING TEMPERATURE OF THE HARNESS : 80°C MAX.

PIN ASSIGNMENT		
CONNECTOR 1	CABLE	CONNECTOR 2
30	MICRO-COAXIAL CABLE AWG#40 50 OHM, BLUE	1
29	MICRO-COAXIAL CABLE AWG#40 50 OHM, BLUE	2
.	MICRO-COAXIAL CABLE AWG#40 50 OHM, BLUE	.
2	MICRO-COAXIAL CABLE AWG#40 50 OHM, BLUE	29
1	MICRO-COAXIAL CABLE AWG#40 50 OHM, BLUE	30

NO.	DESCRIPTION	PARTS NO.	QTY	REMARKS
6	ACETATE TAPE	-	3	BLACK
5	BONDING	-	-	UV GLUE
4	CABLE	-	30	MICRO-COAXIAL CABLE AWG#40 50 OHM, BLUE
3	LOCK COVER	3493-0301	2	CONNECTOR 1&2
2	SHELL-A	3488-0301	2	CABLIN [®] -UM PLUG P/N : 20877-030T-01 CONNECTOR TO BE MATED : 20879-030E-01
1	HOUSING ASS'Y	20878-030T-01	2	

REVISION RECORD					GENERAL TOLERANCE.		PROJECTION		SERIES No.		CUSTOMER COPY		
3	Z231133	R.T	Sept./20/'23	H.I	ANGLE	±2°	6 OVER 30 MAX.	±0.3	IH-200016	IH-200016	SCALE	2:1	
2	Z210554	K.B	May/27/'21	H.I	6 MAX.	±0.2	30 OVER 120 MAX.	±0.5					TITLE
1	Z200980	K.B	Sept./18/'20	H.I	DWG.	K.Baba		DATE	2020/09/02	SIZE	mm	SHEET	
0	Z200915	K.B	Sept./02/'20	CHK.	R.Takei		DWG. No.	81465	A3				1/1
REV.	ECN	BY	DATE	APP.	H.Ikari								

Confidential C

I-PEX Inc.

QKE-DFE06-02 REV.12