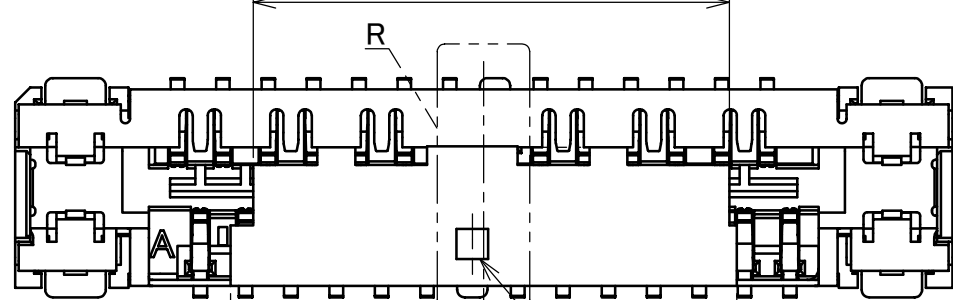
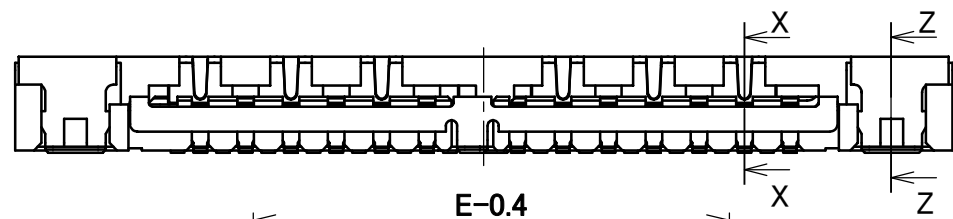
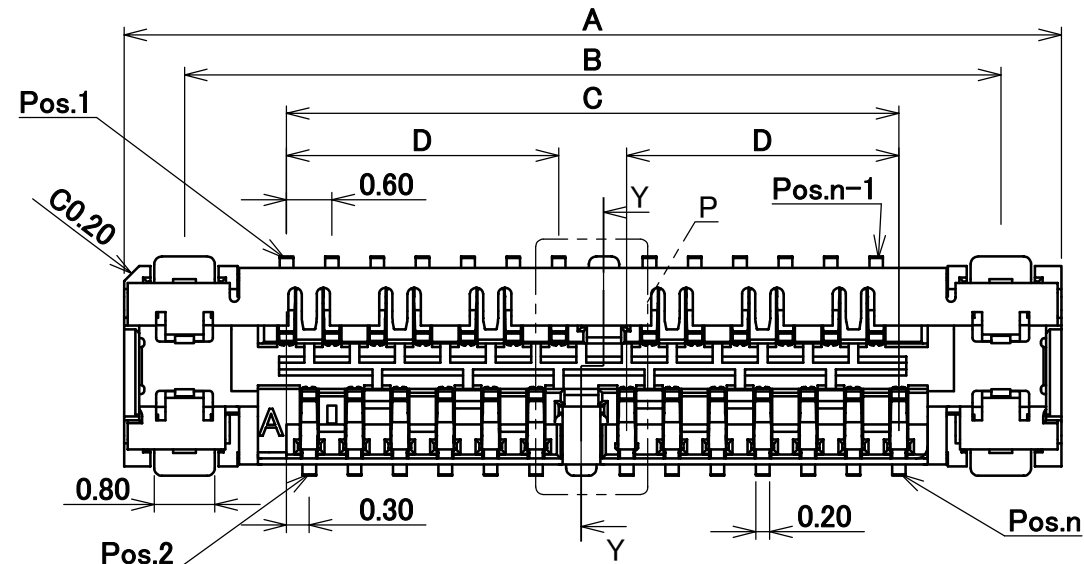


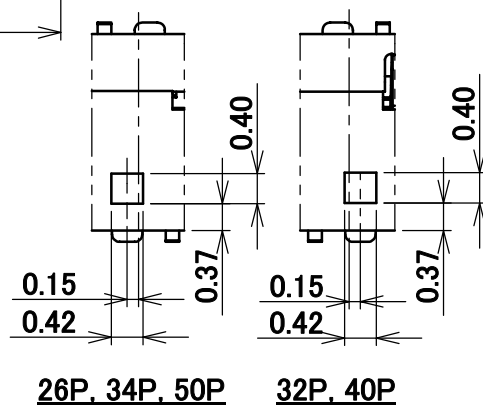
Recommended P/N 20498-0E-41**

PART No.	Pos.	A	B	C	D	E
20498-*26E-##	26	12.4	10.8	8.1	3.6	6.7
20498-*32E-##	32	14.2	12.6	9.9	4.5	10.9
◆ 20498-*34E-##	34	14.8	13.2	10.5	4.8	11.5
20498-*40E-##	40	16.6	15.0	12.3	5.7	10.9
20498-*50E-##	50	19.6	18.0	15.3	7.2	11.5

◆ MARK MEANS NOT AVAILABLE (ALL)



WITH VACUUM CLIP



DETAIL R

20498-***E-##

- 0 : WITHOUT VACUUM CLIP
- 1 : WITH VACUUM CLIP
- 3 : SHELL Au PLATING
- 4 : SHELL Sn PLATING

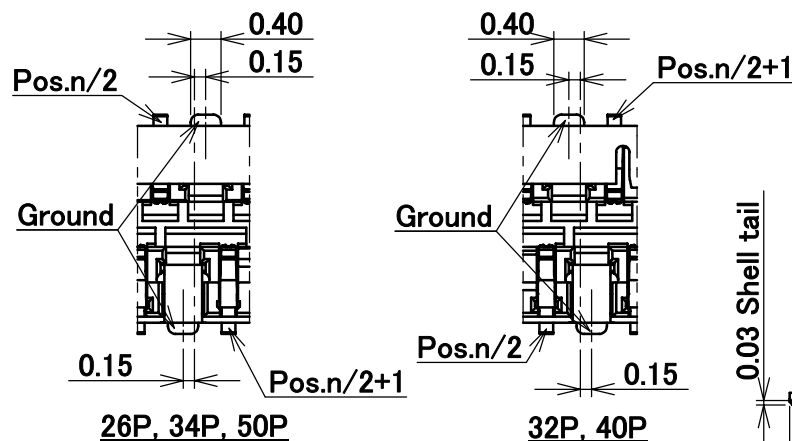
Pos.

HOUSING MATERIAL

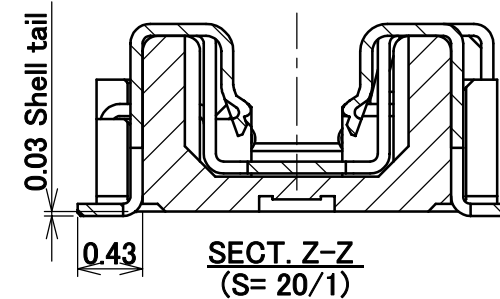
- 0 : LCP
- R : LCP (RED PHOSPHORUS FREE)



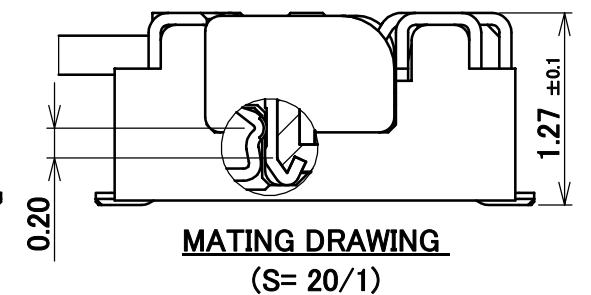
PART COMBINATION TABLE	
RECEPTACLE ASS'Y	PLUG CABLE ASS'Y
20498-0**E-3#	20496-0**-30
20498-R**E-3#	20496-R**-30
20498-0**E-4#	20496-0**-40
20498-R**E-4#	20496-R**-40



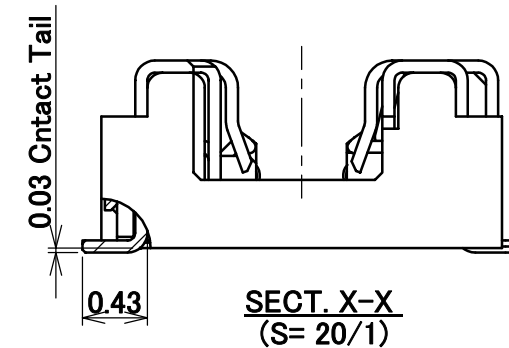
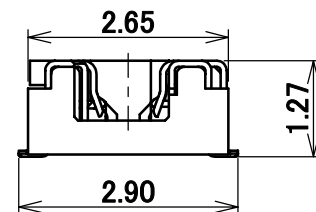
DETAIL P



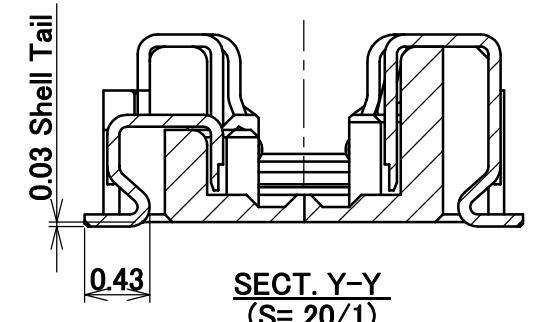
SECT. Z-Z (S= 20/1)



MATING DRAWING (S= 20/1)



SECT. X-X (S= 20/1)

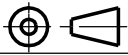


SECT. Y-Y (S= 20/1)

NO.	DISCRIPTION	MATERIAL	FINISH , REMARKS
4	VACUUM CLIP	LCP	
3	SHELL	PHOSPHOR BROMZE	P/N 20498-***E-3#: Au 0.02 μ m MIN. OVER Ni 1.00 μ m MIN. P/N 20498-***E-4#: Sn 2.00 μ m MIN. OVER Ni 1.00 μ m MIN.
2	CONTACT	PHOSPHOR BRONZE	ALL OVER : Ni 1.00 μ m MIN. CONTACT AREA : Au 0.1 μ m MIN. SOLDERING AREA : Au 0.05 μ MIN.
1	HOUSING	LCP	

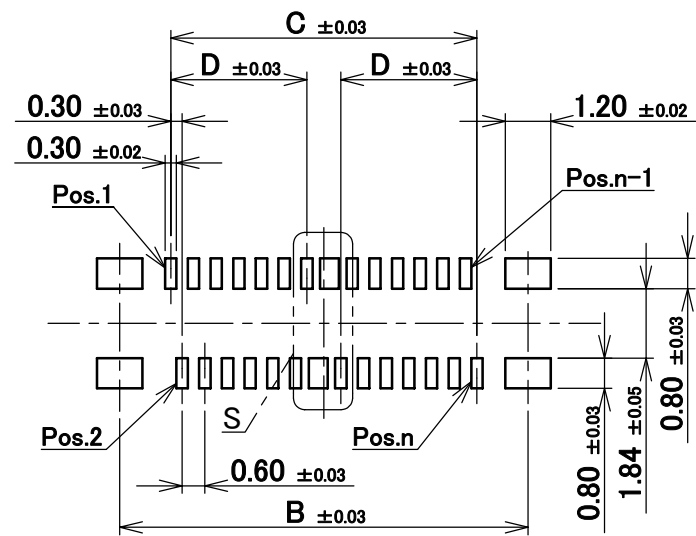
REV.	ECN	BY	DATE	APP.	APP.	DATE	DWG. No.	SIZE	SHEET	REV.
17	Z211184	R.H	Sept./30/21	H.I	ANGLE	±2°	6 OVER 30 MAX.	±0.3		
16	Z191021	S.Y	Aug./01/'19	H.I	6 MAX.	±0.2	30 OVER 120 MAX.	±0.5		
15	Z190779	S.Y	June/12/'19	H.I	GENERAL TOLERANCE.					
14	Z181009	T.O	July/31/'18	H.I	DWG.	J.Ohsaka	DATE	2008/11/28		
13	Z180161	R.H	Feb./08/'18	M.T	CHK.					
12	Z170878	K.T	Aug./02/'17	M.T	APP.	E.Kawabe	DATE	2008/12/02		

ITEMS	SPECIFICATION
APPLICABLE CABLE	MICRO COAX : AWG# 46 , 44 , 42 DISCRETE : AWG# 39
RATING VOLTAGE	50V AC (PER CONTACT)
RATING AMPERAGE (FOR CONTACT)	0.50A AC/DC [AWG#39] (PER CONTACT / UP TO 10 CONTACTS) 0.20A AC/DC [AWG#42] 0.19A AC/DC [AWG#44] 0.15A AC/DC [AWG#46] ※ TESTING BY A REAL MACHINE IS RECOMENDED BECAUSE TEMPERATURE RISE MAY AFFECTED BY ACTUAL SITUATION
OPERATING TEMPERATURE	233~358K(-40°C~+85°C)
OPERATING HUMIDITY	85% MAX.(NON-CONDENSING)
CONTACT RESISTANCE	INITIAL : 450mohm MAX.(AWG#39) 700mohm MAX.(AWG#42) 1080mohm MAX.(AWG#44) 1880mohm MAX.(AWG#46) AFTER TEST : \triangle 40mohm MAX.
GROUND CONTACT RESISTANCE	INITIAL : 100mohm MAX. / AFTER TEST : \triangle 40mohm MAX.
INSULATION RESISTANCE	INITIAL : 100Mohm MIN. / AFTER TEST : 100Mohm MIN.
DIELECTRIC WITHSTANDING VOLTAGE	AC100V 1min
DURABILITY	20 CYCLES
MATING FORCE (INITIAL / 20 CYCLES)	26P : 28.0N MAX. 32P : 34.5N MAX. 40P : 40.0N MAX. 50P : 50.0N MAX.
UNMATING FORCE (INITIAL / 20 CYCLES)	26P : 3.0N MIN. 32P : 3.0N MIN. 40P : 3.0N MIN. 50P : 3.0N MIN.
COPLANARITY	0.10MAX
CABLE RETENTION FORCE	15.0N MIN. (AWG# 44)
PRODUCT SPECIFICATION	PRS-1469
TEST REPORT	TR-09032
PACKING STANDARD	300-697
INSTRUCTION MANUAL	HIM-09006
ASSEMBLY MANUAL	ASM-09004
APPEARANCE CRITERIA No.	QLS-A***

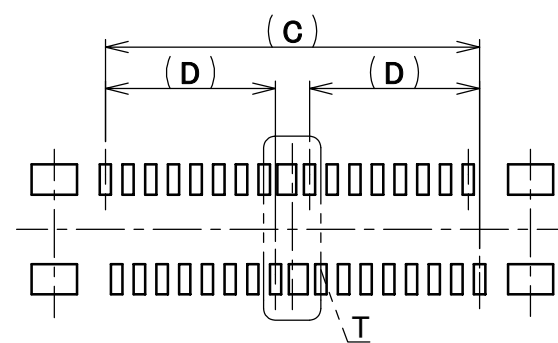
ANGLE	$\pm 2^\circ$	6 OVER 30 MAX.	± 0.3	PROJECTION 	SERIES No. R3	CUSTOMER COPY		
		6 MAX.	± 0.2					
GENERAL TOLERANCE.				TITLE CABLINE®-UA II RECEPTACLE ASS'Y	SCALE 5:1	I-PEX		
DWG.	DATE							
CHK.								
APP.								
				DWG. No.	20498	SIZE A3	SHEET 2/5	REV. 17

	PART No.	Pos.	A	B	C	D
	20498-*26E-##	26	12.4	10.8	8.1	3.6
	20498-*32E-##	32	14.2	12.6	9.9	4.5
◆	20498-*34E-##	34	14.8	13.2	10.5	4.8
	20498-*40E-##	40	16.6	15.0	12.3	5.7
	20498-*50E-##	50	19.6	18.0	15.3	7.2

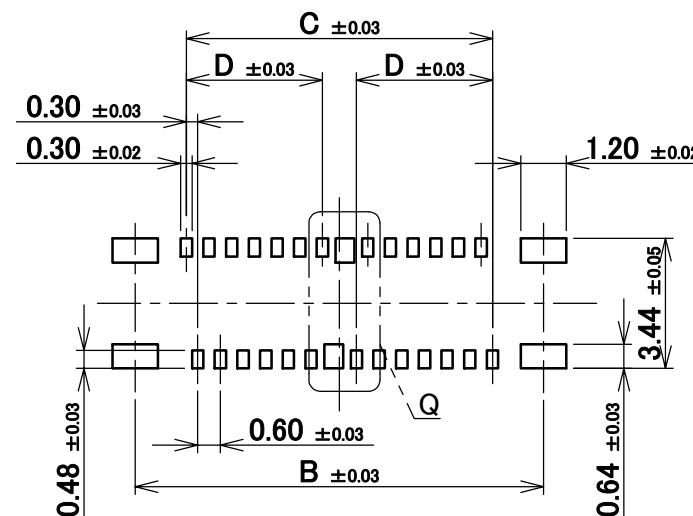
◆ MARK MEANS NOT AVAILABLE (ALL)



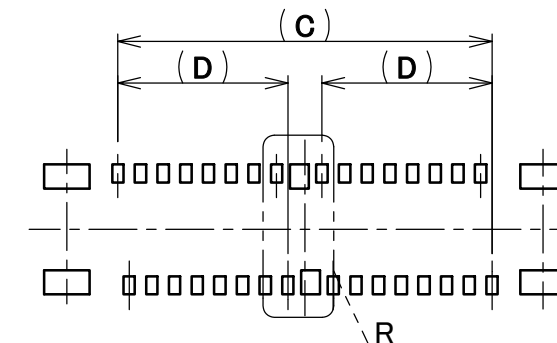
26P, 34P, 50P



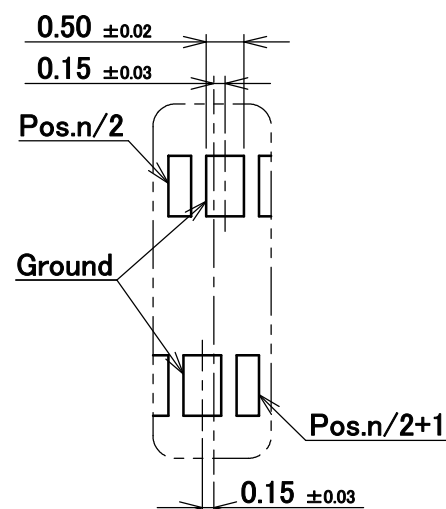
32P, 40P



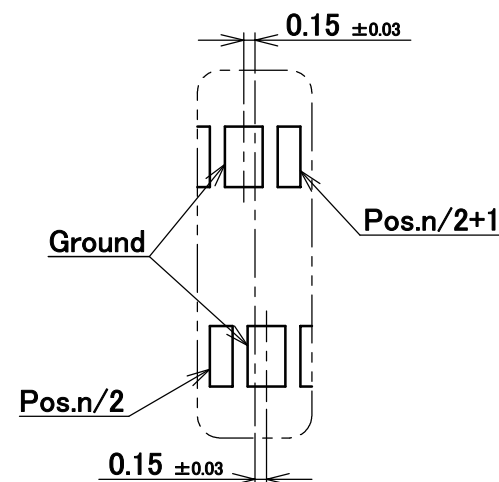
26P, 34P, 50P



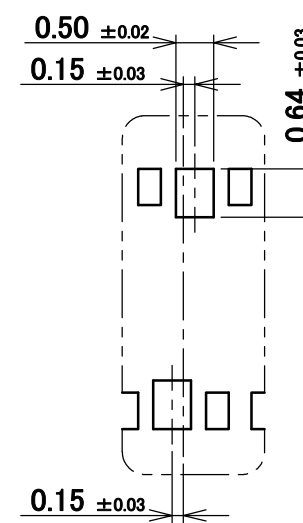
32P, 40P



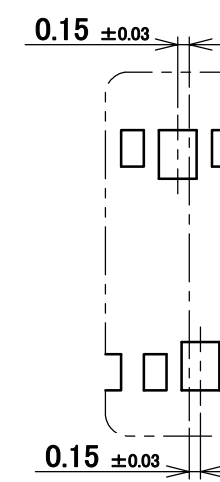
DETAIL S
(S= 10/1)



DETAIL T
(S= 10/1)



DETAIL Q
(S= 10/1)



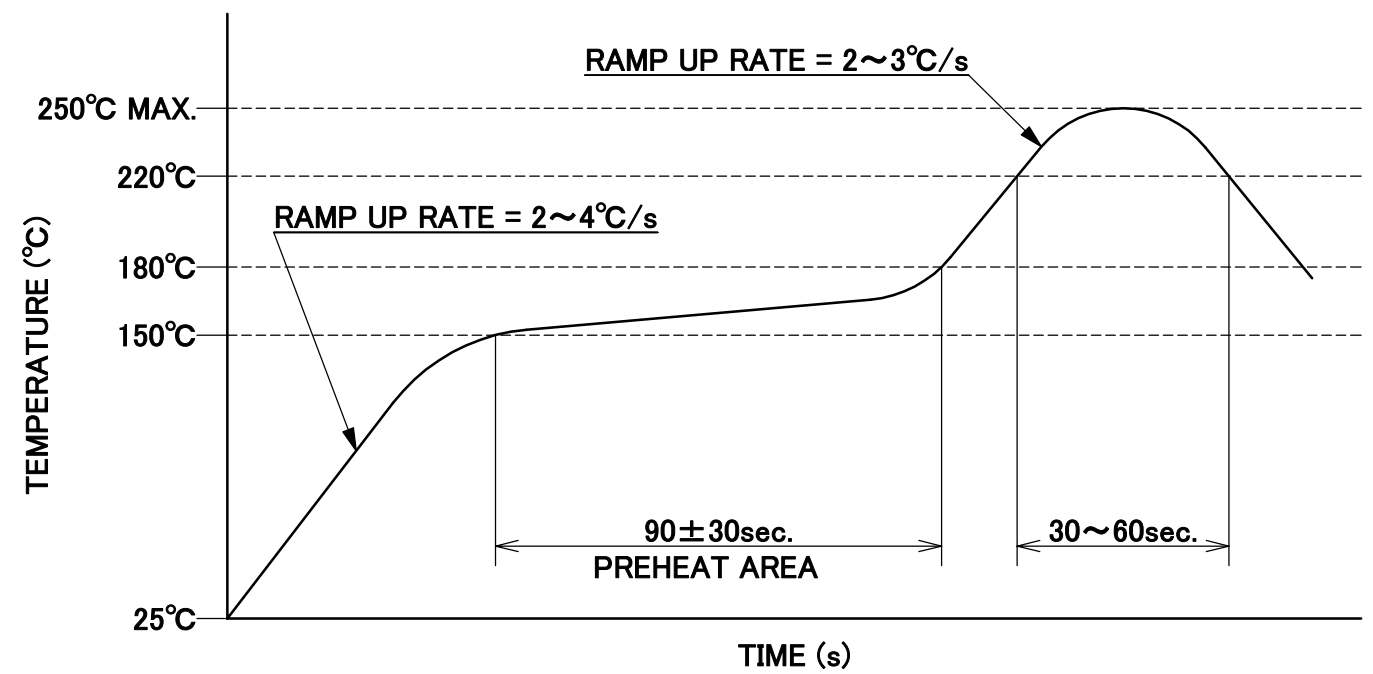
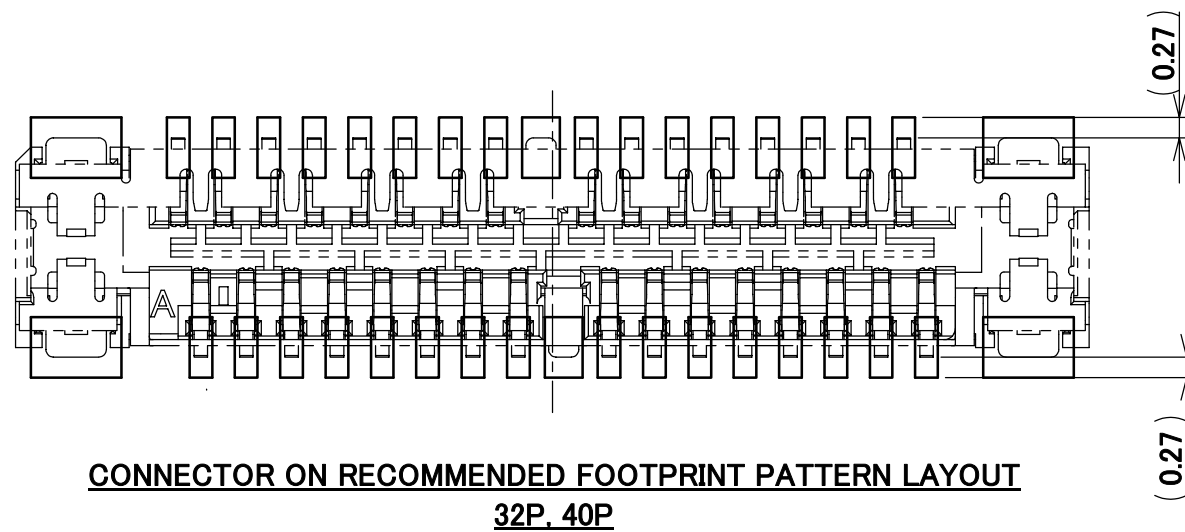
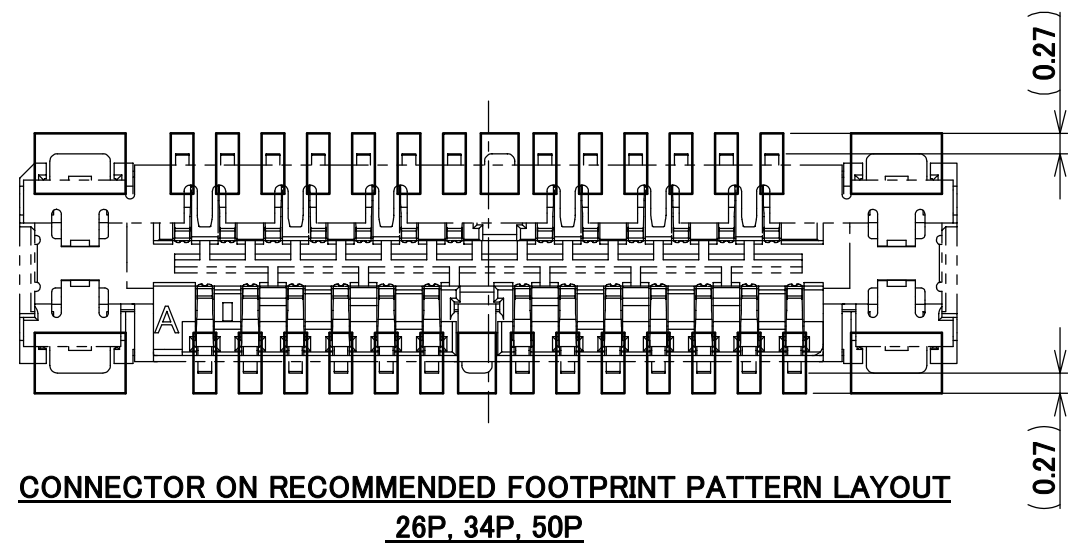
DETAIL R
(S= 10/1)

RECOMMENDED FOOTPRINT PATTERN LAYOUT

RECOMMENDED FOOTPRINT METAL MASK LAYOUT
METAL MASK THICKNESS : t=0.12 mm

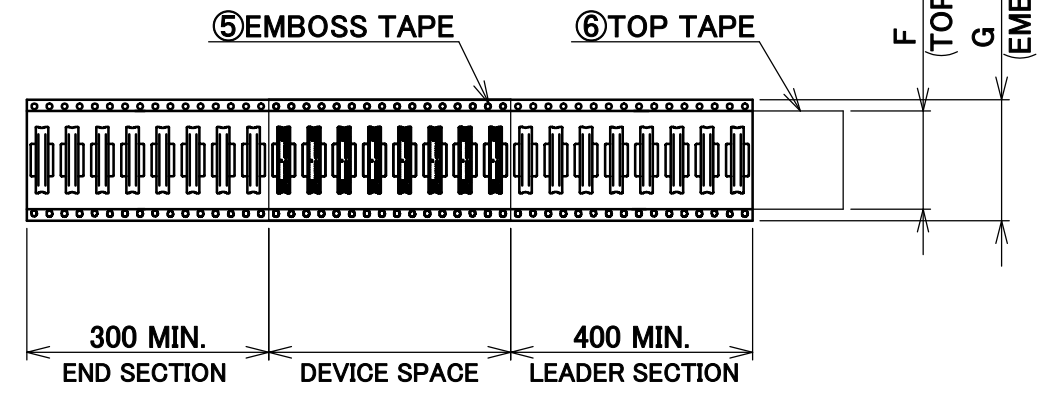
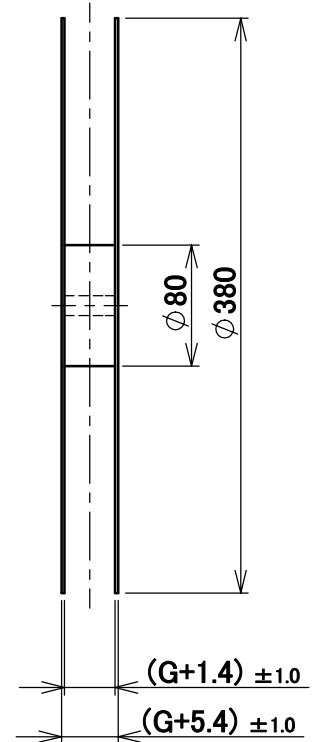
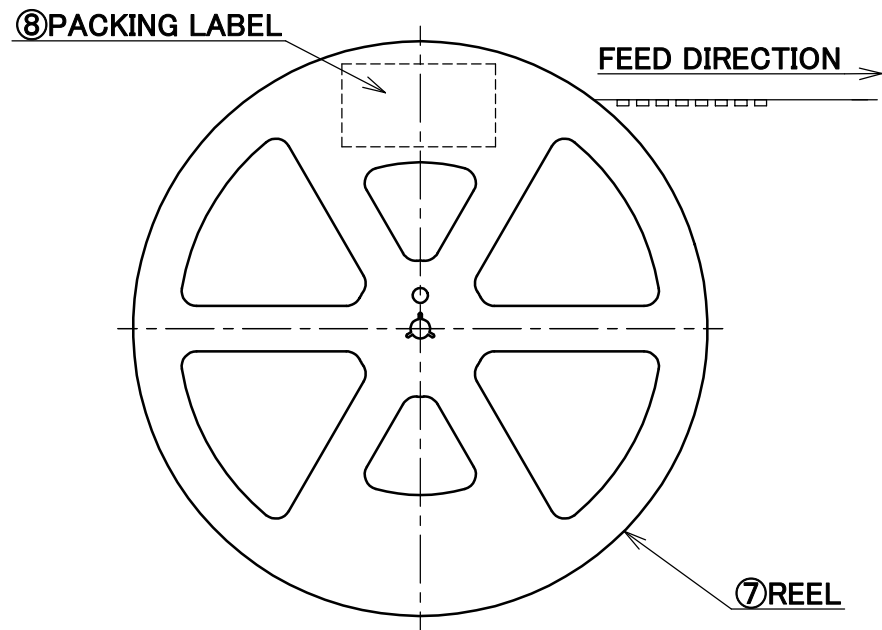
- NOTES.
1. THIS AREA CANNOT MOUNT ANOTHER COMPONENTS.
2. SOLDER RESIST SHALL BE APPLIED TO PREVENT SHORT CIRCUITS WHEN PLACING SIGNAL LINES ON GROUND AREA.

ANGLE	±2°	6 OVER 30 MAX.	±0.3	PROJECTION ⊕	SERIES No. R3	CUSTOMER COPY			
	6 MAX.	±0.2	30 OVER 120 MAX.						±0.5
GENERAL TOLERANCE.				TITLE		SCALE	I-PEX		
DWG.	DATE			CABLIN [®] -UA II RECEPTACLE ASS'Y		5:1			
CHK.						UNIT			
APP.						mm			
				DWG. No.	20498	SIZE	SHEET	REV.	
						A3	3/5	17	

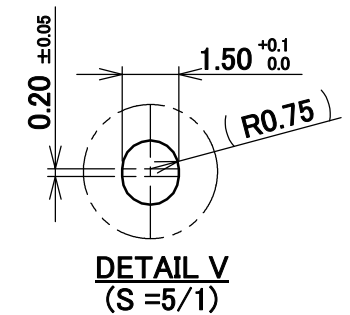


ANGLE	±2°	6 OVER 30 MAX.	±0.3	PROJECTION ⊕	SERIES No. R3	CUSTOMER COPY			
6 MAX.	±0.2	30 OVER 120 MAX.	±0.5						
GENERAL TOLERANCE.				TITLE		SCALE	I-PEX		
DWG.	DATE			CABLIN [®] -UA II RECEPTACLE ASS'Y		10:1			
CHK.						UNIT mm			
APP.				DWG. No.	20498	SIZE A3	SHEET 4/5	REV. 17	

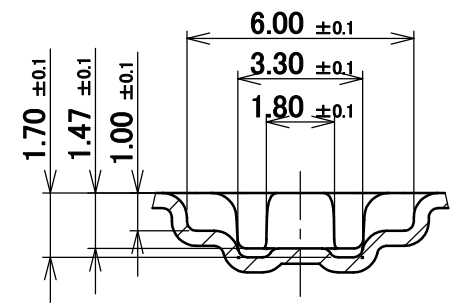
DEVICE P/N	F	G	H	J	K	L	M	QTY. PER EMBOSS REEL (PIECES / REEL)	QTY. PER PACKING CARTON (REELS / CARTON)
20498-026E-##	21.3	24.0	11.5	-	13.4	12.8	9.35	5000 / REEL	4 / CARTON = 20000
20498-032E-##	21.3	24.0	11.5	-	15.2	14.6	11.15	5000 / REEL	4 / CARTON = 20000
◆ 20498-034E-##	21.3	24.0	11.5	-	15.8	15.2	11.75	5000 / REEL	4 / CARTON = 20000
20498-040E-##	26.0	32.0	14.2	28.4	17.6	17.0	13.55	5000 / REEL	3 / CARTON = 15000
20498-050E-##	26.0	32.0	14.2	28.4	20.6	20.0	16.55	5000 / REEL	3 / CARTON = 15000



EMBOSS TAPE
(S = 1/2)



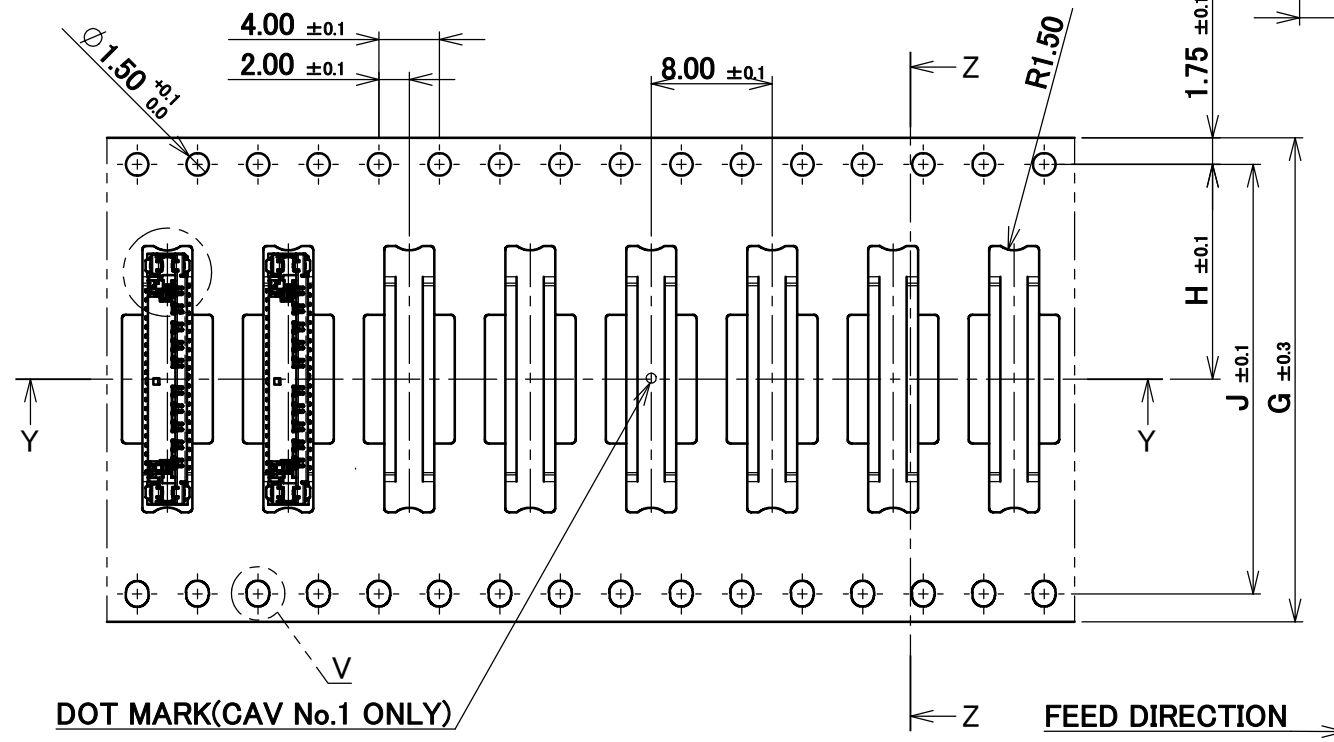
DETAIL V
(S = 5/1)



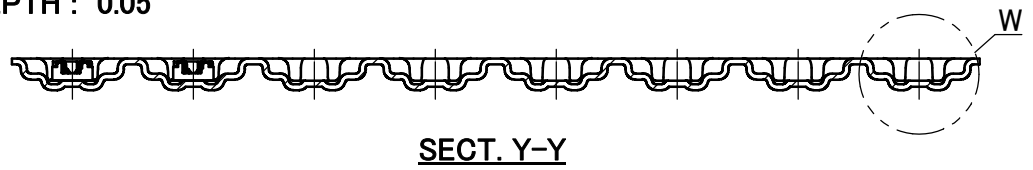
DETAIL W
(S = 5/1)

- NOTES.**
3. TAPING SPECIFICATION FOLLOWS JIS C 0806 (IEC 60286-3).
4. MAKE EMPTY SECTION OF LEADER AND END ON EACH END OF THE TAPE.
5. TOP TAPE SHALL NOT STICK OUT FROM EMBOSS TAPE.
6. TOP TAPE SHALL NOT COVER FEED HOLE.

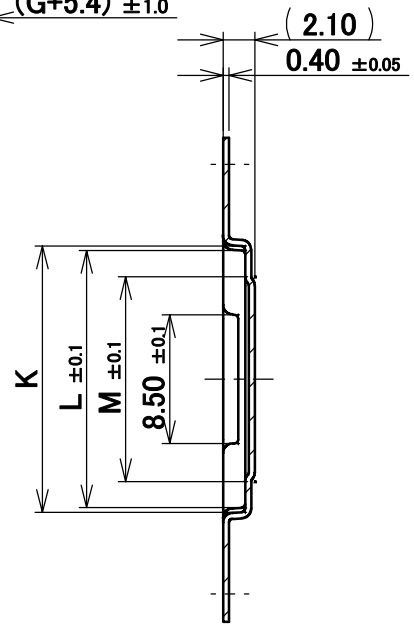
NO.	DISCRIPTION	MATERIAL	FINISH , REMARKS
8	PACKING LABEL	-	-
7	REEL	PS	ANTI-STATIC TYPE BLACK
6	TOP TAPE	PET t=0.061 TRANSPARENCY	ANTI-STATIC TYPE ADHESIVE TYPE
5	EMBOSS TAPE	PS t=0.4 TRANSPARENCY	ANTI-STATIC TYPE



DOT MARK(CAV No.1 ONLY)
SIZE : ($\phi 0.8$)
DEPTH : 0.05



SECT. Y-Y



SECT. Z-Z

ANGLE	±2°	6 OVER 30 MAX.	±0.3	PROJECTION	SERIES No.	CUSTOMER COPY
6 MAX.	±0.2	30 OVER 120 MAX.	±0.5		R3	
GENERAL TOLERANCE.				TITLE	SCALE	I-PEX
DWG.	DATE	CABLIN®-UA II RECEPTACLE ASS'Y		2:1		
CHK.	DATE	DWG. No.		UNIT	mm	
APP.	DATE	20498		mm		
				SIZE	SHEET	REV.
				A3	5/5	17