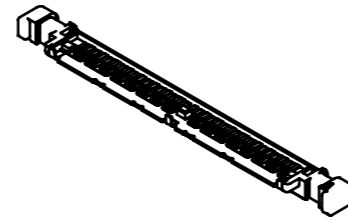
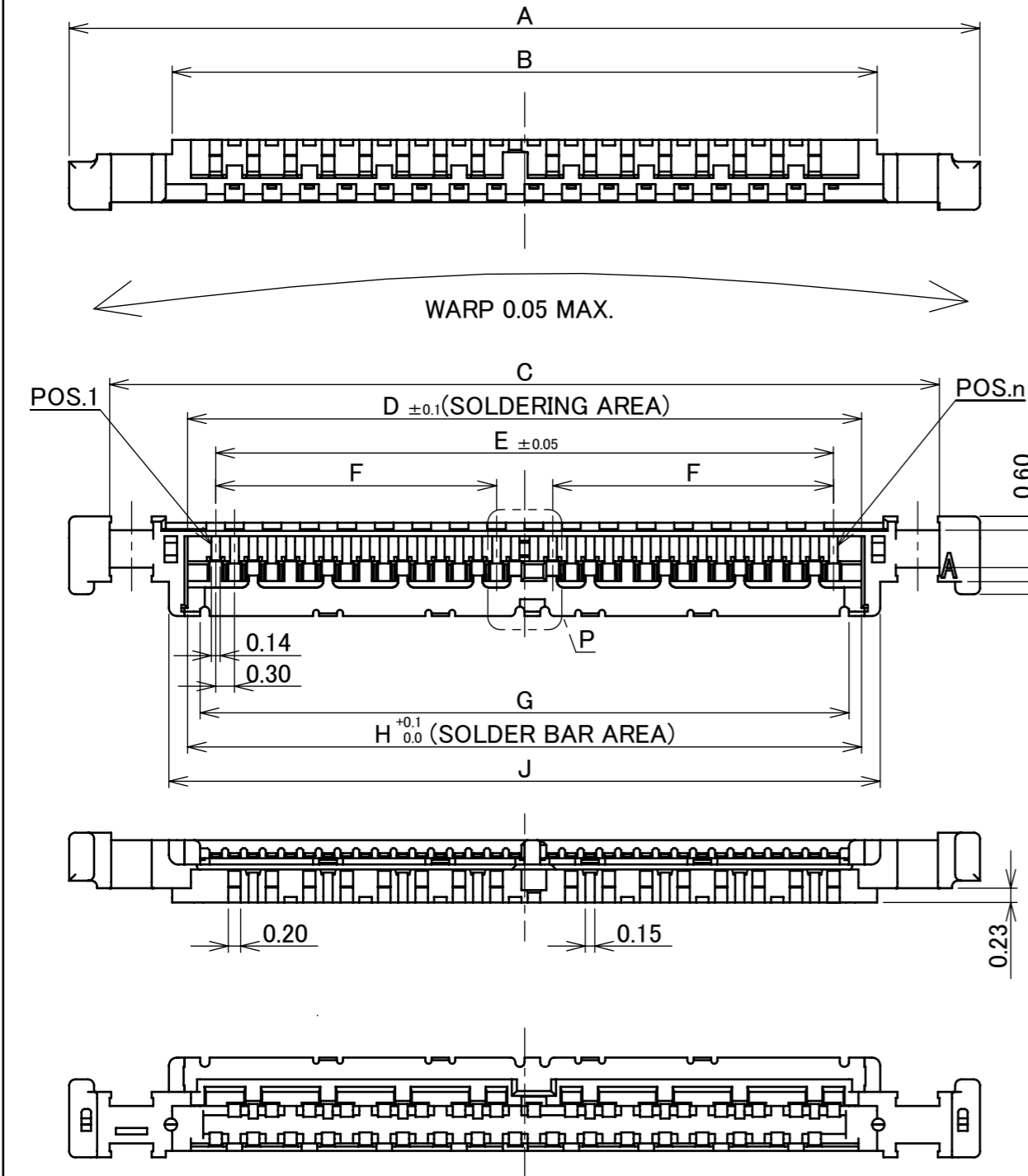


Recommended P/N 20497-0**T-30

PART No.	POS.	A	B	C	D	E	F	G	H	J
20497-*26T-30	26	12.8	9.5	11.5	9.0	8.1	3.6	8.6	9.0	9.6
20497-*32T-30	32	14.6	11.3	13.3	10.8	9.9	4.5	10.4	10.8	11.4
◆ 20497-*34T-30	34	15.2	11.9	13.9	11.4	10.5	4.8	11.0	11.4	12.0
20497-*40T-30	40	17.0	13.7	15.7	13.2	12.3	5.7	12.8	13.2	13.8
20497-*50T-30	50	20.2	16.7	18.7	16.2	15.3	7.2	15.8	16.2	16.8

◆ MARK MEANS NOT AVAILABLE.



PART COMBINATION TABLE		
PLUG CABLE ASS'Y	PLUG HOUSING ASS'Y	METAL COVER
20496-0**-30	20497-0**T-30	2679-0**-00
20496-R**-30	20497-R**T-30	
20496-0**-40	20497-0**T-30	2679-0**-10
20496-R**-40	20497-R**T-30	

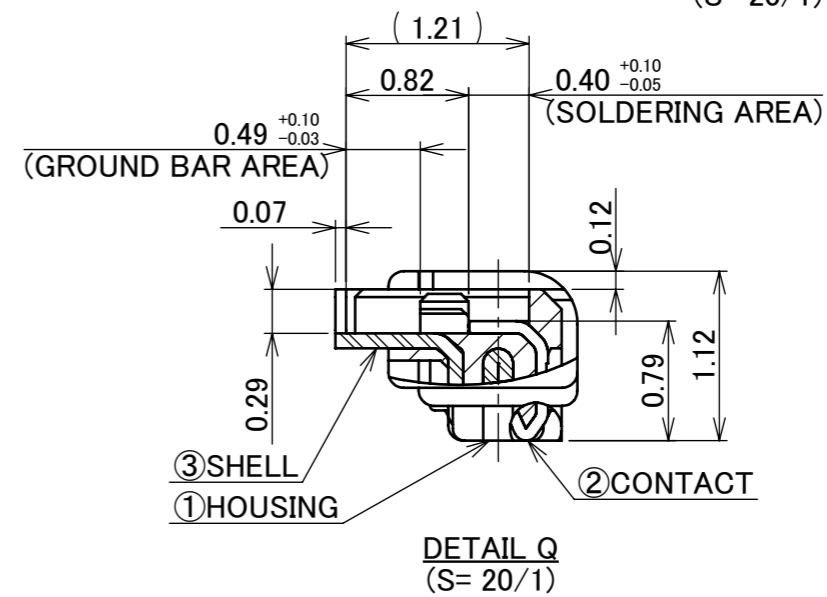
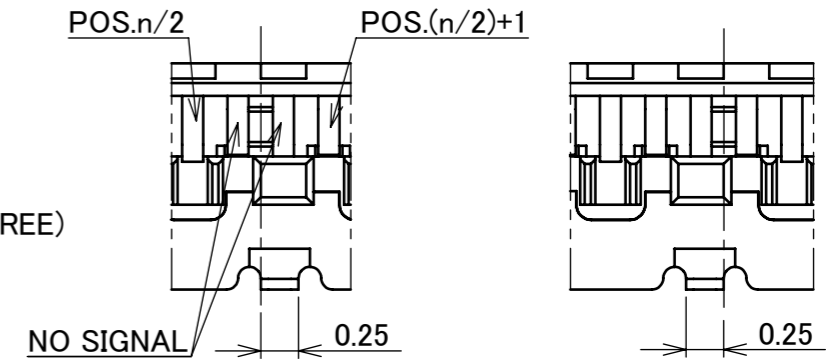
20497-***T-30

Pos.

HOUSING MATERIAL

0 : LCP

R : LCP (RED PHOSPHORUS FREE)



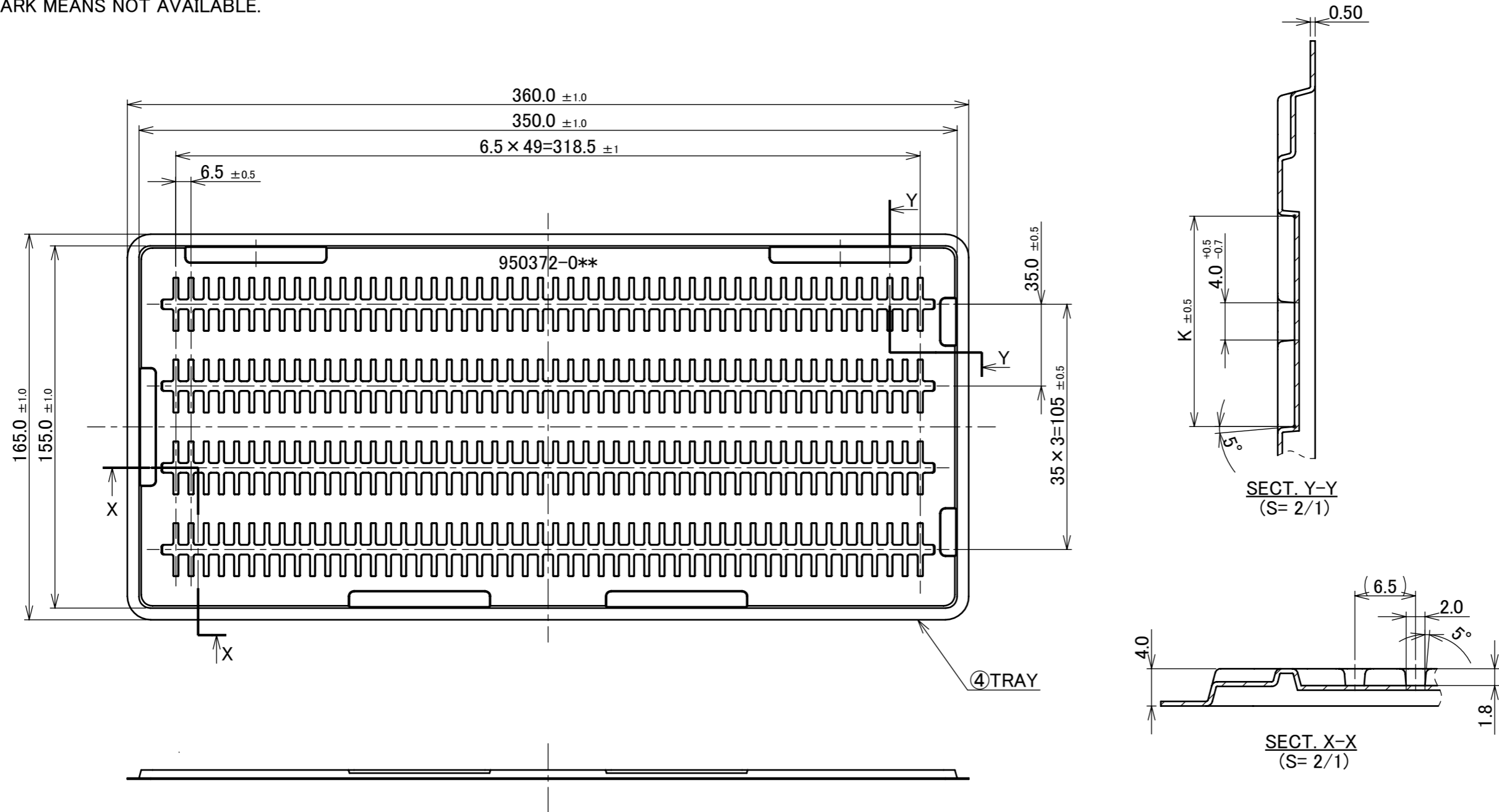
NO.	DISCRIPTION	MATERIAL	FINISH , REMARKS
3	SHELL	PHOSPHOR BRONZE	Ni 1.00 μ m MIN.
2	CONTACT	PHOSPHOR BRONZE	Au 0.1 μ m MIN. OVER Ni 1.00 μ m MIN.
1	HOUSING	LCP	UL94V-0, BLACK

REV.	ECN	BY	DATE	APP.	APP.	DATE	DWG. No.	20497	SIZE	A3	SHEET	1/2	REV.	11	
11	Z191190	S.Y	Sept/06/'19	H.I	ANGLE	±2°	6 OVER 30 MAX.	±0.3	PROJECTION	SERIES No.	R1	CUSTOMER COPY	SCALE	10:1	
10	Z181009	T.O	July/31/'18	H.I	6 MAX.	±0.2	30 OVER 120 MAX.	±0.5							
9	Z180289	R.T	Mar./06/'18	M.T	GENERAL TOLERANCE.			TITLE	CABLINER®-UA II	UNIT	mm	I-PEX			
8	Z170878	K.T	Aug./02/'17	M.T	DWG.	DATE	2009/02/17								
7	Z150786	Y.W	July/09/'15	Tom	J.Ohsaka	DATE	2009/02/17	DWG. No.	20497	SIZE	A3	SHEET	1/2	REV.	11
6	Z141362	T.U	Dec./05/'14	Tom	CHK.	DATE	2009/02/17								
REVISION RECORD					E.Kawabe	2009/02/17									

NOTES
 1. THIS PART IS ASSEMBLED METAL COVER (P/N 2679-0**-#0) AFTER SOLDERED THE COAXIAL CABLE, AND IT BECOMES P/N 20496-***-#0.
 2. PRODUCT SPECIFICATION : DOCUMENT No. PRS-1469
 ASSEMBLY MANUAL : DOCUMENT No. ASM-09004

PART No.	POS.	K	QTY. IN DITCH (PIECES / DITCH)	QTY. IN TRAY (PIECES / TRAY)	QTY. PER SHIPPING CARTON (TRAYS / CARTON)	QTY. PER PACKING CARTON (PIECES / CARTON)	PACKING STANDARD
20497-*26T-30	26	15.00	1	200	20 / CARTON = 4000	16000 (4 SHIPPING CARTON)	300-695
20497-*32T-30	32	22.50					
◆ 20497-*34T-30	34						
20497-*40T-30	40						
20497-*50T-30	50						

◆ MARK MEANS NOT AVAILABLE.



4	TRAY	PS	ANTI-STATIC TYPE
NO.	DISCRIPTION	MATERIAL	FINISH , REMARKS

ANGLE	±2°	6 OVER 30 MAX.	±0.3	PROJECTION ⊕	SERIES No. R1	CUSTOMER COPY
6 MAX.	±0.2	30 OVER 120 MAX.	±0.5			
GENERAL TOLERANCE.				TITLE		SCALE
DWG.	DATE	CABLIN [®] -UA II PLUG HOUSING ASS'Y		DWG. No. 20497		1:2
CHK.	DATE					UNIT
APP.	DATE					mm
						SIZE
						A3
						SHEET
						2/2
						REV.
						11