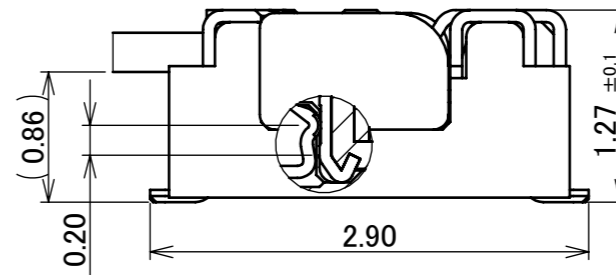
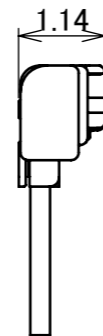
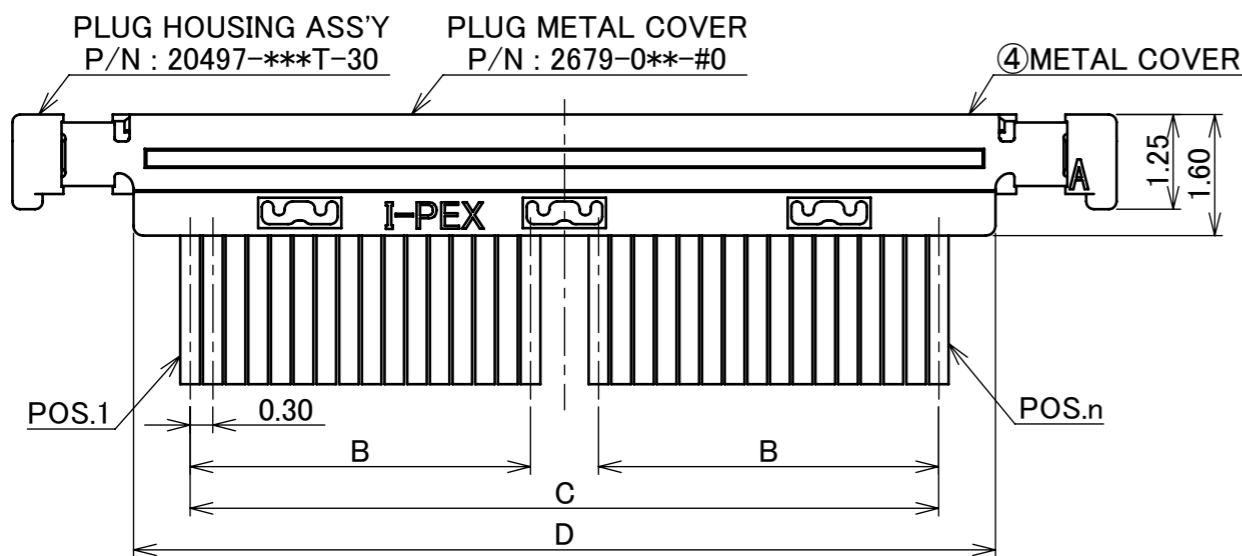
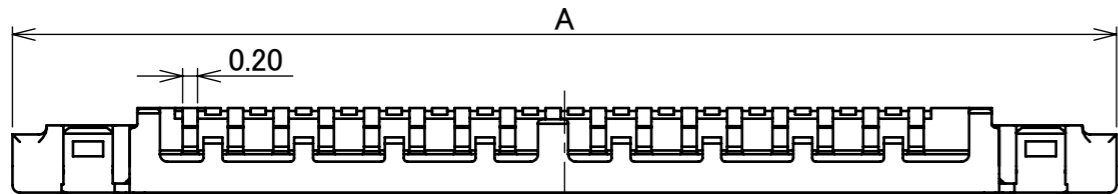


Recommended P/N		20496-0**-40				
PART No.	POS.	A	B	C	D	
20496-*26-#0	26	12.8	3.6	8.1	9.6	
20496-*32-#0	32	14.6	4.5	9.9	11.4	
◆ 20496-*34-#0	34	15.2	4.8	10.5	12.0	
20496-*40-#0	40	17.0	5.7	12.3	13.8	
20496-*50-#0	50	20.0	7.2	15.3	16.8	

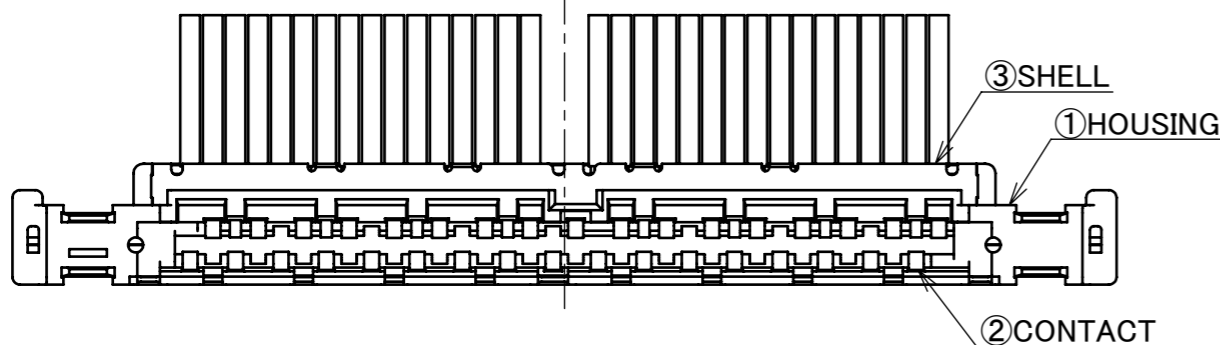
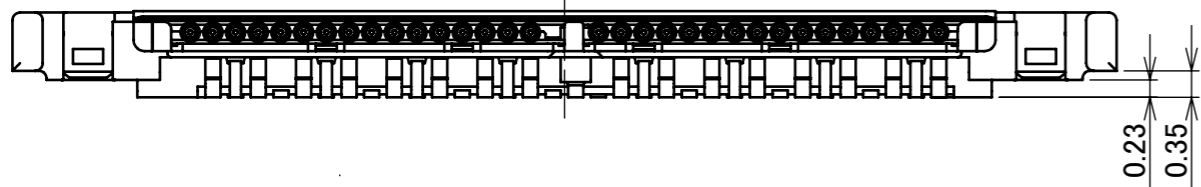
◆ MARK MEANS NOT AVAILABLE

20496-***-#0
 3: METAL COVER Au PLATING
 4: METAL COVER Sn PLATING
 Pos.
 HOUSING MATERIAL
 0: LCP
 R: LCP (RED PHOSPHORUS FREE)

PART COMBINATION TABLE			
PLUG CABLE ASS'Y	HOUSING ASS'Y	METAL COVER	RECEPTACLE ASS'Y
20496-0**-30	20497-0**T-30	2679-0**-00	20498-0**E-3#
20496-R**-30	20497-R**T-30		20498-R**E-3#
20496-0**-40	20497-0**T-30	2679-0**-10	20498-0**E-4#
20496-R**-40	20497-R**T-30		20498-R**E-4#

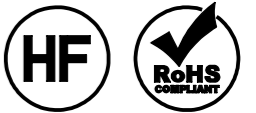


MATING DRAWING
(S=20/1)



NO.	DISCRIPTION	MATERIAL	FINISH , REMARKS
4	METAL COVER	STAINLESS STEEL	P/N 20496-***-30: Au 0.05 μ m MIN. OVER Ni 1.00 μ m MIN. P/N 20496-***-40: Sn 1.00 μ m MIN. OVER Ni 1.00 μ m MIN.
3	SHELL	PHOSPHOR BRONZE	Ni 1.00 μ m MIN.
2	CONTACT	PHOSPHOR BRONZE	Au 0.10 μ m MIN. OVER Ni 1.00 μ m MIN.
1	HOUSING	LCP	UL94V-0, BLACK

REV.	ECN	BY	DATE	APP.	APP.	DATE	DWG. No.	20496	SIZE	A3	SHEET	1/4	REV.	15
15	Z200501	S.Y	May/13/'20	Y.S	ANGLE	±2°	6 OVER 30 MAX.	±0.3	PROJECTION	SERIES No. R1/R1	CUSTOMER COPY			
14	Z190779	S.Y	June/12/'19	H.I	6 MAX.	±0.2	30 OVER 120 MAX.	±0.5						
13	Z181009	T.O	July/31/'18	H.I	GENERAL TOLERANCE.			TITLE CABLINER®-UA II PLUG CABLE ASS'Y	SCALE	10:1	I-PEX			
12	Z180161	R.H	Feb./08/'18	M.T	DWG.	J.Ohsaka	DATE		2008/11/04	UNIT				
11	Z170970	H.T	Aug./23/'17	M.T	CHK.	-	DATE	-	SIZE	A3	SHEET 1/4 REV. 15			
10	Z170878	K.T	Aug./02/'17	M.T	APP.	E.Kawabe	DATE	2008/11/04						
REVISION RECORD					APP.		DATE		DWG. No.					



ITEMS	SPECIFICATION
APPLICABLE CABLE	MICRO COAX : AWG# 46 , 44 , 42 DISCRETE : AWG# 39
RATING VOLTAGE	50V AC (PER A CONTACT)
RATING AMPERAGE (FOR CONTACT)	0.50A AC/DC [AWG#39] (PER CONTACT / UP TO 10 CONTACTS) 0.15A AC/DC [AWG#46] 0.19A AC/DC [AWG#44] 0.20A AC/DC [AWG#42]
OPERATING TEMPERATURE	233~358K(-40°C~+85°C)
OPERATING HUMIDITY	85% MAX.(NON-CONDENSING)
CONTACT RESISTANCE	INITIAL : 450mohm MAX.(AWG#39) 700mohm MAX.(AWG#42) 1080mohm MAX.(AWG#44) 1880mohm MAX.(AWG#46) AFTER TEST : \triangleleft 40mohm MAX.
GROUND CONTACT RESISTANCE	INITIAL : 100mohm MAX. / AFTER TEST : \triangleleft 40mohm MAX.
INSULATION RESISTANCE	INITIAL : 100Mohm MIN. / AFTER TEST : 100Mohm MIN.
DIELECTRIC WITHSTANDING VOLTAGE	AC100V 1min
DURABILITY	20 CYCLES
MATING FORCE (INITIAL / 20 CYCLES)	26P : 28.0N MAX. 32P : 34.5N MAX. 40P : 40.0N MAX. 50P : 50.0N MAX.
UNMATING FORCE (INITIAL / 20 CYCLES)	26P : 3.0N MIN. 32P : 3.0N MIN. 40P : 3.0N MIN. 50P : 3.0N MIN.
CABLE RETENTION FORCE	15.0N MIN. (AWG# 44)
PRODUCT SPECIFICATION	PRS-1469
TEST REPORT	TR-09032
INSTRUCTION MANUAL	HIM-09006
ASSEMBLY MANUAL	ASM-09004
APPEARANCE CRITERIA No.	QLS-A***

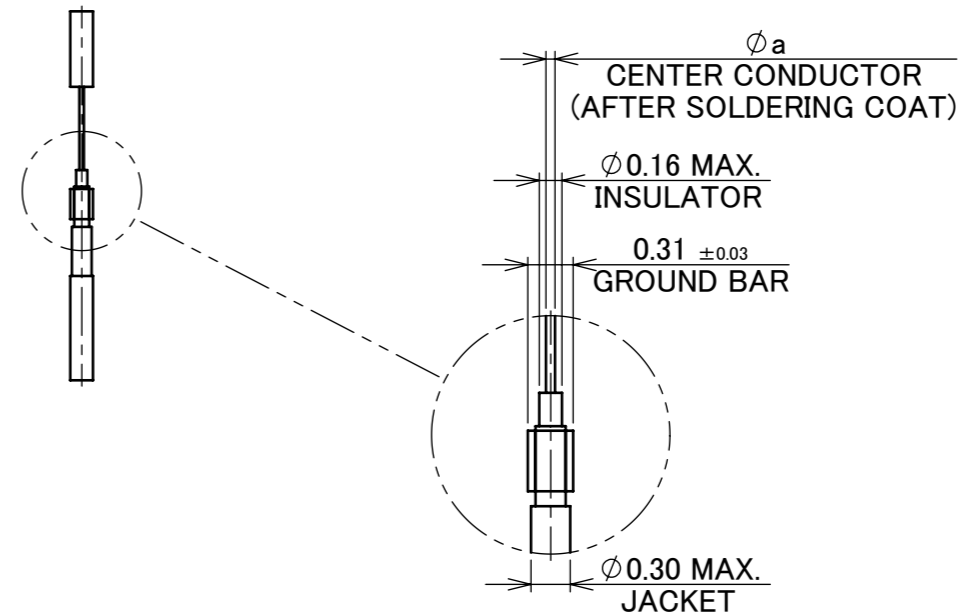
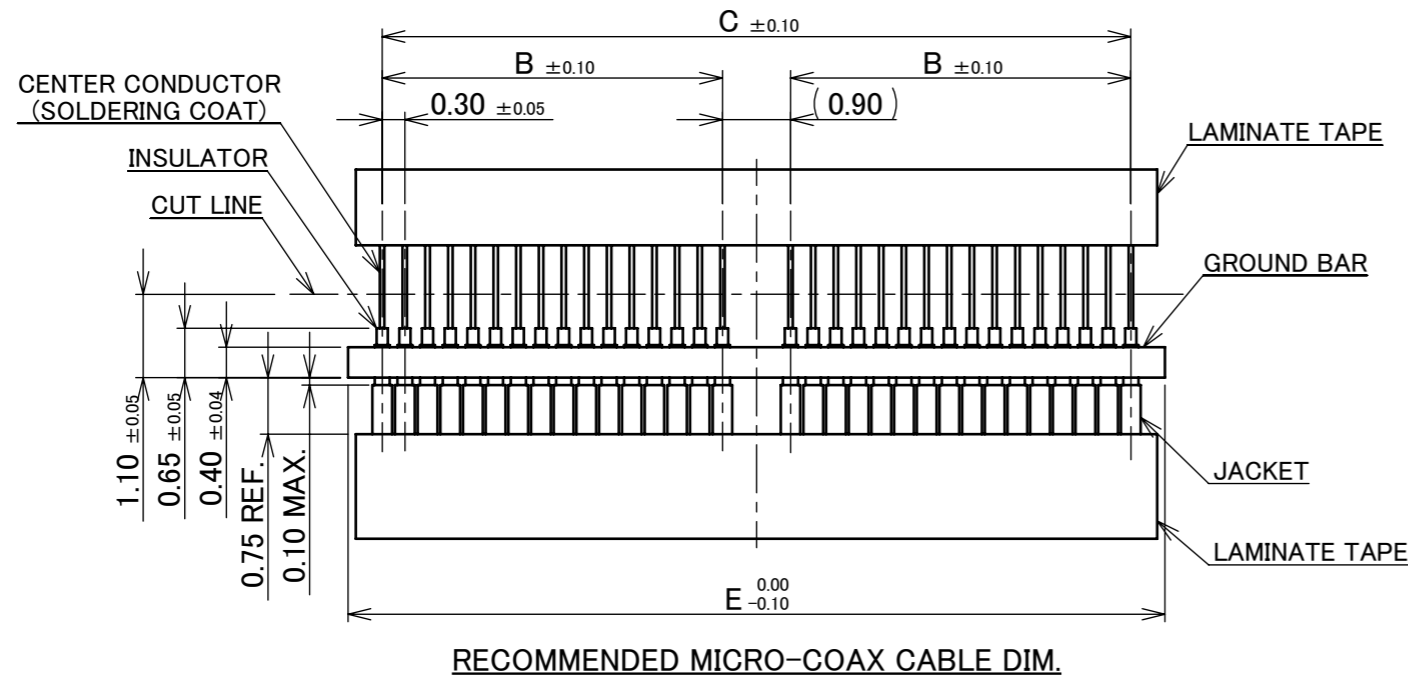
ANGLE	$\pm 2^\circ$	6 OVER 30 MAX.	± 0.3	PROJECTION 	SERIES No. R1/R1	CUSTOMER COPY
	6 MAX.	± 0.2	30 OVER 120 MAX.			
GENERAL TOLERANCE.				TITLE CABLIN [®] -UA II PLUG CABLE ASS'Y	SCALE 5:1 UNIT mm	I-PEX
DWG.	DATE					
CHK.	DATE					
APP.	DATE					
				DWG. No.	20496	SIZE A3
				SHEET	2/4	REV. 15

	PART No.	POS.	B	C	E
	20496-*26-#0	26	3.6	8.1	9.0
	20496-*32-#0	32	4.5	9.9	10.8
◆	20496-*34-#0	34	4.8	10.5	11.4
	20496-*40-#0	40	5.7	12.3	13.2
	20496-*50-#0	50	7.2	15.3	16.2

◆ MARK MEANS NOT AVAILABLE

MICRO-COAX CABLE DIMENSION

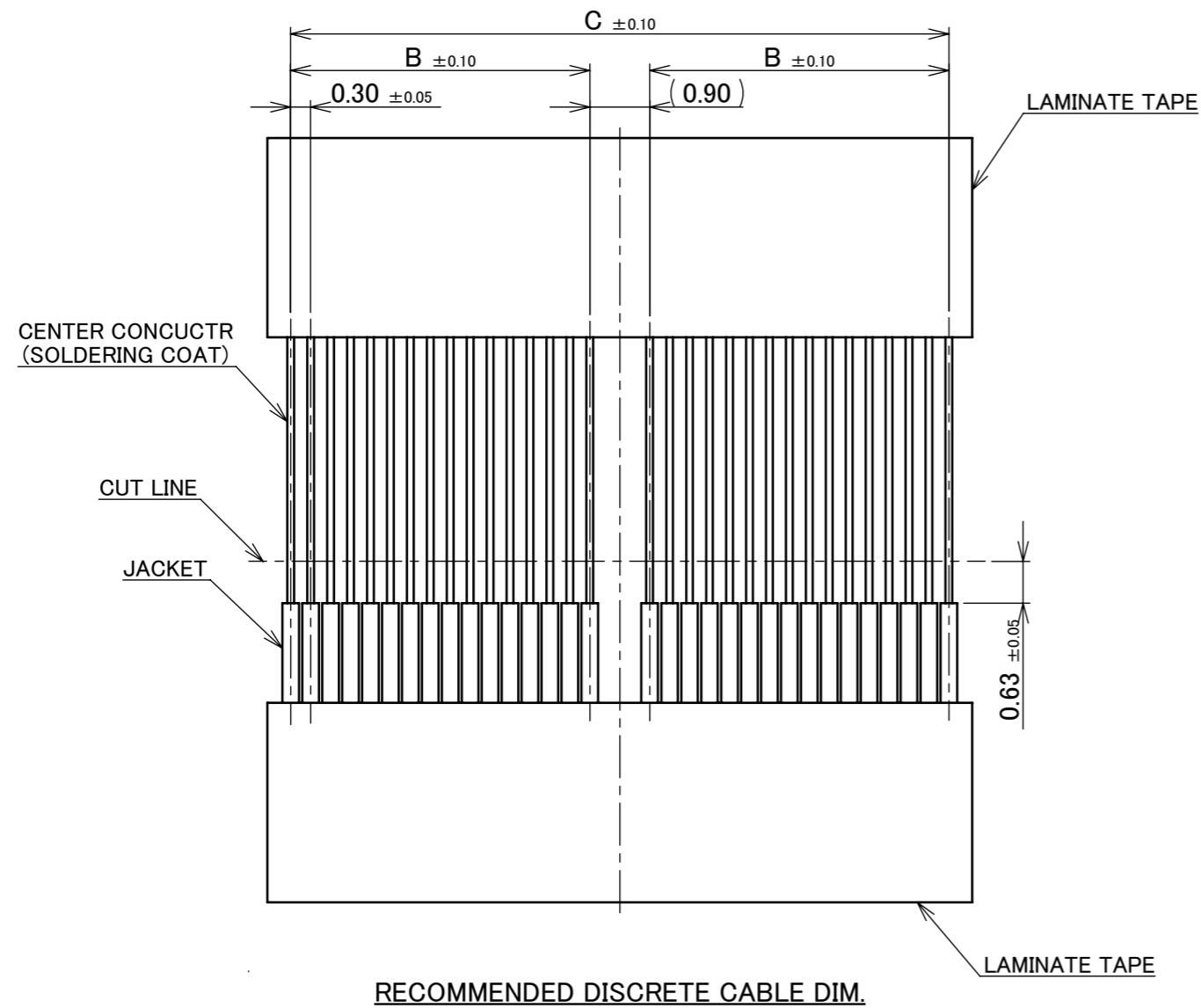
	a
#42	∅ 0.075
#44	∅ 0.063
#46	∅ 0.048



ANGLE	$\pm 2^\circ$	6 OVER 30 MAX.	± 0.3	PROJECTION ⊕	SERIES No. R1/R1	CUSTOMER COPY
6 MAX.	± 0.2	30 OVER 120 MAX.	± 0.5			
GENERAL TOLERANCE.				TITLE CABLIN [®] -UA II PLUG CABLE ASS'Y	DWG. No. 20496	SCALE
DWG.	DATE					10:1
CHK.	DATE					UNIT
APP.	DATE					mm
				SIZE	A3	SHEET 3/4 REV. 15

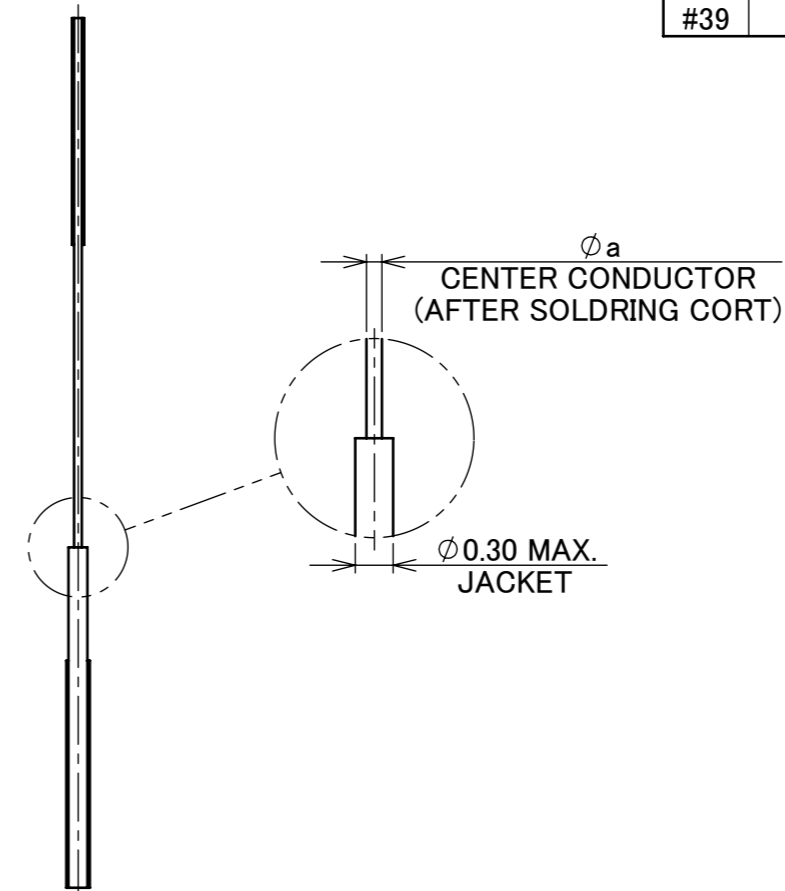
	PART No.	POS.	B	C
	20496-*26-#0	26	3.6	8.1
	20496-*32-#0	32	4.5	9.9
◆	20496-*34-#0	34	4.8	10.5
	20496-*40-#0	40	5.7	12.3
	20496-*50-#0	50	7.2	15.3

◆ MARK MEANS NOT AVAILABLE



DISCRETE CABLE DIMENSION

	a
#39	Ø0.102



ANGLE	±2°	6 OVER 30 MAX.	±0.3	PROJECTION ⊕	SERIES No. R1/R1	CUSTOMER COPY
6 MAX.	±0.2	30 OVER 120 MAX.	±0.5			
GENERAL TOLERANCE.				TITLE CABLIN [®] -UA II PLUG CABLE ASS'Y	SCALE 10:1 UNIT mm SIZE A3	SHEET 4/4 REV. 15
DWG.	DATE					
CHK.	DATE					
APP.	DATE					
DWG. No.				20496		