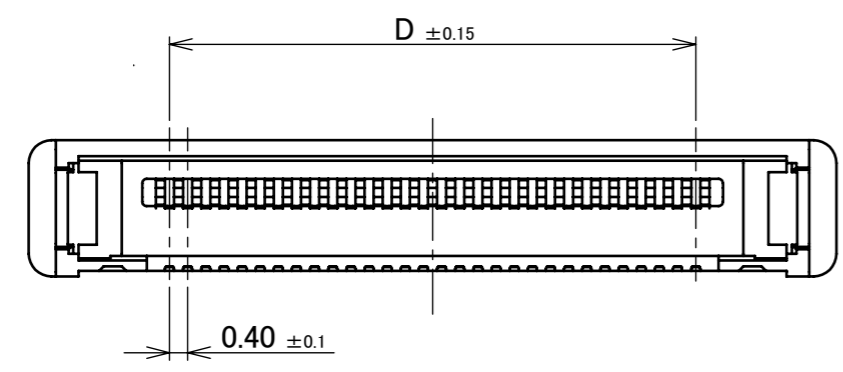
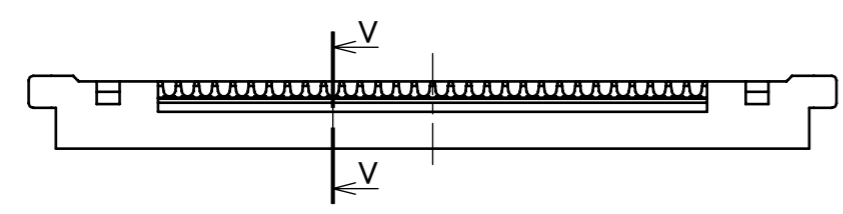
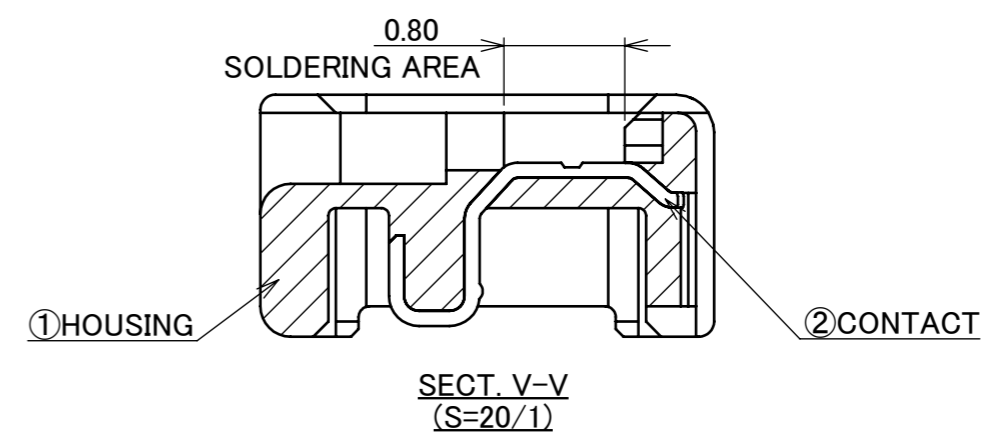
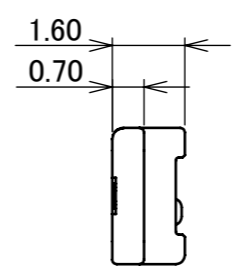
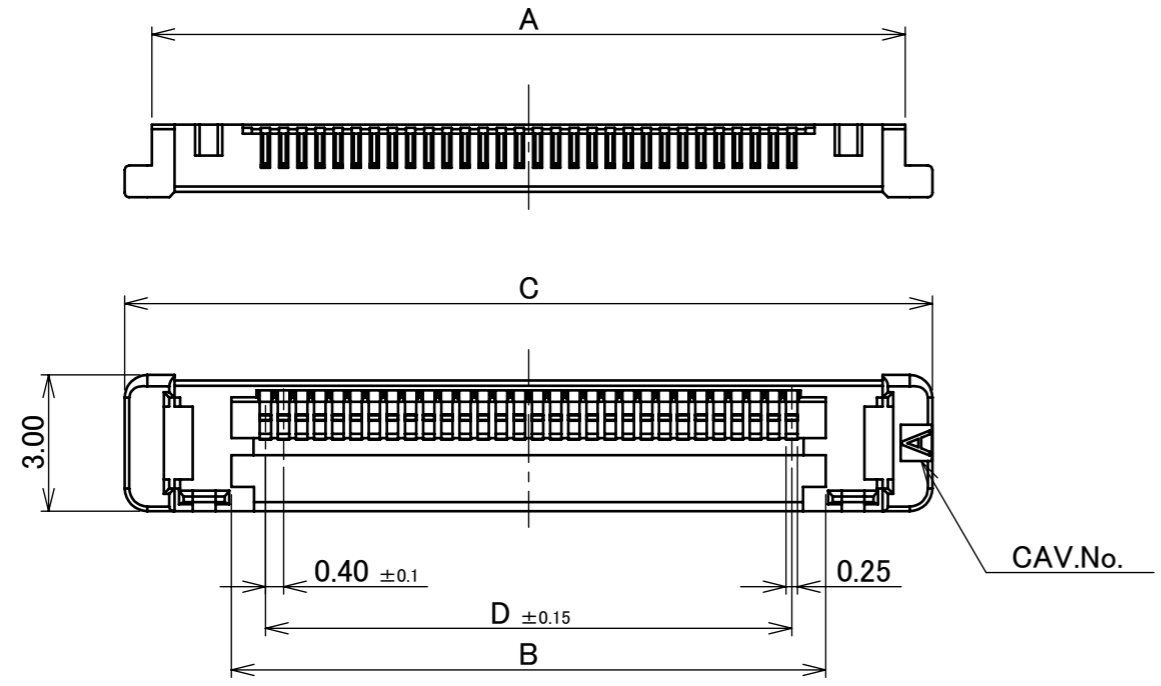
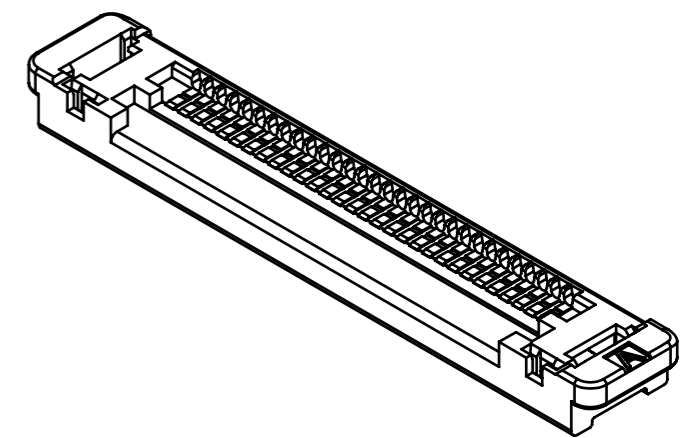


Recommended P/N 20373-R**T-06

PART NO.	Pos.	A	B	C	D
20373-R10T-06	10	8.60	5.10	9.80	3.60
20373-R14T-06	14	10.20	6.70	11.40	5.20
20373-R20T-06	20	12.60	9.10	13.80	7.60
20373-R30T-06	30	16.60	13.10	17.80	11.60
20373-R32T-06	32	17.40	13.90	18.60	12.40
20373-R35T-06	35	18.60	15.10	19.80	13.60
20373-R40T-06	40	20.60	17.10	21.80	15.60
20373-R50T-06	50	24.60	21.10	25.80	19.60

FOR AWG #34,#36,#40,#42



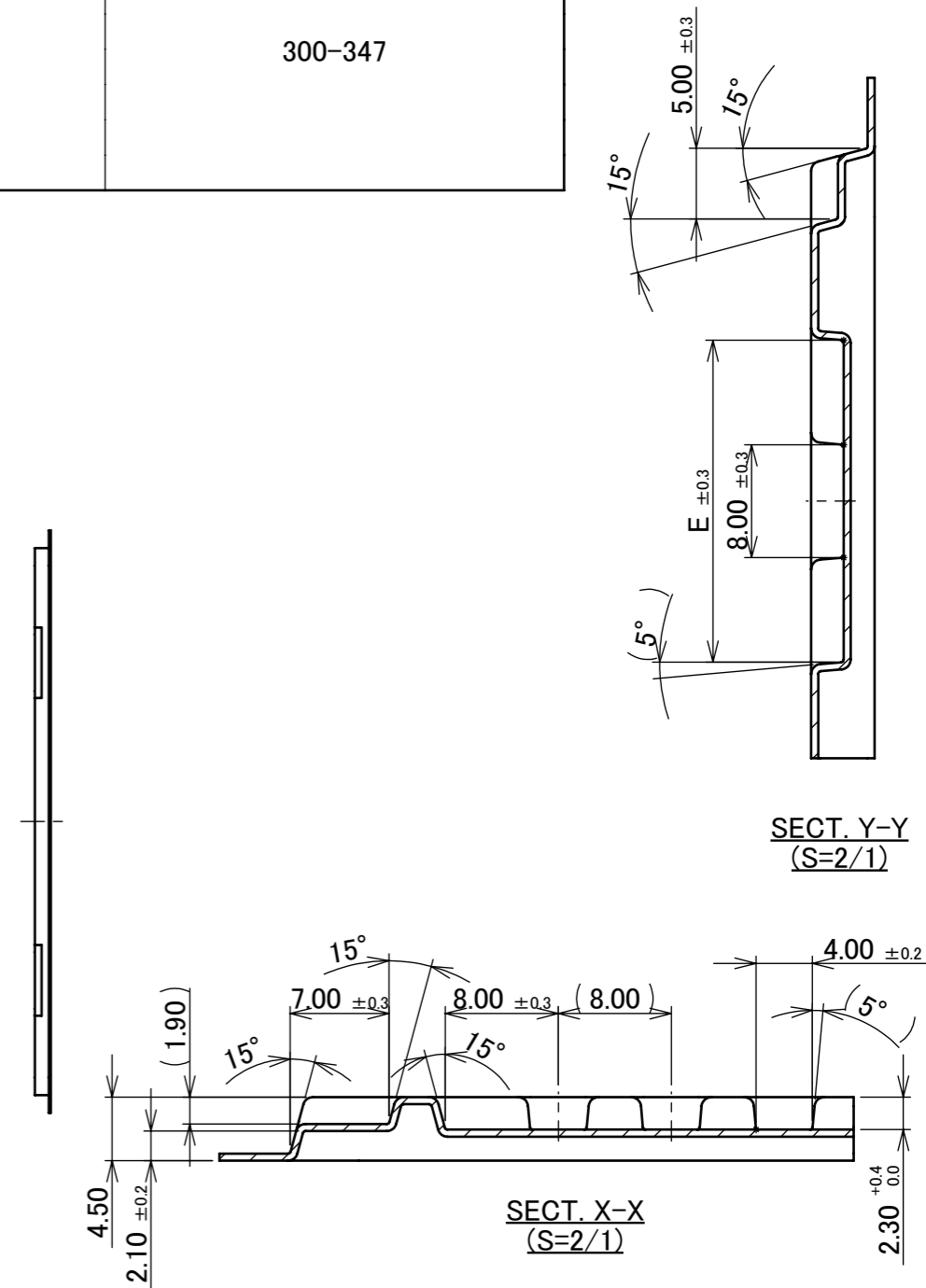
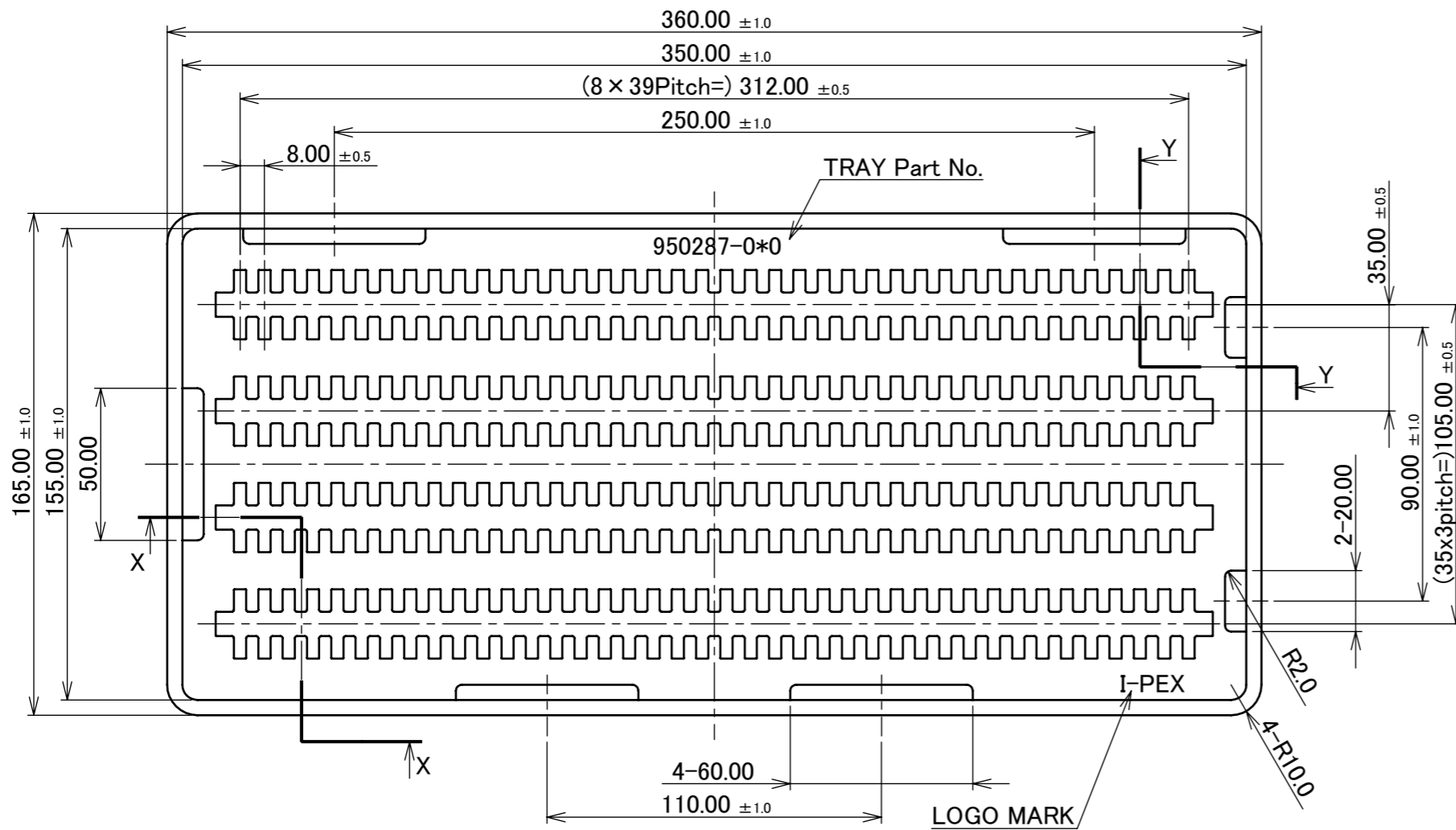
NOTES

1. THIS PART IS ASSEMBLED WITH METAL COVER (P/N 2182-0**-03(10P,14P,20P,30P,32P,35P) or 2182-0**-04(40P,50P)) AFTER SOLDERED CABLE, AND IT BECOMES P/N 20380-R**T-06(10P,14P,20P,30P,32P,35P) or 20380-R**T-16(40P,50P)

NO.	DISCRIPTION	MATERIAL	FINISH , REMARKS
2	CONTACT	PHOSPHOR BRONZE	Au 0.10 μ m MIN. OVER Ni 1.00 μ m MIN.
1	HOUSING	LCP (RED PHOSPHORUS IS NOT USED)	UL94V-0, BLACK

REV.	ECN	BY	DATE	APP.	APP.	DWG. No.	SIZE	SHEET	REV.		
21	Z210420	T.T	Apr./21/'21	H.I	ANGLE ±2°	6 OVER 30 MAX.	±0.3	PROJECTION	SERIES No. R9	CUSTOMER COPY	
20	Z201151	K.Hara	Nov./04/'20	Y.S	6 MAX. ±0.2	30 OVER 120 MAX.	±0.5	TITLE CABLINER [®] -SS PLUG HOUSING ASS'Y	SCALE 5:1		
19	Z191219	K.Hara	Sept./12/'19	H.I	GENERAL TOLERANCE.				DWG. No. 20373	UNIT mm	I-PEX
18	Z181296	H.K	Oct./24/'18	Y.S	DWG. K.Narita	DATE 2004/04/19	CHK. K.Matsuo	SIZE A3		SHEET 1/2	
17	Z150696	H.T	June/19/'15	Tom				APP. T.Harada			
16	Z150696	S.T	Feb./12/'15	Tom							
REVISION RECORD											

PART NO.	E	QTY. IN DITCH (PIECES / DITCH)	QTY. IN TRAY (PIECES / TRAY)	QTY. PER SHIPPING CARTON (TRAY / CARTON)	QTY. PER PACKING CARTON (TRAY / CARTON)	PACKING STANDARD
20373-R10T-06	14.80	1	160	20 / CARTON = 3200	12800 (4BOXES)	300-347
20373-R14T-06						
20373-R20T-06						
20373-R30T-06	22.80	1	160	20 / CARTON = 3200	12800 (4BOXES)	300-347
20373-R32T-06						
20373-R35T-06						
20373-R40T-06						
20373-R50T-06						



3	TRAY	PS	ANTI-STATIC TYPE
NO.	DISCRIPTION	MATERIAL	FINISH , REMARKS

ANGLE	±2°	6 OVER 30 MAX.	±0.3	PROJECTION ⊕	SERIES No. R9	CUSTOMER COPY
6 MAX.	±0.2	30 OVER 120 MAX.	±0.5			
GENERAL TOLERANCE.				TITLE CABLIN® -SS PLUG HOUSING ASS'Y	SCALE 5:1	UNIT mm
DWG.	DATE					
CHK.						
APP.						
				DWG. No.	20373	SIZE A3
				SHEET	2/2	REV. 21