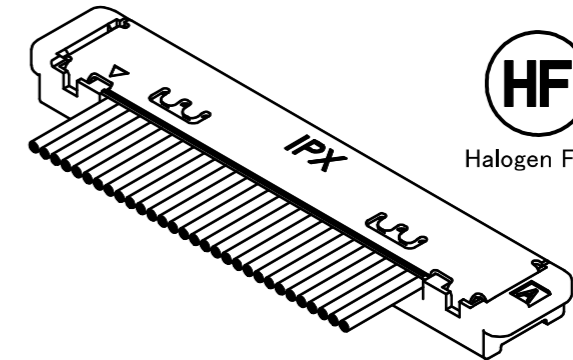
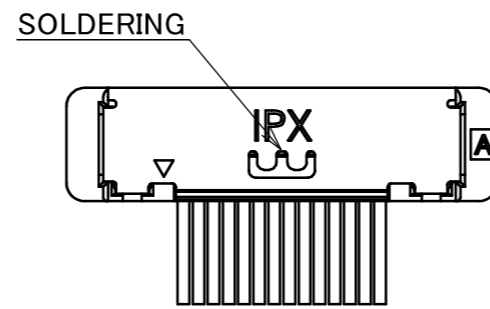
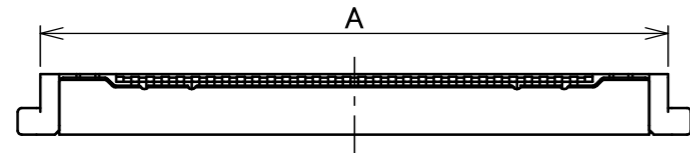


Recommended P/N 20380-R**T-06 (10P / 14P / 20P / 30P / 32P / 35P) 20380-R**T-16 (40P / 50P)

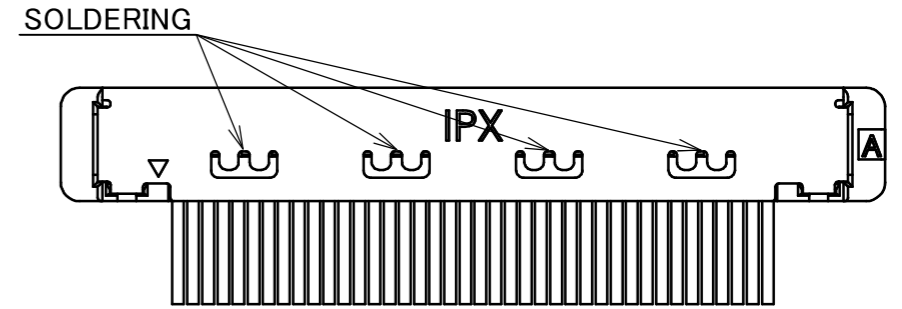
PART NO.	POS.	MATING RECEPTACLE P/N	A	B	C
20380-R10T-06	10	20374-R10E-31	8.6	9.8	3.6
20380-R14T-06	14	20374-R14E-31	10.2	11.4	5.2
20380-R20T-06	20	20374-R20E-31	12.6	13.8	7.6
20380-R30T-06	30	20374-R30E-31	16.6	17.8	11.6
20380-R32T-06	32	20374-R32E-31	17.4	18.6	12.4
20380-R35T-06	35	20374-R35E-31	18.6	19.8	13.6
20380-R40T-16	40	20374-R40E-31	20.6	21.8	15.6
20380-R50T-16	50	20374-R50E-31	24.6	25.8	19.6



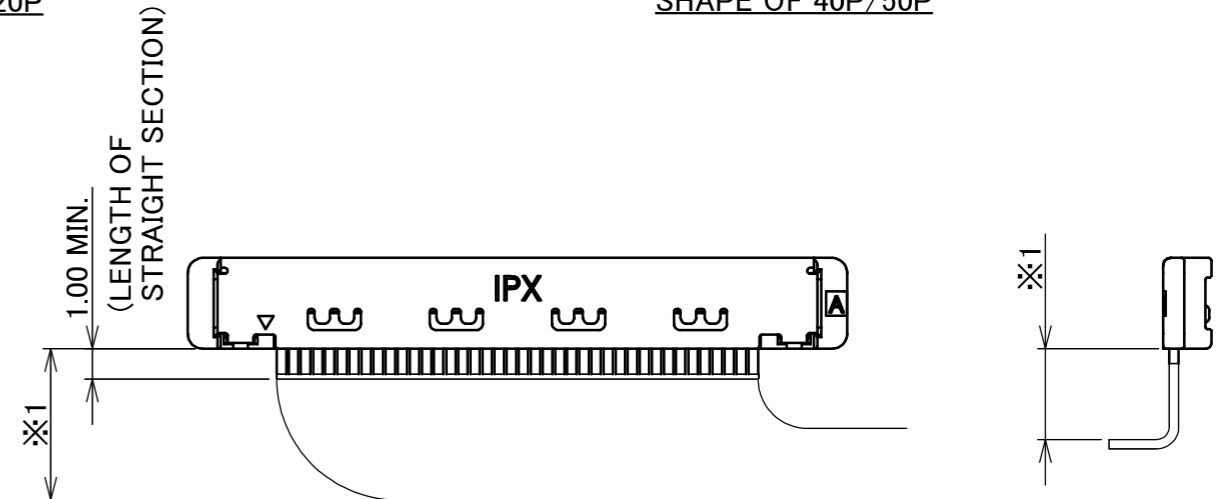
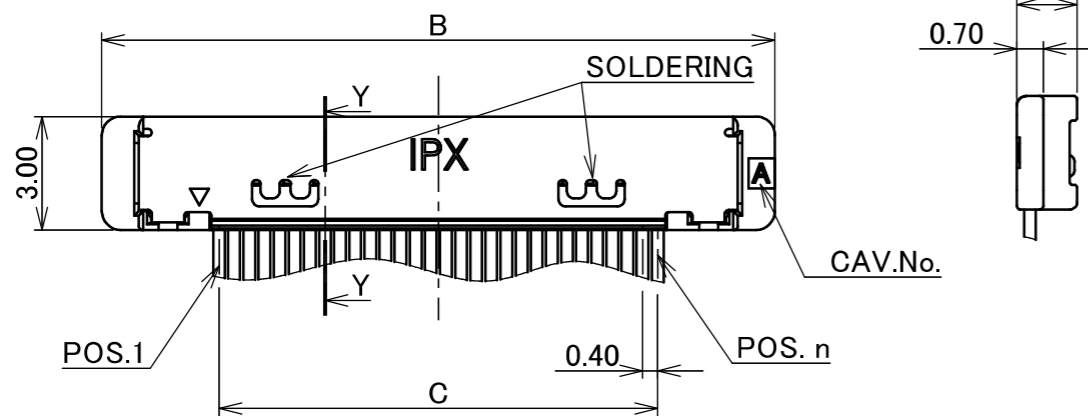
HF Halogen Free
RoHS COMPLIANT RoHS Compliant



SHAPE OF 10P/14P/20P



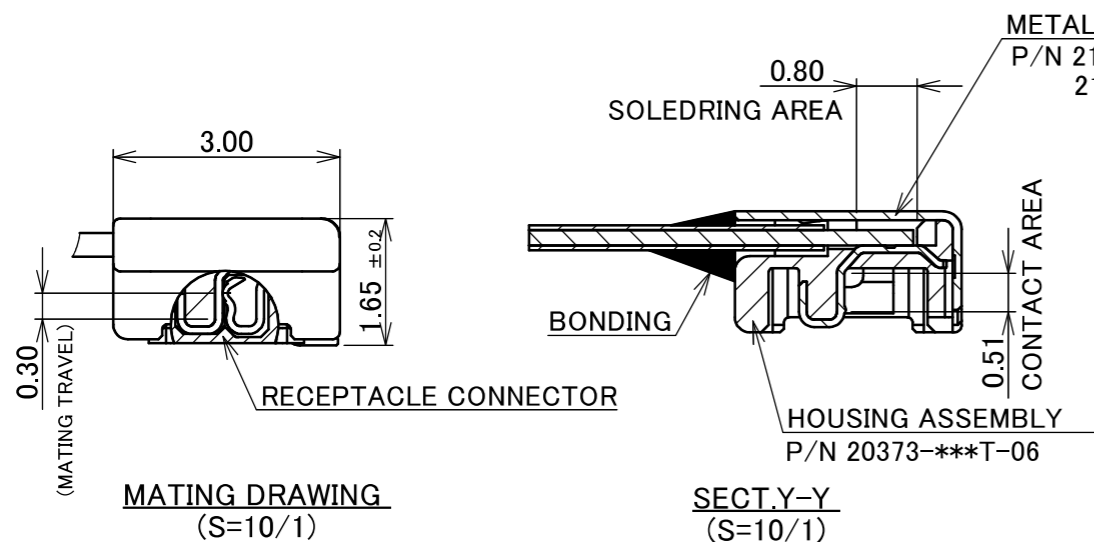
SHAPE OF 40P/50P



REFERENCE CABLE BENDING DIMENSIONS

*1 : THE BEND DIMENSIONS MAY VARY BASED ON THE SIZE AND QUANTITY OF CABLES. PLEASE CONFIRM THE MINIMUM BENDING RADIUS WITH I-PEX OR THE HARNESS MANUFACTURER.

NO.	DISCRIPTION	MATERIAL	FINISH , REMARKS
3	METAL COVER	PHOSPHOR BRONZE	Sn REFLOW 1.00 μm MIN.
2	CONTACT	PHOSPHOR BRONZE	CONTACT AREA : Au 0.1 μm MIN. OVER Ni 1.00 μm MIN. SOLDERING AREA : Au 0.1 μm MIN. OVER Ni 1.00 μm MIN.
1	HOUSING	LCP	UL94V-0, BLACK



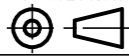

MATING DRAWING (S=10/1)

SECT.Y-Y (S=10/1)

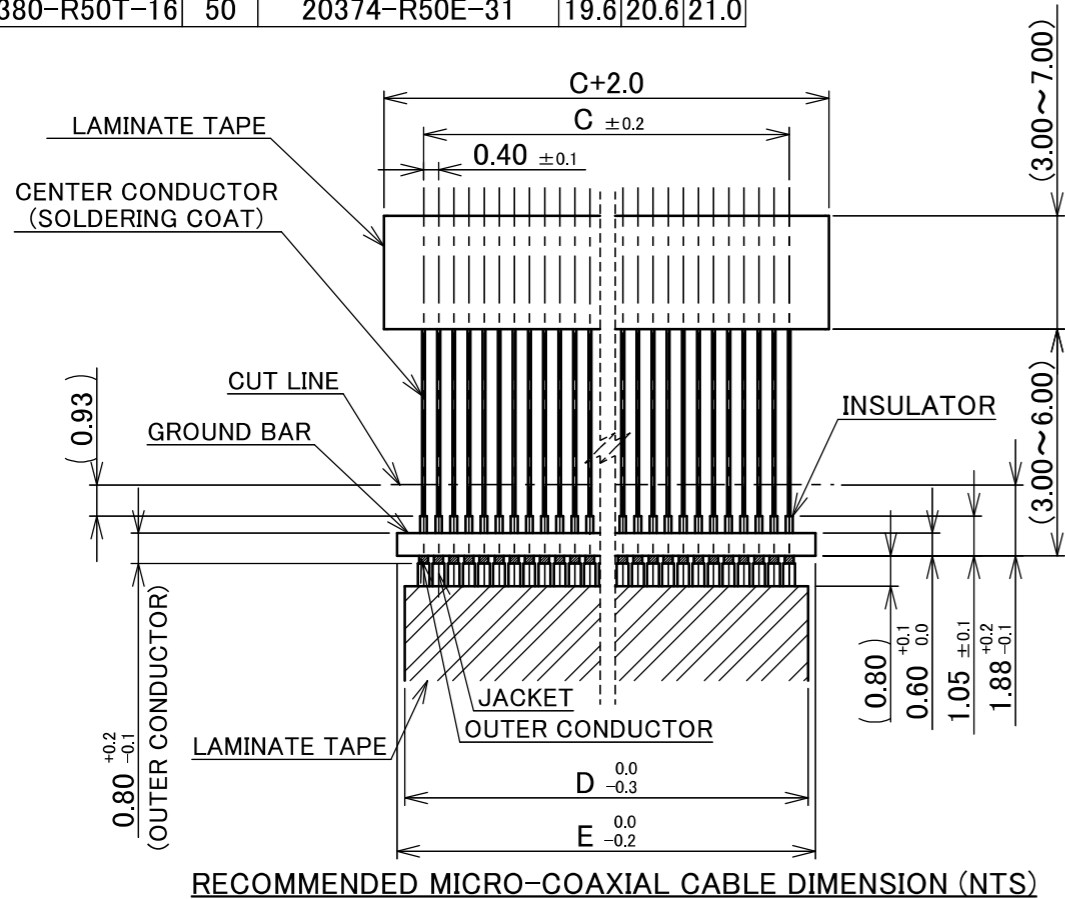
REV.	ECN	BY	DATE	APP.	APP.	PROJECTION	SERIES No.	TITLE	SCALE	SHEET	REV.
30	ZC00398	A.K	2026/01/05	T.M	ANGLE ±2°	6 OVER 30 MAX. ±0.3	R9R3	CABLINER [®] -SS PLUG FOR CABLE ASSEMBLY	5:1	I-PEX	30
29	Z250961	T.T	2025/06/16	H.I	6 MAX. ±0.2	30 OVER 120 MAX. ±0.5	R9R3		mm		
28	Z241437	T.T	2024/10/17	H.I	GENERAL TOLERANCE.						
27	Z240824	RYO	2024/06/26	H.I	DWG. H.Ikari	DATE 2004/07/30					
26	Z230099	K.Hara	2023/01/24	H.I	CHK. E.Kawabe						
25	Z221004	K.Hara	2022/09/05	H.I	APP. T.Harada						
REVISION RECORD							DWG. No. 20380		SIZE A3	1/3	

NOTES.
1. THE CABLE MUST NOT HOLD WHEN UN-MATING A CONNECTOR.

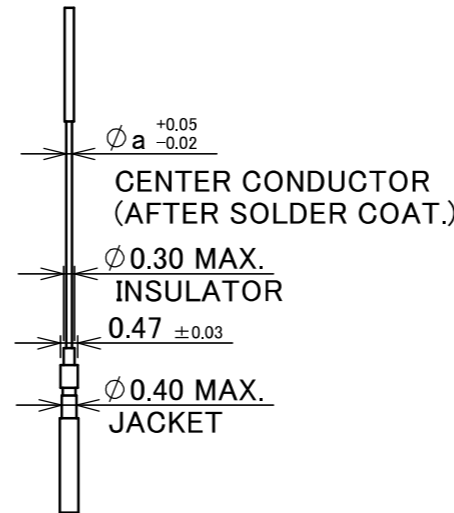
ITEMS	SPECIFICATION
APPLICABLE CABLE	MICRO-COAXIAL CABLE : AWG# 42 , 40 , 36 DISCRETE WIRE : AWG# 36 , 34
RATING VOLTAGE	100V AC (PER CONTACT PIN) ※THIS IS THE RATED VOLTAGE OF THE CONNECTOR. PLEASE NOTE THAT THE RATED VOLTAGE MAY VARY IN THE HARNESS DEPENDING ON THE CABLES USED.
RATING AMPERAGE (FOR CONTACT)	0.24A AC/DC [AWG#42] AVAILABLE TO 50 PIN 0.25A AC/DC [AWG#40] AVAILABLE TO 50 PIN 0.30A AC/DC [AWG#40] AVAILABLE TO 32 PIN 0.35A AC/DC [AWG#36] AVAILABLE TO 50 PIN 0.40A AC/DC [AWG#36] AVAILABLE TO 37 PIN 0.35A AC/DC [AWG#34] AVAILABLE TO 50 PIN 1.00A AC/DC [AWG#34] AVAILABLE TO 2 PIN ※TESTING BY A REAL MACHINE IS RECOMMENDED BECAUSE TEMPERATURE RISE MAY AFFECTED BY ACTUAL SITUATION.
OPERATING TEMPERATURE	233~358K(-40°C~+85°C)
OPERATING HUMIDITY	85% MAX.(NON-CONDENSING)
CONTACT RESISTANCE	INITIAL : 180mohm MAX. (AWG#34) / AFTER TEST : \triangle 40mohm MAX. 275mohm MAX. (AWG#36) 600mohm MAX. (AWG#40) 700mohm MAX. (AWG#42) (INITIAL CONTAINS THE CONDUCTOR RESISTANCE OF A CABLE 100mm)
GROUND SHELL RESISTANCE	INITIAL : 50mohm MAX. / AFTER TEST : \triangle 40mohm MAX.
INSULATION RESISTANCE	INITIAL : 1000Mohm MIN. / AFTER TEST : 500Mohm MIN.
DIELECTRIC WITHSTANDING VOLTAGE	AC250V 1min
DURABILITY	30 CYCLES
MATING FORCE (INITIAL / AFTER TEST)	10P : 29.00N MAX. 32P : 33.40N MAX. 14P : 29.80N MAX. 35P : 34.00N MAX. 20P : 31.00N MAX. 40P : 35.00N MAX. 30P : 33.00N MAX. 50P : 38.00N MAX.
UNMATING FORCE (INITIAL / AFTER TEST)	10P : INITIAL : 4.00N MIN. / AFTER 30 CYCLES : 2.87N MIN. 14P : INITIAL : 4.40N MIN. / AFTER 30 CYCLES : 3.23N MIN. 20P : INITIAL : 5.00N MIN. / AFTER 30 CYCLES : 3.76N MIN. 30P : INITIAL : 6.00N MIN. / AFTER 30 CYCLES : 4.65N MIN. 32P : INITIAL : 6.20N MIN. / AFTER 30 CYCLES : 4.84N MIN. 35P : INITIAL : 6.50N MIN. / AFTER 30 CYCLES : 5.07N MIN. 40P : INITIAL : 7.00N MIN. / AFTER 30 CYCLES : 5.50N MIN. 50P : INITIAL : 8.00N MIN. / AFTER 30 CYCLES : 6.41N MIN.
CABLE RETENTION FORCE	10P : 4.90N MIN. 32P : 15.68N MIN. 14P : 6.86N MIN. 35P : 17.15N MIN. 20P : 9.80N MIN. 40P : 19.60N MIN. 30P : 14.70N MIN. 50P : 24.50N MIN.
PRODUCT SPECIFICATION	PRS-1239
TEST REPORT	TR-04037
INSTRUCTION MANUAL	HIM-04001
ASSEMBLY MANUAL	ASM-04001
APPEARANCE CRITERIA No.	QLS-A***

ANGLE	$\pm 2^\circ$	6 OVER 30 MAX.	± 0.3	PROJECTION 	SERIES No. R9R3	CUSTOMER COPY		
	6 MAX.	± 0.2	30 OVER 120 MAX.					
GENERAL TOLERANCE.				TITLE CABLINER [®] -SS PLUG FOR CABLE ASSEMBLY	SCALE 5:1 UNIT mm			
DWG.	DATE							
CHK.								
APP.								
				DWG. No.	20380	SIZE A3	SHEET 2/3	REV. 30

PART NO.	POS.	MATING RECEPT P/N	C	D	E
20380-R10T-06	10	20374-R10E-31	3.6	4.6	5.0
20380-R14T-06	14	20374-R14E-31	5.2	6.2	6.6
20380-R20T-06	20	20374-R20E-31	7.6	8.6	9.0
20380-R30T-06	30	20374-R30E-31	11.6	12.6	13.0
20380-R32T-06	32	20374-R32E-31	12.4	13.4	13.8
20380-R35T-06	35	20374-R35E-31	13.6	14.6	15.0
20380-R40T-16	40	20374-R40E-31	15.6	16.6	17.0
20380-R50T-16	50	20374-R50E-31	19.6	20.6	21.0



RECOMMENDED MICRO-COAXIAL CABLE DIMENSION (NTS)



MICRO-COAXIAL CABLE (AWG #42,40,36)

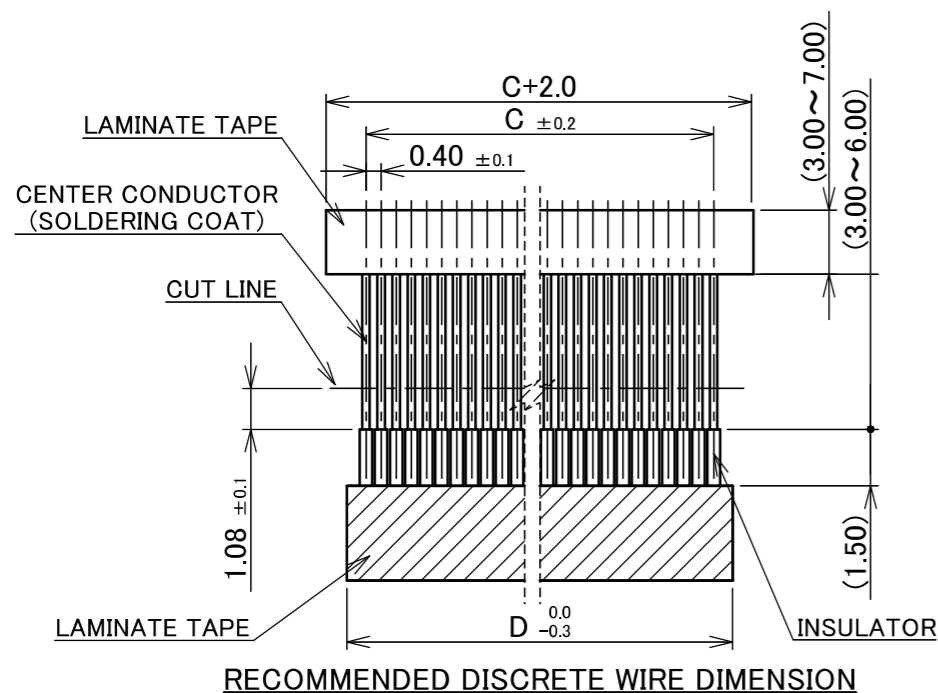
CHARACTERISTIC IMPEDANCE MACHING MICRO-COAXIAL CABLE

	a
#40	φ 0.09
#42	φ 0.075

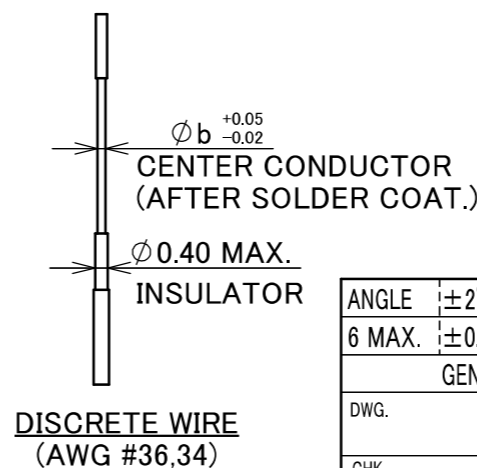
CHARACTERISTIC IMPEDANCE UN-MACHING MICRO-COAXIAL CABLE

	a
#36	φ 0.15

MICRO-COAXIAL CABLE #36 : NOT RECOMMENDED FOR HIGH SPEED SIGNAL TRANSFAER



RECOMMENDED DISCRETE WIRE DIMENSION



DISCRETE WIRE (AWG #36,34)

DISCRETE WIRE DIMENSION

	b
#34	φ 0.192
#36	φ 0.15

ANGLE	±2°	6 OVER 30 MAX.	±0.3	PROJECTION ⊕	SERIES No. R9R3	CUSTOMER COPY			
	6 MAX.	±0.2	30 OVER 120 MAX.						±0.5
GENERAL TOLERANCE.				TITLE		SCALE	I-PEX		
DWG.	DATE			CABLINER [®] -SS PLUG FOR CABLE ASSEMBLY		5:1			
CHK.						UNIT			
APP.						mm			
				DWG. No.	20380	SIZE	SHEET	REV.	
						A3	3/3	30	