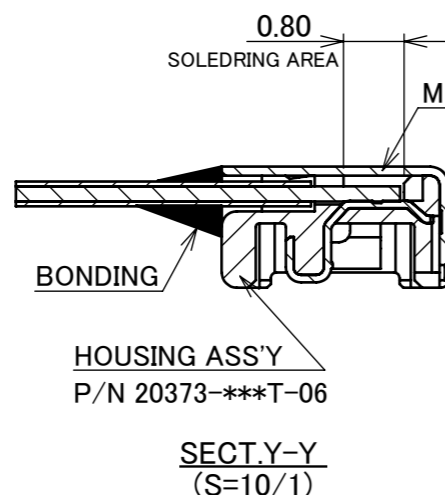
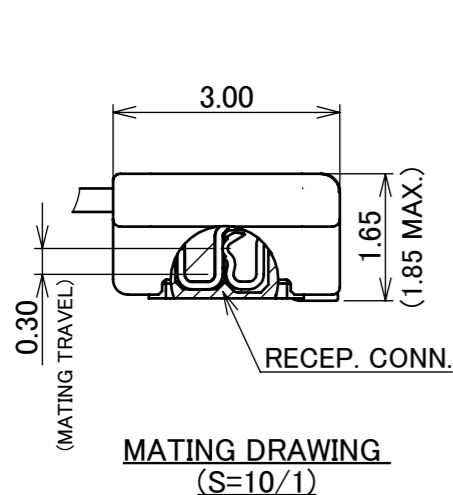
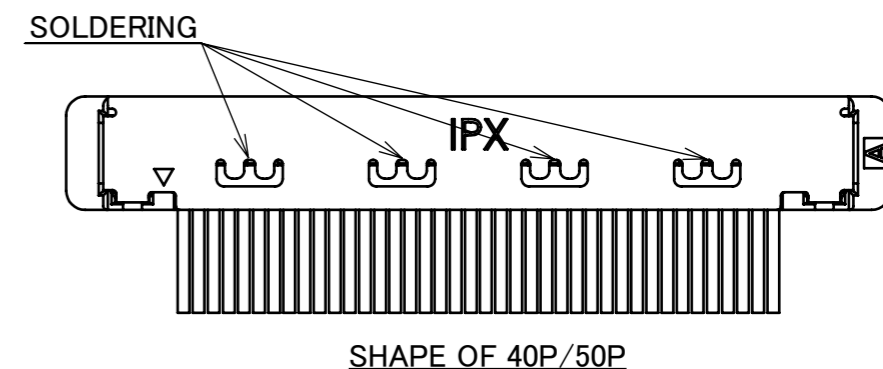
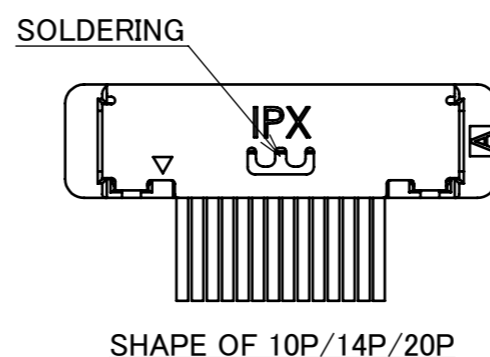
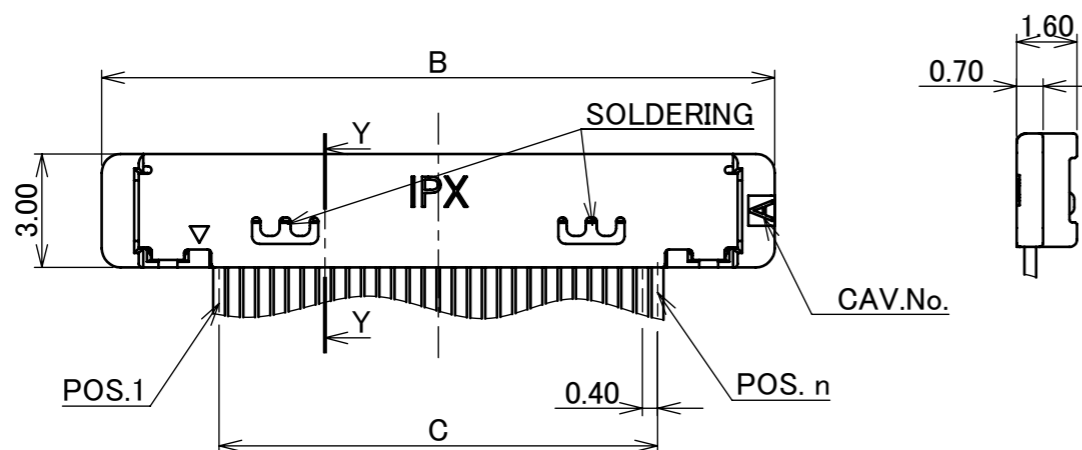
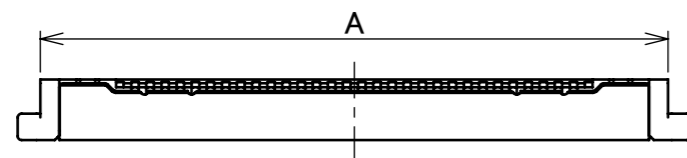
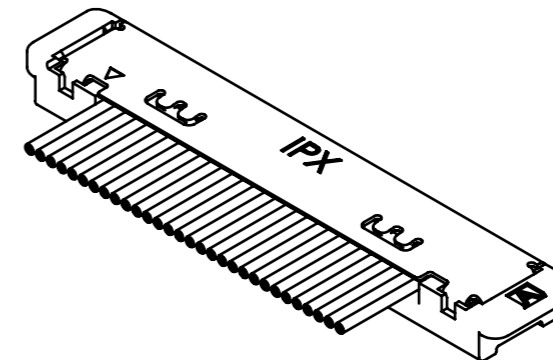


PART NO.	POS.	MATING RECP. P/N	A	B	C
20380-R10T-06	10	20374-R10E-31	8.6	9.8	3.6
20380-R14T-06	14	20374-R14E-31	10.2	11.4	5.2
20380-R20T-06	20	20374-R20E-31	12.6	13.8	7.6
20380-R30T-06	30	20374-R30E-31	16.6	17.8	11.6
20380-R32T-06	32	20374-R32E-31	17.4	18.6	12.4
20380-R35T-06	35	20374-R35E-31	18.6	19.8	13.6
20380-R40T-16	40	20374-R40E-31	20.6	21.8	15.6
20380-R50T-16	50	20374-R50E-31	24.6	25.8	19.6

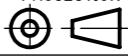


NOTES.
1. THE CABLE MUST NOT HOLD WHEN UN-MATING A CONNECTOR.

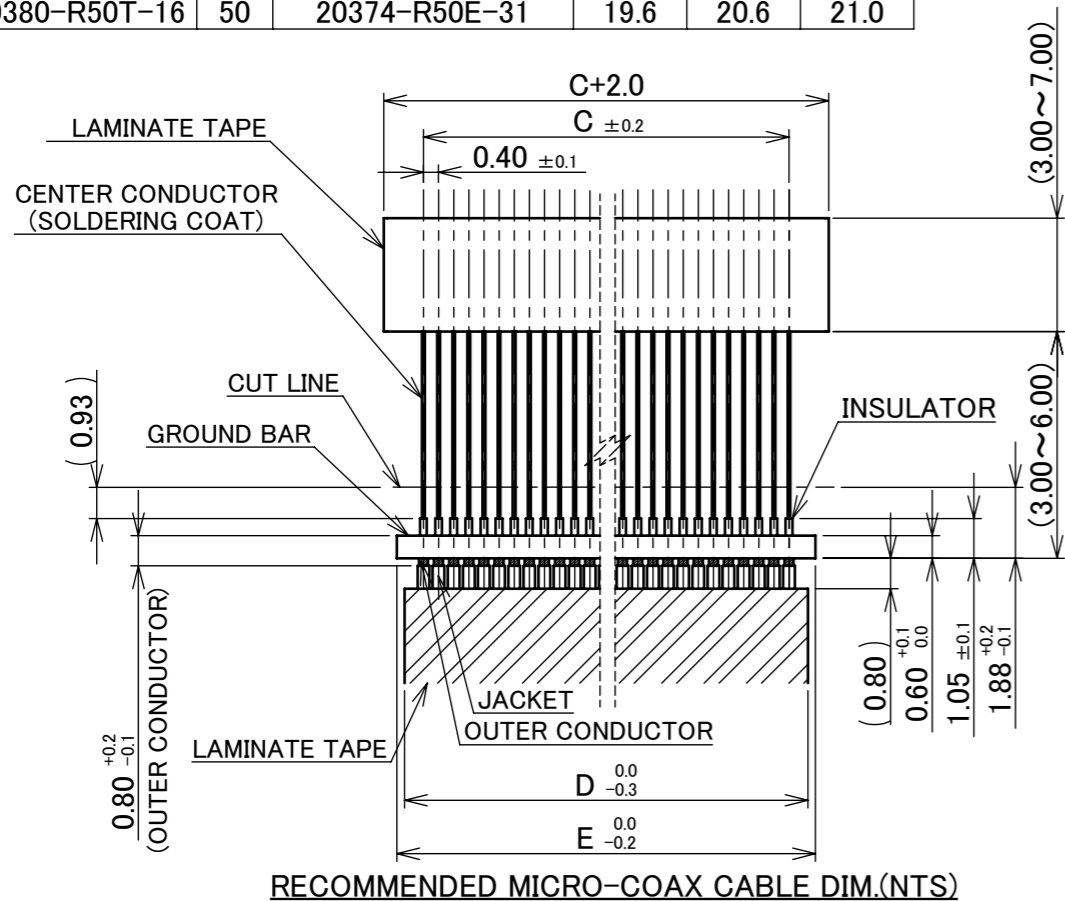
NO.	DISCRIPTION	MATERIAL	FINISH, REMARKS
3	METAL COVER	PHOSPHOR BRONZE	Sn REFLOW 1.00 μm MIN.
2	CONTACT	PHOSPHOR BRONZE	Au 0.10 μm MIN. OVER Ni 1.00 μm MIN.
1	HOUSING	LCP	UL94V-0, BLACK

REV.	ECN	BY	DATE	APP.	APP.	PROJECTION	SERIES No.	TITLE	SCALE	SHEET	REV.
					T.Harada	⊕	R9R3	CABLINER [®] -SS PLUG FOR CABLE ASS'Y	5:1	1/3	24
REVISION RECORD											
24	Z210420	T.T	Apr./21/'21	H.I	ANGLE	±2°	6 OVER 30 MAX.	±0.3	I-PEX		
23	Z210383	K.Hara	Apr./12/'21	H.I	6 MAX.	±0.2	30 OVER 120 MAX.	±0.5			
22	Z200346	K.Hara	Mar./26/'20	Y.S	GENERAL TOLERANCE.						
21	Z191219	K.Hara	Sept./12/'19	H.I	DWG.	H.Ikari	DATE	2004/07/30			
20	Z181296	H.K	Oct./24/'18	Y.S	CHK.	E.Kawabe					
19	Z171142	R.H	Oct./03/'17	M.T	APP.						

ITEMS	SPECIFICATION
APPLICABLE CABLE	MICRO COAX : AWG# 42 , 40 , 36 DISCRETE : AWG# 36 , 34
RATING VOLTAGE	100V AC (PER CONTACT)
RATING AMPERAGE (FOR CONTACT)	0.24A AC/DC [AWG#42] AVAILABLE TO 50 PIN 0.25A AC/DC [AWG#40] AVAILABLE TO 50 PIN 0.30A AC/DC [AWG#40] AVAILABLE TO 32 PIN 0.35A AC/DC [AWG#36] AVAILABLE TO 50 PIN 0.40A AC/DC [AWG#36] AVAILABLE TO 37 PIN 0.35A AC/DC [AWG#34] AVAILABLE TO 50 PIN 1.00A AC/DC [AWG#34] AVAILABLE TO 2 PIN
OPERATING TEMPERATURE	233~358K(-40°C~+85°C)
OPERATING HUMIDITY	85% MAX.(NON-CONDENSING)
CONTACT RESISTANCE	INITIAL : 180mohm MAX. (AWG#34) / AFTER TEST : \triangle 40mohm MAX. 230mohm MAX. (AWG#36) 530mohm MAX. (AWG#40) 700mohm MAX. (AWG#42)
GROUND SHELL RESISTANCE	INITIAL : 50mohm MAX. / AFTER TEST : \triangle 40mohm MAX.
INSULATION RESISTANCE	INITIAL : 1000Mohm MIN. / AFTER TEST : 500Mohm MIN.
DIELECTRIC WITHSTANDING VOLTAGE	AC250V 1min
DURABILITY	30 CYCLES
MATING FORCE (INITIAL / AFTER TEST)	10P : 29.00N MAX. 32P : 33.40N MAX. 14P : 29.80N MAX. 35P : 34.00N MAX. 20P : 31.00N MAX. 40P : 35.00N MAX. 30P : 33.00N MAX. 50P : 38.00N MAX.
UNMATING FORCE (INITIAL / AFTER TEST)	10P : INITIAL : 4.00N MIN. / AFTER 30 CYCLES : 2.87N MIN. 14P : INITIAL : 4.40N MIN. / AFTER 30 CYCLES : 3.23N MIN. 20P : INITIAL : 5.00N MIN. / AFTER 30 CYCLES : 3.76N MIN. 30P : INITIAL : 6.00N MIN. / AFTER 30 CYCLES : 4.65N MIN. 32P : INITIAL : 6.20N MIN. / AFTER 30 CYCLES : 4.84N MIN. 35P : INITIAL : 6.50N MIN. / AFTER 30 CYCLES : 5.07N MIN. 40P : INITIAL : 7.00N MIN. / AFTER 30 CYCLES : 5.50N MIN. 50P : INITIAL : 8.00N MIN. / AFTER 30 CYCLES : 6.41N MIN.
CABLE RETENTION FORCE	10P : 4.90N MIN. 32P : 15.68N MIN. 14P : 6.86N MIN. 35P : 17.15N MIN. 20P : 9.80N MIN. 40P : 19.60N MIN. 30P : 14.70N MIN. 50P : 24.50N MIN.
PRODUCT SPECIFICATION	PRS-1239
TEST REPORT	TR-04037
INSTRUCTION MANUAL	HIM-04001
ASSEMBLY MANUAL	ASM-04001
APPEARANCE CRITERIA No.	QLS-A***

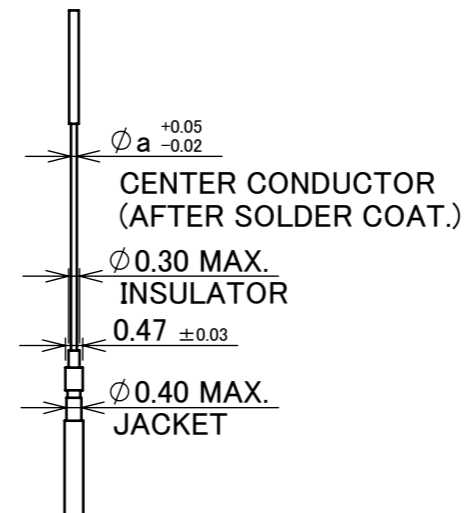
ANGLE	$\pm 2^\circ$	6 OVER 30 MAX.	± 0.3	PROJECTION 	SERIES No. R9R3	CUSTOMER COPY		
6 MAX.	± 0.2	30 OVER 120 MAX.	± 0.5					
GENERAL TOLERANCE.				TITLE CABLIN [®] -SS PLUG FOR CABLE ASS'Y	SCALE -	I-PEX		
DWG.	DATE							
CHK.								
APP.								
				DWG. No.	20380	SIZE A3	SHEET 2/3	REV. 24

PART NO.	POS.	MATING RECP. P/N	C	D	E
20380-R10T-06	10	20374-R10E-31	3.6	4.6	5.0
20380-R14T-06	14	20374-R14E-31	5.2	6.2	6.6
20380-R20T-06	20	20374-R20E-31	7.6	8.6	9.0
20380-R30T-06	30	20374-R30E-31	11.6	12.6	13.0
20380-R32T-06	32	20374-R32E-31	12.4	13.4	13.8
20380-R35T-06	35	20374-R35E-31	13.6	14.6	15.0
20380-R40T-16	40	20374-R40E-31	15.6	16.6	17.0
20380-R50T-16	50	20374-R50E-31	19.6	20.6	21.0

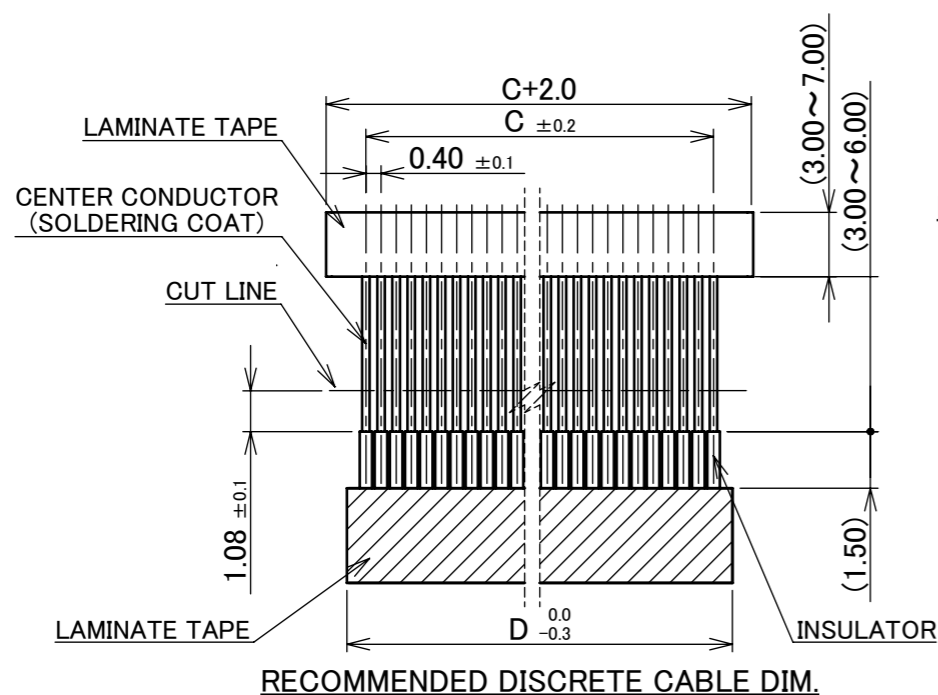


MICRO COAX CABLE DIMENSION

	a
#36	φ 0.15
#40	φ 0.09
#42	φ 0.075

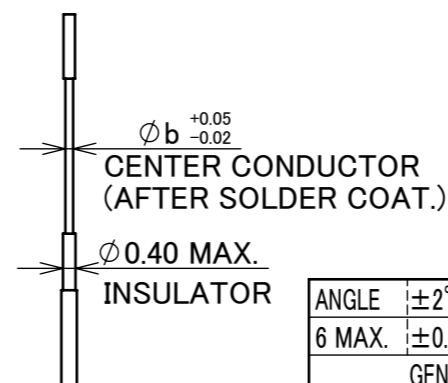


MICRO COAX CABLE (AWG #42,40,36)



DISCRETE CABLE DIMENSION

	b
#34	φ 0.192
#36	φ 0.15



DISCRETE CABLE (AWG #36,34)

ANGLE	±2°	6 OVER 30 MAX.	±0.3	PROJECTION ⊕	SERIES No. R9R3	CUSTOMER COPY			
	6 MAX.	±0.2	30 OVER 120 MAX.						±0.5
GENERAL TOLERANCE.				TITLE CABLIN [®] -SS PLUG FOR CABLE ASS'Y		SCALE 5:1	I-PEX		
DWG.	DATE			UNIT mm					
CHK.				DWG. No. 20380		SIZE A3	SHEET 3/3	REV. 24	