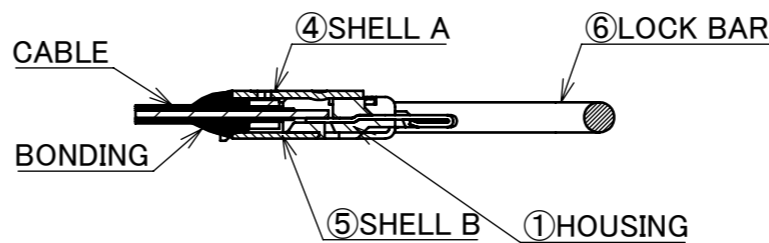
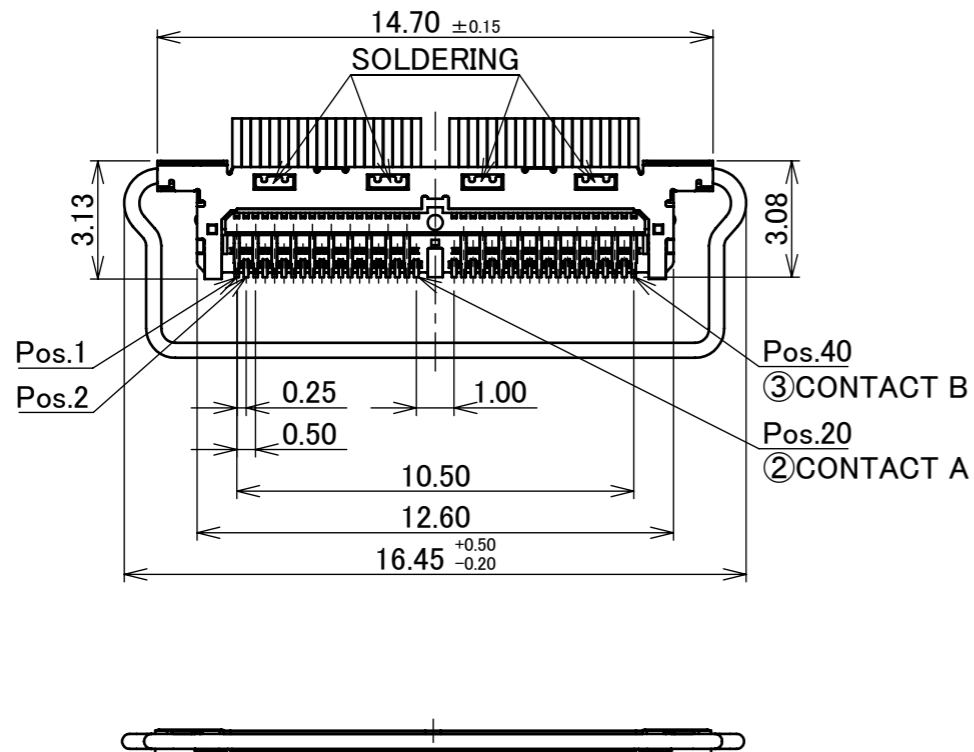


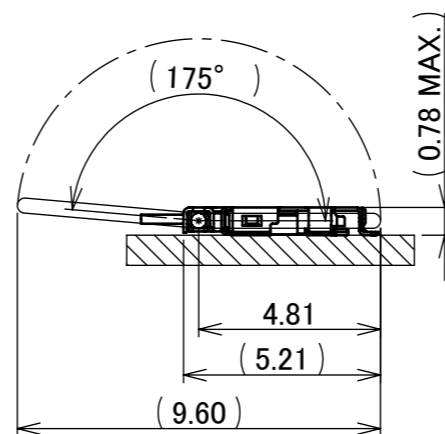
PART NO.	Pos.
20978-040T-01	40



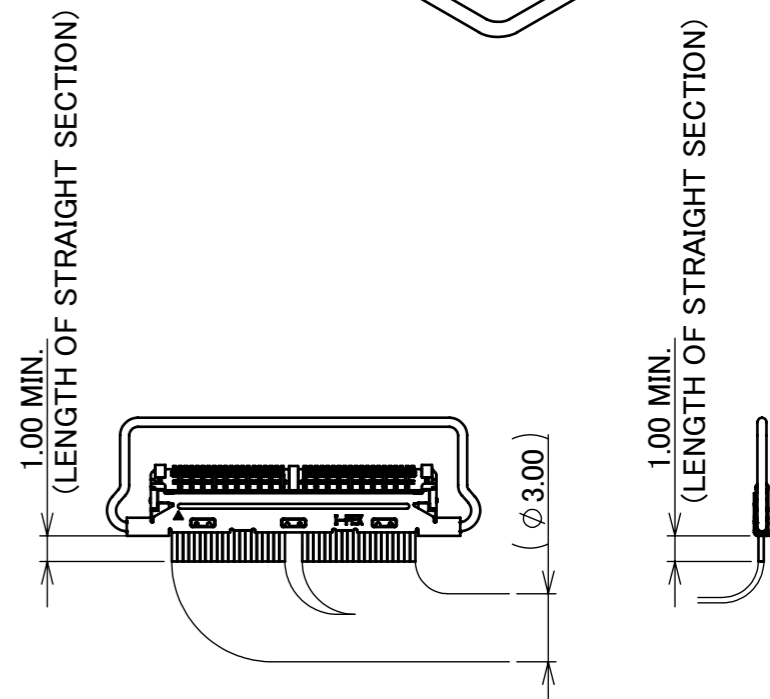
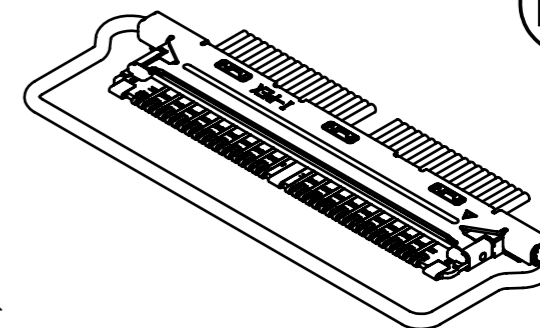
BOTTOM VIEW



SECT. AA-AA
(S= 10 : 1)

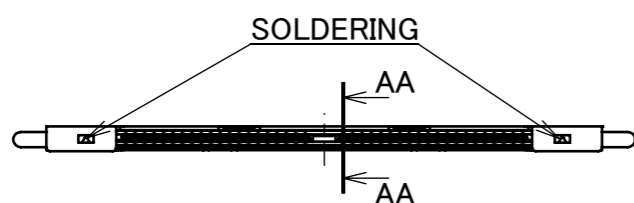
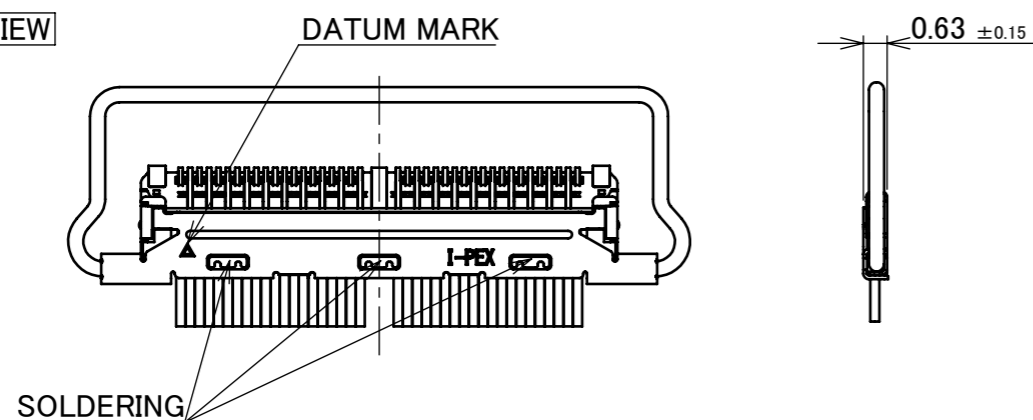


LOCK BAR MOVEMENT



RECOMMENDED CABLE BENDING DIMENSIONS

TOP VIEW

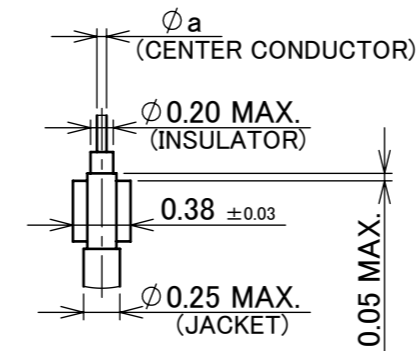
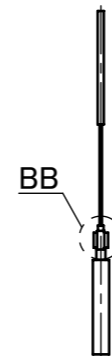
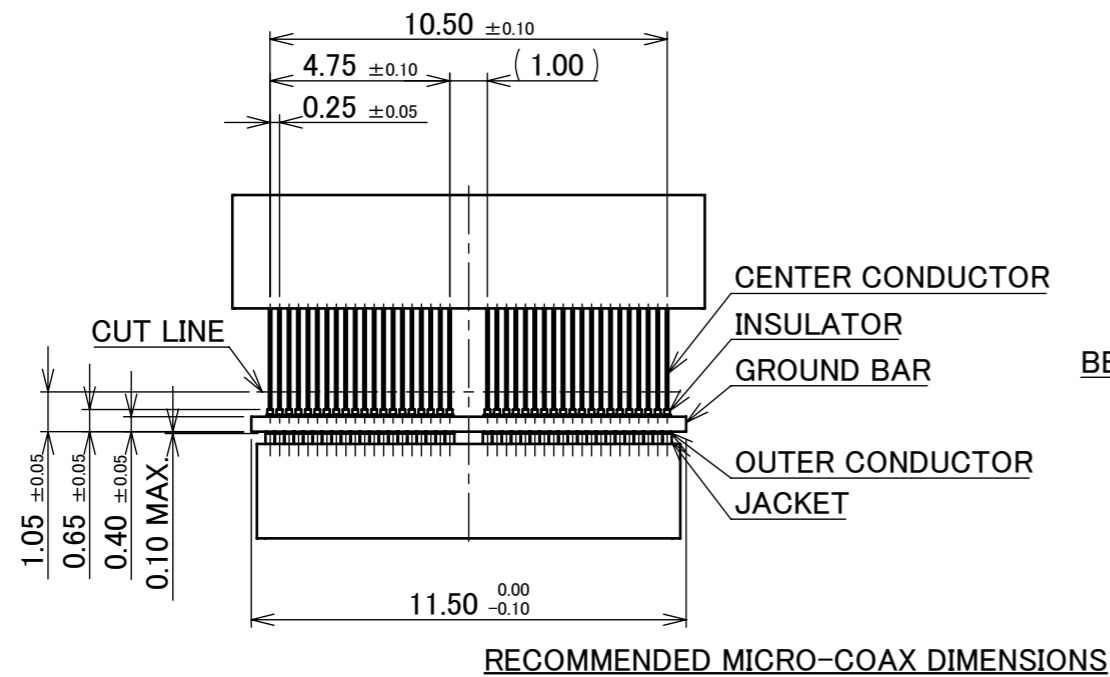


NO.	DISCRIPTION	MATERIAL	FINISH , REMARKS
6	LOCK BAR	SUS	-
5	SHELL B	SUS	PARTIAL Au 0.003 μ m MIN. OVER Ni 1.00 μ m MIN.
4	SHELL A	SUS	PARTIAL Au 0.003 μ m MIN. OVER Ni 1.00 μ m MIN.
3	CONTACT B	CORSON ALLOY	CONTACT AREA : Au 0.25 μ m MIN. OVER Ni 2.00 μ m MIN. SOLDERING AREA : Au 0.03 μ m MIN. OVER Ni 1.00 μ m MIN.
2	CONTACT A	CORSON ALLOY	CONTACT AREA : Au 0.25 μ m MIN. OVER Ni 2.00 μ m MIN. SOLDERING AREA : Au 0.03 μ m MIN. OVER Ni 1.00 μ m MIN.
1	HOUSING	LCP	UL94V-0, BLACK

					ANGLE	±2°	6 OVER 30 MAX.	±0.3	PROJECTION	SERIES No.	CUSTOMER COPY			
						6 MAX.	±0.2	30 OVER 120 MAX.	⊕	R0R0R0				
					GENERAL TOLERANCE.				TITLE		SCALE			
					DWG.	S.Yamaguchi	DATE	Aug./08/'19	CABLIN [®] -CX II		5:1			
					CHK.	T.Kurachi	DATE	Aug./08/'19	PLUG WITHOUT COVER		UNIT			
					APP.	Y.Shimada	DATE	Aug./08/'19	CABLE ASS'Y		mm			
0	Z191044	S.Y	Aug./08/'19	APP.					DWG. No.	20978	SIZE	A3		
REVISION RECORD											SHEET	1/3	REV.	0

ITEMS	SPECIFICATION
APPLICABLE CABLE	MICRO COAX : AWG# 46,44 DISCRETE : AWG# 39
RATING VOLTAGE	100V AC (PER CONTACT)
RATING AMPERAGE (FOR CONTACT)	0.10A AC/DC [AWG#46] PER CONTACT/UP TO 40 CONTACTS 0.15A AC/DC [AWG#44] PER CONTACT/UP TO 40 CONTACTS 0.50A AC/DC [AWG#39] PER CONTACT/UP TO 7 CONTACTS ※TESTING BY A REAL MACHINE IS RECOMMENDED BECAUSE TEMPERTURE RISE MAY AFFECTED BY ACTUAL SITUATION
OPERATING TEMPERATURE	233~358K(-40°C~+85°C) (CONTAINING TEMPERATURE RISE BY CURRENT)
OPERATING HUMIDITY	85% MAX.(NON-CONDENSING)
CONTACT RESISTANCE	INITIAL : 388mohm MAX.(AWG#39) / AFTER TEST : \triangle 40mohm MAX. INITIAL : 1,080mohm MAX.(AWG#44) INITIAL : 1,830mohm MAX.(AWG#46)
GROUND SHELL RESISTANCE	INITIAL : 50mohm MAX. / AFTER TEST : \triangle 40mohm MAX.
INSULATION RESISTANCE	INITIAL : 1,000Mohm MIN. / AFTER TEST : 500Mohm MIN.
DIELECTRIC WITHSTANDING VOLTAGE	AC250V 1min
DURABILITY	20 CYCLES
MATING FORCE (INITIAL / 20 CYCLES)	40P : 30.0N MAX.
UNMATING FORCE (INITIAL / 20 CYCLES)	40P : 4.0N MIN.
CABLE RETENTION FORCE	40P : 19.60N MIN.
PRODUCT SPECIFICATION	PRS-2403
TEST REPORT	TR-17063
INSTRUCTION MANUAL	HIM-17040
ASSEMBLY MANUAL	ASM-17011
APPEARANCE CRITERIA No.	QLS-A***

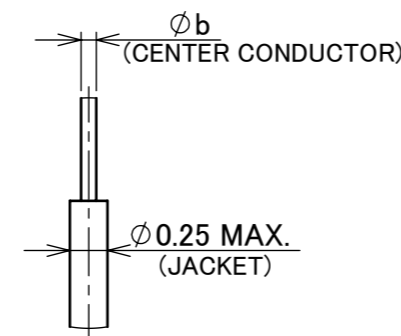
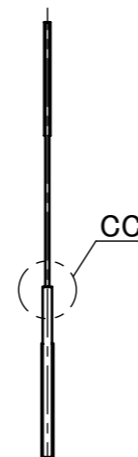
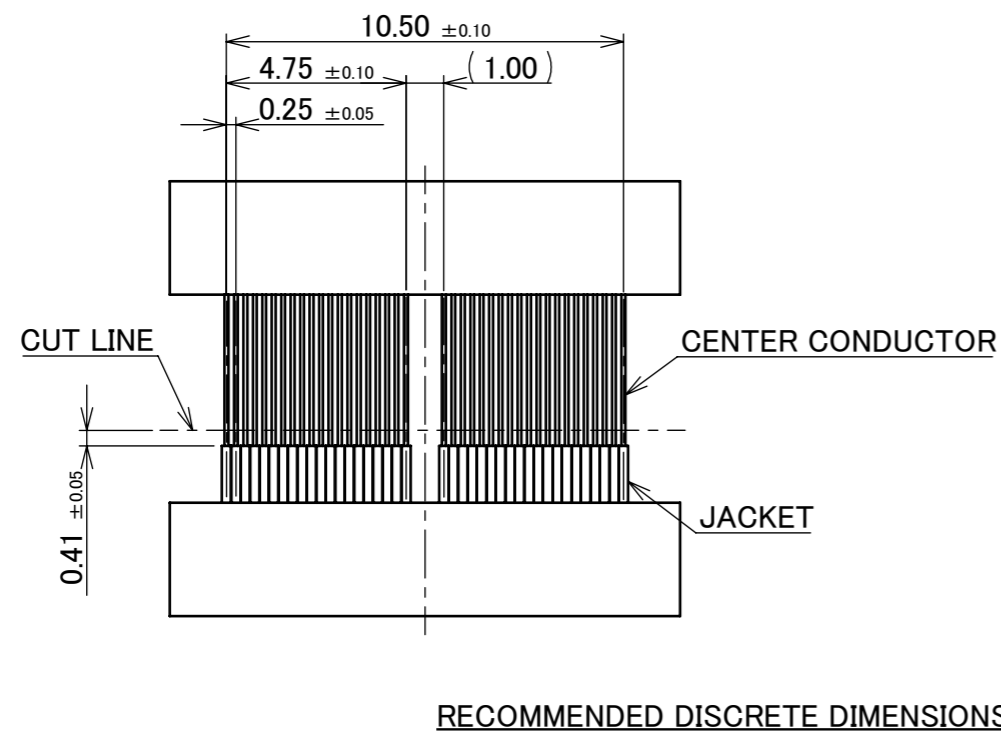
ANGLE	$\pm 2^\circ$	6 OVER 30 MAX.	± 0.3	PROJECTION 	SERIES No. R0R0R0	CUSTOMER COPY
6 MAX.	± 0.2	30 OVER 120 MAX.	± 0.5			
GENERAL TOLERANCE.				TITLE CABLIN [®] -CX II PLUG WITHOUT COVER CABLE ASS'Y	SCALE 1:X UNIT mm	SHEET 2/3 REV. 0
DWG.	DATE					
CHK.	DATE					
APP.	DATE					
				DWG. No.	20978	SIZE A3



MICRO COAX CABLE DIMENSION

	a
#39	0.102
#44	0.063
#46	0.048

MICRO COAX CABLE #39 : NOT RECOMMENDED
FOR HIGH SPEED SIGNAL TRANSFER



DISCRETE CABLE DIMENSION

	b
#39	0.102

ANGLE	±2°	6 OVER 30 MAX.	±0.3	PROJECTION ⊕	SERIES No. R0R0R0	CUSTOMER COPY
	6 MAX.	±0.2	30 OVER 120 MAX.			
GENERAL TOLERANCE.				TITLE CABLIN [®] -CX II PLUG WITHOUT COVER CABLE ASS'Y	SCALE 5:1 UNIT mm	I-PEX
DWG.	DATE					
CHK.	DATE					
APP.	DATE					
DWG. No.				20978	SIZE A3	SHEET 3/3 REV. 0