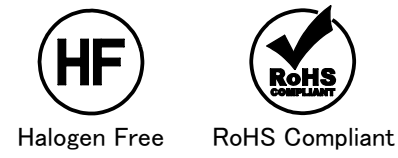
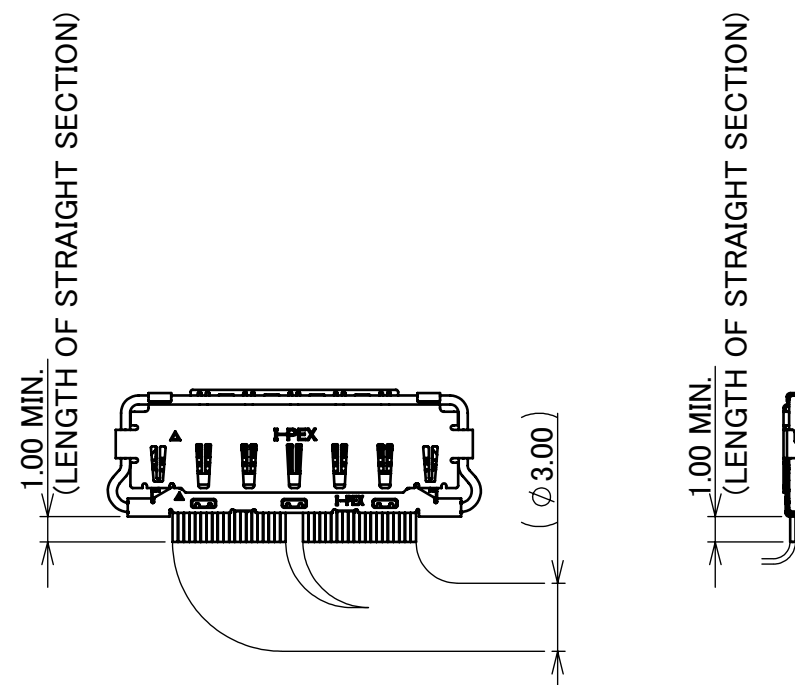
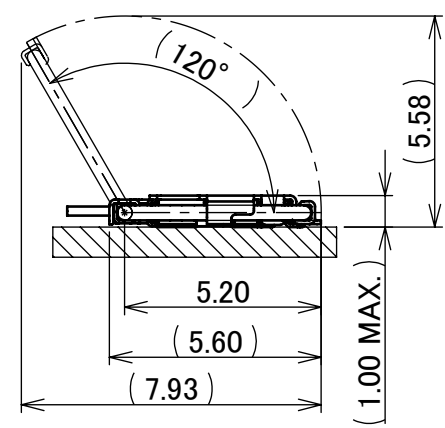
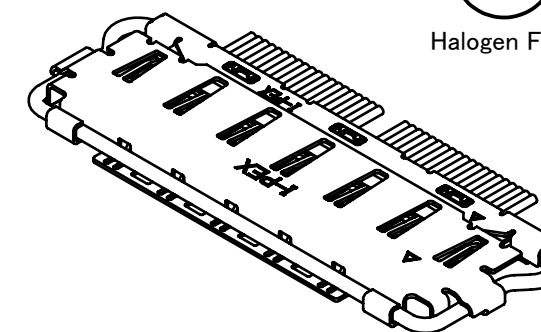
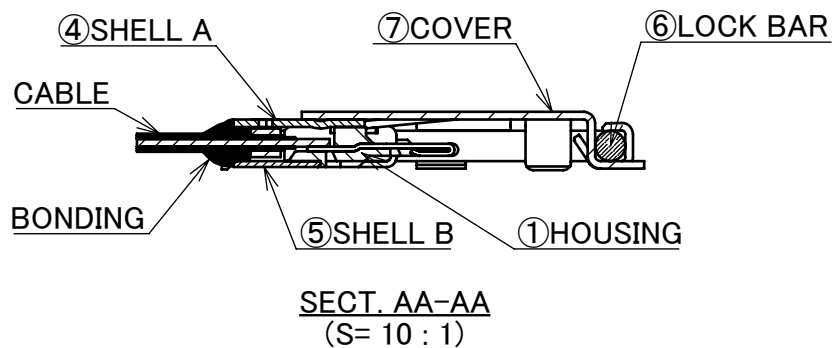
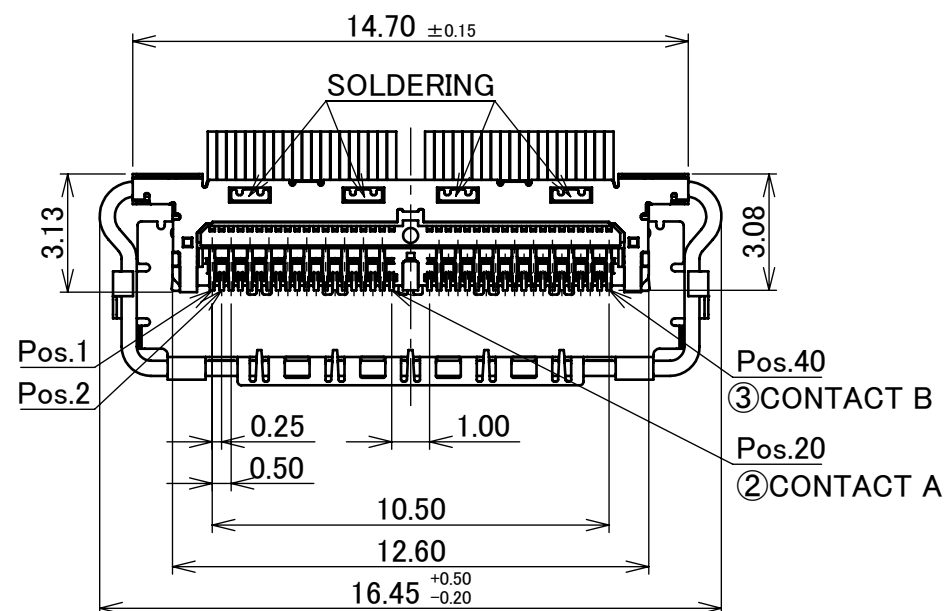


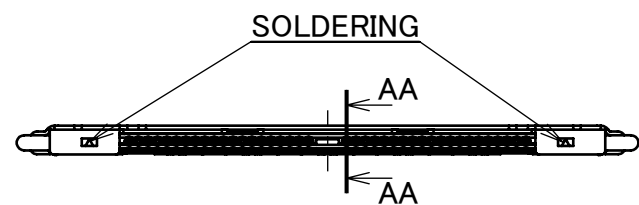
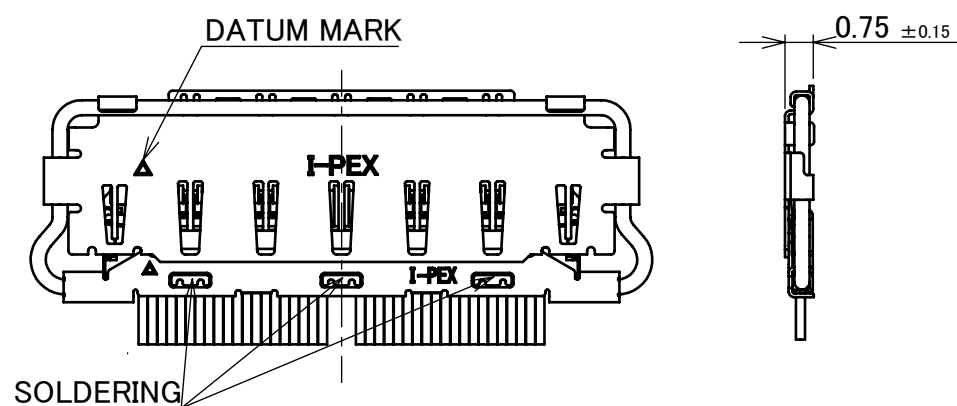
PART NO.	Pos.
20977-040T-01	40



BOTTOM VIEW



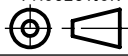

TOP VIEW

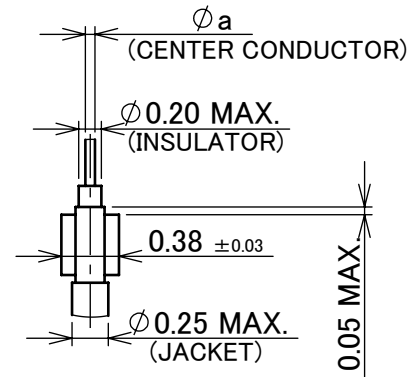
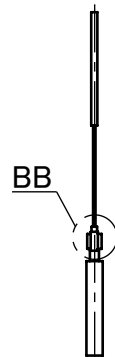
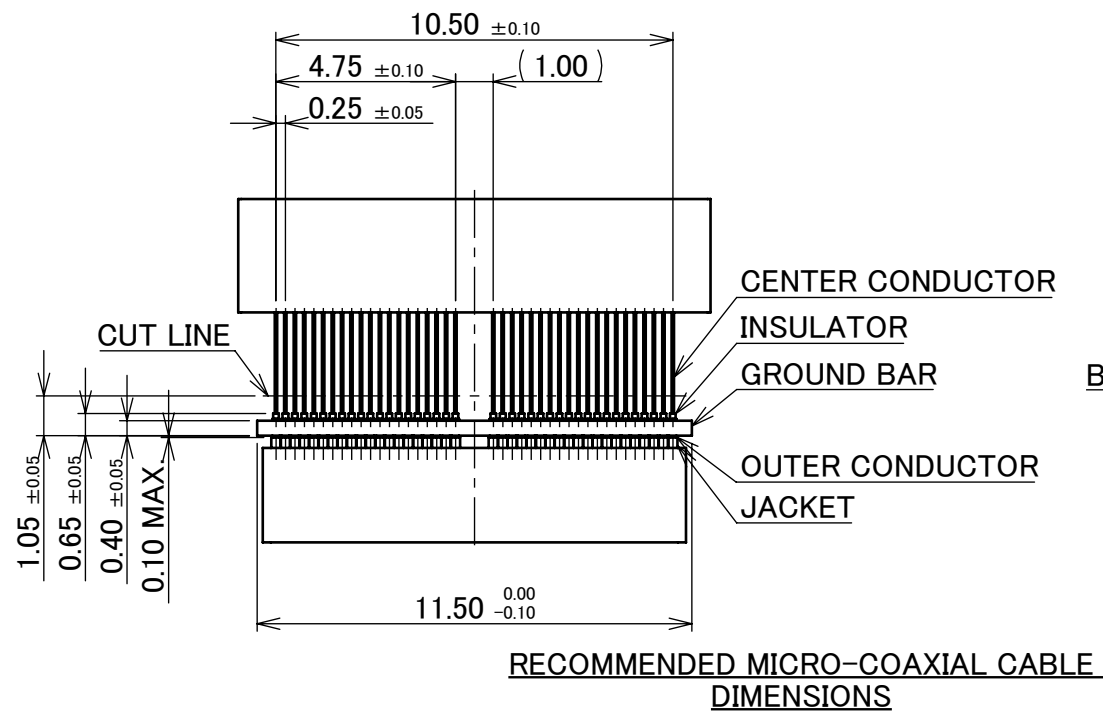


7	COVER	PHOSPHOR BRONZE	ALL OVER Ni 1.00 μm MIN.
6	LOCK BAR	SUS	-
5	SHELL B	SUS	PARTIAL Au 0.003 μm MIN. OVER Ni 1.00 μm MIN.
4	SHELL A	SUS	PARTIAL Au 0.003 μm MIN. OVER Ni 1.00 μm MIN.
3	CONTACT B	CORSON ALLOY	CONTACT AREA : Au 0.25 μm MIN. OVER Ni 2.00 μm MIN. SOLDERING AREA : Au 0.03 μm MIN. OVER Ni 1.00 μm MIN.
2	CONTACT A	CORSON ALLOY	CONTACT AREA : Au 0.25 μm MIN. OVER Ni 2.00 μm MIN. SOLDERING AREA : Au 0.03 μm MIN. OVER Ni 1.00 μm MIN.
1	HOUSING	LCP	UL94V-0, BLACK
NO.	DISCRIPTION	MATERIAL	FINISH , REMARKS

					ANGLE	±2°	6 OVER 30 MAX.	±0.3	PROJECTION	SERIES No.	CUSTOMER COPY		
						6 MAX.	±0.2	30 OVER 120 MAX.	⊕	R1/R0/R0			
					GENERAL TOLERANCE.				TITLE		SCALE		
2	Z240027	R.H	2024/01/10	H.I	DWG.	DATE		CABLINER [®] -CX II		5:1			
1	Z230096	R.H	2023/01/24	H.I	S.Yamaguchi		2019/08/08	PLUG WITH COVER		UNIT	I-PEX		
0	Z191044	S.Y	2019/08/08		CHK.			CABLE ASSEMBLY		mm			
REV.	ECN	BY	DATE	APP.	APP.			DWG. No.		SIZE	SHEET	REV.	
REVISION RECORD					Y.Shimada		20977		A3	1/3	2		

ITEMS	SPECIFICATION
APPLICABLE CABLE	MICRO-COAXIAL CABLE : AWG# 46,44,39 DISCRETE WIRE : AWG# 39
RATING VOLTAGE	100V AC (PER CONTACT PIN)
RATING AMPERAGE (FOR CONTACT)	0.10A AC/DC [AWG#46] PER CONTACT PIN/UP TO 40 CONTACTS 0.15A AC/DC [AWG#44] PER CONTACT PIN/UP TO 40 CONTACTS 0.50A AC/DC [AWG#39] PER CONTACT PIN/UP TO 8 CONTACTS ※TESTING BY A REAL MACHINE IS RECOMMENDED BECAUSE TEMPERTURE RISE MAY AFFECTED BY ACTUAL SITUATION
OPERATING TEMPERATURE	233~358K(-40°C~+85°C) (CONTAINING TEMPERATURE RISE BY CURRENT)
OPERATING HUMIDITY	85% MAX.(NON-CONDENSING)
CONTACT RESISTANCE	INITIAL : 388mohm MAX.(AWG#39) / AFTER TEST : \triangle 40mohm MAX. INITIAL : 1,080mohm MAX.(AWG#44) INITIAL : 1,830mohm MAX.(AWG#46)
GROUND SHELL RESISTANCE	INITIAL : 50mohm MAX. / AFTER TEST : \triangle 40mohm MAX.
INSULATION RESISTANCE	INITIAL : 1,000Mohm MIN. / AFTER TEST : 500Mohm MIN.
DIELECTRIC WITHSTANDING VOLTAGE	AC250V 1min
DURABILITY	20 CYCLES
MATING FORCE (INITIAL / 20 CYCLES)	40P : 30.0N MAX.
UNMATING FORCE (INITIAL / 20 CYCLES)	40P : 4.0N MIN.
CABLE RETENTION FORCE	40P : 19.60N MIN.
PRODUCT SPECIFICATION	PRS-2403
TEST REPORT	TR-17063
INSTRUCTION MANUAL	HIM-17035
ASSEMBLY MANUAL	ASM-17008
APPEARANCE CRITERIA No.	QLS-A***

ANGLE	$\pm 2^\circ$	6 OVER 30 MAX.	± 0.3	PROJECTION 	SERIES No. R1/R0/R0	CUSTOMER COPY		
	6 MAX.	± 0.2	30 OVER 120 MAX.					
GENERAL TOLERANCE.				TITLE CABLIN [®] -CX II PLUG WITH COVER CABLE ASSEMBLY	SCALE 5:1 UNIT mm			
DWG.	DATE							
CHK.								
APP.								
				DWG. No.	20977	SIZE A3	SHEET 2/3	REV. 2



DETAIL BB
(S= 20 : 1)

CHARACTERISTIC IMPEDANCE MATCHING MICRO-COAXIAL CABLE

	a
#44	0.063
#46	0.048

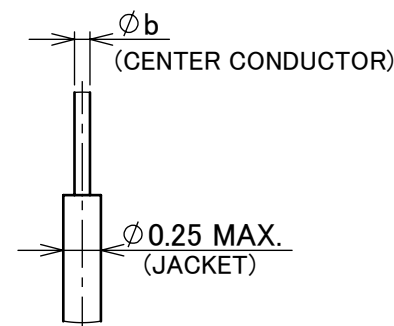
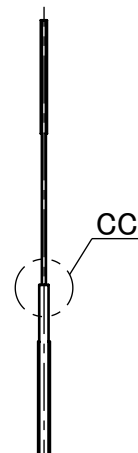
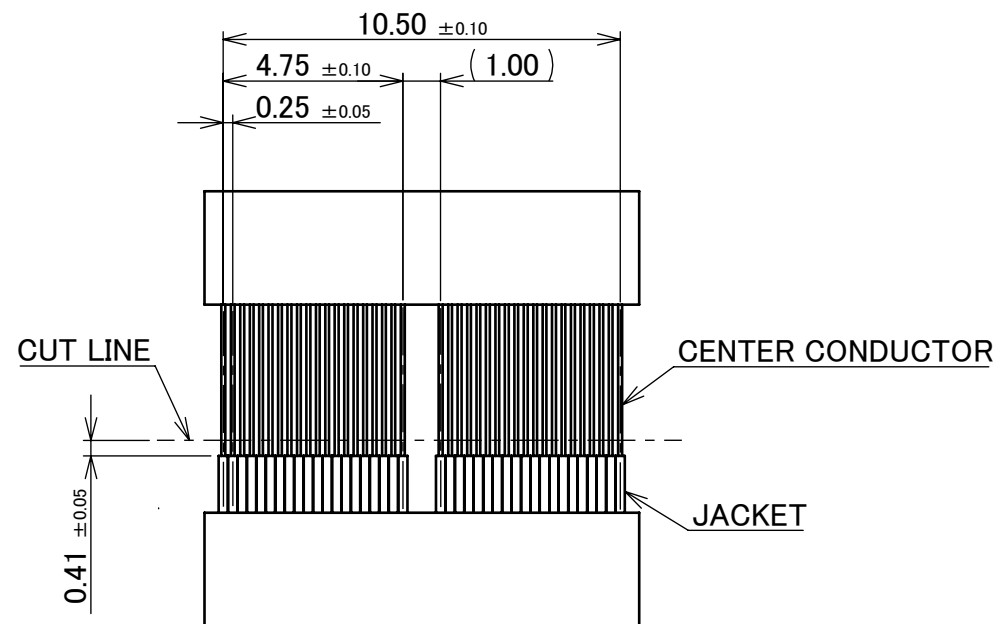
CHARACTERISTIC IMPEDANCE UN-MATCHING MICRO-COAXIAL CABLE

	a
#39	0.102

MICRO-COAXIAL CABLE #39 : NOT RECOMMENDED
FOR HIGH SPEED SIGNAL TRANSFER

DISCRETE WIRE DIMENSION

	b
#39	0.102



DETAIL CC
(S= 20 : 1)

ANGLE	±2°	6 OVER 30 MAX.	±0.3	PROJECTION ⊕	SERIES No. R1/R0/R0	CUSTOMER COPY			
6 MAX.	±0.2	30 OVER 120 MAX.	±0.5						
GENERAL TOLERANCE.				TITLE		SCALE	I-PEX		
DWG.	DATE			CABLIN [®] -CX II PLUG WITH COVER CABLE ASSEMBLY		5:1			
CHK.						UNIT			
APP.				DWG. No. 20977		mm			
						SIZE	SHEET	REV.	
						A3	3/3	2	