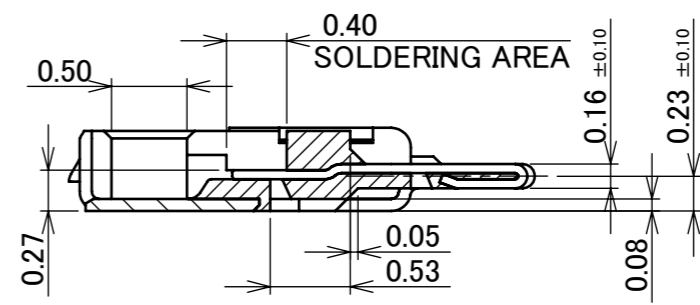
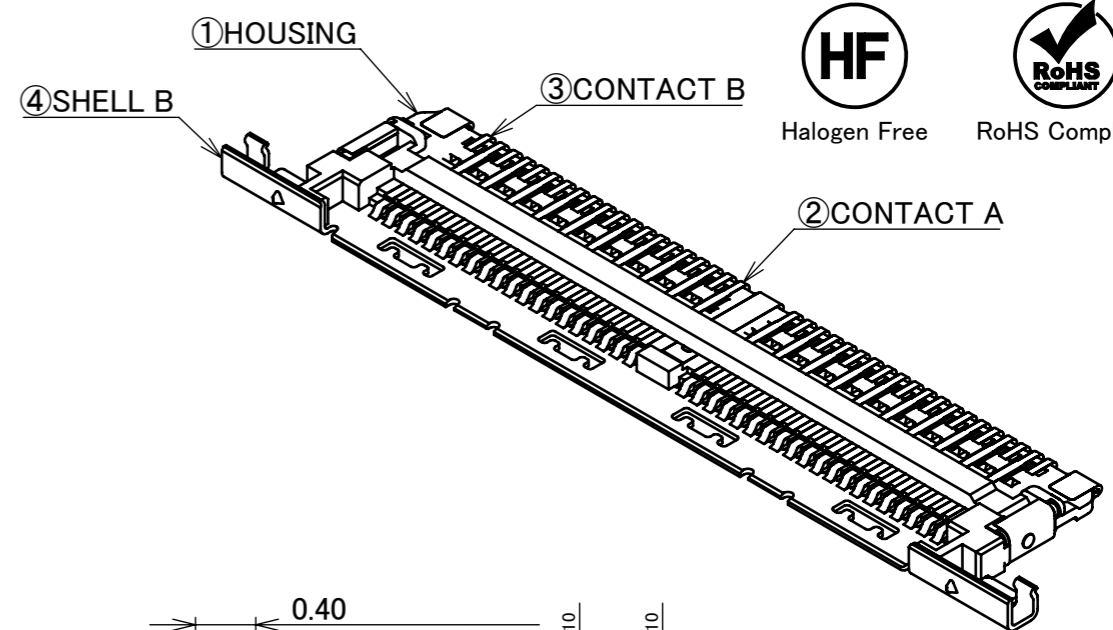


Recommended P/N 20974-040T-01

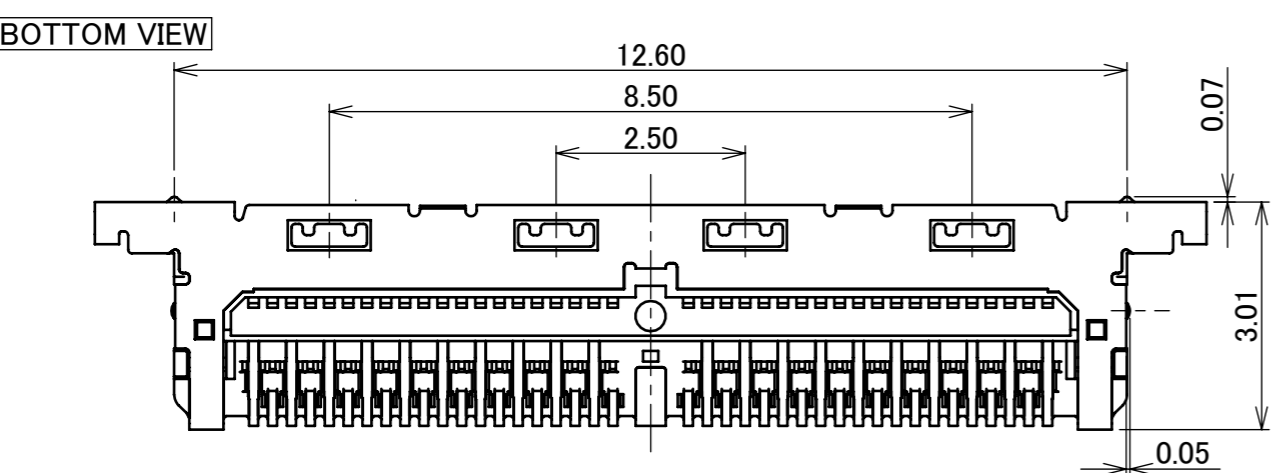
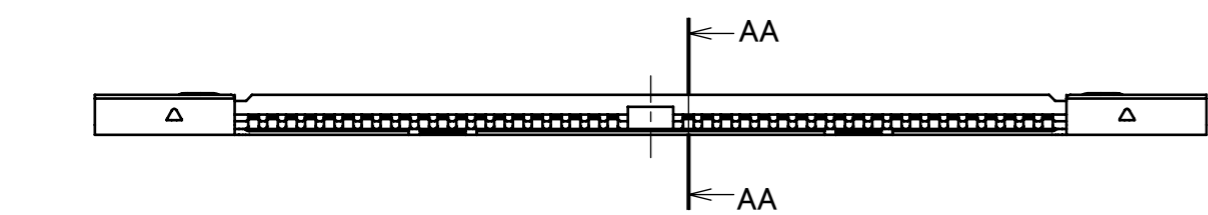
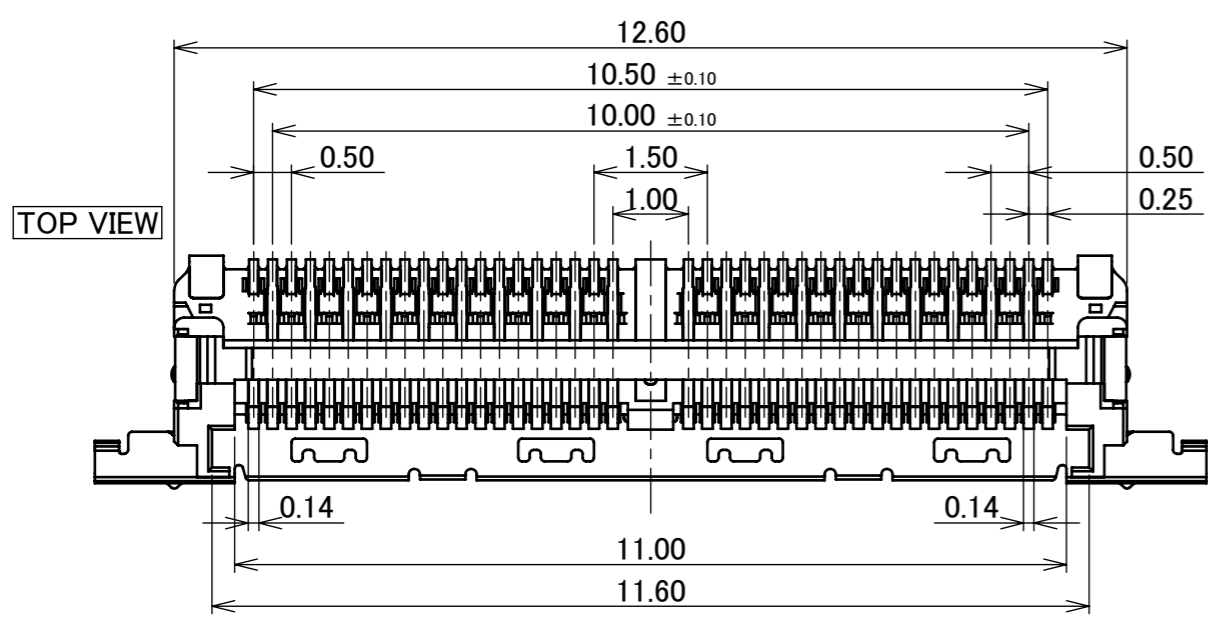
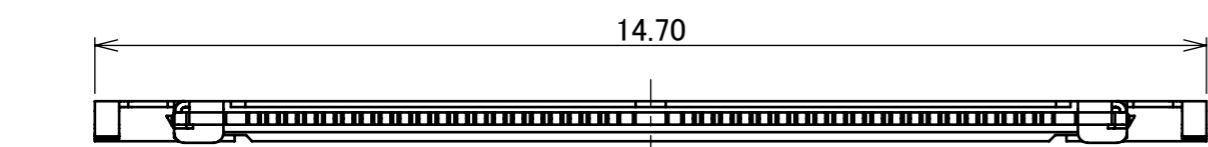
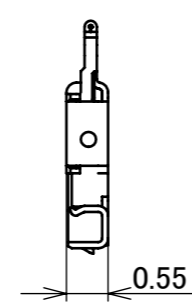
PART NO.	Pos.
20974-040T-01	40



Halogen Free RoHS Compliant



SECT. AA-AA
(S= 20 : 1)



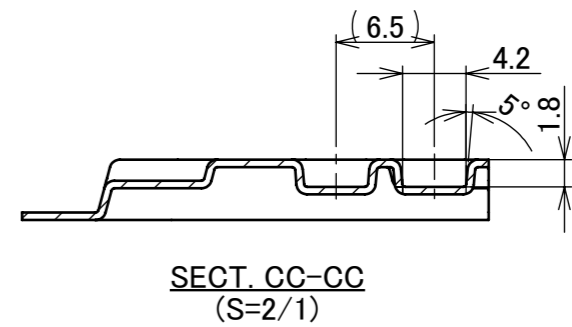
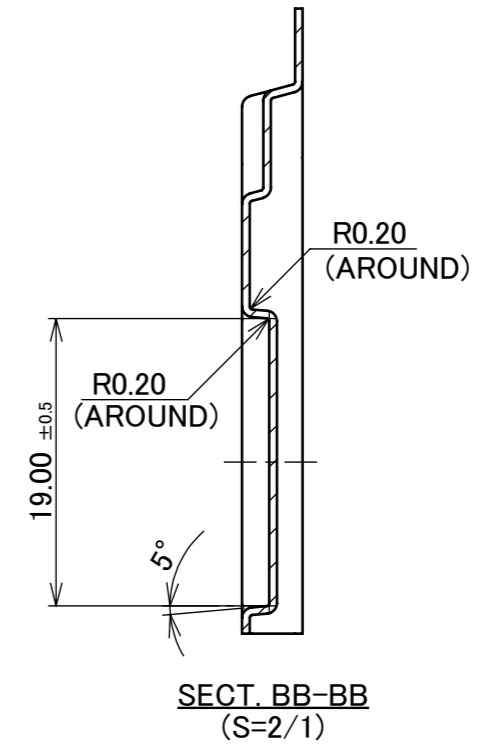
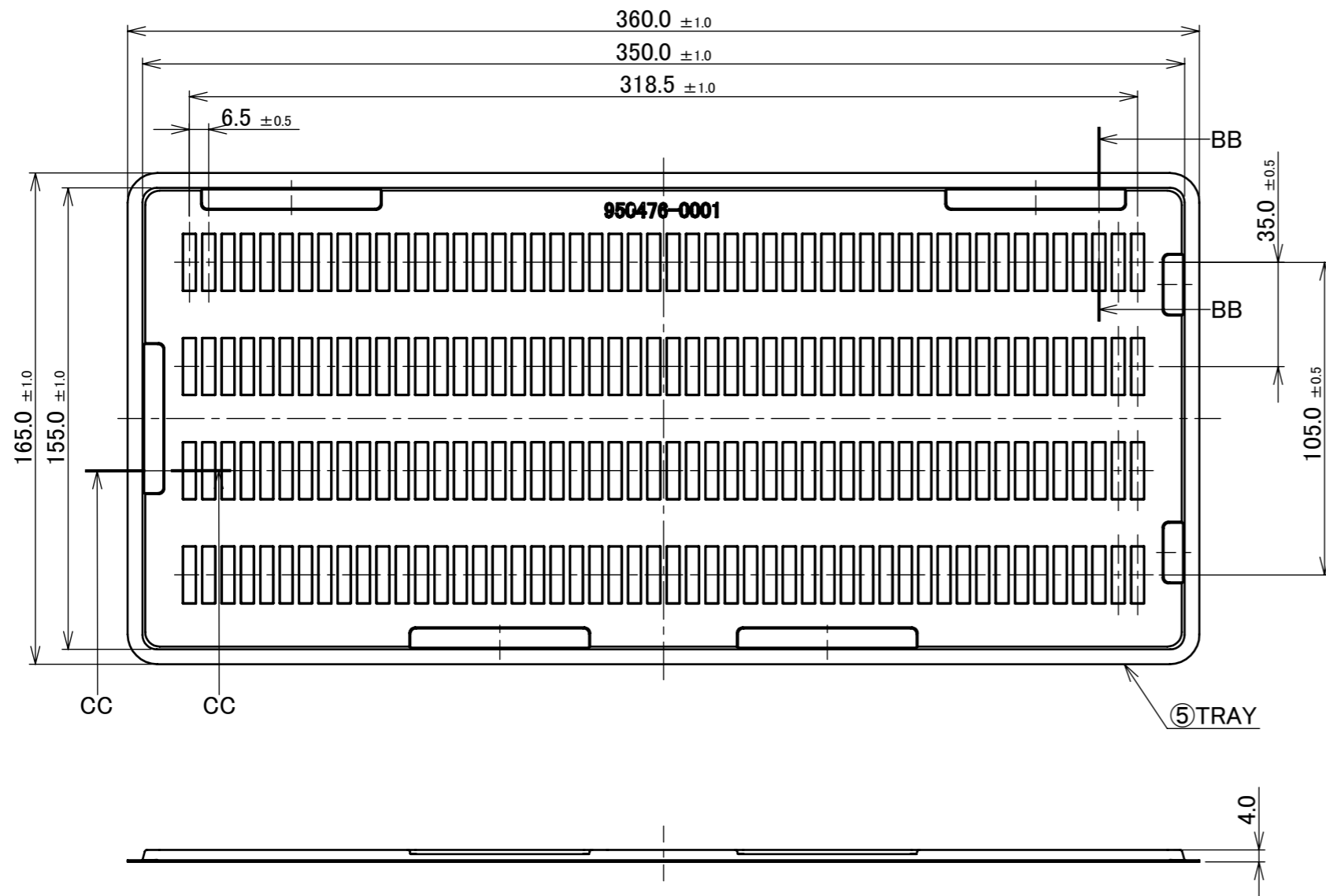
NOTES.

- 1. ASSEMBLY
 - 1-1. 20977-040T-01
THIS PART IS ASSEMBLED WITH SHELL A (P/N 3655-0401) AND LOCK BAR ASS'Y (P/N 20975-040T-01) AFTER SOLDERED THE CABLE.
 - 1-2. 20978-040T-01
THIS PART IS ASSEMBLED WITH SHELL A (P/N 3655-0401) AND LOCK BAR (P/N 3656-0402) AFTER SOLDERED THE CABLE.

NO.	DISCRIPTION	MATERIAL	FINISH , REMARKS
4	SHELL B	SUS	PARTIAL Au 0.003 μm MIN. OVER Ni 1.00 μm MIN.
3	CONTACT B	CORSON ALLOY	CONTACT AREA : Au 0.25 μm MIN. OVER Ni 2.00 μm MIN. SOLDERING AREA : Au 0.03 μm MIN. OVER Ni 1.00 μm MIN.
2	CONTACT A	CORSON ALLOY	CONTACT AREA : Au 0.25 μm MIN. OVER Ni 2.00 μm MIN. SOLDERING AREA : Au 0.03 μm MIN. OVER Ni 1.00 μm MIN.
1	HOUSING	LCP	UL94V-0, BLACK

					ANGLE	±2°	6 OVER 30 MAX.	±0.3	PROJECTION ⊕	SERIES No. R1	CUSTOMER COPY			
						6 MAX.	±0.2	30 OVER 120 MAX.						±0.5
					GENERAL TOLERANCE.					TITLE CABLIN® -CX II PLUG HOUSING ASS'Y	SCALE	I-PEX		
					DWG.	S.Yamaguchi		DATE	2019/08/08		10:1			
					CHK.	T.Kurachi					UNIT			
REV.	ECN	BY	DATE	APP.	REVISION RECORD					DWG. No.	20974	SIZE	SHEET	REV.
												A3	1/2	1

DEVICE P/N	Pos.	QTY. PER TRAY (PIECES / TRAY)	QTY. PER SHIPPING CARTON (TRAYS / S CARTON)	QTY. PER PACKING CARTON (S CARTON / P CARTON)	PACKING STANDARD
20974-040T-01	40	200 / TRAY	20 / S CARTON = 4,000	4 / P CARTON = 16,000	PST-17122



5	TRAY	PS t=0.5 OPAQUE WHITE	ANTI-STATIC TYPE
NO.	DISCRIPTION	MATERIAL	FINISH , REMARKS

ANGLE	±2°	6 OVER 30 MAX.	±0.3	PROJECTION ⊕	SERIES No. R1	CUSTOMER COPY		
6 MAX.	±0.2	30 OVER 120 MAX.	±0.5					
GENERAL TOLERANCE.				TITLE CABLINÉ® -CX II PLUG HOUSING ASS'Y	SCALE 1:2	UNIT mm		
DWG.	DATE							
CHK.								
APP.								
				DWG. No.	20974	SIZE A3	SHEET 2/2	REV. 1