

Recommended P/N 20472-0\*\*T-10

PART NO.	POS.	A	B	C	D
20472-030T-10	30	11.60	12.40	18.44	13.00
20472-040T-10	40	15.60	16.40	22.44	17.00

P/N : 20472-#\*\*T-10

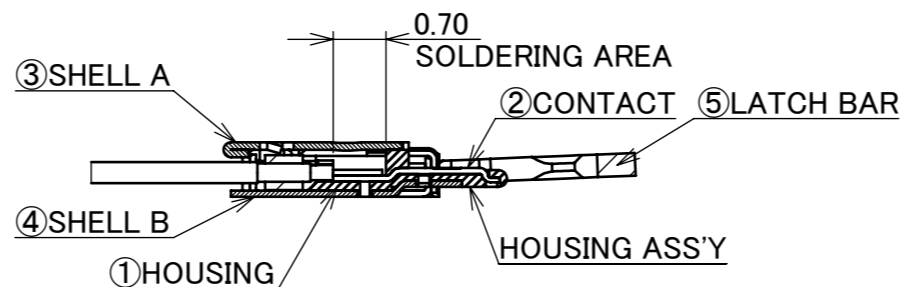
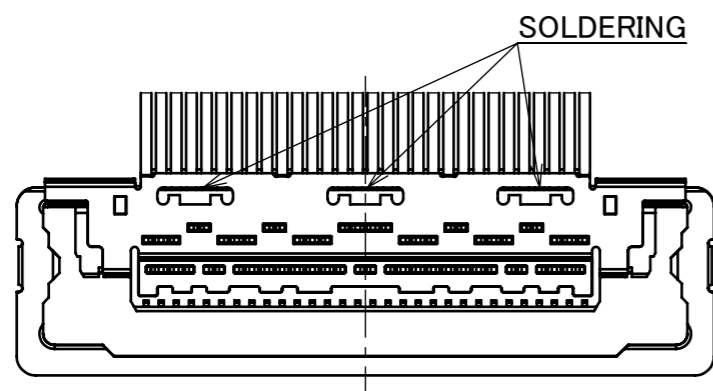


Halogen Free

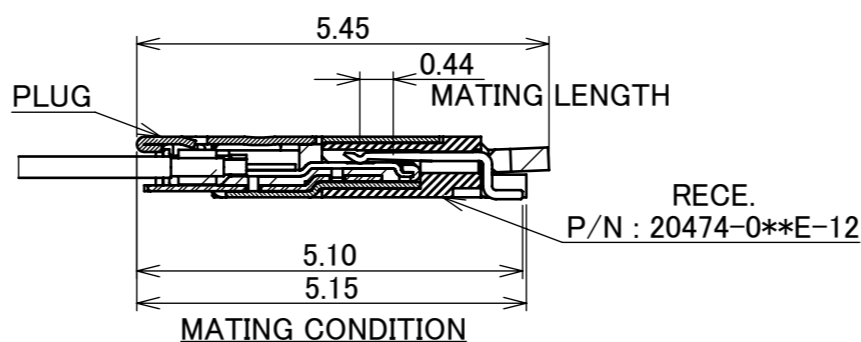


RoHS Compliant

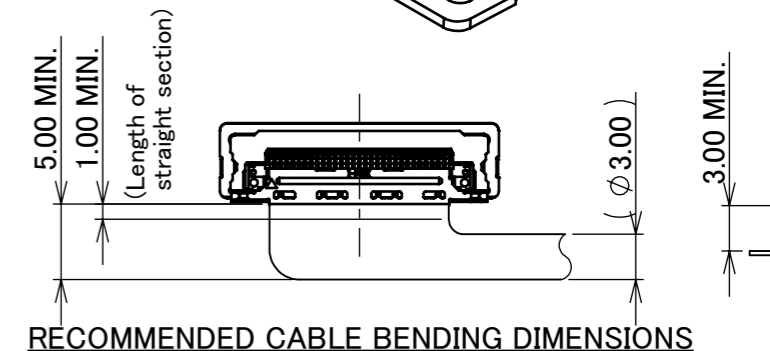
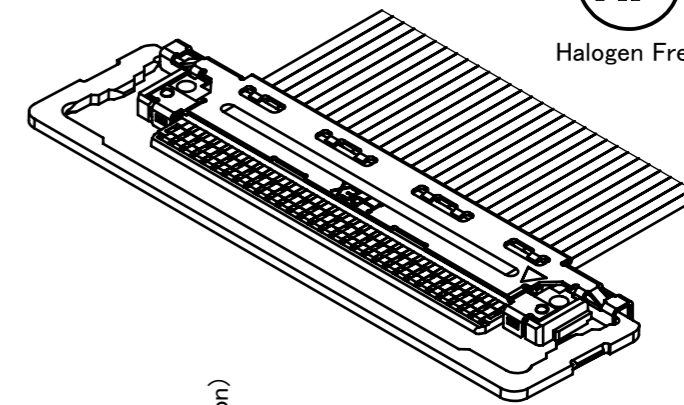
POS.  
0: WITH LATCH BAR  
1: WITHOUT LATCH BAR



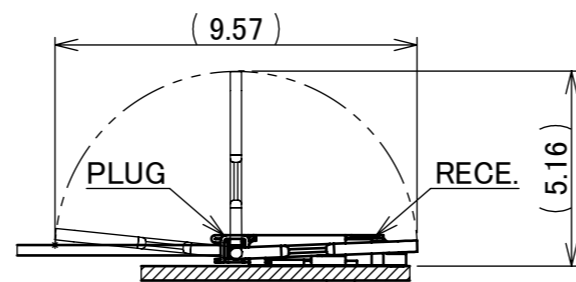
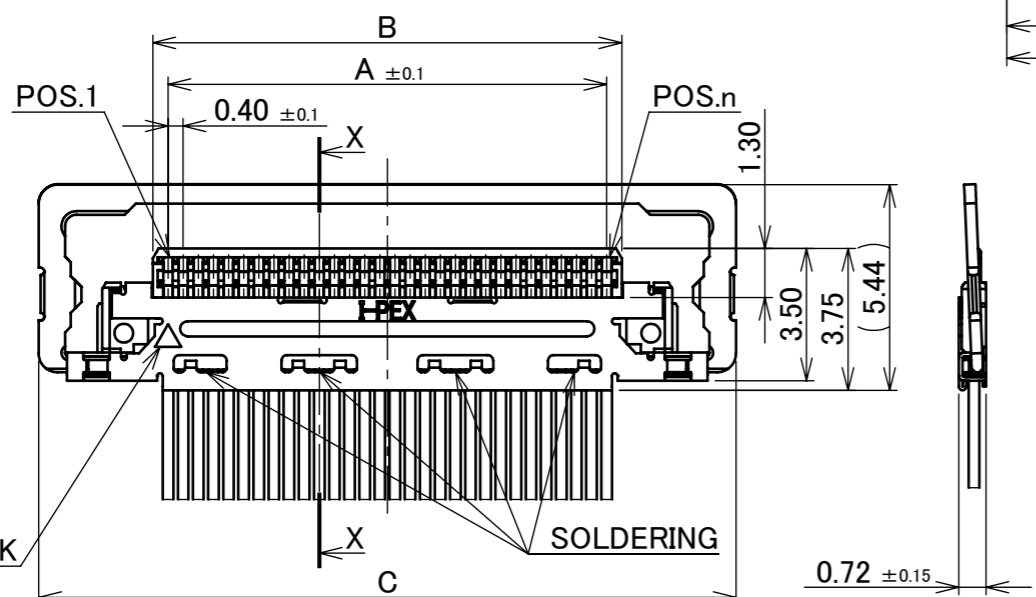
SECT. X-X  
(S=10/1)



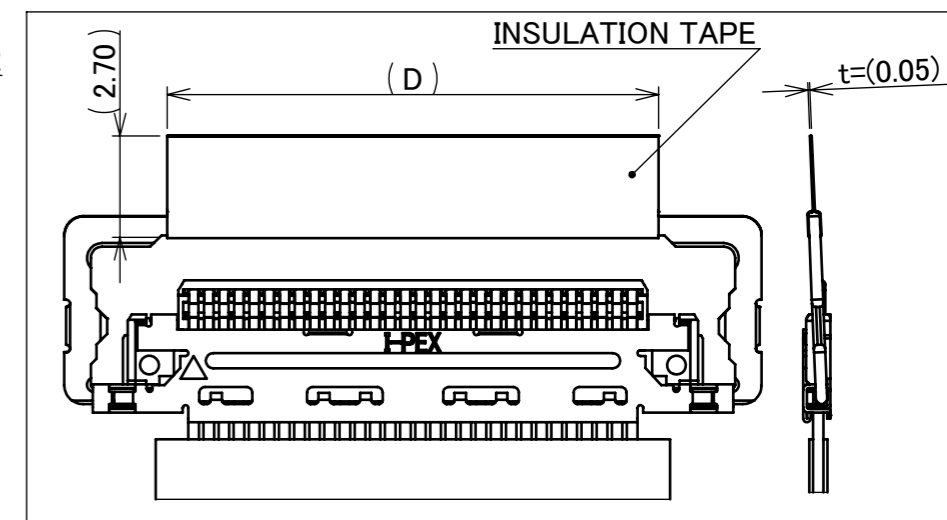
MATING CONDITION



RECOMMENDED CABLE BENDING DIMENSIONS



LATCH MOVEMENTS



INSULATION TAPE RECOMMENDED DIMENSIONS

NO.	DISCRIPTION	MATERIAL	FINISH , REMARKS
5	LATCH BAR	SUS	
4	SHELL B	PHOSPHOR BRONZE	Au 0.05 μ m MIN. OVER Ni 1.00 μ m MIN.
3	SHELL A	PHOSPHOR BRONZE	Au 0.05 μ m MIN. OVER Ni 1.00 μ m MIN.
2	CONTACT	PHOSPHOR BRONZE	Au 0.1 μ m MIN. OVER Ni 1.00 μ m MIN.
1	HOUSING	LCP	UL94V-0, BLACK

REV.	ECN	BY	DATE	APP.	APP.	ANGLE	±2°	6 OVER 30 MAX.	±0.3	PROJECTION	SERIES No.	CUSTOMER COPY		
13	Z231029	H.U	Sept./26/'23	T.M	ANGLE	±2°	6 OVER 30 MAX.	±0.3		PROJECTION	R3R0R1	CUSTOMER COPY		
12	Z220246	TSU	Mar./08/'22	H.I	6 MAX.	±0.2	30 OVER 120 MAX.	±0.5						
11	Z211210	R.M	Oct./04/'21	H.I	GENERAL TOLERANCE.					TITLE	SCALE	I-PEX		
10	Z180949	M.N	July/20/'18	Y.S	DWG.	DATE			CABLIN® -CBL PLUG CABLE ASSEMBLY		5:1			
9	Z160058	K.H	Jan./21/'16	K.N	T.Shiiya	2009/01/13					UNIT			
8	Z150766	K.H	July/07/'15	Tom	CHK.					mm				
REV.	ECN	BY	DATE	APP.	APP.					DWG. No.	20472	SIZE	SHEET	REV.
REVISION RECORD					E.Kawabe						20472	A3	1/4	13

WITH LATCH BAR

Recommended P/N 20472-0\*\*T-10

PART NO.	POS.	A	B	E
20472-130T-10	30	11.60	12.40	16.94
20472-140T-10	40	15.60	16.40	20.94

P/N : 20472-\*\*\*T-10

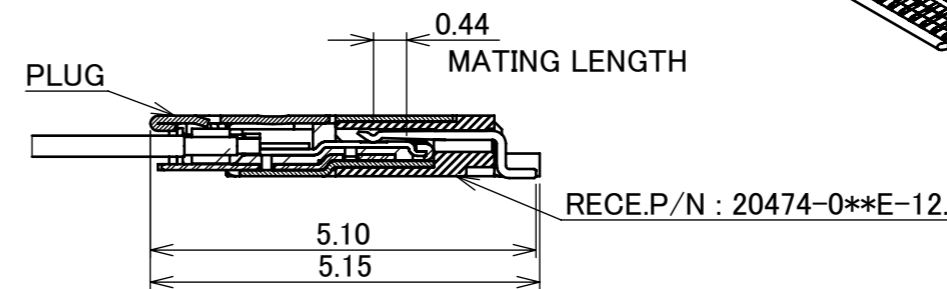
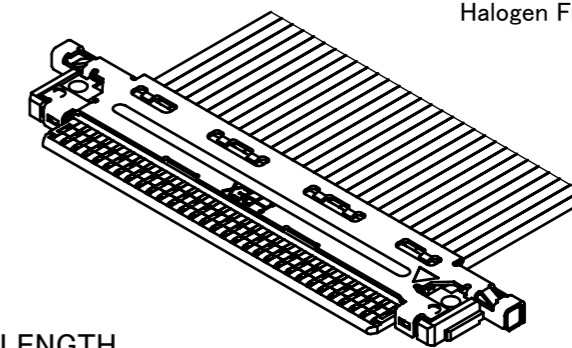
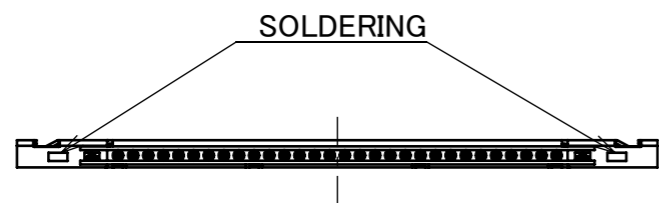
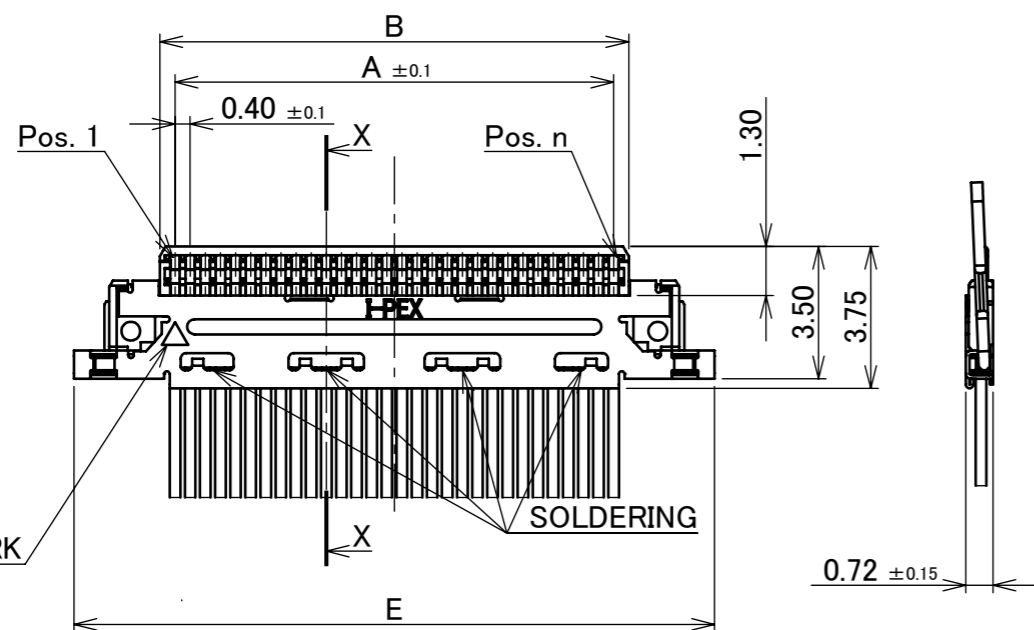
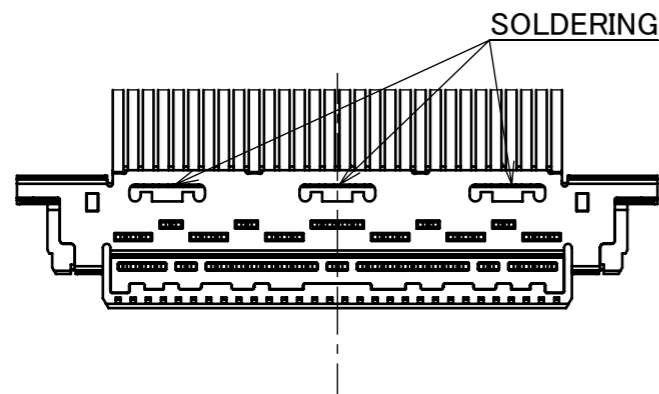
POS.  
0: WITH LATCH BAR  
1: WITHOUT LATCH BAR



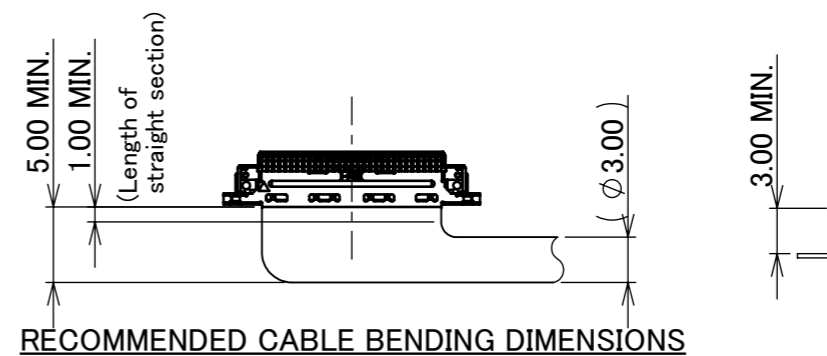
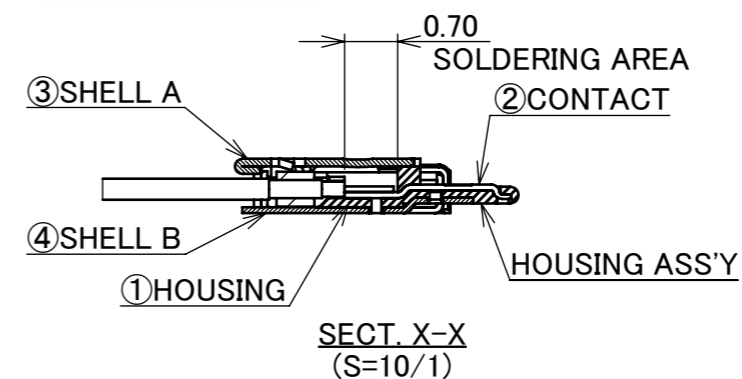
Halogen Free



RoHS Compliant



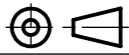
MATING CONDITION



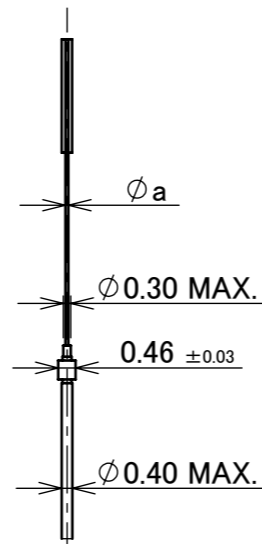
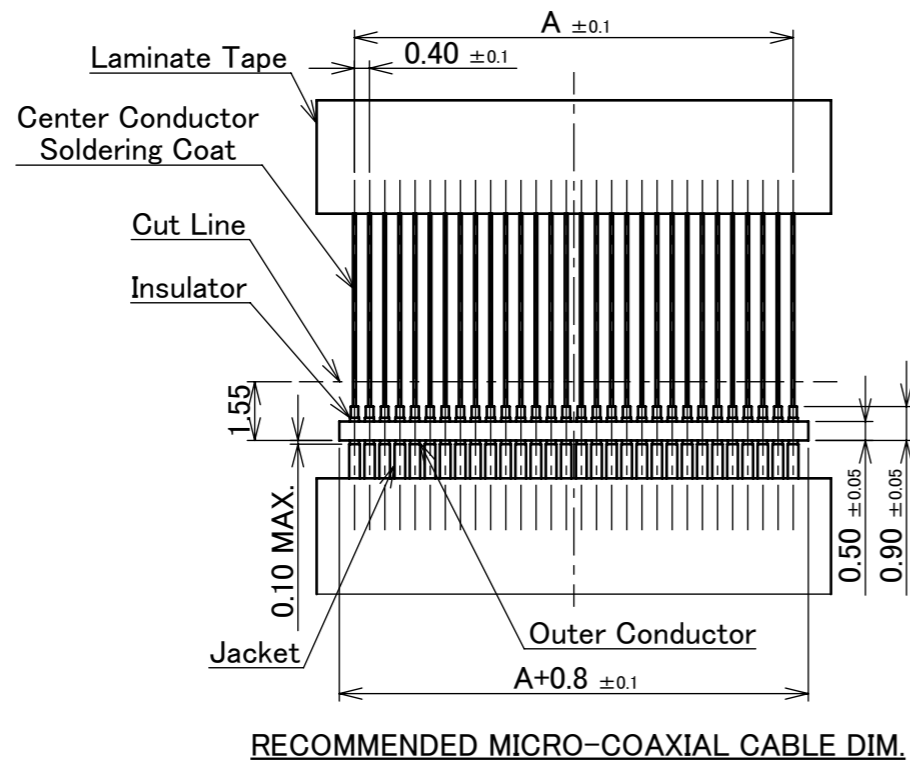
WITHOUT LATCH BAR

ANGLE	±2°	6 OVER 30 MAX.	±0.3	PROJECTION ⊕	SERIES No. R3R0R1	CUSTOMER COPY	
	6 MAX.	±0.2	30 OVER 120 MAX.				
GENERAL TOLERANCE.				TITLE CABLIN <sup>®</sup> -CBL PLUG CABLE ASSEMBLY		SCALE 5:1	I-PEX
DWG.	DATE			DWG. No. 20472		UNIT mm	
CHK.				SIZE A3		SHEET 2/4	
APP.						REV. 13	

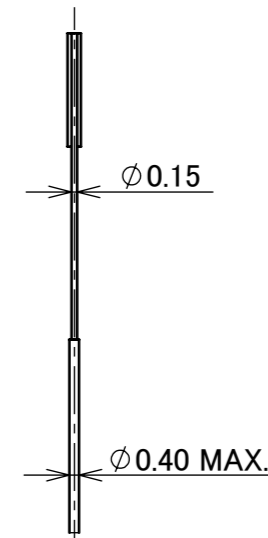
ITEMS	SPECIFICATION
APPLICABLE CABLE	MICRO-COAXIAL CABLE : AWG# 40, 42, 44 DISCRETE WIRE : AWG# 36
RATING VOLTAGE	100V AC (PER CONTACT PIN)
RATING AMPERAGE (FOR CONTACT)	0.1A AC/DC [AWG#44] PER CONTACT PIN 0.24A AC/DC [AWG#42] PER CONTACT PIN 0.3A AC/DC [AWG#40] PER CONTACT PIN 0.8A AC/DC [AWG#36] PER CONTACT PIN
OPERATING TEMPERATURE	233~358K(-40°C~+85°C)
OPERATING HUMIDITY	85% MAX.(NON-CONDENSING)
CONTACT RESISTANCE	INITIAL : 275mohm MAX. (AWG#36)/ AFTER TEST : $\triangle$ 40mohm MAX. 600mohm MAX. (AWG#40) 700mohm MAX. (AWG#42) 1080mohm MAX. (AWG#44)
GROUND SHELL RESISTANCE	INITIAL : 50mohm MAX. / AFTER TEST : $\triangle$ 40mohm MAX.
INSULATION RESISTANCE	INITIAL : 1000Mohm MIN. / AFTER TEST : 500Mohm MIN.
DIELECTRIC WITHSTANDING VOLTAGE	AC250V 1min
DURABILITY	30 CYCLES
MATING FORCE (INITIAL / AFTER TEST)	30P : 10N MAX. 40P : 12N MAX.
UNMATING FORCE (INITIAL / AFTER TEST)	30P : 3.0N MIN. 40P : 4.0N MIN.
CABLE RETENTION FORCE	30P : 14.70N MIN. 40P : 19.60N MIN.
PRODUCT SPECIFICATION	PRS-1421
TEST REPORT	TR-08030
INSTRUCTION MANUAL	HIM-09002
ASSEMBLY MANUAL	ASM-09002
APPEARANCE CRITERIA No.	QLS-A***

ANGLE	$\pm 2^\circ$	6 OVER 30 MAX.	$\pm 0.3$	PROJECTION 	SERIES No. R3R0R1	CUSTOMER COPY		
	6 MAX.	$\pm 0.2$	30 OVER 120 MAX.					$\pm 0.5$
GENERAL TOLERANCE.				TITLE CABLIN <sup>®</sup> -CBL PLUG CABLE ASSEMBLY	SCALE	<b>I-PEX</b>		
DWG.	DATE							UNIT
CHK.								mm
APP.								SIZE SHEET REV.
				DWG. No.	20472	A3	3/4	13

PART NO.	POS.	A
20472-#30T-10	30	11.60
20472-#40T-10	40	15.60



	a
#40	0.09
#42	0.075
#44	0.063



**MICRO-COAXIAL CABLE**

**DISCRETE WIRE AWG#36**

ANGLE	$\pm 2^\circ$	6 OVER 30 MAX.	$\pm 0.3$	PROJECTION	SERIES No.	CUSTOMER COPY			
	6 MAX.	$\pm 0.2$	30 OVER 120 MAX.	$\pm 0.5$		R3R0R1			
GENERAL TOLERANCE.				TITLE		SCALE	<b>I-PEX</b>		
DWG.	DATE			CABLIN <sup>®</sup> -CBL		5:1			
CHK.				PLUG CABLE ASSEMBLY		UNIT			
APP.				DWG. No.		mm			
				20472		SIZE	SHEET	REV.	
						A3	4/4	13	