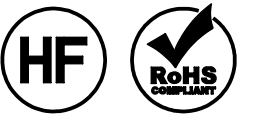
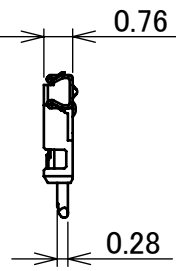
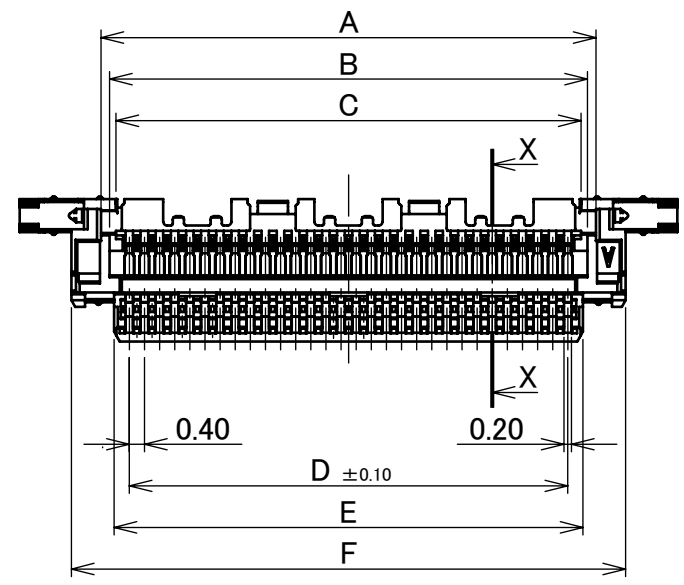
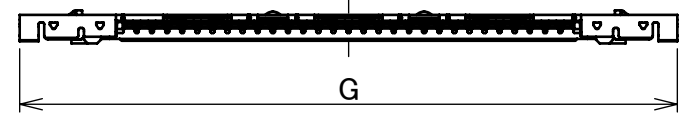
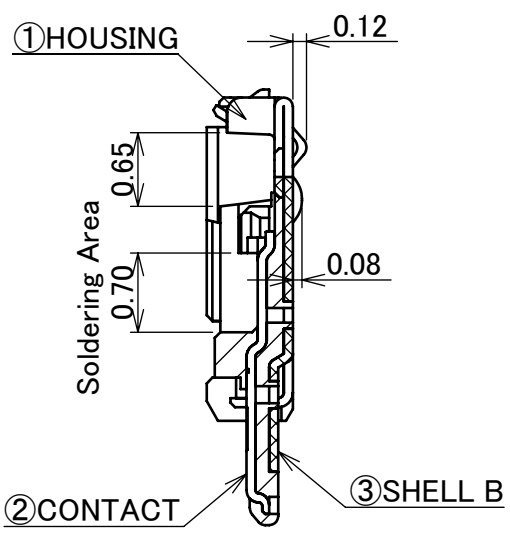
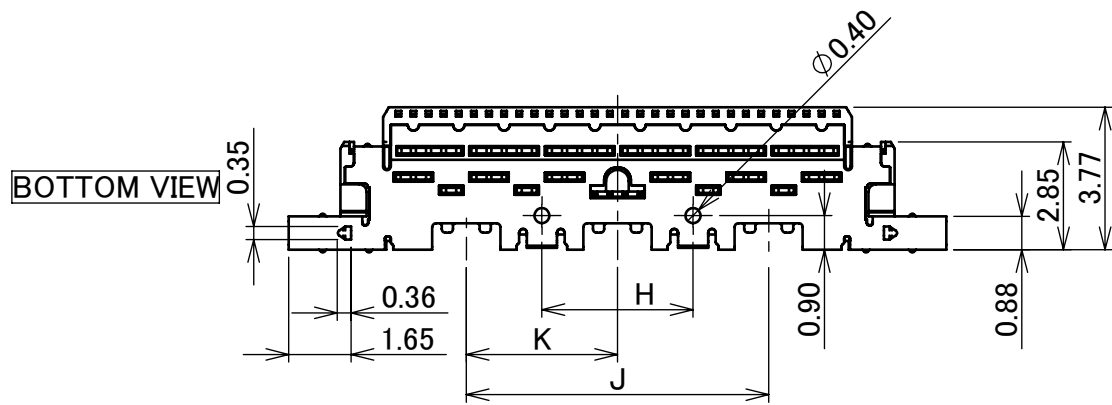
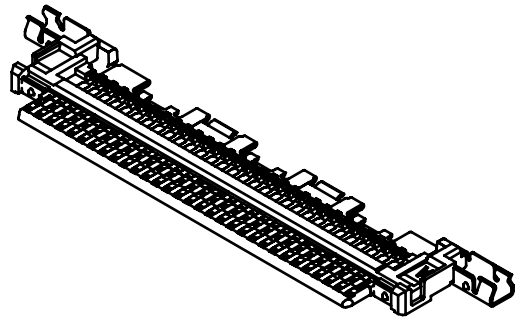


Recommended P/N 20634-2\*\*T-02

PART NO.	Pos.	A	B	C	D	E	F	G	H	J	K
20634-#10T-02	10	5.10	4.65	4.30	3.60	4.40	6.66	9.40	3.40	-	-
20634-#12T-02	12	5.90	5.45	5.10	4.40	5.20	7.46	10.20	4.10	-	-
20634-#20T-02	20	9.10	8.65	8.30	7.60	8.40	10.66	13.40	-	5.00	-
20634-#30T-02	30	13.10	12.65	12.30	11.60	12.40	14.66	17.40	4.00	8.00	4.00
20634-#40T-02	40	17.10	16.65	16.30	15.60	16.40	18.66	21.40	8.00	12.00	4.00
20634-#50T-02	50	21.10	20.65	20.30	19.60	20.40	22.66	25.40	12.00	16.00	4.00
20634-#60T-02	60	25.10	24.65	24.30	23.60	24.40	26.66	29.40	16.00	20.00	4.00



P/N : 20634- # \*\* T-02  
 POS.  
 SEE TABLE.1



NOTES  
 1. THIS PART IS ASSEMBLED WITH SHELL A(P/N 2764-0\*\*1-00#)  
 AND PULL BAR(P/N 2766-0\*\*1) AFTER SOLDERED THE CABLE,  
 AND IT BECOMES P/N 20633-#\*\*T-0#S

TABLE.1

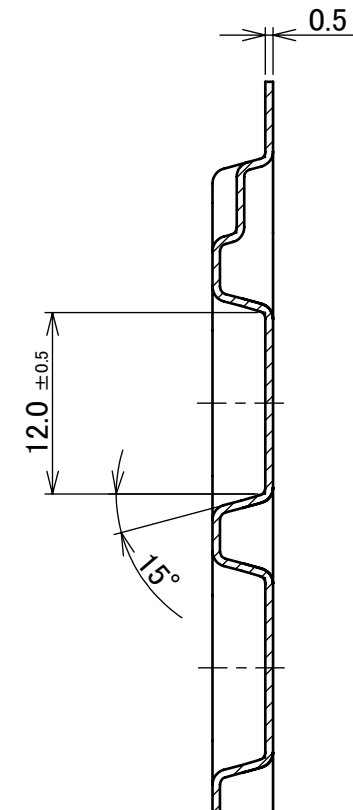
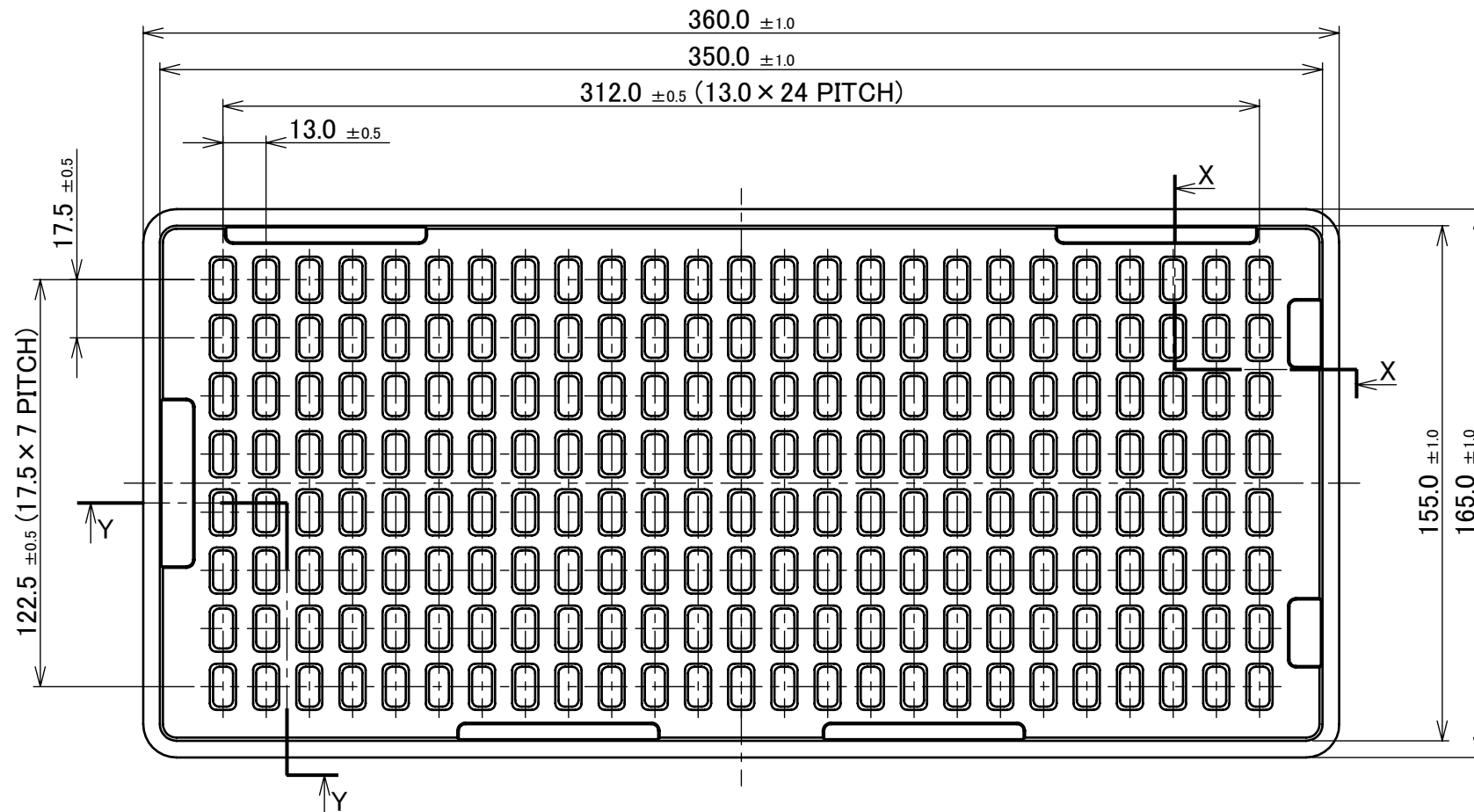
PART NO.	CONTACT FINISH	SHELL B FINISH
20634-1**T-02	CONTACT AREA Au 0.1 μm MIN. OVER Ni 1.00 μm MIN. SOLDERING AREA Au 0.05 μm MIN. OVER Ni 1.00 μm MIN.	TOP SIDE Ni 1.00 μm MIN.(THERE IS THE POSSIBILITY THAT Au ATTACHES RANDOMLY) BOTTOM SIDE Au 0.03 μm MIN. OVER Ni 1.00 μm MIN.
20634-2**T-02	CONTACT AREA Au 0.03 μm MIN. OVER Ni 1.00 μm MIN. SOLDERING AREA Au 0.03 μm MIN. OVER Ni 1.00 μm MIN.	PARTIAL Au 0.003 μm MIN. OVER Ni 1.00 μm MIN.

NO.	DISCRIPTION	MATERIAL	FINISH , REMARKS
3	SHELL-B	PHOSPHOR BRONZE	SEE ABOVE TABLE.1
2	CONTACT	PHOSPHOR BRONZE	SEE ABOVE TABLE.1
1	HOUSING	LCP	UL94V-0, BLACK

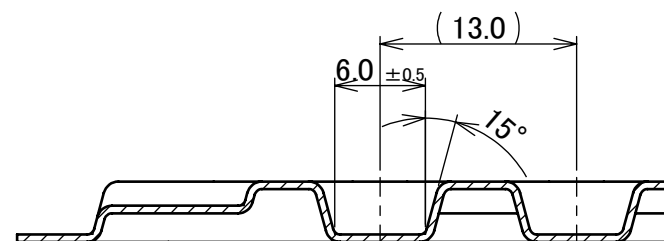
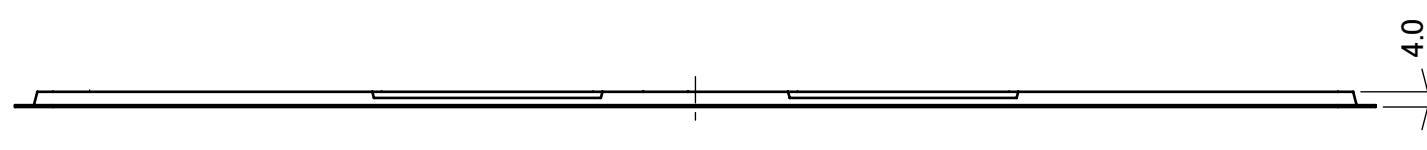
REV.	ECN	BY	DATE	APP.	APP.	DATE	DWG. No.	PROJECTION	SERIES No.	TITLE	SCALE	CUSTOMER COPY
10	Z200544	Y.Sasa	May/27/'20	H.I	ANGLE	±2°	6 OVER 30 MAX.	±0.3	R1	CABLIN <sup>®</sup> -CA PLUG HOUSING ASS'Y	5:1	I-PEX
9	Z191176	Y.Sasa	Sept./06/'19	H.I	6 MAX.	±0.2	30 OVER 120 MAX.	±0.5			mm	
8	Z190050	M.N	Jan./15/'19	Y.S	GENERAL TOLERANCE.							
7	Z181443	K.Hara	Nov./05/'18	Y.S	DWG.		Aug./11/'14					
6	Z180930	M.N	July/17/'18	H.I	H.Mashima		Aug./11/'14					
5	Z180791	M.N	June/19/'18	Y.S	CHK.		Aug./11/'14					
REV.	ECN	BY	DATE	APP.	APP.	DATE	DWG. No.					
REVISION RECORD					E.Kawabe	Aug./18/'14	20634				A3	SHEET 1/4 REV. 10

PART NO.	QTY. IN DITCH (PIECES / DITCH)	QTY. IN TRAY (PIECES / TRAY)	QTY. IN CARTON (TRAYS / CARTON)	QTY. PER SHIPPING CARTON (PIECES / CARTON)	QTY. PER PACKING CARTON (PIECES / CARTON)	PACKING STANDARD
20634-#10T-02	1	200	20	20 / CARTON = 4000	16000 (4BOXES)	300-821

**FOR 10P**



**SECT. X-X**  
(S=2/1)

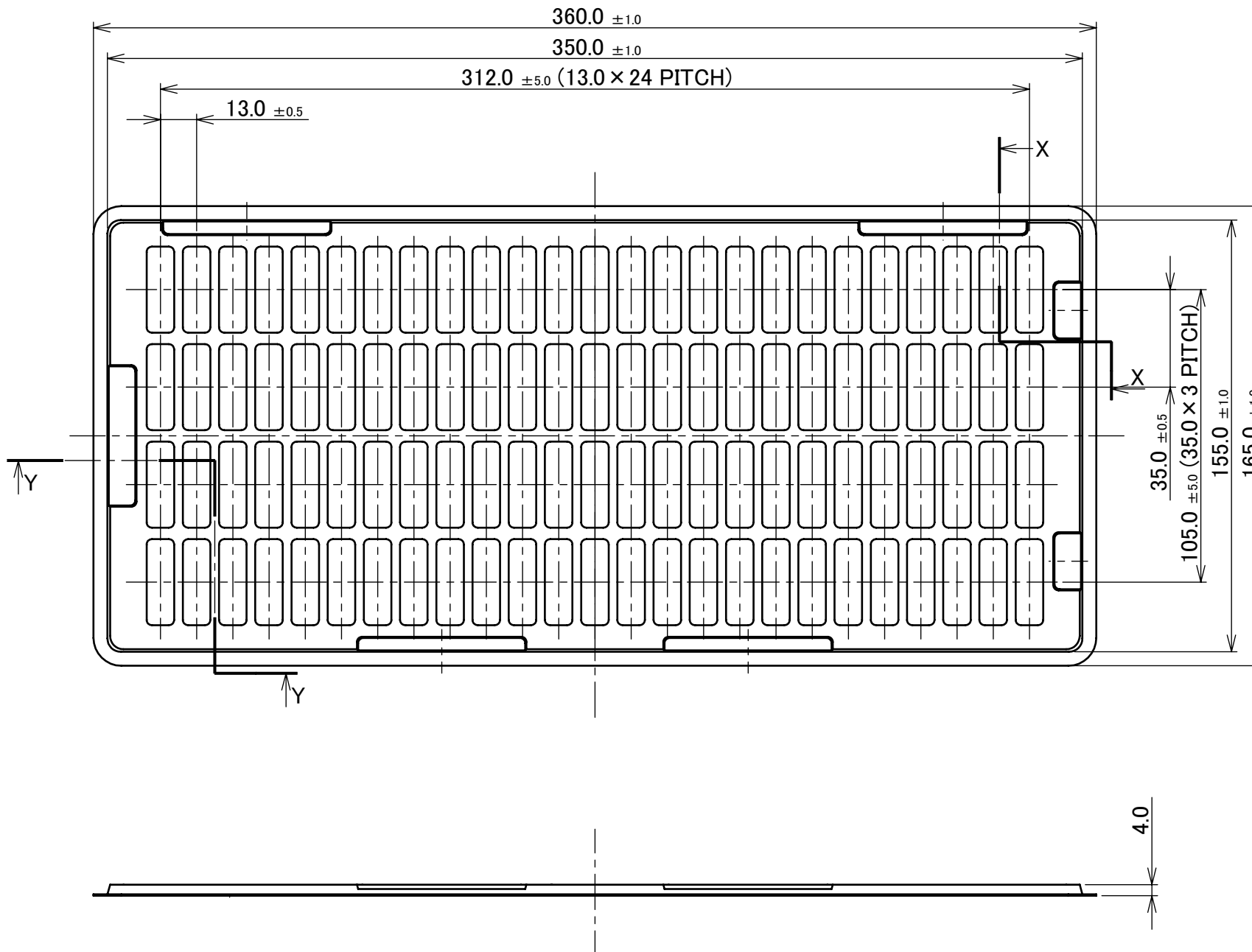


**SECT. Y-Y**  
(S=2/1)

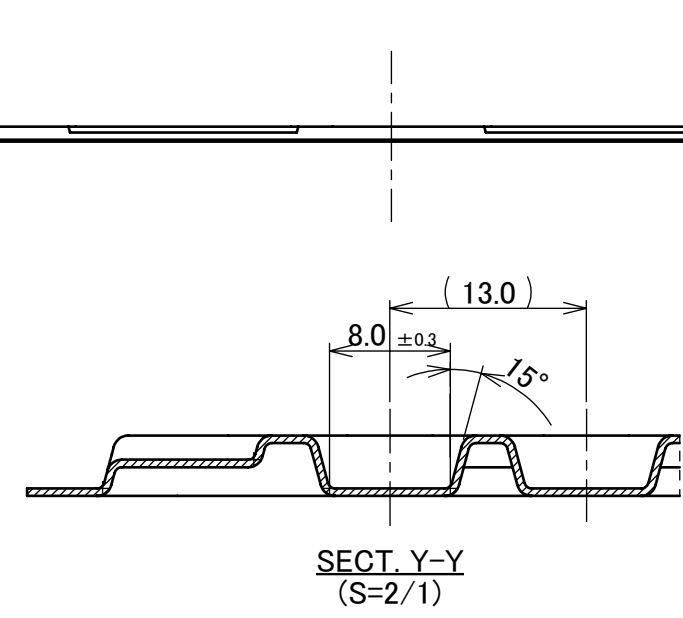
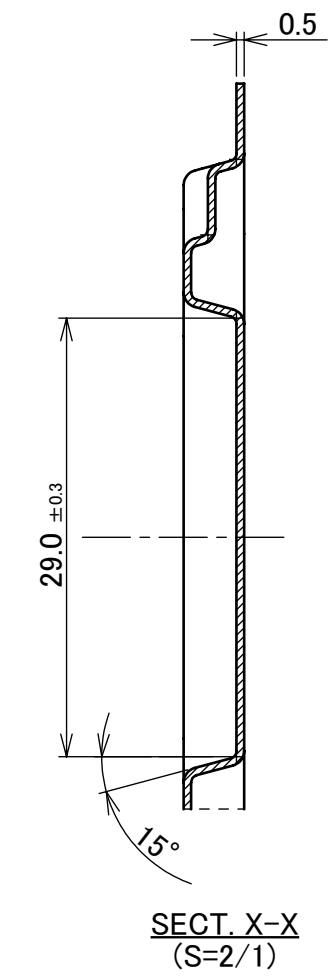
4	TRAY	PS	ANTI-STATIC TYPE
NO.	DISCRIPTION	MATERIAL	FINISH , REMARKS

ANGLE	±2°	6 OVER 30 MAX.	±0.3	PROJECTION ⊕	SERIES No. R1	CUSTOMER COPY
6 MAX.	±0.2	30 OVER 120 MAX.	±0.5			
GENERAL TOLERANCE.				TITLE CABLIN <sup>®</sup> -CA PLUG HOUSING ASS'Y	SCALE 1:2	UNIT mm
DWG.	DATE		DWG. No. 20634			
CHK.	DATE					
APP.	DATE					
				SIZE A3	SHEET 2/4	REV. 10

PART NO.	QTY. IN DITCH (PIECES / DITCH)	QTY. IN TRAY (PIECES / TRAY)	QTY. IN CARTON (TRAYS / CARTON)	QTY. PER SHIPPING CARTON (PIECES / CARTON)	QTY. PER PACKING CARTON (PIECES / CARTON)	PACKING STANDARD
20634-#12T-02	1	100	20	20 / CARTON = 2000	8000 (4BOXES)	300-821
20634-#20T-02						
20634-#30T-02						
20634-#40T-02						
20634-#50T-02						



**FOR 12,20,30,40,50P**

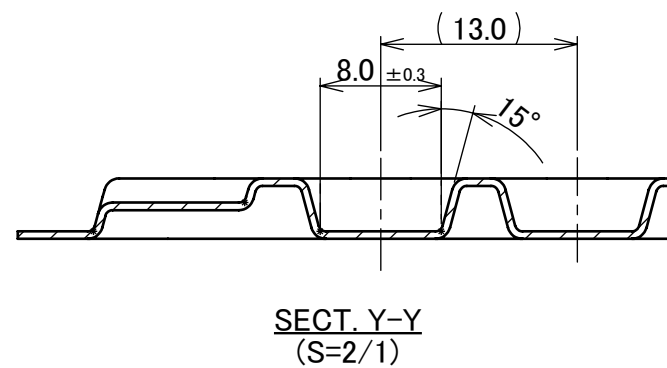
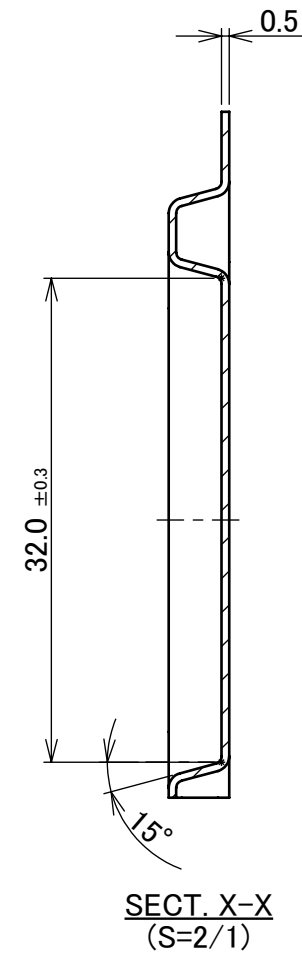
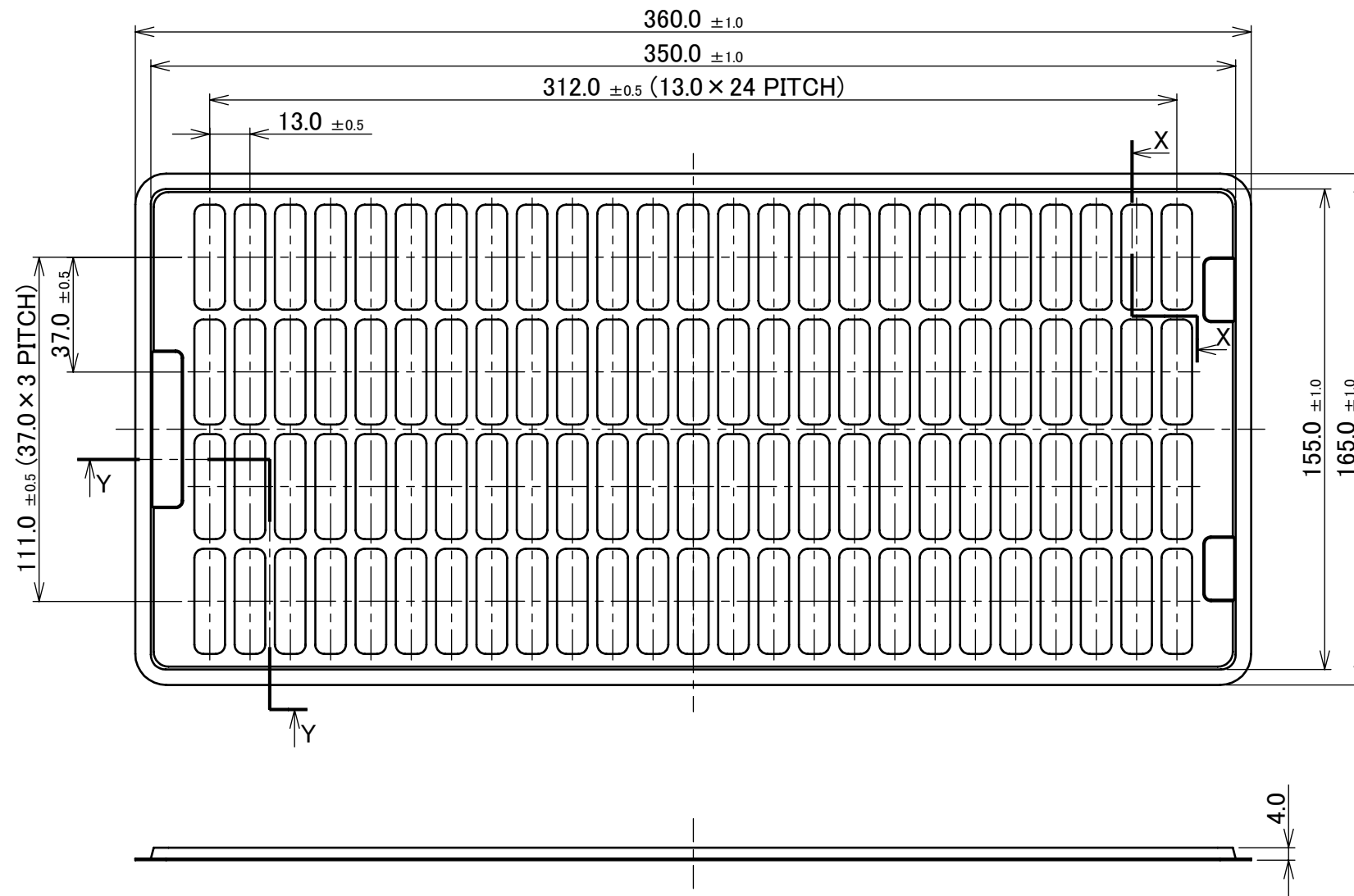


5	TRAY	PP	ANTI-STATIC TYPE
NO.	DISCRIPTION	MATERIAL	FINISH , REMARKS

ANGLE	±2°	6 OVER 30 MAX.	±0.3	PROJECTION ⊕	SERIES No. R1	CUSTOMER COPY
6 MAX.	±0.2	30 OVER 120 MAX.	±0.5			
GENERAL TOLERANCE.				TITLE CABLIN <sup>®</sup> -CA PLUG HOUSING ASS'Y	SCALE 1:2	UNIT mm
DWG.	DATE		DWG. No. 20634			
CHK.	DATE					
APP.	DATE					
				SIZE A3	SHEET 3/4	REV. 10

PART NO.	QTY. IN DITCH (PIECES / DITCH)	QTY. IN TRAY (PIECES / TRAY)	QTY. IN CARTON (TRAYS / CARTON)	QTY. PER SHIPPING CARTON (PIECES / CARTON)	QTY. PER PACKING CARTON (PIECES / CARTON)	PACKING STANDARD
20634-#60T-02	1	100	20	20 / CARTON = 2000	8000 (4BOXES)	300-821

**FOR 60P**



6	TRAY	PS	ANTI-STATIC TYPE
NO.	DISCRIPTION	MATERIAL	FINISH , REMARKS

ANGLE	±2°	6 OVER 30 MAX.	±0.3	PROJECTION ⊕	SERIES No. R1	CUSTOMER COPY
6 MAX.	±0.2	30 OVER 120 MAX.	±0.5			
GENERAL TOLERANCE.				TITLE CABLIN <sup>®</sup> -CA PLUG HOUSING ASS'Y	SCALE 1:2	UNIT mm
DWG.	DATE		DWG. No. 20634			
CHK.	DATE					
APP.	DATE					
				SIZE A3	SHEET 4/4	REV. 10