

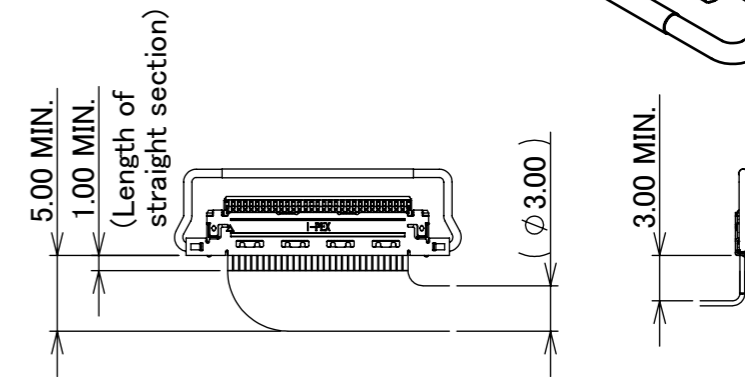
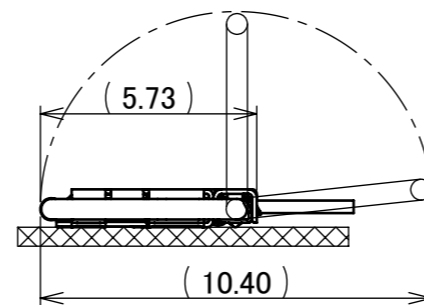
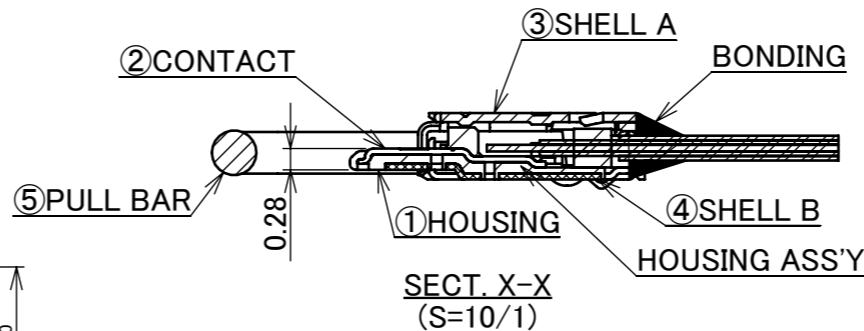
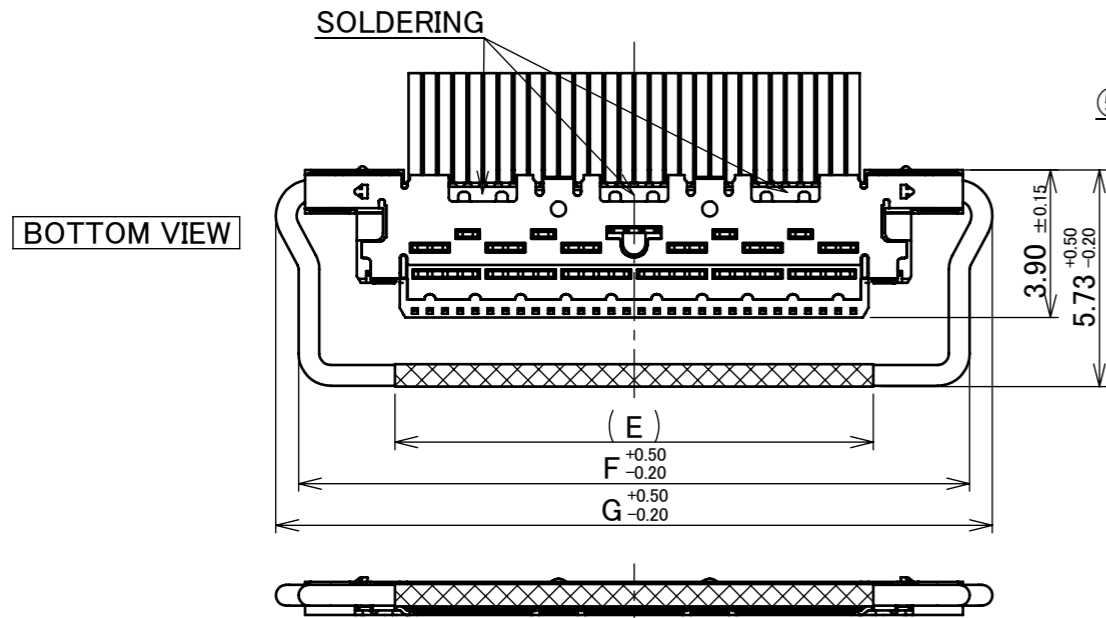
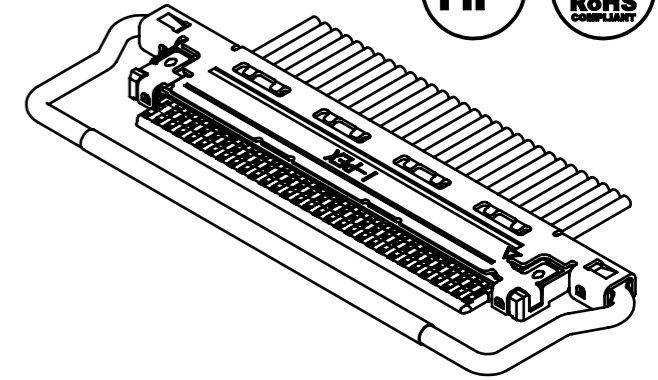
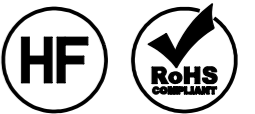
Recommended P/N 20633-3T-01S**

PART NO.	POS.	A	B	C	D	E	F	G
20633-#10T-01S	10	3.60	4.40	6.66	9.40	4.65	9.75	10.95
20633-#12T-01S	12	4.40	5.20	7.46	10.20	5.45	10.55	11.75
20633-#20T-01S	20	7.60	8.40	10.66	13.40	8.65	13.75	14.95
20633-#30T-01S	30	11.60	12.40	14.66	17.40	12.65	17.75	18.95
20633-#40T-01S	40	15.60	16.40	18.66	21.40	16.65	21.75	22.95
20633-#50T-01S	50	19.60	20.40	22.66	25.40	20.65	25.75	26.95
20633-#60T-01S	60	23.60	24.40	26.66	29.40	24.65	29.75	30.95

P/N : 20633-#**T-0#S

1 : WITH PULL BAR
2 : WITHOUT PULL BAR
Pos.
SEE TABLE.1

WITH PULL BAR



RECOMMENDED CABLE BENDING DIMENSIONS

PART NO.

CABLE ASS'Y PART NO.	HOUSING ASS'Y PART NO.	SHELL A PART NO.	PULL BAR PART NO.
20633-2**T-01S	20634-1**T-02	2764-0**1-002	2766-0**1
20633-3**T-01S	20634-2**T-02	2764-0**1-003	

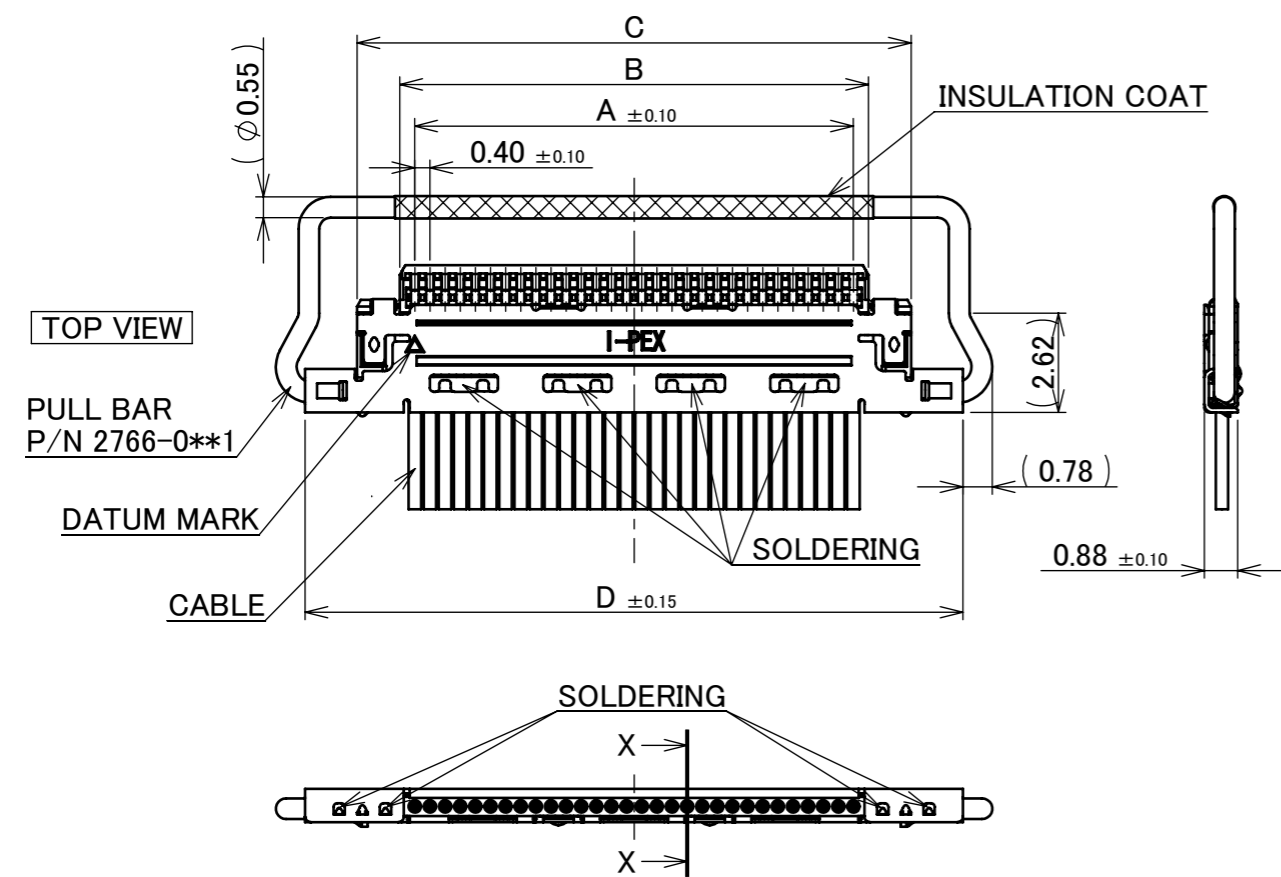


TABLE.1

PART NO.	CONTACT FINISH	SHELL A FINISH	SHELL B FINISH
20633-2**T-0#S	CONTACT AREA Au 0.1 μm MIN. OVER Ni 1.00 μm MIN. SOLDERING AREA Au 0.05 μm MIN. OVER Ni 1.00 μm MIN.	TOP SIDE Au 0.03 μm MIN. OVER Ni 1.00 μm MIN. BOTTOM SIDE Ni 1.00 μm MIN.(THERE IS THE POSSIBILITY THAT Au ATTACHES RANDOMLY)	TOP SIDE Ni 1.00 μm MIN.(THERE IS THE POSSIBILITY THAT Au ATTACHES RANDOMLY) BOTTOM SIDE Au 0.03 μm MIN. OVER Ni 1.00 μm MIN.
20633-3**T-0#S	CONTACT AREA Au 0.03 μm MIN. OVER Ni 1.00 μm MIN. SOLDERING AREA Au 0.03 μm MIN. OVER Ni 1.00 μm MIN.	PARTIAL Au 0.003 μm MIN. OVER Ni 1.00 μm MIN.	PARTIAL Au 0.003 μm MIN. OVER Ni 1.00 μm MIN.

NO.	DISCRIPTION	MATERIAL	FINISH , REMARKS
5	PULL BAR	SUS	
4	SHELL B	PHOSPHOR BRONZE	SEE ABOVE TABLE.1
3	SHELL A	PHOSPHOR BRONZE	SEE ABOVE TABLE.1
2	CONTACT	PHOSPHOR BRONZE	SEE ABOVE TABLE.1
1	HOUSING	LCP	UL94V-0, BLACK

REV.	ECN	BY	DATE	APP.	DATE	DATE	DATE	PROJECTION	SERIES No.	TITLE	SCALE	CUSTOMER COPY		
8	Z181387	K.Hara	Oct./26/'18	Y.S	ANGLE	±2°	6 OVER 30 MAX.	±0.3	R0R4R1	CABLIN [®] -CA PLUG FOR CABLE ASSEMBLY	5:1	I-PEX		
7	Z181125	M.N	Aug./29/'18	Y.S	6 MAX.	±0.2	30 OVER 120 MAX.	±0.5			mm			
6	Z180930	M.N	July/17/'18	H.I	GENERAL TOLERANCE.									
5	Z180791	M.N	June/19/'18	Y.S	DWG.	H.Mashima	DATE	Aug./11/'14						
4	Z180722	M.N	June/05/'18	Y.S	CHK.	J.Tateishi	DATE	Aug./11/'14						
3	Z150570	T.K	May/26/'15	E.K	APP.	E.Kawabe	DATE	Aug./18/'14						
REVISION RECORD					DWG. No.		20633	SIZE		A3	SHEET	1/5	REV.	8

PATENT REGISTERED

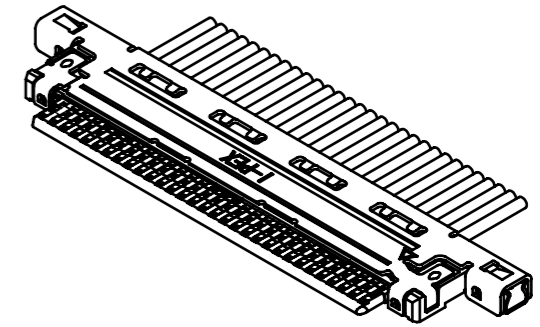
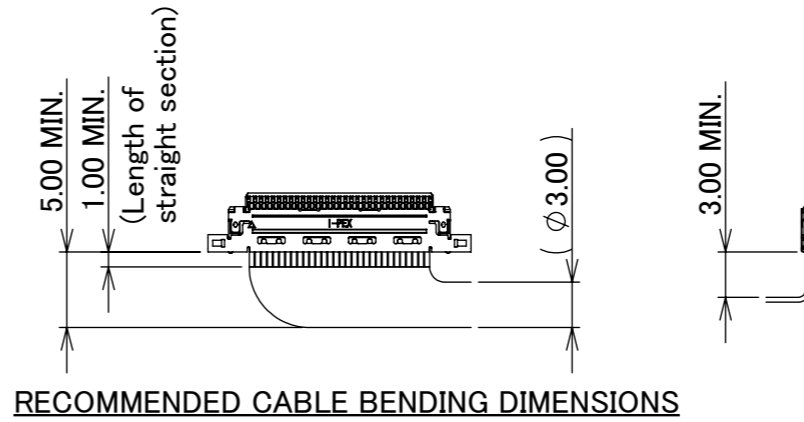
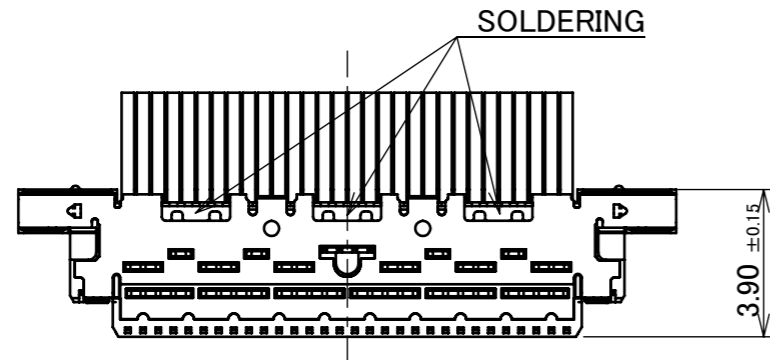
Recommended P/N 20633-3**T-01S

PART NO.	POS.	A	B	C	D
20633-#10T-02S	10	3.60	4.40	6.66	9.40
20633-#12T-02S	12	4.40	5.20	7.46	10.20
20633-#20T-02S	20	7.60	8.40	10.66	13.40
20633-#30T-02S	30	11.60	12.40	14.66	17.40
20633-#40T-02S	40	15.60	16.40	18.66	21.40
20633-#50T-02S	50	19.60	20.40	22.66	25.40
20633-#60T-02S	60	23.60	24.40	26.66	29.40

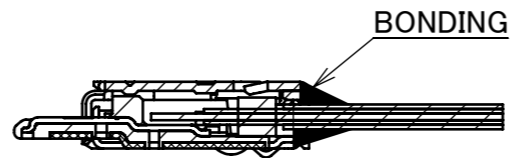
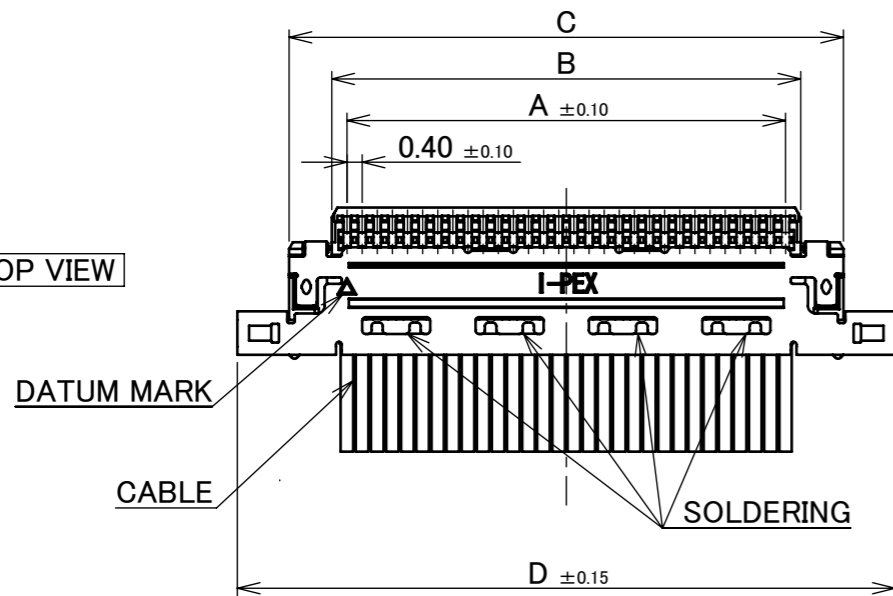
P/N : 20633-#**T-0#S
 1 : WITH PULL BAR
 2 : WITHOUT PULL BAR
 Pos.
 SEE TABLE.1 (SHEET1/5)

WITHOUT PULL BAR

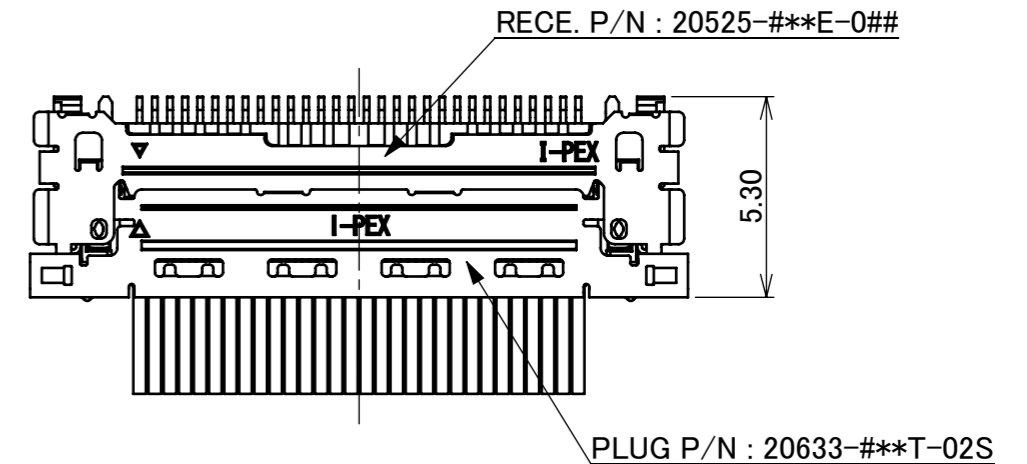
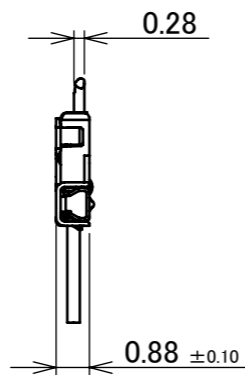
BOTTOM VIEW



TOP VIEW

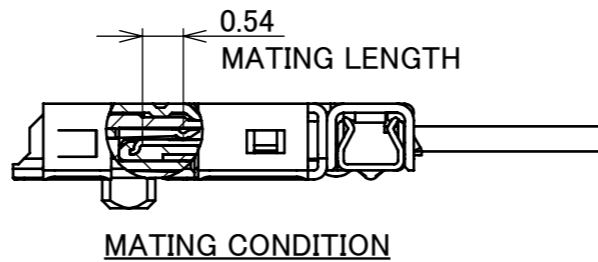
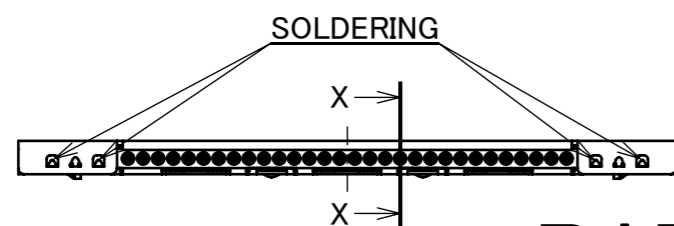


SECT. X-X
(S=10/1)



PART NO.

CABLE ASS'Y PART NO.	HOUSING ASS'Y PART NO.	SHELL-A PART NO.	PULL BAR PART NO.
20633-2**T-02S	20634-1**T-02	2764-0**1-002	-
20633-3**T-02S	20634-2**T-02	2764-0**1-003	-



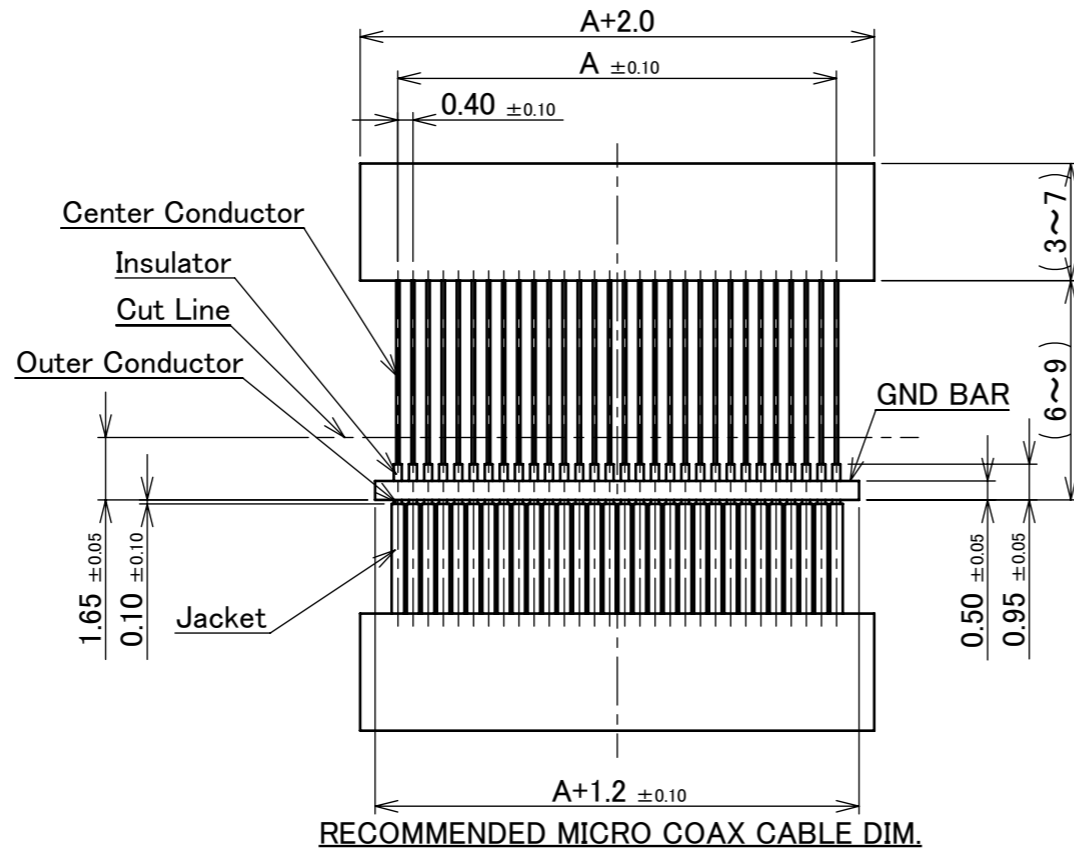
PATENT REGISTERED

ANGLE	±2°	6 OVER 30 MAX.	±0.3	PROJECTION ⊕	SERIES No. R0R4R1	CUSTOMER COPY
	6 MAX.	±0.2	30 OVER 120 MAX.			
GENERAL TOLERANCE.				TITLE		SCALE
DWG.	DATE		CABLIN [®] -CA		5:1	I-PEX
CHK.	DATE		PLUG		UNIT	
APP.	DATE		FOR CABLE ASSEMBLY		mm	
				DWG. No.	20633	SIZE
						A3
						SHEET 2/5
						REV. 8

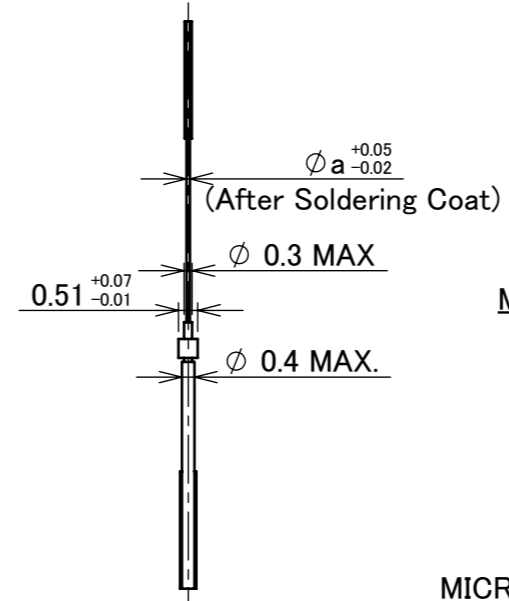
ITEMS	SPECIFICATION
APPLICABLE CABLE	MICRO COAX : AWG# 44 , 42 , 40 , 38 , 36 DISCRETE : AWG# 36, 34 TWINCOAX : AWG# 40
RATING VOLTAGE	100V AC (PER A CONTACT)
RATING AMPERAGE (FOR CONTACT)	0.1A AC/DC [AWG#44] PER CONTACT/UP TO 60 CONTACTS 0.24A AC/DC [AWG#42] PER CONTACT/UP TO 50 CONTACTS 0.3A AC/DC [AWG#40] PER CONTACT/UP TO 40 CONTACTS 0.5A AC/DC [AWG#38] PER CONTACT/UP TO 14 CONTACTS 0.8A AC/DC [AWG#36] PER CONTACT/UP TO 6 CONTACTS 1.0A AC/DC [AWG#34] PER CONTACT/UP TO 4 CONTACTS TESTING BY A REAL MACHINE IS RECOMMENDED BECAUSE TEMPERATURE RISE MAY AFFECTED BY ACTUAL SITUATION.
OPERATING TEMPERATURE	233~358K (-40°C~85°C)
OPERATING HUMIDITY	85% MAX. (NON-CONDENDING)
CONTACT RESISTANCE	INITIAL : 180mohm MAX. (AWG#34) / AFTER TEST : \triangleleft 40mohm MAX. 275mohm MAX. (AWG#36) 360mohm MAX. (AWG#38) 600mohm MAX. (AWG#40) 700mohm MAX. (AWG#42) 1080mohm MAX. (AWG#44)
GROUND SHELL RESISTANCE	INITIAL : 50mohm MAX. / AFTER TEST : \triangleleft 40mohm MAX.
INSULATION RESISTANCE	INITIAL : 1000Mohm MIN. / AFTER TEST : 500Mohm MIN.
DIELECTRIC WITHSTANDING VOLTAGE	AC250V 1min
DURABILITY	30 CYCLES
MATING FORCE (INITIAL / AFTER 30 CYCLES)	10P : 7.80N MAX. 40P : 19.40N MAX. 12P : 8.20N MAX. 50P : 24.25N MAX. 20P : 9.70N MAX. 60P : 29.10N MAX. 30P : 14.55N MAX.
UNMATING FORCE (INITIAL / AFTER 30 CYCLES)	10P : 1.00N MIN. 40P : 4.00N MIN. 12P : 1.20N MIN. 50P : 5.00N MIN. 20P : 2.00N MIN. 60P : 6.00N MIN. 30P : 3.00N MIN.
CABLE RETENTION FORCE	10P : 4.90N MIN. 40P : 19.60N MIN. 12P : 5.88N MIN. 50P : 24.50N MIN. 20P : 9.80N MIN. 60P : 29.40N MIN. 30P : 14.70N MIN.
PRODUCT SPECIFICATION	PRS-1968
TEST REPORT	TR-14122 (20525-0**E-0##) / TR-16023 (20525-2**E-0##)
INSTRUCTION MANUAL	HIM-09008
ASSEMBLY MANUAL	ASM-09005

ANGLE	$\pm 2^\circ$	6 OVER 30 MAX.	± 0.3	PROJECTION 	SERIES No. R0R4R1	CUSTOMER COPY	
	6 MAX.	± 0.2	30 OVER 120 MAX.				± 0.5
GENERAL TOLERANCE.				TITLE CABLIN [®] -CA PLUG FOR CABLE ASSEMBLY	SCALE 5:1 UNIT mm	I-PEX	
DWG.	DATE						
CHK.	DATE						
APP.	DATE						
				DWG. No.	20633	SIZE A3	
						SHEET 3/5	REV. 8

PART NO.	POS.	A
20633-#10T-0#S	10	3.60
20633-#12T-0#S	12	4.40
20633-#20T-0#S	20	7.60
20633-#30T-0#S	30	11.60
20633-#40T-0#S	40	15.60
20633-#50T-0#S	50	19.60
20633-#60T-0#S	60	23.60



RECOMMENDED MICRO COAX CABLE DIM.

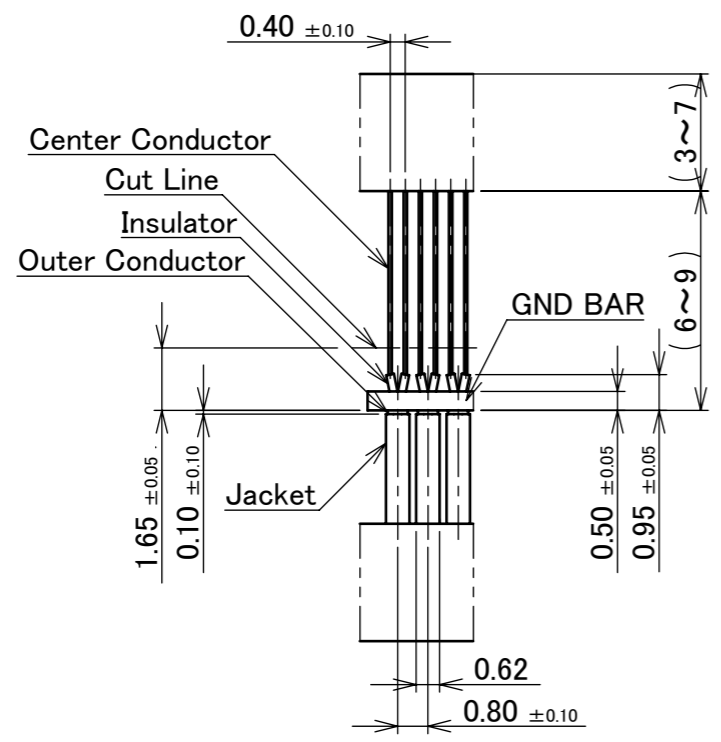


MICRO COAX CABLE
AWG#**

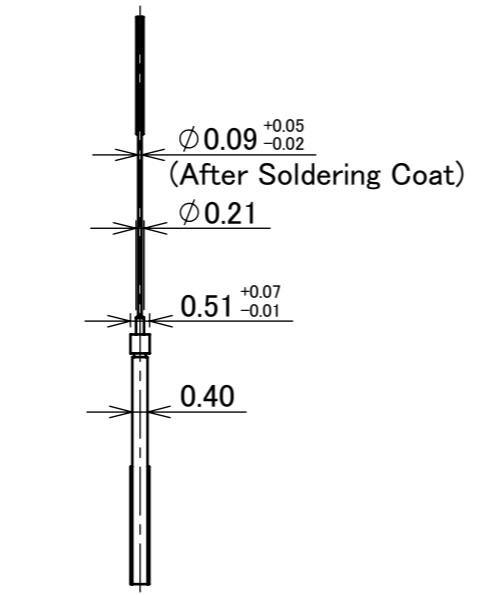
MICRO COAX CABLE DIMENSION

	a
#36	0.15
#38	0.12
#40	0.09
#42	0.075
#44	0.063

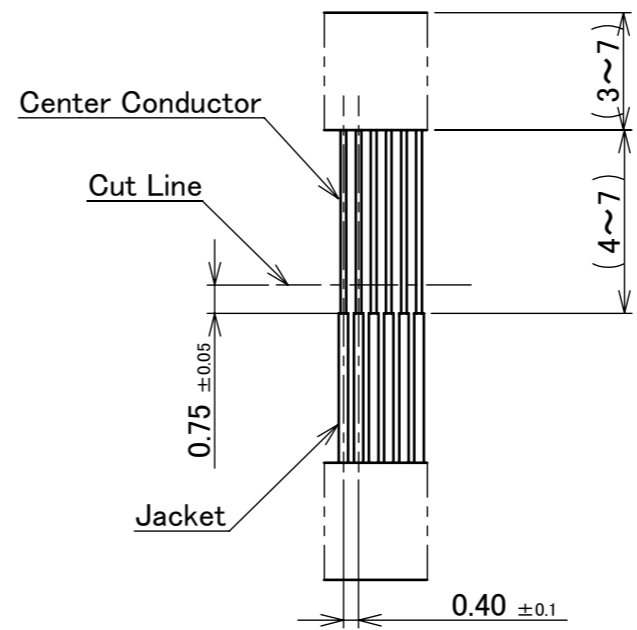
MICRO COAX CABLE #36 : NOT RECOMMENDED FOR HIGH SPEED SIGNAL TRANSFER



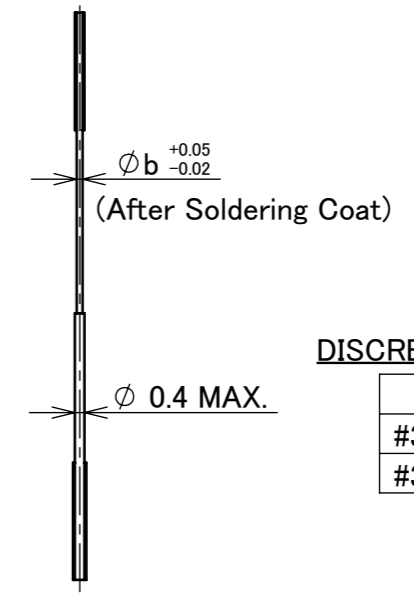
RECOMMENDED TWINCOAX CABLE DIM.



TWINCOAX CABLE
AWG#40



RECOMMENDED DISCRETE CABLE DIM.



DISCRETE CABLE
AWG#**

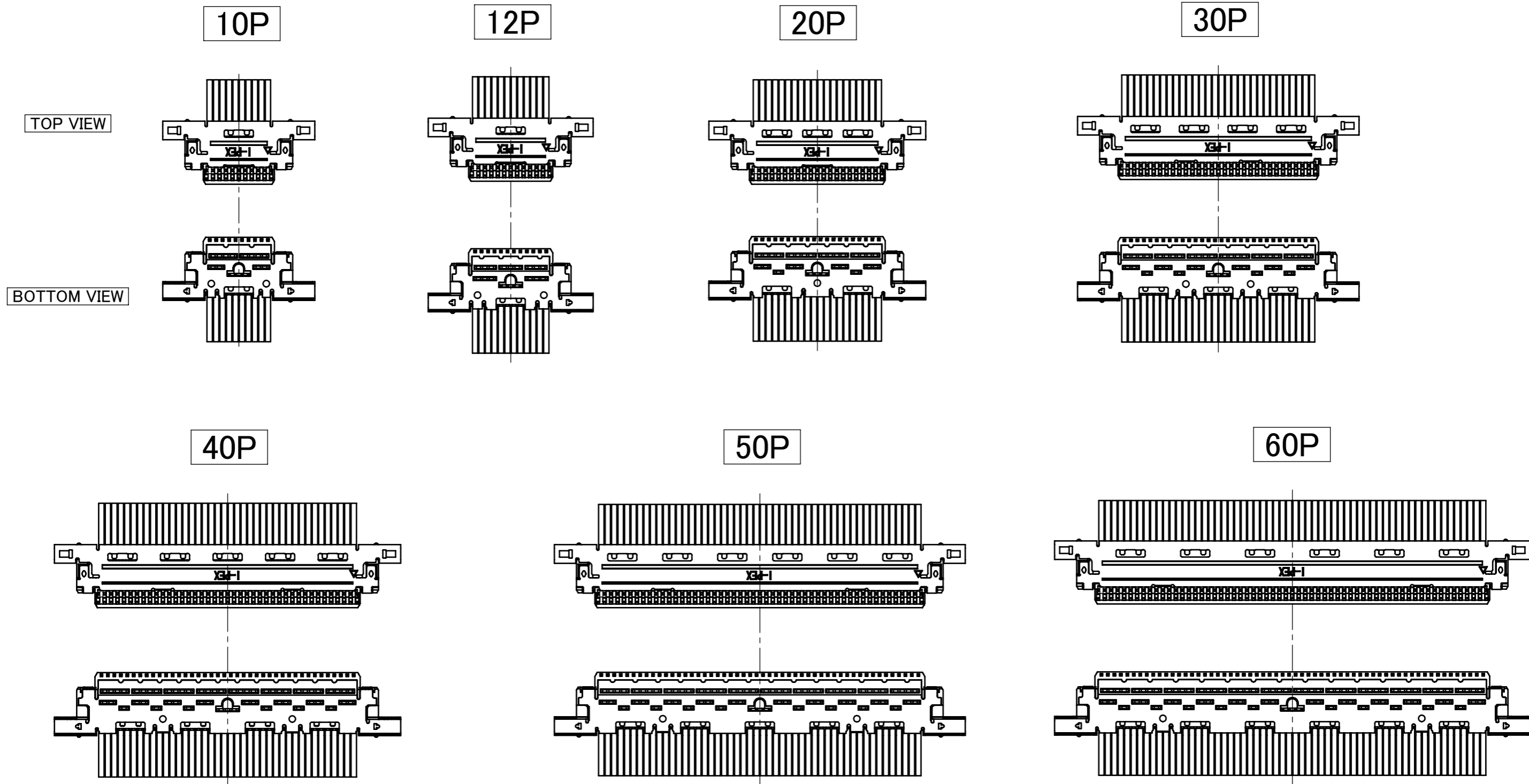
DISCRETE DIMENSION

	b
#34	0.192
#36	0.15

ANGLE	±2°	6 OVER 30 MAX.	±0.3	PROJECTION ⊕	SERIES No. R0R4R1	CUSTOMER COPY
	6 MAX.	±0.2	30 OVER 120 MAX.			
GENERAL TOLERANCE.				TITLE		SCALE
DWG.	DATE	CABLIN [®] -CA PLUG FOR CABLE ASSEMBLY		DWG. No. 20633		5:1
CHK.	DATE					UNIT
APP.	DATE					mm
						SIZE
						A3
						SHEET
						4/5
						REV.
						8

PART NO.
20633-##*T-0#S

THE EXTERNAL APPEARANCE



ANGLE	$\pm 2^\circ$	6 OVER 30 MAX.	± 0.3	PROJECTION 	SERIES No. R0R4R1	CUSTOMER COPY		
	6 MAX.	± 0.2	30 OVER 120 MAX.					± 0.5
GENERAL TOLERANCE.				TITLE CABLIN [®] -CA PLUG FOR CABLE ASSEMBLY	SCALE 4:1	UNIT mm		
DWG.	DATE							
CHK.	DATE							
APP.	DATE							
				DWG. No.	20633	SIZE A3	SHEET 5/5	REV. 8