

Recommended P/N

20790-0\*\*E-02

PART NO.	Pos.
20790-060E-0#	60

P/N : 20790-0 \*\* E- 0 #

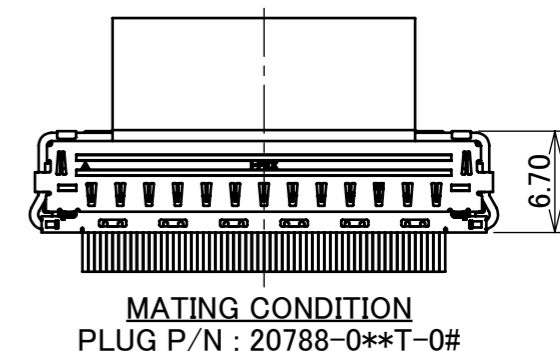
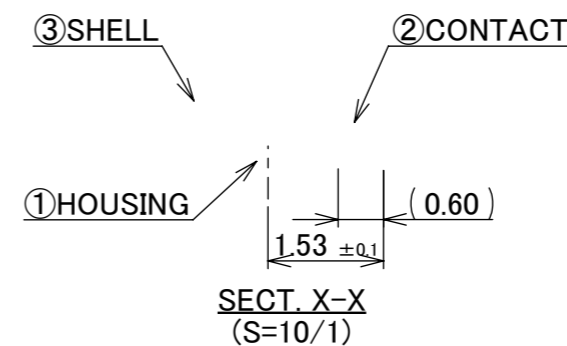
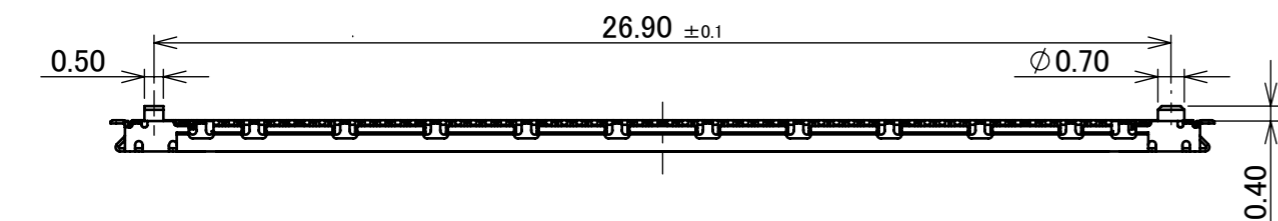
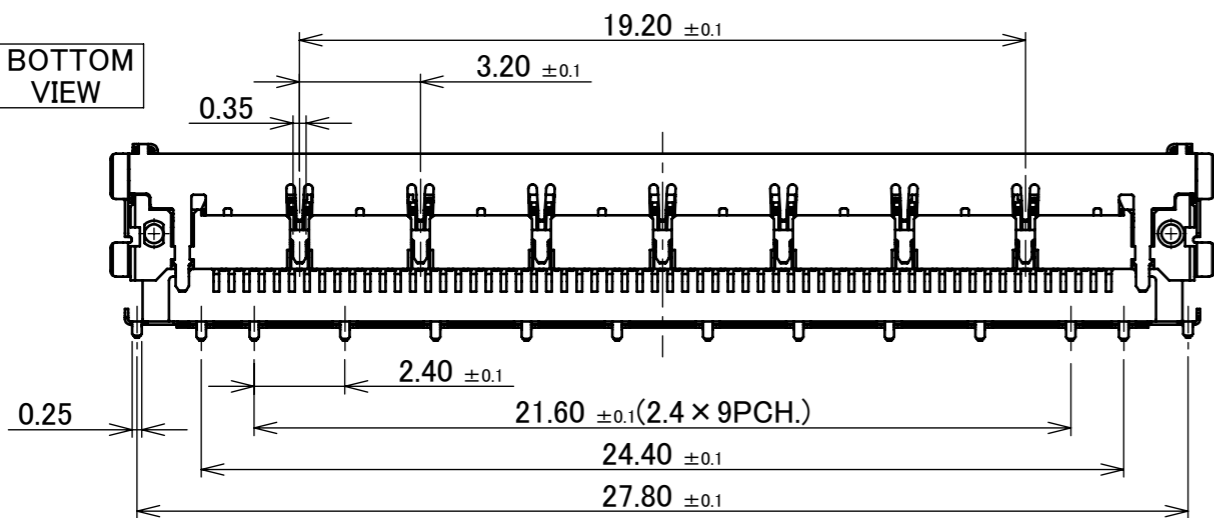
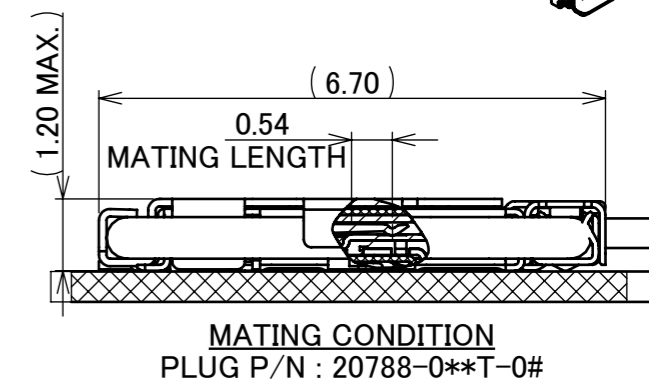
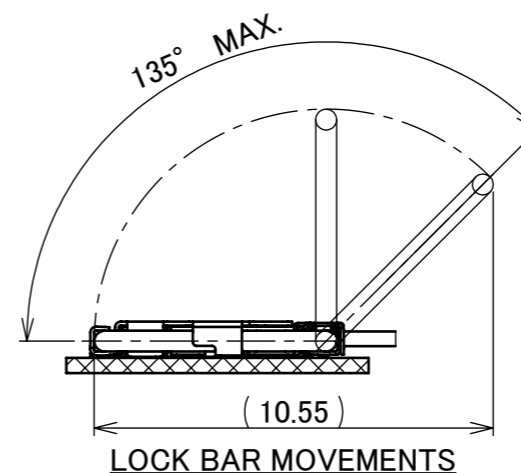
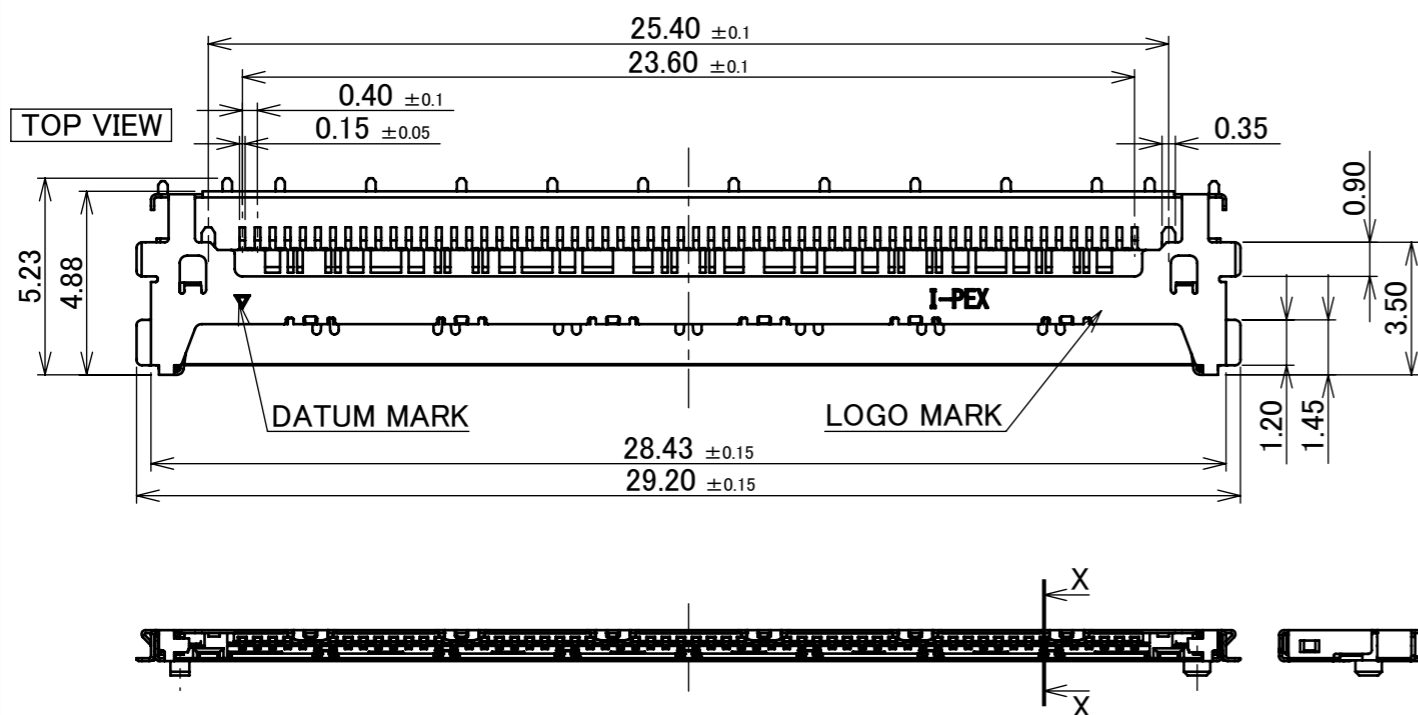
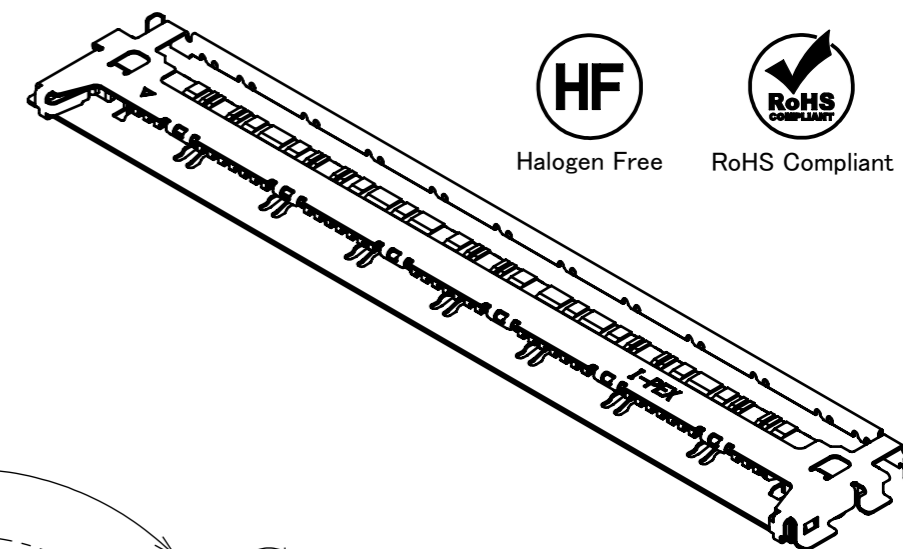
1 : WITH BOSS  
2 : WITHOUT BOSS  
Pos.



Halogen Free



RoHS Compliant



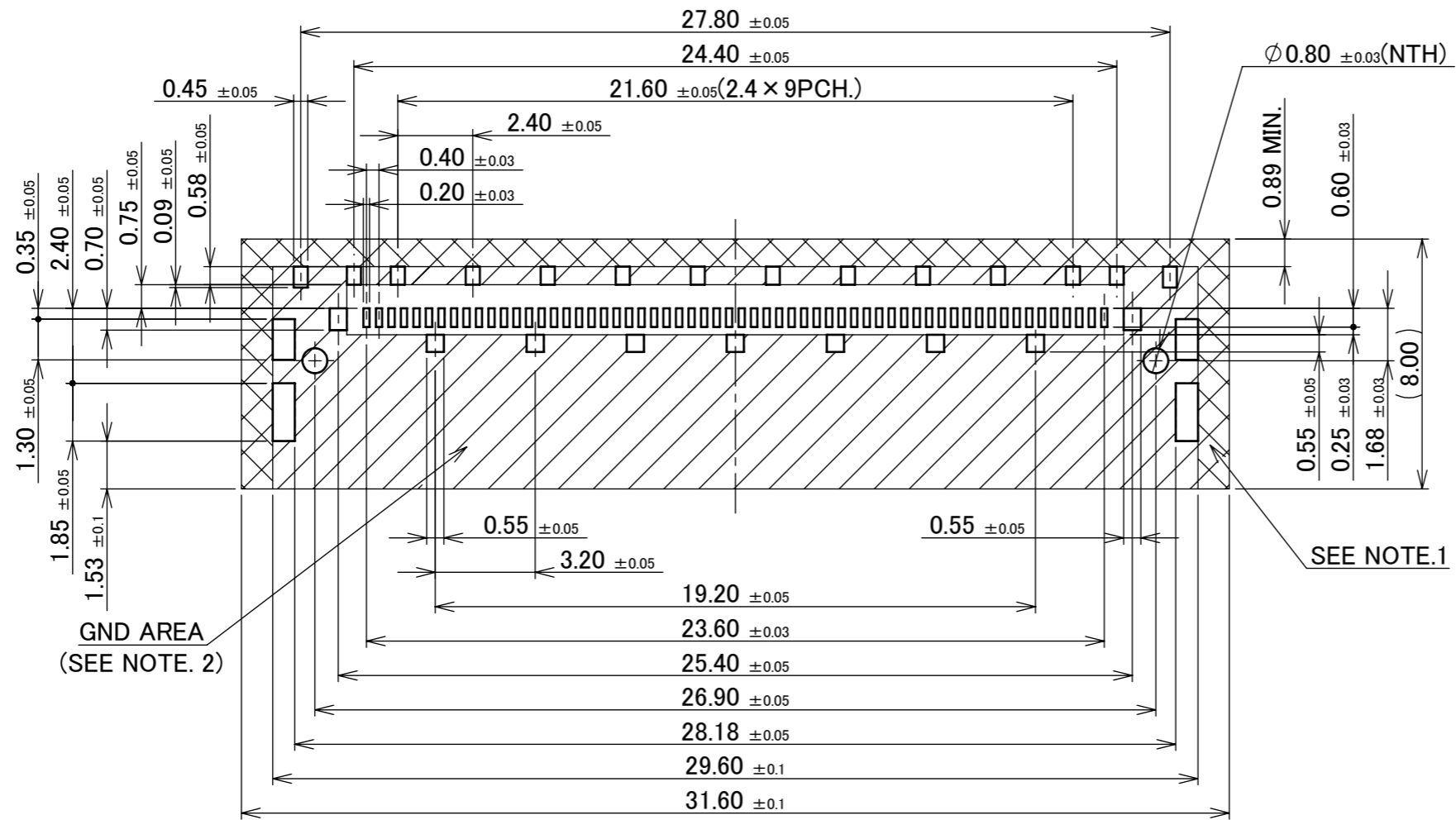
3	SHELL	PHOSPHOR BRONZE	ALL OVER Ni 1.00 μ m MIN. SOLDERING AREA : Au 0.03 μ m MIN.
2	CONTACT	PHOSPHOR BRONZE	ALL OVER Ni 1.00 μ m MIN. CONTACT & SOLDERING AREA : Au 0.03 μ m MIN.
1	HOUSING	LCP	UL94V-0 ,BLACK
NO.	DISCRIPTION	MATERIAL	FINISH , REMARKS

11	Z220151	K.Hara	Feb./14/'22	H.I	ANGLE	±2°	6 OVER 30 MAX.	±0.3	PROJECTION ⊕	SERIES No. R0	CUSTOMER COPY					
10	Z201144	A.K	Nov./04/'20	H.I	6 MAX.	±0.2	30 OVER 120 MAX.	±0.5								
9	Z191187	A.K	Sept./11/'19	H.I	GENERAL TOLERANCE.				TITLE CABLINER® -CA II PLUS RECE. ASSY	SCALE 5:1	UNIT mm	SHEET 1/5	REV. 11			
8	Z191111	A.K	Aug./22/'19	H.I	DWG.	DATE		2016/11/14								
7	Z190854	A.K	June/27/'19	H.I	T.Masunaga											
6	Z190357	H.A	Mar./11/'19	H.I	CHK.	T.Kurachi										
REV.	ECN	BY	DATE	APP.	APP.	J.Tateishi		2016/11/14	DWG. No.	20790	SIZE	A3	SHEET	1/5	REV.	11

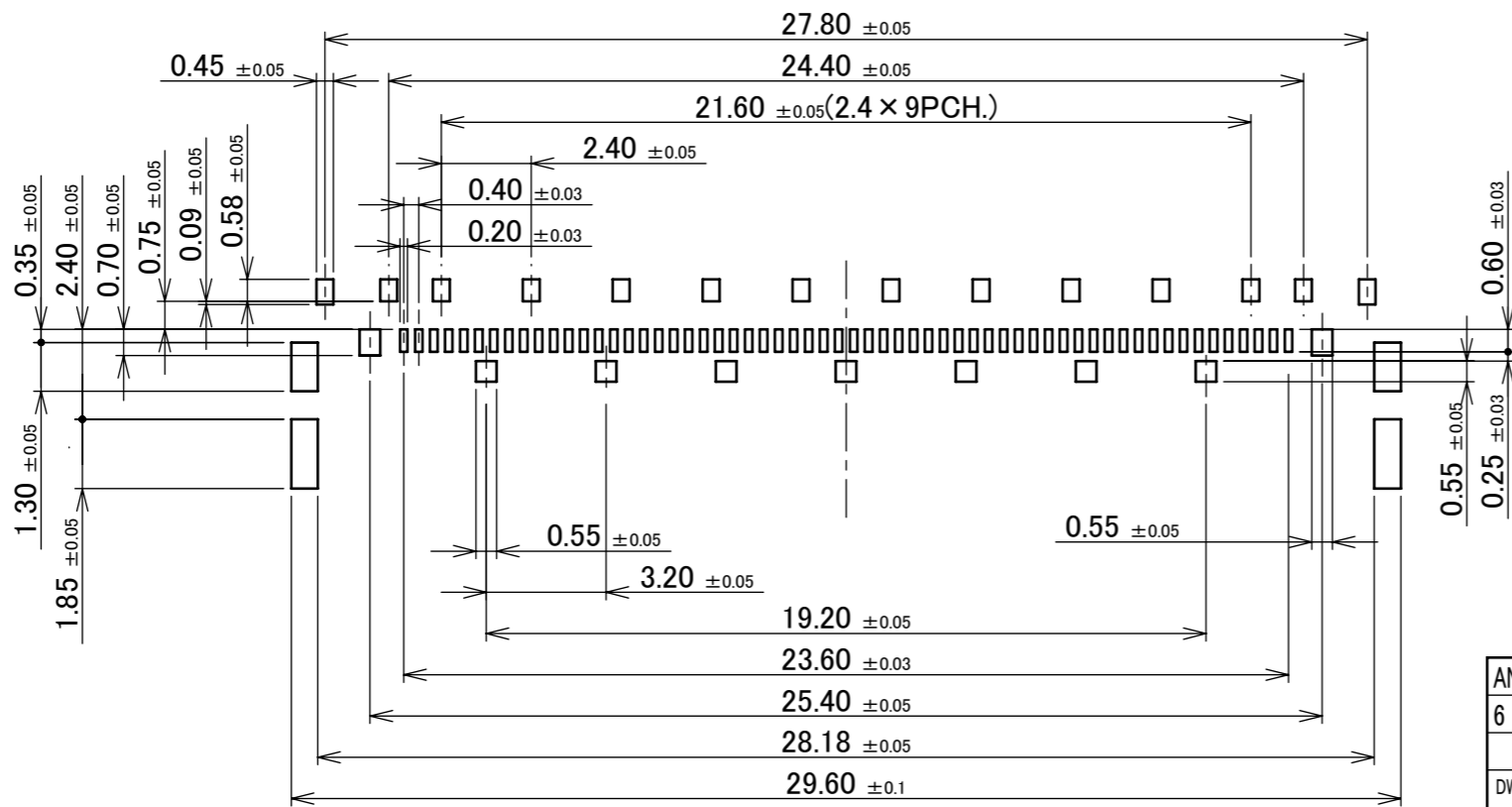
**PATENT REGISTERED**

ITEMS	SPECIFICATION
APPLICABLE CABLE	MICRO COAX : AWG# 44 , 42 , 40 , 38 , 36 DISCRETE : AWG# 36 , 34 TWINCOAX : AWG#40
RATING VOLTAGE	100V AC (PER CONTACT)
RATING AMPERAGE (FOR CONTACT)	0.1A AC/DC [AWG#44] PER CONTACT/UP TO 60 CONTACTS 0.24A AC/DC [AWG#42] PER CONTACT/UP TO 60 CONTACTS 0.3A AC/DC [AWG#40] PER CONTACT/UP TO 60 CONTACTS 0.5A AC/DC [AWG#38] PER CONTACT/UP TO 18 CONTACTS 0.8A AC/DC [AWG#36] PER CONTACT/UP TO 6 CONTACTS 1.0A AC/DC [AWG#34] PER CONTACT/UP TO 6 CONTACTS ※TESTING BY REAL MACHINE IS RECOMMENDED BECAUSE TEMPERATURE RISE MAY AFFECTED BY ACTUAL SITUATION.
OPERATING TEMPERATURE	233~378K(-40°C~105°C)
OPERATING HUMIDITY	85% MAX.(NON-CONDENDING)
CONTACT RESISTANCE	INITIAL : 180mohm MAX.(AWG#34) / AFTER TEST : $\triangle$ 40mohm MAX. 275mohm MAX.(AWG#36) 360mohm MAX.(AWG#38) 600mohm MAX.(AWG#40) 700mohm MAX.(AWG#42) 1080mohm MAX.(AWG#44)
GROUND SHELL RESISTANCE	INITIAL : 50mohm MAX. / AFTER TEST : $\triangle$ 40mohm MAX.
INSULATION RESISTANCE	INITIAL : 1000Mohm MIN. / AFTER TEST : 500Mohm MIN.
DIELECTRIC WITHSTANDING VOLTAGE	AC250V 1min
DURABILITY	30 CYCLES
MATING FORCE (INITIAL / AFTER 30 CYCLES)	29.10N MAX.
UN-MATING FORCE (INITIAL / AFTER 30 CYCLES)	6.0N MIN.
CABLE RETENTION FORCE	29.40N MIN.
COPLANARITY	0.10 MAX.
PRODUCT SPECIFICATION	PRS-2261
TEST REPORT	TR-16075
INSTRUCTION MANUAL	HIM-16028
PACKING STANDARD	PST-16078
APPEARANCE CRITERIA NO.	QLS-A***

ANGLE	$\pm 2^\circ$	6 OVER 30 MAX.	$\pm 0.3$	PROJECTION 	SERIES No. R0	CUSTOMER COPY
	6 MAX.	$\pm 0.2$	30 OVER 120 MAX.			
GENERAL TOLERANCE.				TITLE CABLIN <sup>®</sup> -CA II PLUS RECE. ASSY	SCALE 5:1 UNIT mm	I-PEX
DWG.	DATE					
CHK.						
APP.						
				DWG. No.	20790	SIZE SHEET REV. A3 2/5 11



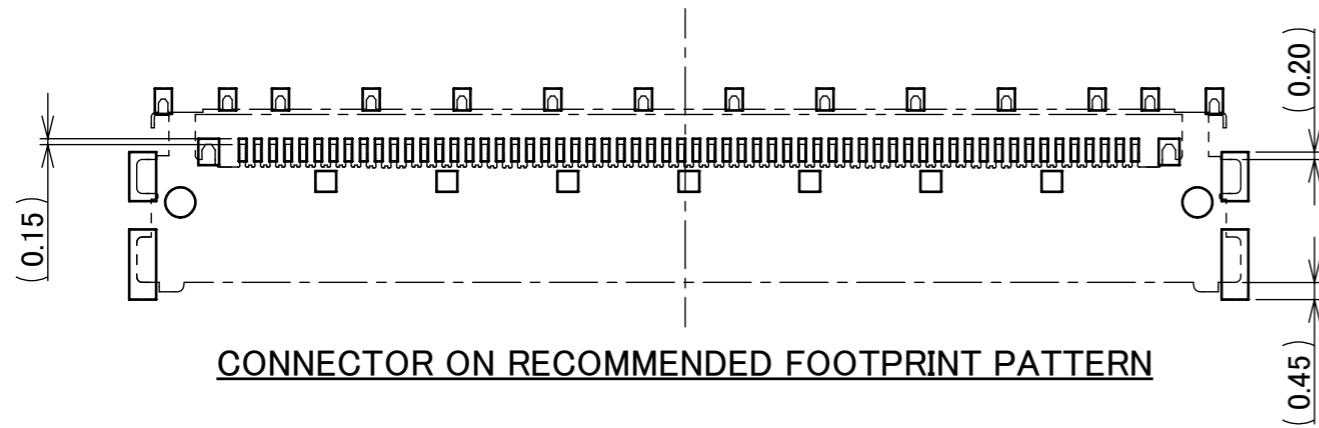
**RECOMMENDED FOOTPRINT PATTERN LAYOUT**



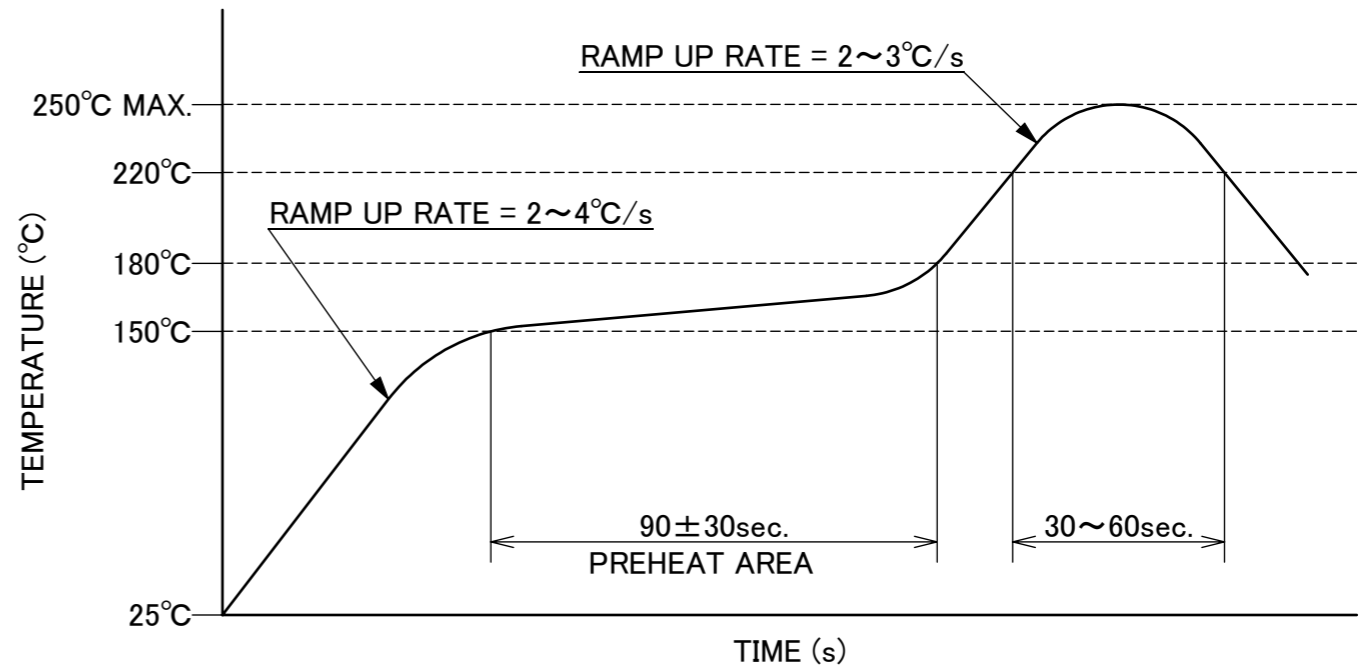
**RECOMMENDED METAL MASK LAYOUT**  
**METAL MASK THICKNESS : t=0.12mm**

- NOTES.**
1. THIS AREA CANNOT MOUNT ANOTHER COMPONENTS.
  2. SOLDER RESIST SHALL BE APPLIED TO PREVENT SHORT CIRCUITS WHEN PLACING SIGNAL LINES ON GROUND AREA.

ANGLE	±2°	6 OVER 30 MAX.	±0.3	PROJECTION	SERIES No.	CUSTOMER COPY	
	6 MAX.	±0.2	30 OVER 120 MAX.	±0.5	R0		
GENERAL TOLERANCE.				TITLE	SCALE	<b>I-PEX</b>	
DWG.	DATE			CABLIN <sup>®</sup> -CA II PLUS RECE. ASSY	5:1		
CHK.					mm		
APP.				DWG. No.	20790	SIZE	SHEET
						A3	3/5
							REV.
							11



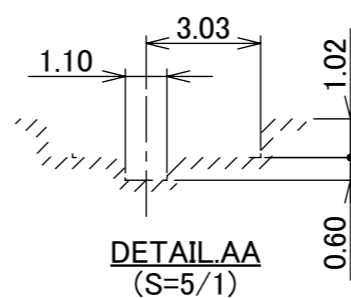
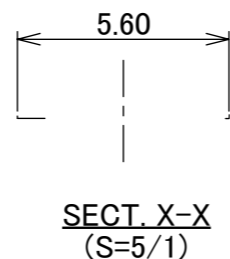
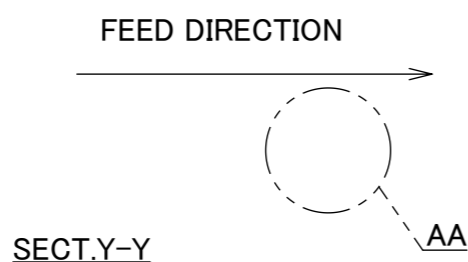
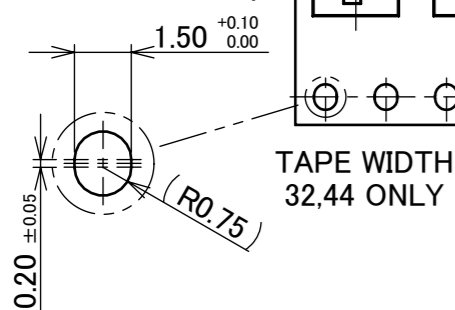
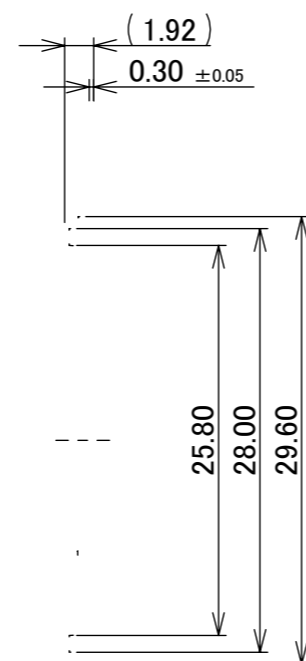
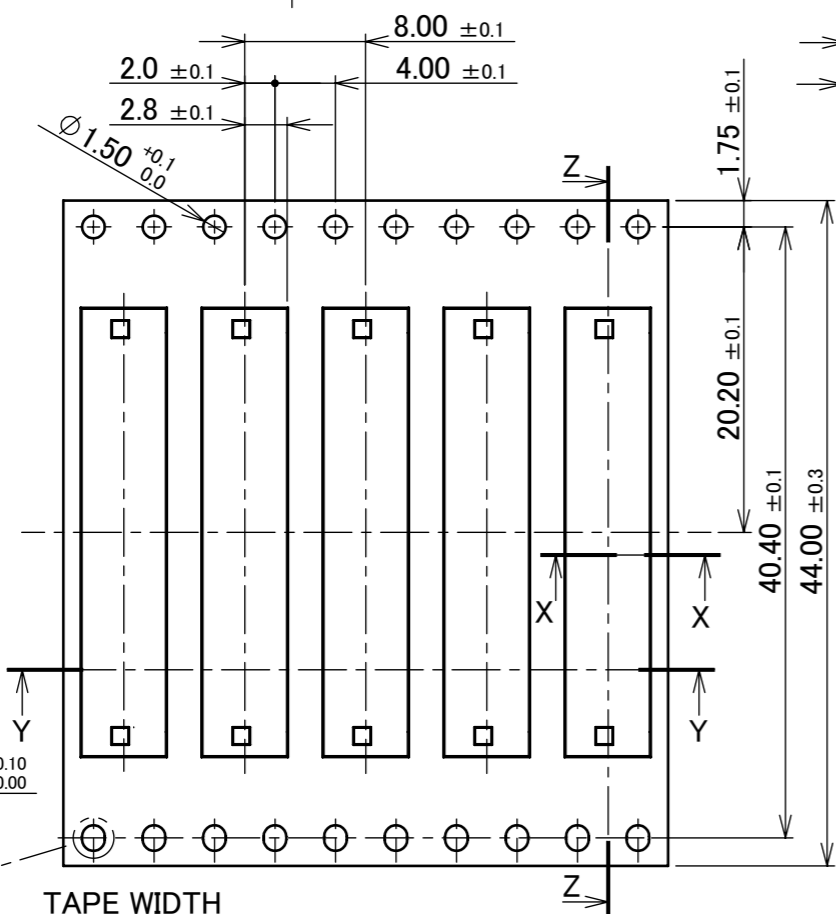
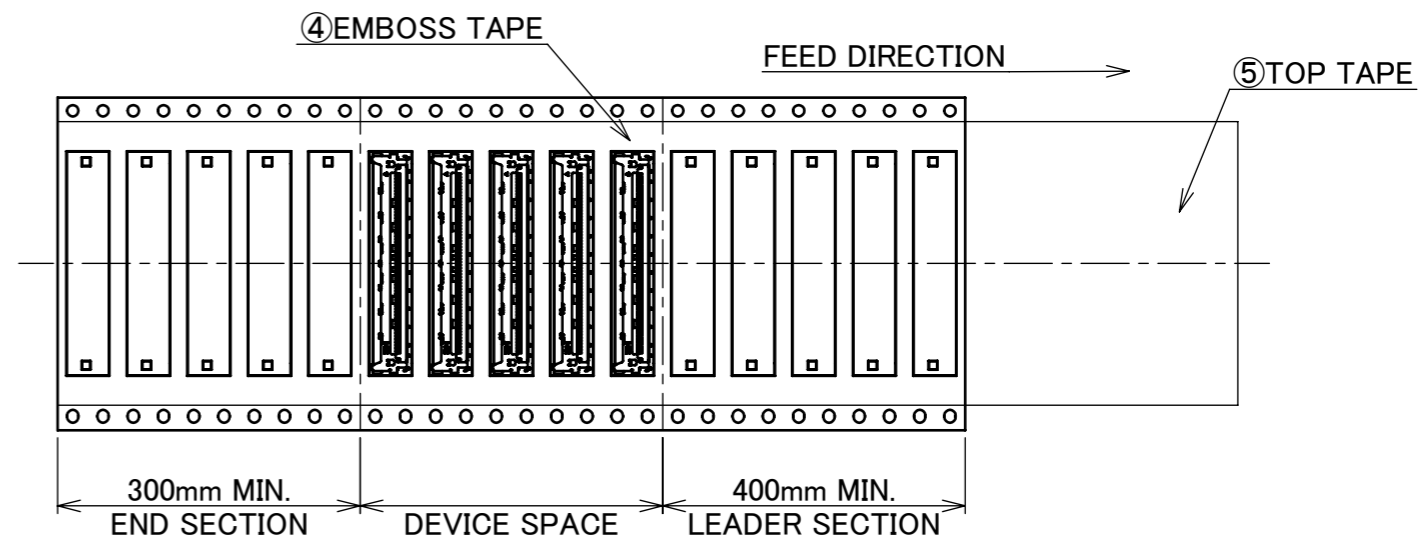
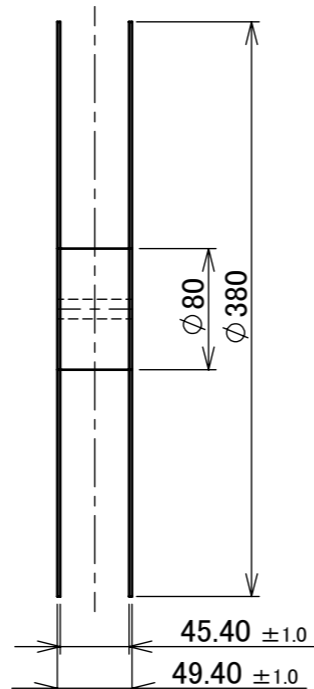
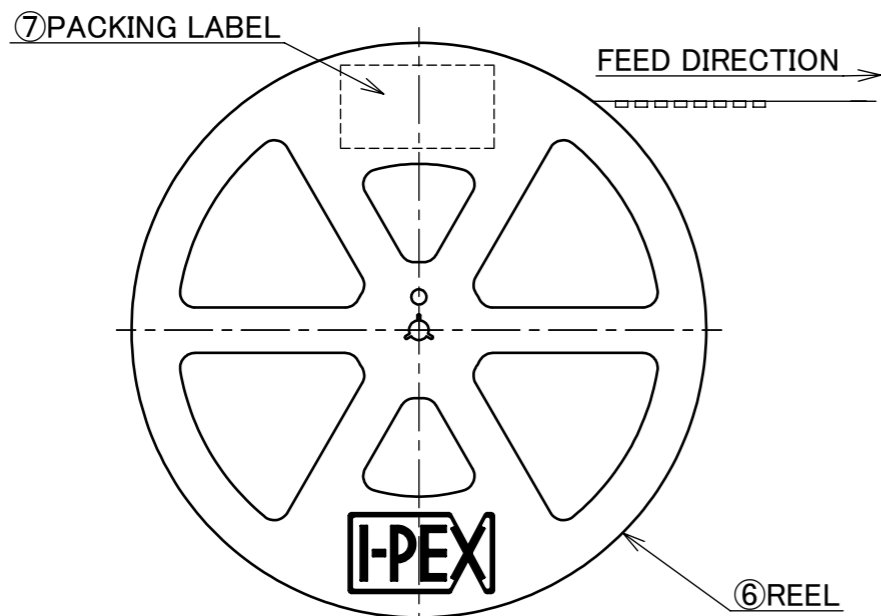
CONNECTOR ON RECOMMENDED FOOTPRINT PATTERN



REFLOW TEMPERATURE PROFILE  
 SENJU METAL INDUSTRY CO., LTD. : M705-SHF(Sn96.5 Ag3.0 Cu0.5)

ANGLE	±2°	6 OVER 30 MAX.	±0.3	PROJECTION 	SERIES No. R0	CUSTOMER COPY		
6 MAX.	±0.2	30 OVER 120 MAX.	±0.5					
GENERAL TOLERANCE.				TITLE CABLINER® -CA II PLUS RECE. ASSY	SCALE 5:1			
DWG.	DATE							
CHK.								
APP.								
				DWG. No.	20790	SIZE A3	SHEET 4/5	REV. 11

PART NO.	QTY. PER EMBOSS REEL (PIECES / REEL)	QTY. PER PACKING CARTON (REELS / CARTON)
20790-060E-0#	5500 / REEL	3 / CARTON = 16500



NOTES.

- TAPING SPECIFICATION FOLLOWS JIS C 0806 (IEC 60286-3).
- MAKE EMPTY SECTION OF LEADER AND END ON EACH END OF THE TAPE.
- TOP TAPE SHALL NOT STICK OUT FROM EMBOSS TAPE.
- TOP TAPE SHALL NOT COVER FEED HOLE.

NO.	DISCRIPTION	MATERIAL	FINISH , REMARKS
7	PACKING LABEL	-	-
6	REEL	PS	ANTI-STATIC TYPE BLACK
5	TOP TAPE	PET t=0.062 TRANSPARENCY	ANTI-STATIC TYPE
4	EMBOSS TAPE	PS t=0.3 TRANSPARENCY	ANTI-STATIC TYPE

ANGLE	±2°	6 OVER 30 MAX.	±0.3	PROJECTION R0	SERIES No. R0	CUSTOMER COPY
6 MAX.	±0.2	30 OVER 120 MAX.	±0.5			
GENERAL TOLERANCE.				TITLE CABLIN® -CA II PLUS RECE. ASSY	SCALE 2:1	UNIT mm
DWG.	DATE					
CHK.						
APP.						
DWG. No. 20790				SIZE A3	SHEET 5/5	REV. 11