

Recommended P/N

20789-0**T-01

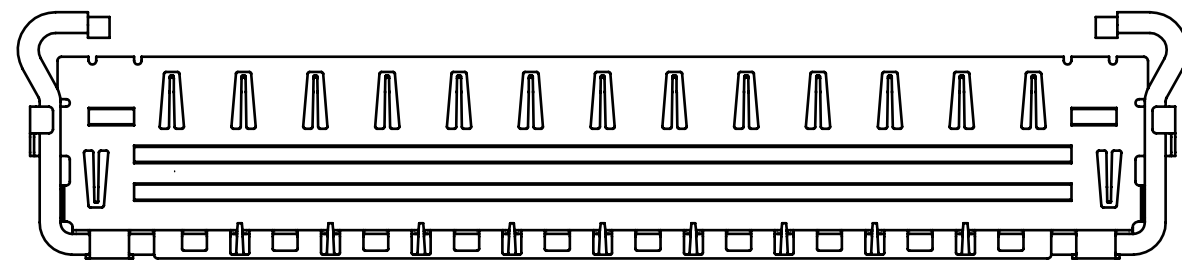
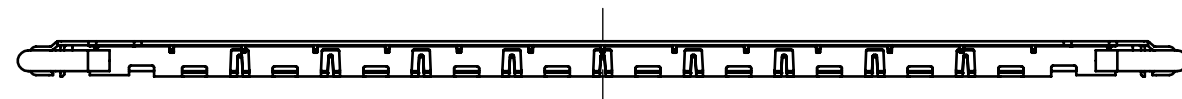
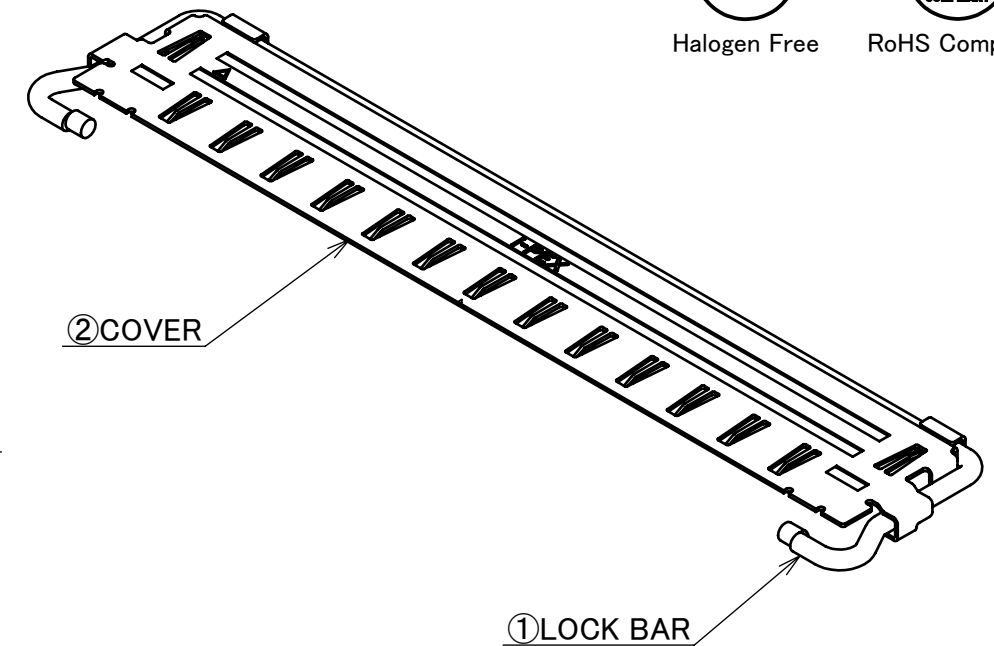
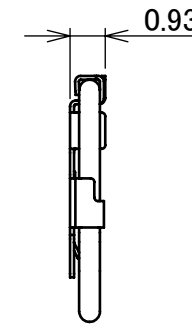
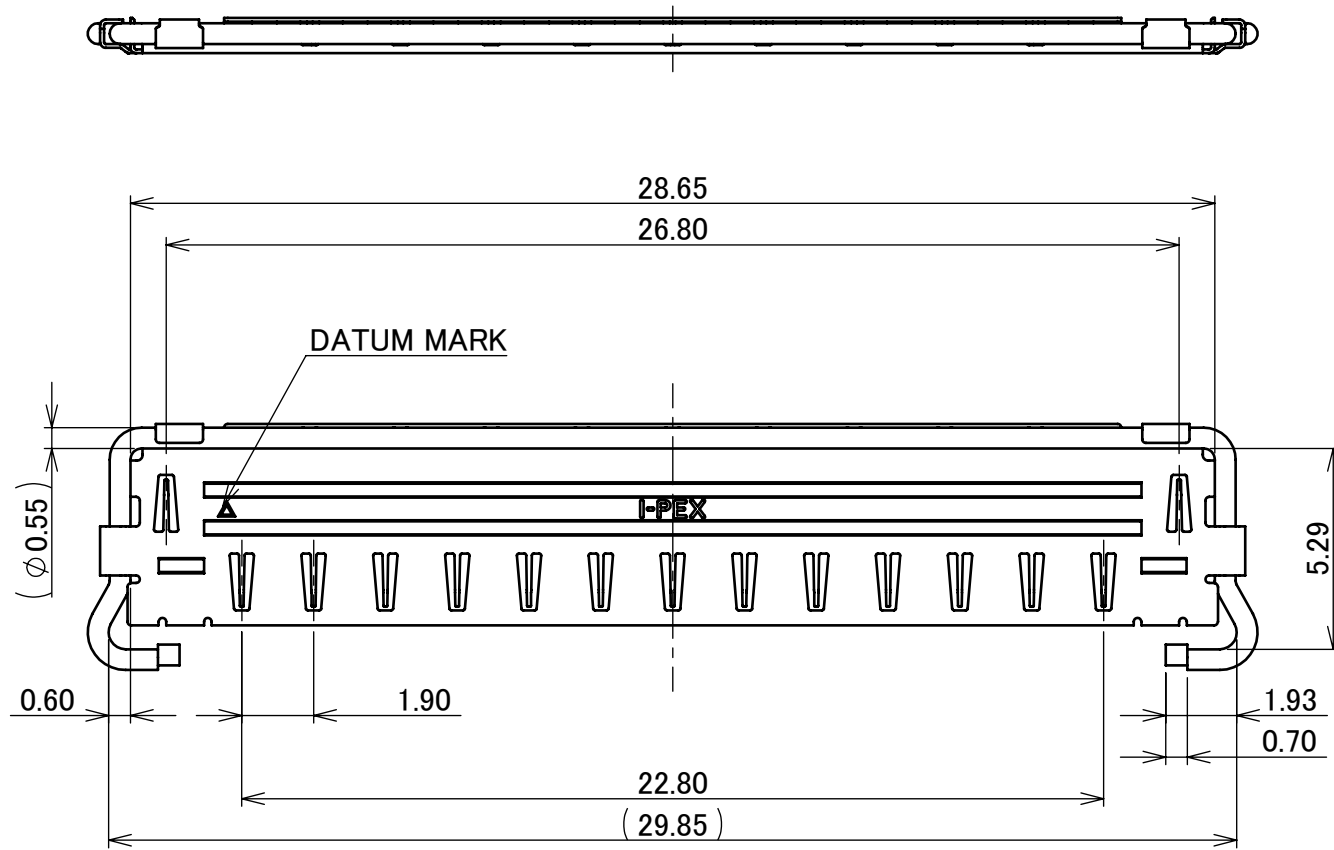
PART NO.	Pos.
20789-060T-01	60



Halogen Free



RoHS Compliant

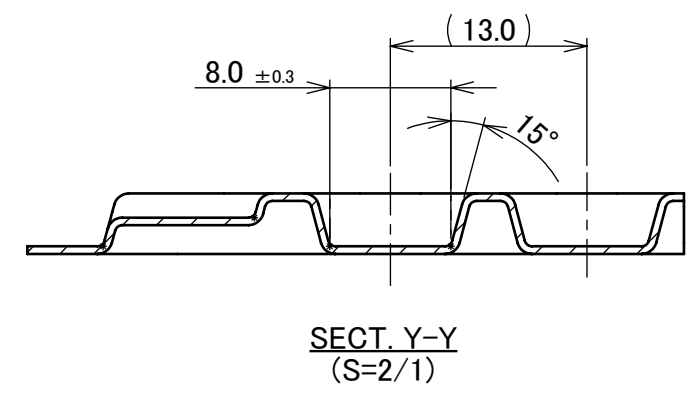
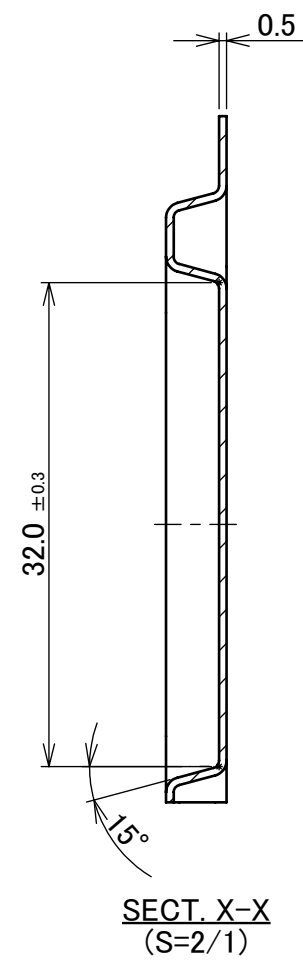
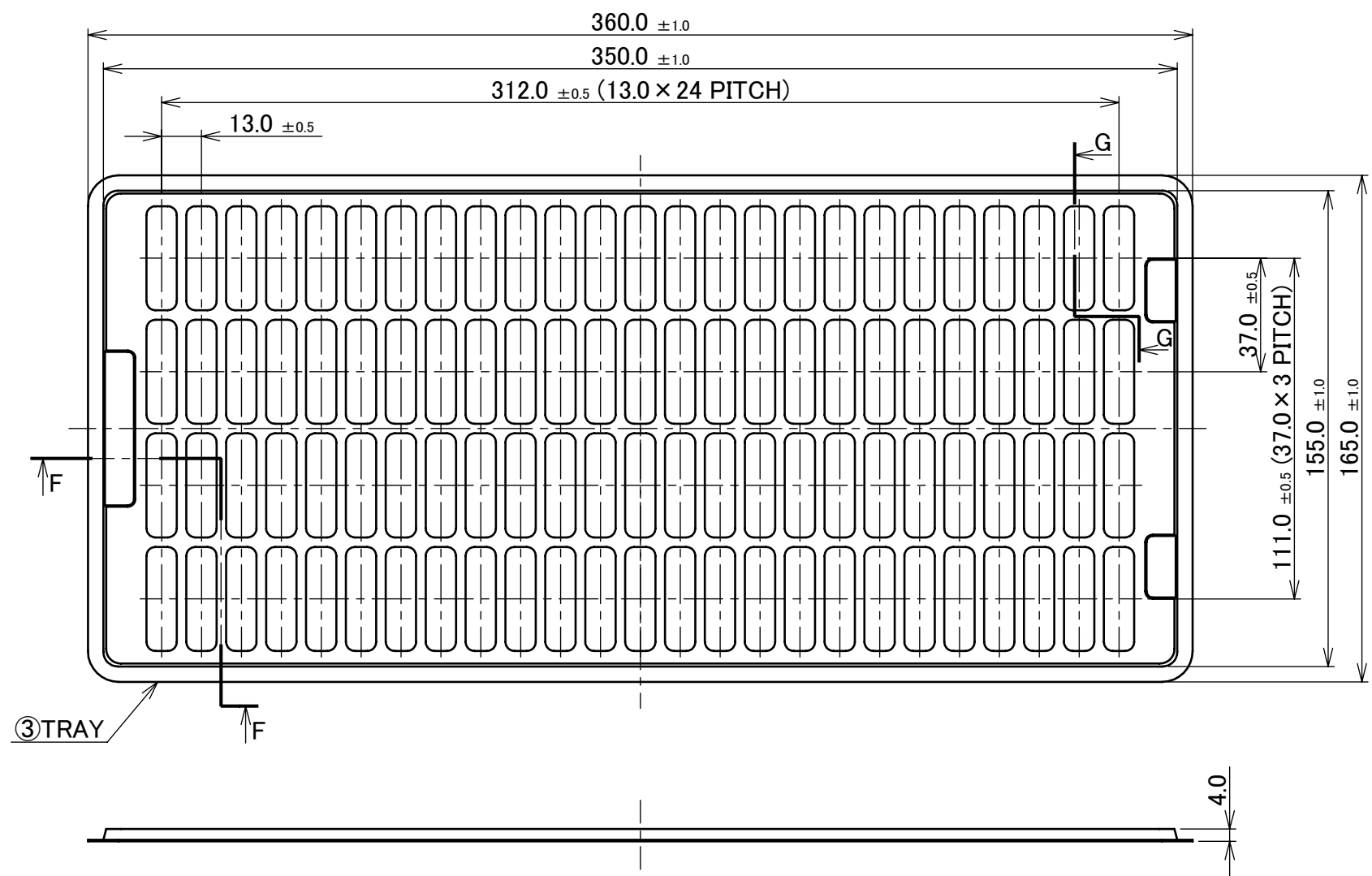


2	COVER	PHOSPHOR BRONZE	ALL OVER Ni 1.00 μm MIN.
1	LOCK BAR	SUS φ0.55	-
NO.	DISCRIPTION	MATERIAL	FINISH , REMARKS

9	Z230125	K.Hara	Jan./31/'23	H.I	ANGLE	±2°	6 OVER 30 MAX.	±0.3	PROJECTION ⊕	SERIES No. R2	CUSTOMER COPY	
8	Z211190	R.H	Sept./30/'21	H.I	6 MAX.	±0.2	30 OVER 120 MAX.	±0.5				
7	Z210843	A.K	July/27/'21	H.I	GENERAL TOLERANCE.				TITLE CABLIN®-CA II PLUS PLUG LOCK BAR ASS'Y	SCALE 5:1 UNIT mm	I-PEX	
6	Z200634	A.K	June/19/'20	Y.S	DWG.	DATE						
5	Z191208	A.K	Sept./12/'19	H.I	T.Masunaga		2016/11/14					
4	Z181226	A.K	Sept./20/'18	H.I	CHK.	J.Tateishi						
REV.	ECN	BY	DATE	APP.	APP.	E.Kawabe		DWG. No.	20789	SIZE	SHEET	REV.
REVISION RECORD									A3	1/2	9	

PATENT REGISTERED

PART NO.	QTY. IN DITCH (PIECES / DITCH)	QTY. IN TRAY (PIECES / TRAY)	QTY. PER SHIPPING CARTON (TRAYS / CARTON)	QTY. PER PACKING CARTON (TRAYS / CARTON)	PACKING STANDARD
20789-060T-01	1	100 / TRAY	20 / S CARTON = 2000	4 / P CARTON = 8000	PST-16077



3	TRAY	PP	ANTI-STATIC TYPE
NO.	DISCRIPTION	MATERIAL	FINISH , REMARKS
ANGLE	±2°	6 OVER 30 MAX.	±0.3
6 MAX.	±0.2	30 OVER 120 MAX.	±0.5
GENERAL TOLERANCE.		PROJECTION	SERIES No.
DWG.	DATE	⊕	R2
CHK.		TITLE	
APP.		CABLIN® -CA II PLUS	
		PLUG LOCK BAR ASS'Y	
		DWG. No.	SCALE
		20789	1:2
			UNIT
			mm
		SIZE	SHEET
		A3	2/2
		REV.	9

Confidential C

I-PEX Inc.

QKE-DFE06-02 REV.12