

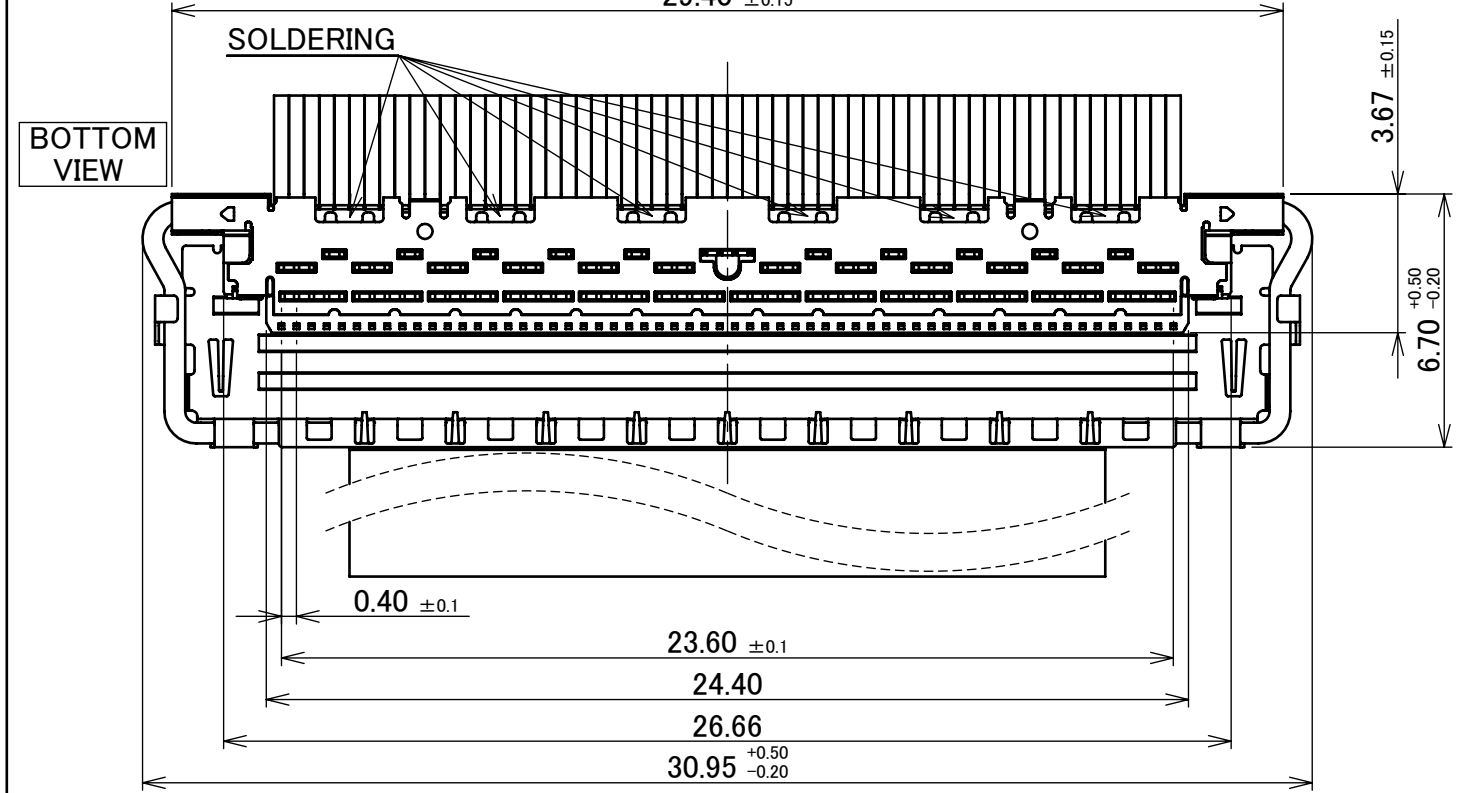
Recommended P/N 20788-0**T-01

PART NO.	Pos.
20788-060T-0#	60



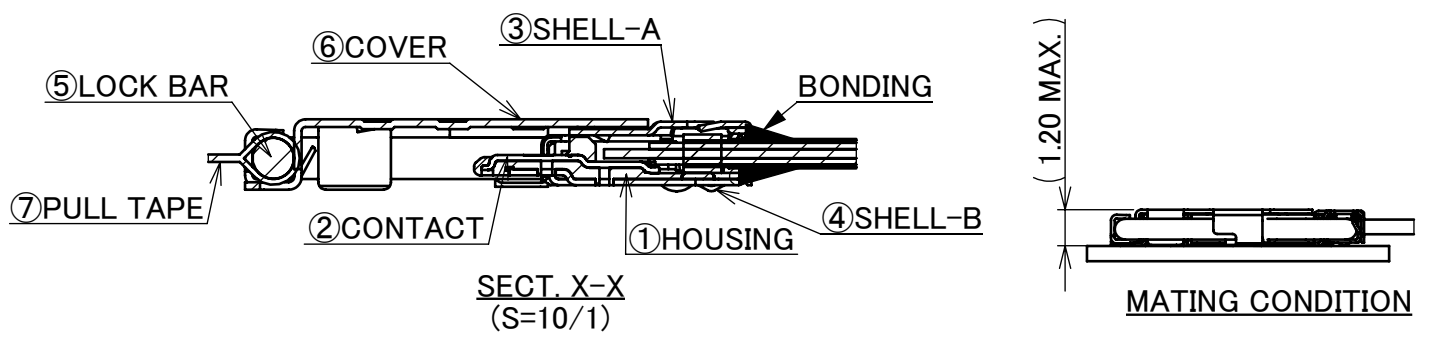
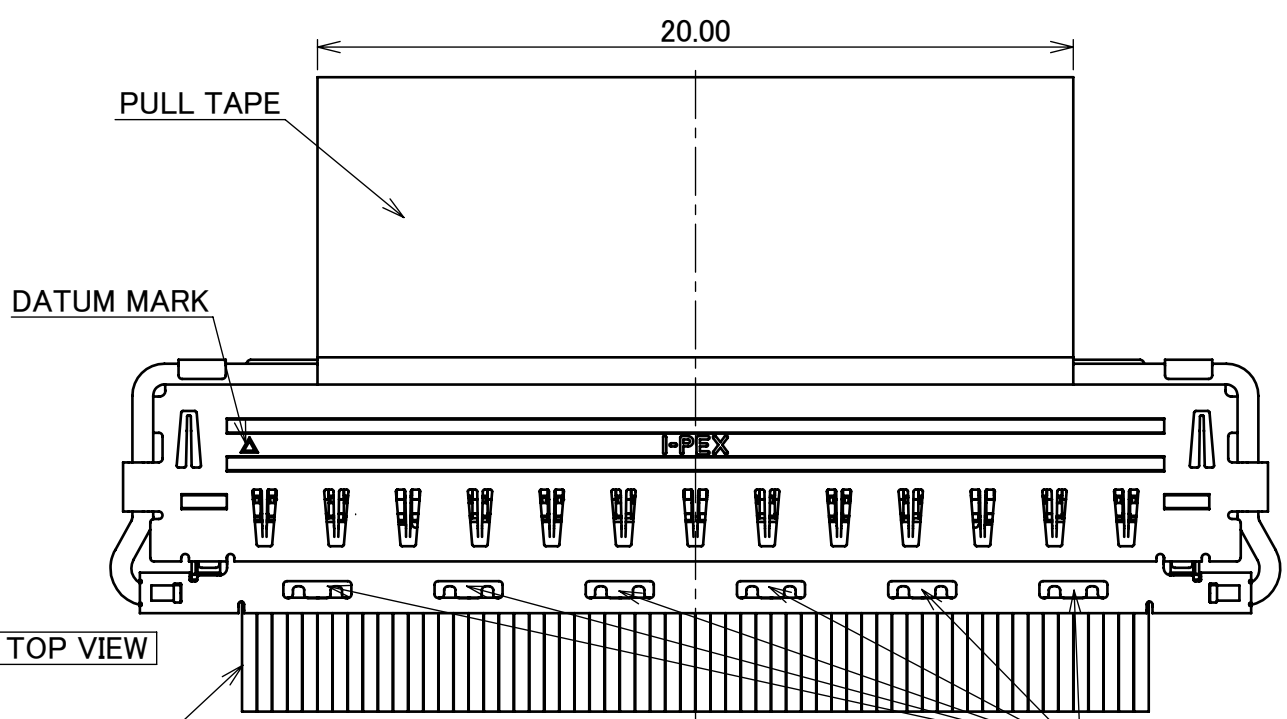
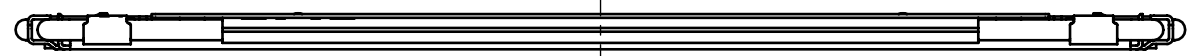
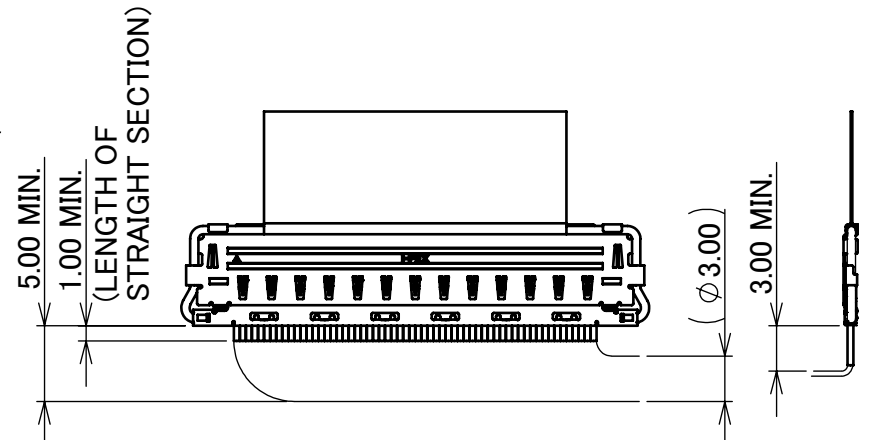
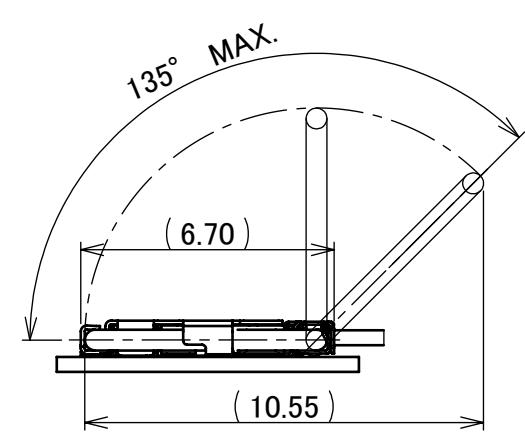
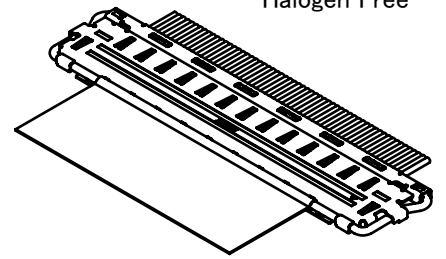
Halogen Free

RoHS Compliant



P/N : 20788-0 ** T-0 #

- 1 : WITHOUT PULL TAPE
 - 2 : WITH PULL TAPE
- Pos.



NO.	DISCRIPTION	MATERIAL	FINISH , REMARKS
7	PULL TAPE	POLYESTER FILM	-
6	COVER	PHOSPHOR BRONZE	ALL OVER Ni 1.00 μ m MIN.
5	LOCK BAR	SUS φ0.55	-
4	SHELL-B	PHOSPHOR BRONZE	PARTIAL Au 0.003 μ m MIN. OVER Ni 1.00 μ m MIN.
3	SHELL-A	PHOSPHOR BRONZE	PARTIAL Au 0.003 μ m MIN. OVER Ni 1.00 μ m MIN.
2	CONTACT	PHOSPHOR BRONZE	ALL OVER Ni 1.00 μ m MIN. CONTACT & SOLDERING AREA : Au 0.03 μ m MIN.
1	HOUSING	LCP	UL94V-0 ,BLACK

PATENT REGISTERED

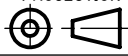

8	Z220151	K.Hara	Feb./14/'22	H.I	ANGLE	±2°	6 OVER 30 MAX.	±0.3	PROJECTION ⊕	SERIES No. R1R2R2	CUSTOMER COPY
7	Z191187	A.K	Sept./11/'19	H.I	6 MAX.	±0.2	30 OVER 120 MAX.	±0.5			
6	Z191111	A.K	Aug./22/'19	H.I	GENERAL TOLERANCE.			TITLE CABLINER® -CA II PLUS PLUG FOR CABLE ASSEMBLY	SCALE 5:1	UNIT mm	I-PEX
5	Z190854	A.K	Aug./22/'19	H.I	DWG.	DATE					
4	Z181515	Y.M	Nov./19/'18	H.I	T.Masunaga		2016/11/14	CHK. T.Kurachi	SIZE A3	SHEET 1/3	REV. 8
3	Z180907	A.K	July/13/'18	H.I	APP.		J.Tateishi				
REV.	ECN	BY	DATE	APP.	REVISION RECORD			DWG. No.	20788		

Confidential C

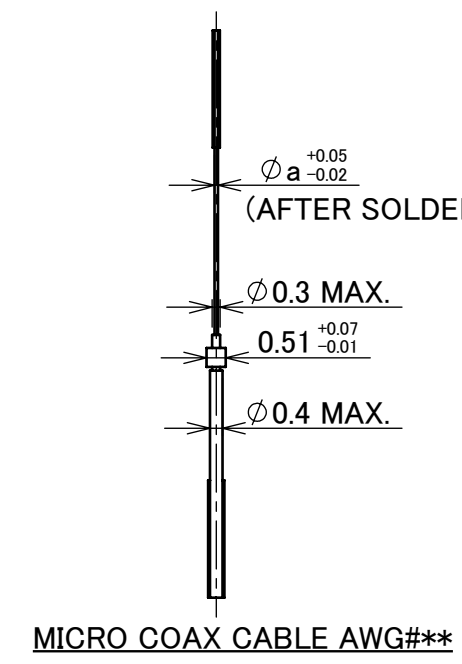
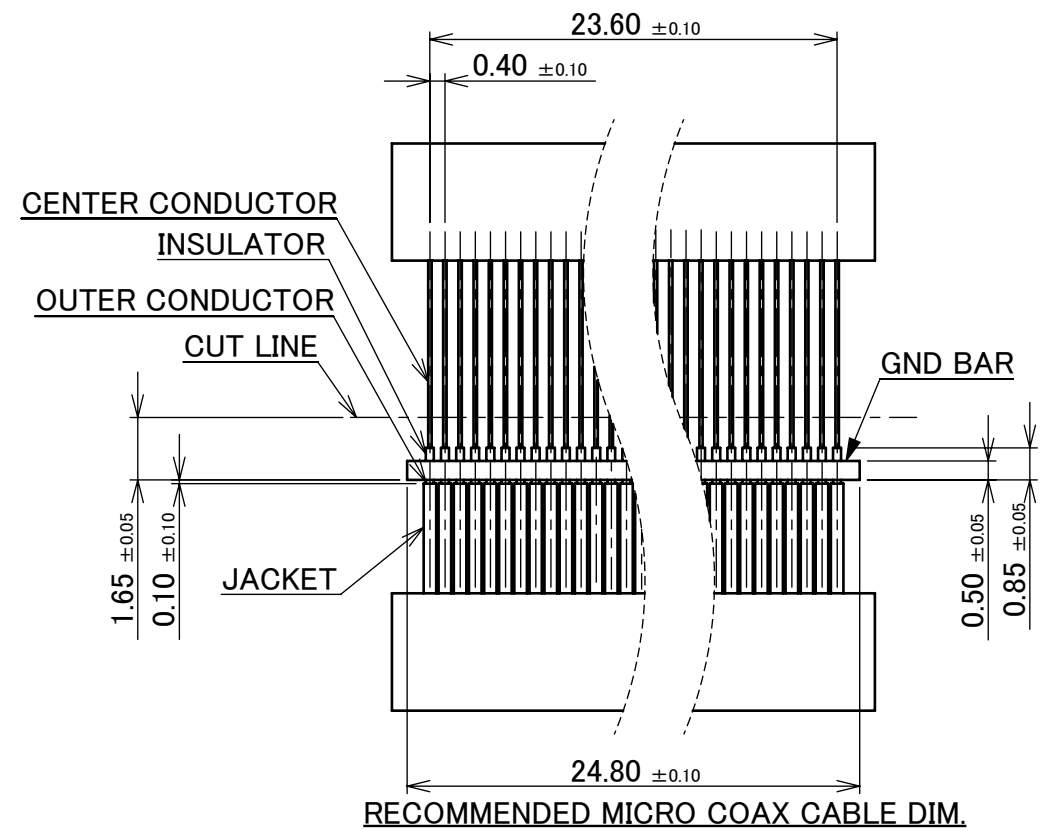
I-PEX Inc.

QKE-DFE06-02 REV.12

ITEMS	SPECIFICATION
APPLICABLE CABLE	MICRO COAX : AWG# 44 , 42 , 40 , 38 , 36 DISCRETE : AWG# 36 , 34 TWINCOAX : AWG#40
RATING VOLTAGE	100V AC (PER CONTACT)
RATING AMPERAGE (FOR CONTACT)	0.1A AC/DC [AWG#44] PER CONTACT / UP TO 60 CONTACTS 0.24A AC/DC [AWG#42] PER CONTACT / UP TO 60 CONTACTS 0.3A AC/DC [AWG#40] PER CONTACT / UP TO 60 CONTACTS 0.5A AC/DC [AWG#38] PER CONTACT / UP TO 18 CONTACTS 0.8A AC/DC [AWG#36] PER CONTACT / UP TO 6 CONTACTS 1.0A AC/DC [AWG#34] PER CONTACT / UP TO 6 CONTACTS ※TESTING BY REAL MACHINE IS RECOMMENDED BECAUSE TEMPERATURE RISE MAY AFFECTED BY ACTUAL SITUATION
OPERATING TEMPERATURE	248~378K(-40°C~105°C)
OPERATING HUMIDITY	85% MAX.(NON-CONDENDING)
CONTACT RESISTANCE	INITIAL : 180mohm MAX.(AWG#34) / AFTER TEST : \triangle 40mohm MAX. 275mohm MAX.(AWG#36) 360mohm MAX.(AWG#38) 600mohm MAX.(AWG#40) 700mohm MAX.(AWG#42) 1080mohm MAX.(AWG#44)
GROUND SHELL RESISTANCE	INITIAL : 50mohm MAX. / AFTER TEST : \triangle 40mohm MAX.
INSULATION RESISTANCE	INITIAL : 1000Mohm MIN. / AFTER TEST : 500Mohm MIN.
DIELECTRIC WITHSTANDING VOLTAGE	AC250V 1min
DURABILITY	30 CYCLES
MATING FORCE (INITIAL / AFTER 30 CYCLES)	29.10N MAX.
UN-MATING FORCE (INITIAL / AFTER 30 CYCLES)	6.0N MIN.
CABLE RETENTION FORCE	29.40N MIN.
PRODUCT SPECIFICATION	PRS-2261
TEST REPORT	TR-16075
INSTRUCTION MANUAL	HIM-16028
ASSEMBLY MANUAL	ASM-16004
APPEARANCE CRITERIA NO.	QLS-A***

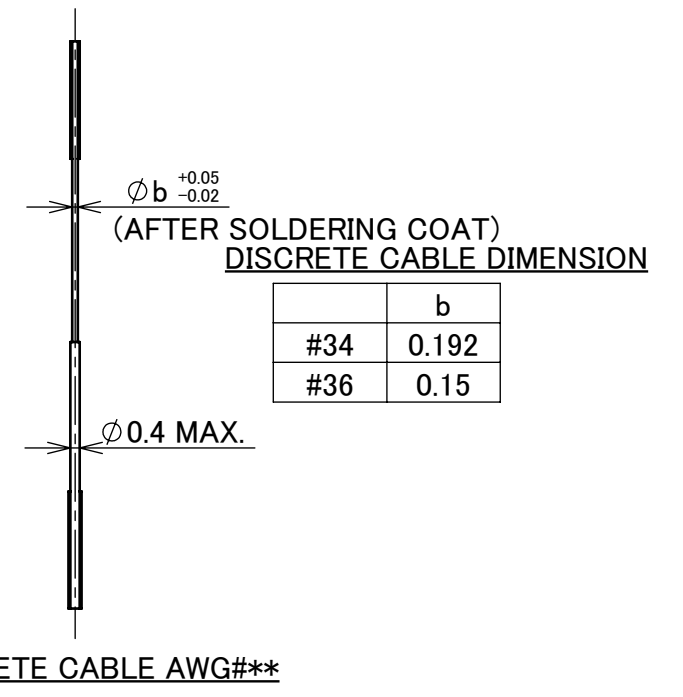
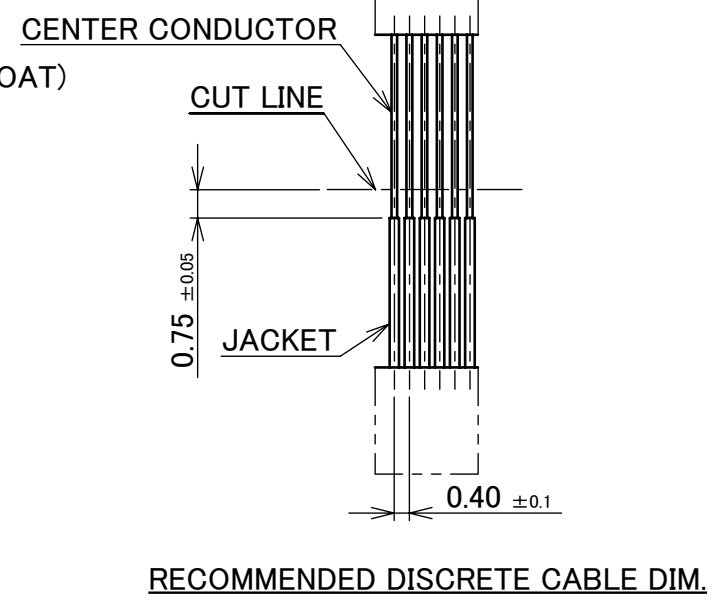
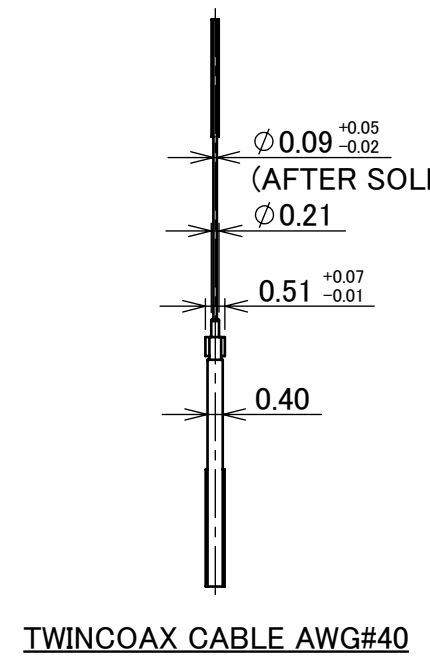
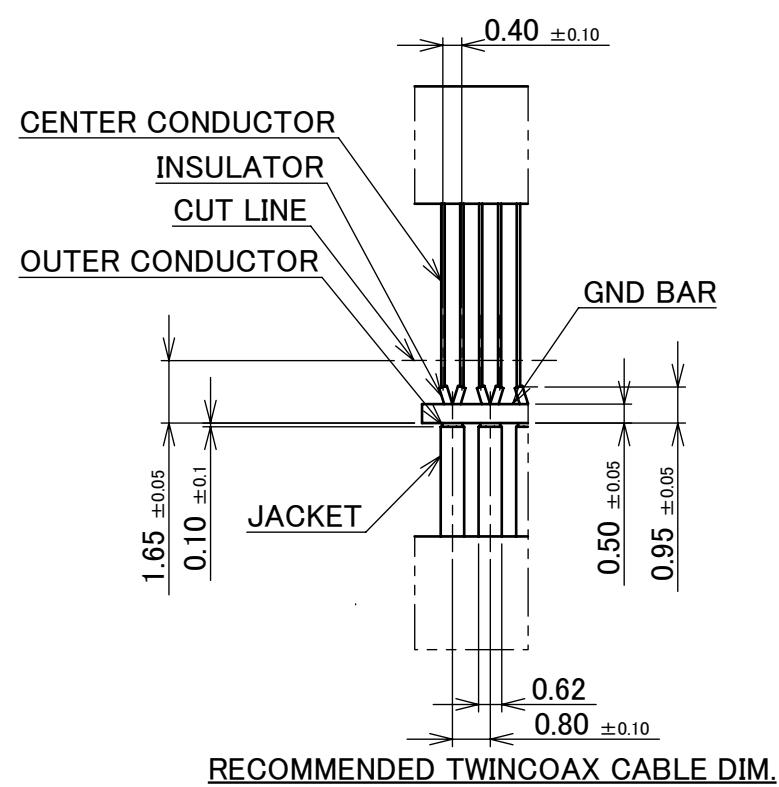
ANGLE	$\pm 2^\circ$	6 OVER 30 MAX.	± 0.3	PROJECTION 	SERIES No. R1R2R2	CUSTOMER COPY		
6 MAX.	± 0.2	30 OVER 120 MAX.	± 0.5					
GENERAL TOLERANCE.				TITLE CABLIN [®] -CA II PLUS PLUG FOR CABLE ASSEMBLY	SCALE 5:1 UNIT mm			
DWG.	DATE							
CHK.								
APP.								
DWG. No.	20788			SIZE A3	SHEET 2/3	REV. 8		

PART NO.	Pos.
20788-060T-##	60



MICRO COAX CABLE DIMENSION

	a
#36	0.15
#38	0.12
#40	0.09
#42	0.075
#44	0.063



DISCRETE CABLE DIMENSION

	b
#34	0.192
#36	0.15

ANGLE	±2°	6 OVER 30 MAX.	±0.3	PROJECTION	SERIES No.	CUSTOMER COPY
	6 MAX.	30 OVER 120 MAX.	±0.5		R1R2R2	
GENERAL TOLERANCE.				TITLE	SCALE	I-PEX
DWG.	DATE			CABLINER [®] -CA II PLUS	5:1	
CHK.				PLUG	UNIT	
APP.				FOR CABLE ASSEMBLY	mm	
				DWG. No.	20788	SIZE
						A3
						SHEET
						3/3
						REV.
						8