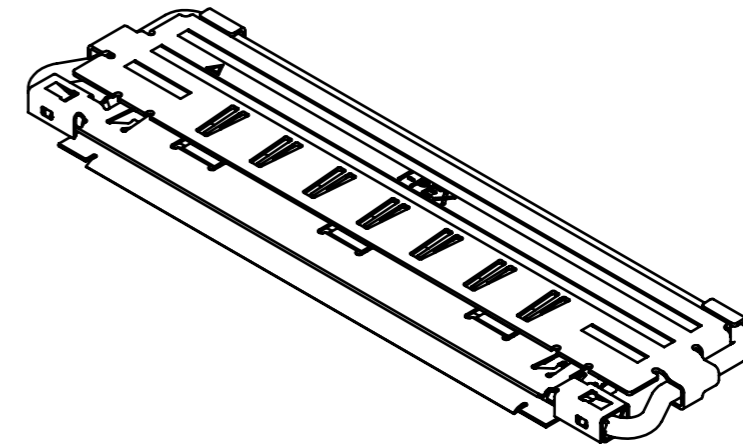
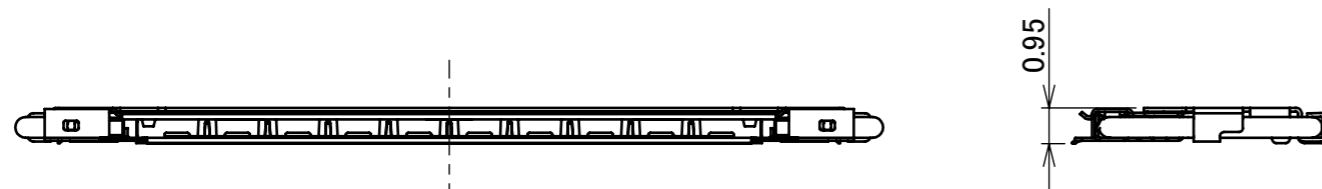
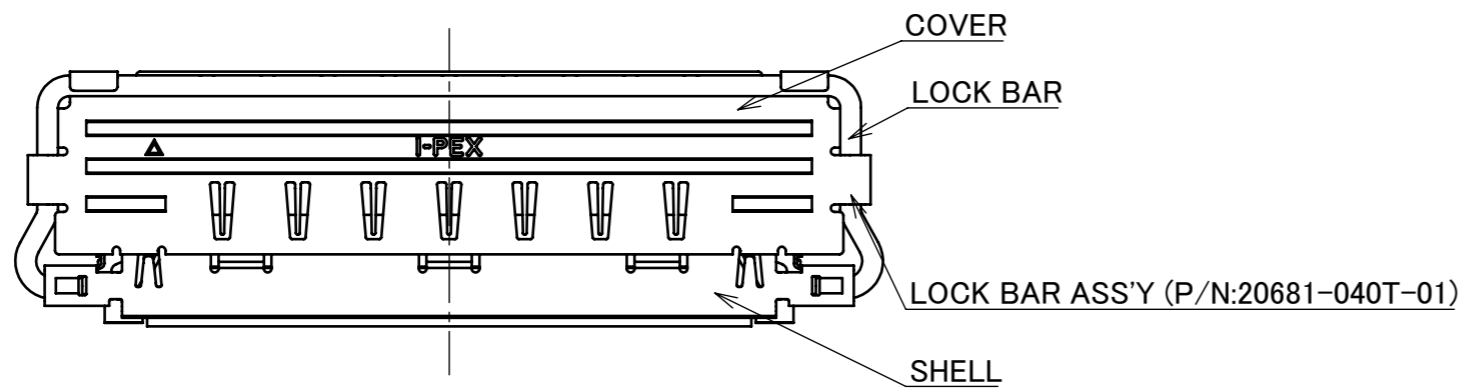
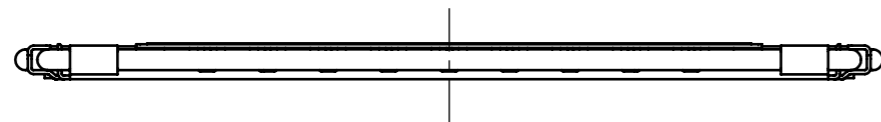
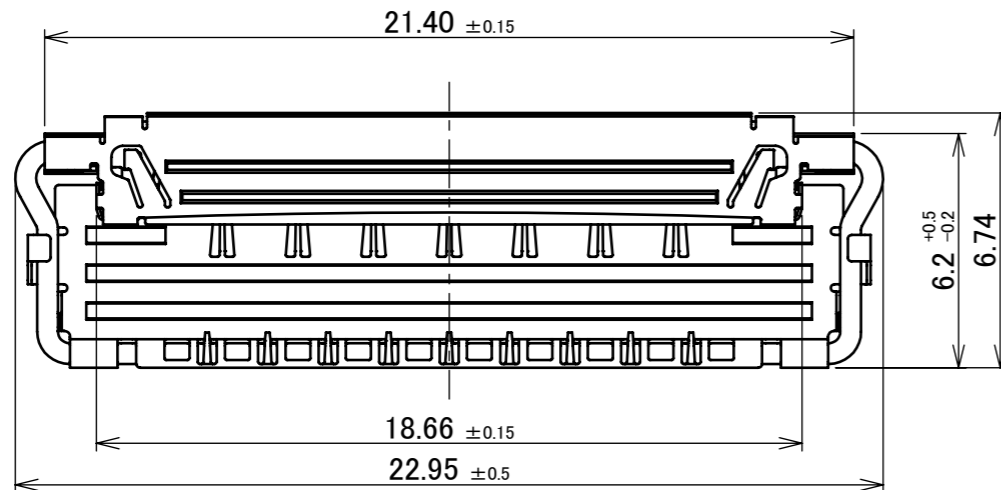


Recommended P/N

20856-040T-01

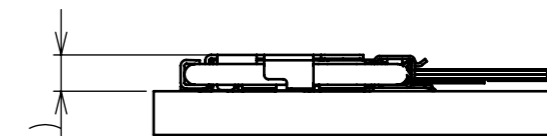
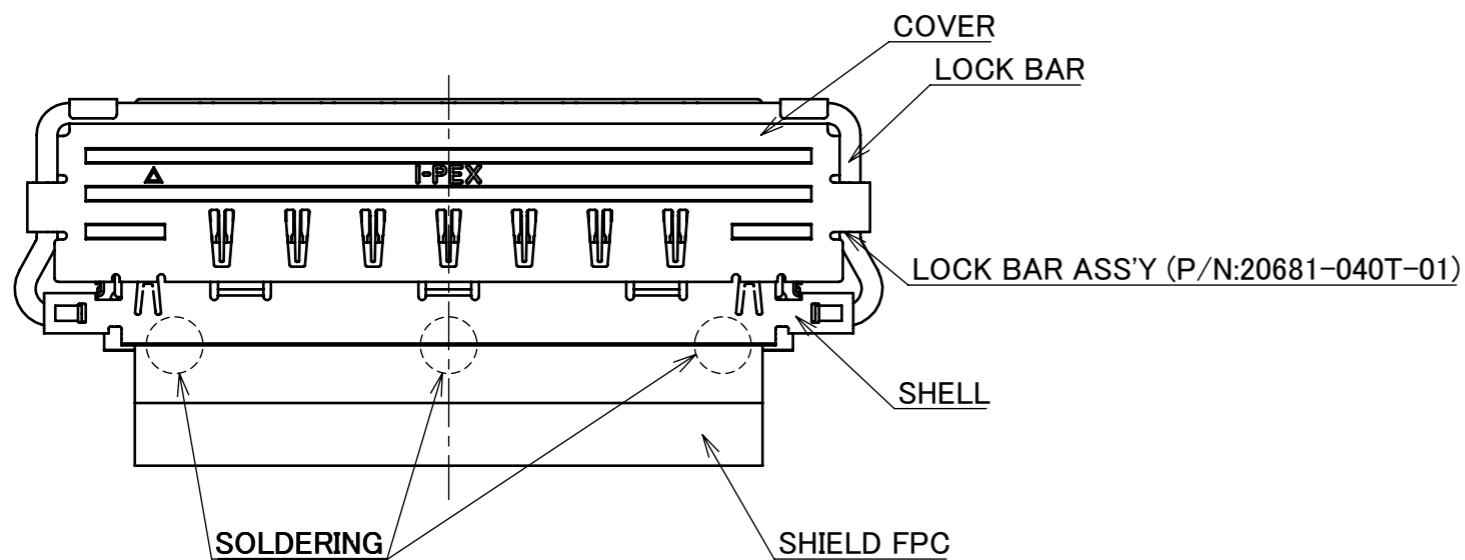
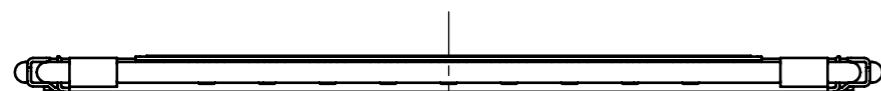
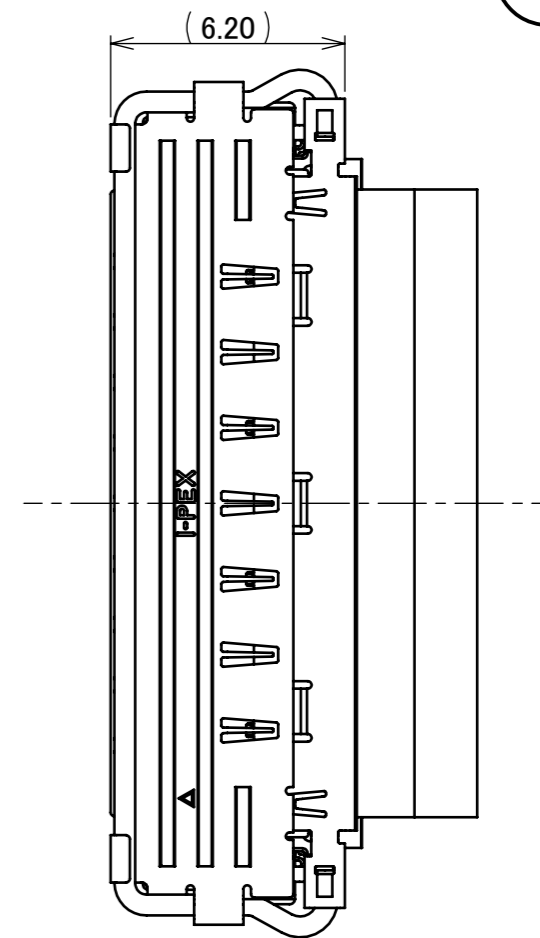
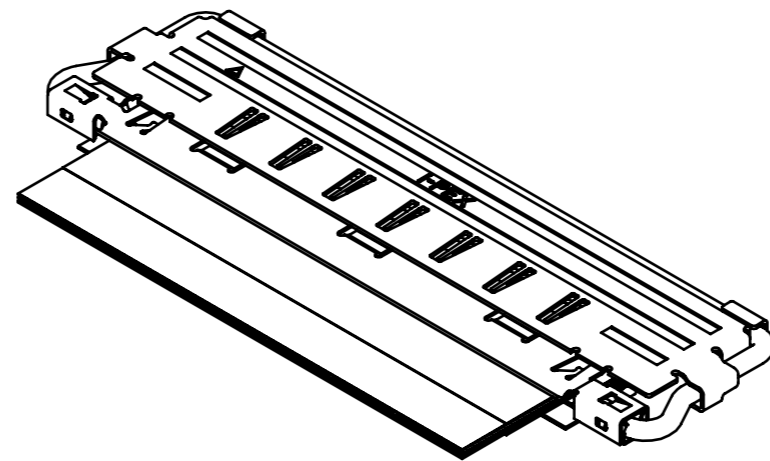
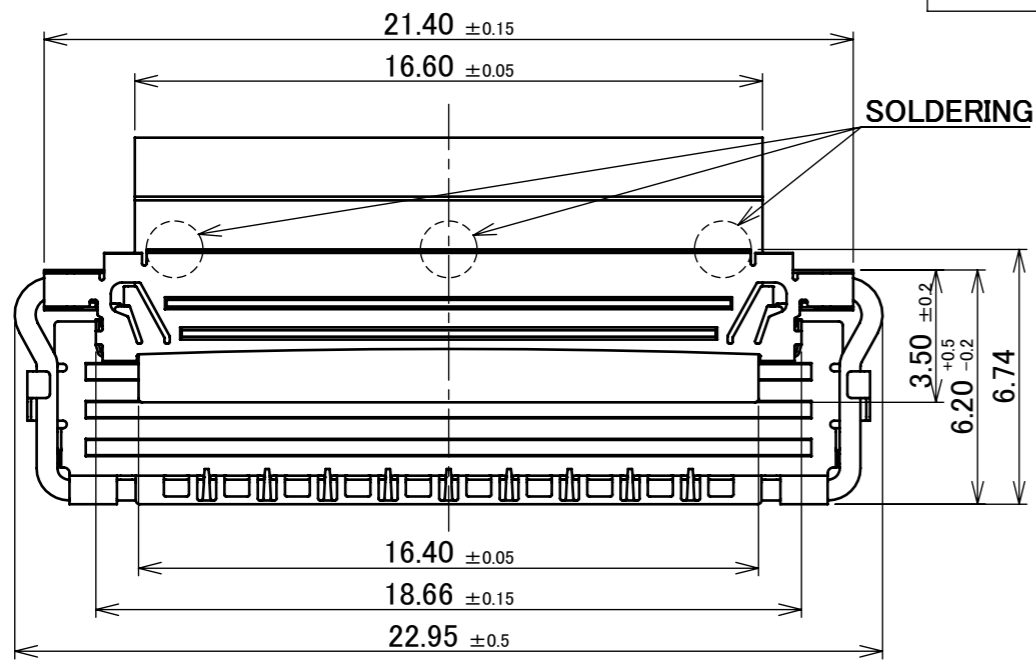
PART No.
20856-040T-01



3	COVER	PHOSPHOR BRONZE	Ni PLATING
2	LOCK BAR	STAINLESS STEEL	-
1	SHELL	PHOSPHOR BRONZE	PARTIAL Au 0.003 μm MIN. OVER Ni 1.00 μm MIN.
NO.	DISCRIPTION	MATERIAL	FINISH , REMARKS

8	Z181504	Y.Sasa	Nov./19/'18	H.I	ANGLE	±2°	6 OVER 30 MAX.	±0.3	PROJECTION ⊕	SERIES No. R0	CUSTOMER COPY			
7	Z181228	Y.Sasa	Sept./20/'18	H.I	6 MAX.	±0.2	30 OVER 120 MAX.	±0.5						
6	Z180978	Y.Sasa	July/27/'18	Y.S	GENERAL TOLERANCE.				TITLE CABLIN®-CA IIF SHELL ASS'Y	SCALE	I-PEX			
5	Z180859	Y.Sasa	July/02/'18	H.I	DWG.	Y.Sasa	DATE	2017/10/03		5:1				
4	Z180489	Y.Sasa	May/08/'18	H.I	CHK.	T.Masunaga	DATE	2017/10/03		mm				
3	Z180382	Y.Sasa	Mar./23/'18	Y.S	APP.	H.Ikari	DATE	2017/10/03	SIZE	A3				
REV.	ECN	BY	DATE	APP.	REVISION RECORD				DWG. No.	20856	SHEET	1/6	REV.	8

FPC ASS'Y STATE COVER CLOSE



(1.10 MAX.)

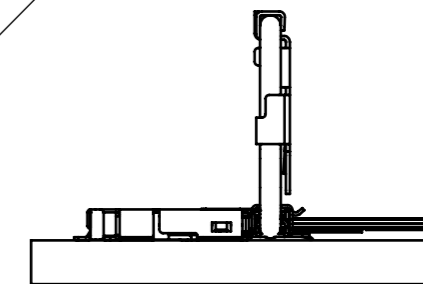
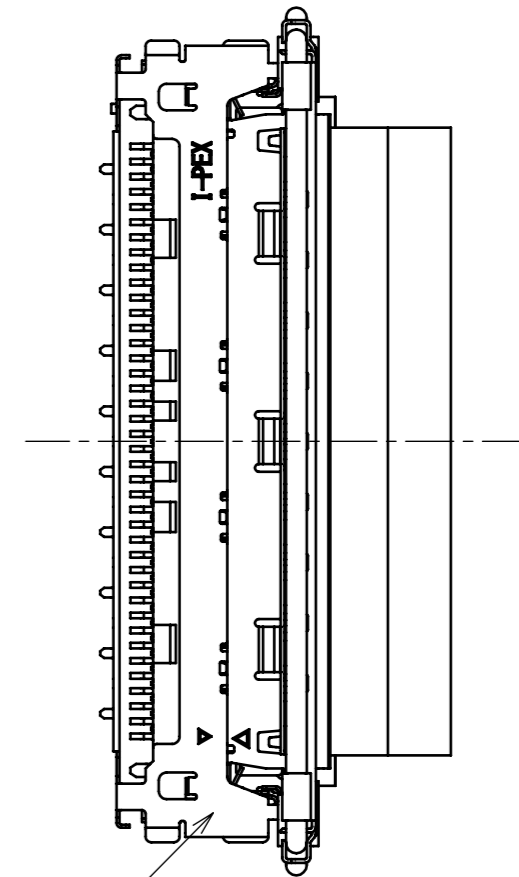
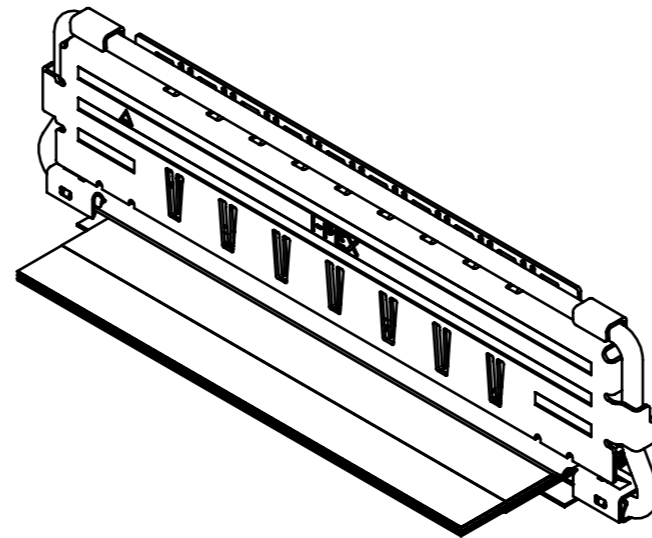
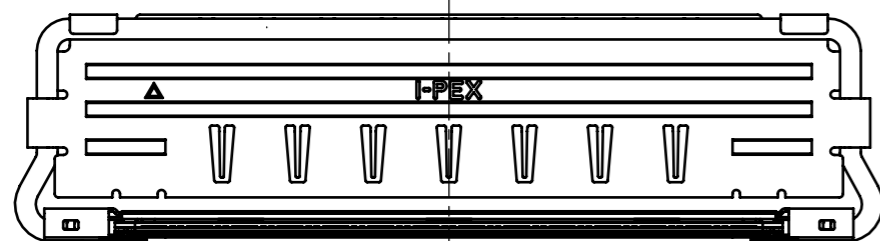
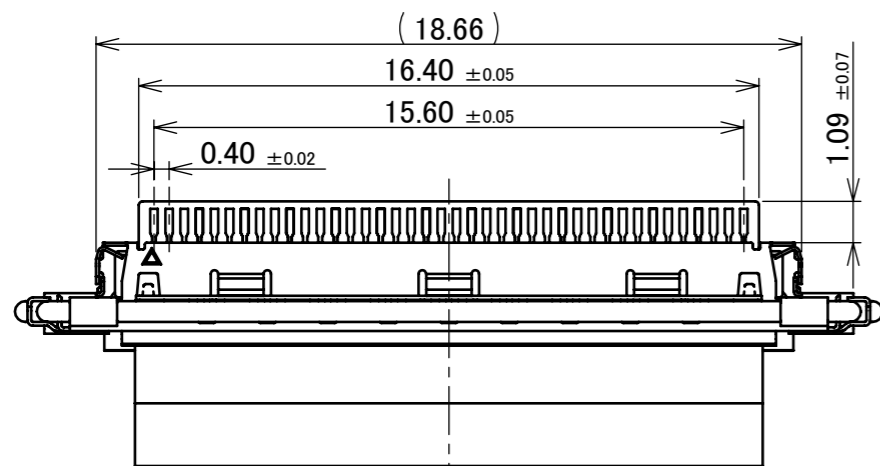
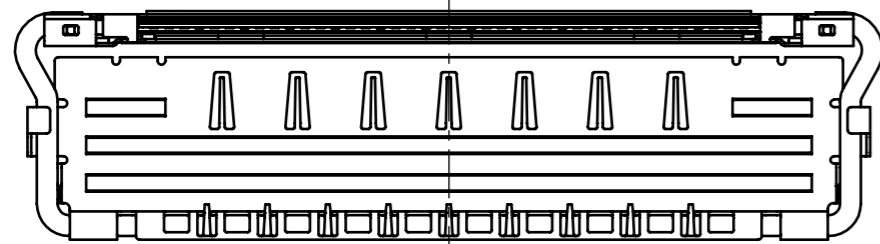
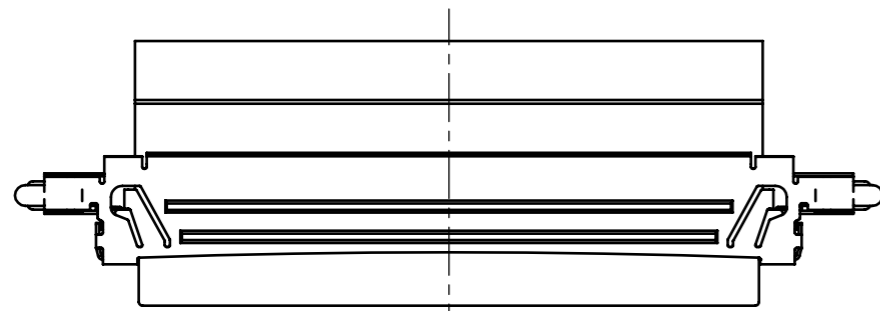
MATING CONDITION



ANGLE	±2°	6 OVER 30 MAX.	±0.3	PROJECTION ⊕	SERIES No. R0	CUSTOMER COPY
6 MAX.	±0.2	30 OVER 120 MAX.	±0.5			
GENERAL TOLERANCE.				TITLE CABLIN [®] -CA IIF SHELL ASS'Y	SCALE 5:1	UNIT mm
DWG.	DATE					
CHK.	DATE					
APP.	DATE					
				DWG. No.	20856	SIZE A3
				SHEET 2/6		REV. 8

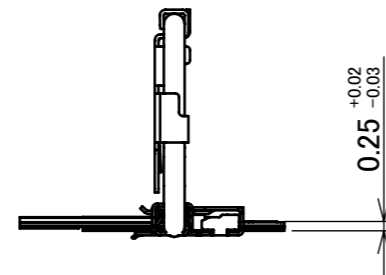


FPC ASS'Y STATE COVER OPEN



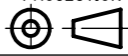
MATING CONDITION

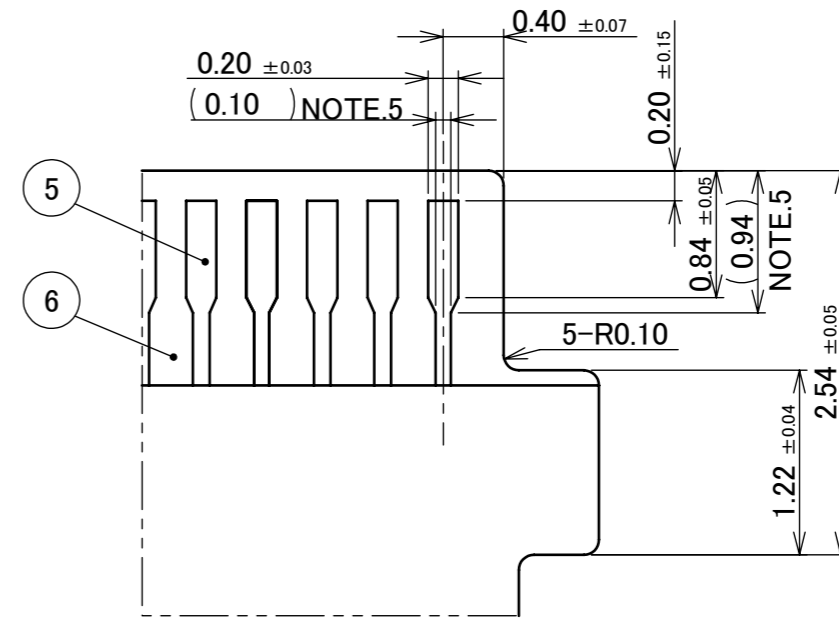
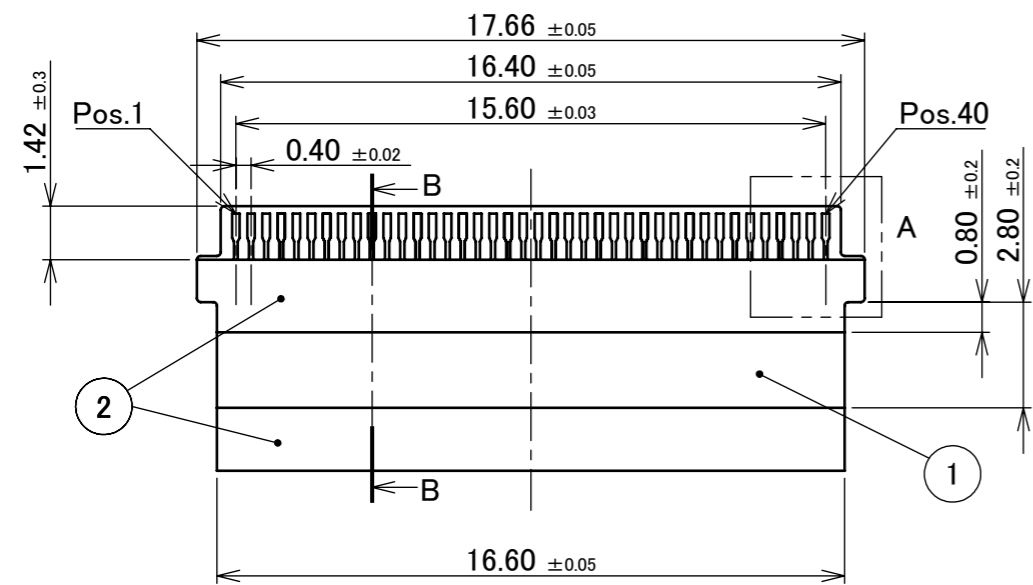
RECEPTACLE ASS'Y(P/N:20682-040E-0#)



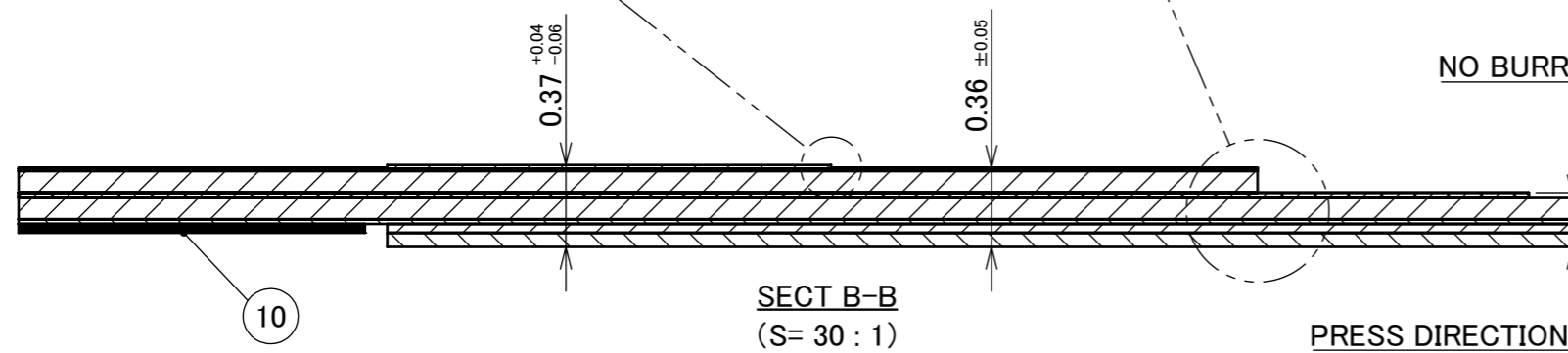
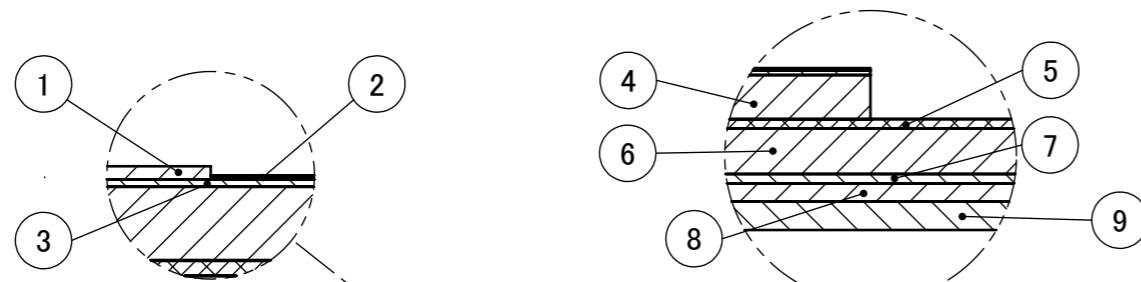
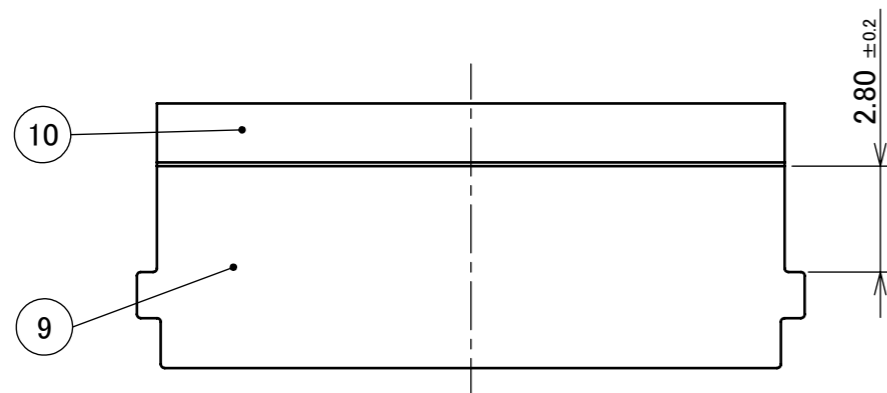
ANGLE	±2°	6 OVER 30 MAX.	±0.3	PROJECTION ⊕	SERIES No. R0	CUSTOMER COPY
6 MAX.	±0.2	30 OVER 120 MAX.	±0.5			
GENERAL TOLERANCE.				TITLE	SCALE	I-PEX
DWG.	DATE	CABLIN [®] -CA IIF SHELL ASS'Y		5:1		
CHK.	DATE			UNIT		
APP.	DATE			mm		
				DWG. No.	SIZE	
		20856	A3	SHEET 3/6	REV. 8	

ITEMS	SPECIFICATION
RATING VOLTAGE	100V AC (PER CONTACT)
RATING AMPERAGE (FOR SIGNAL CONTACT)	0.3A AC/DC (PER CONTACT)
OPERATING TEMPERATURE	233~358K(-40°C~+85°C)
OPERATING HUMIDITY	85% MAX.(NON-CONDENSING)
CONTACT RESISTANCE (FOR SIGNAL CONTACT)	INITIAL : 60mohm MAX. / AFTER TEST : \triangleleft 40mohm MAX.
GROUND SHELL RESISTANCE	INITIAL : 60mohm MAX. / AFTER TEST : \triangleleft 40mohm MAX.
INSULATION RESISTANCE	INITIAL : 1000Mohm MIN. / AFTER TEST : 500Mohm MIN.
DIELECTRIC WITHSTANDING VOLTAGE	AC250V 1min
DURABILITY	30 CYCLES
MATING FORCE (INITIAL / AFTER TEST)	40P : 13.5N MAX.
UNMATING FORCE (INITIAL / AFTER TEST)	40P : 1.4N MIN.
PRODUCT SPECIFICATION	PRS-2418
TEST REPORT	TR-17079
PACKING STANDARD	PST-17104
INSTRUCTION MANUAL	HIM-17029
ASSEMBLY MANUAL	ASM-17006

ANGLE	$\pm 2^\circ$	6 OVER 30 MAX.	± 0.3	PROJECTION 	SERIES No. R0	CUSTOMER COPY
6 MAX.	± 0.2	30 OVER 120 MAX.	± 0.5			
GENERAL TOLERANCE.				TITLE CABLIN [®] -CA IIF SHELL ASS'Y	SCALE UNIT mm	I-PEX
DWG.	DATE					
CHK.	DATE					
APP.	DATE					
				DWG. No.	20856	SIZE A3
				SHEET	4/6	REV. 8



DETAIL A
(S=20 : 1)



SECT B-B
(S= 30 : 1)

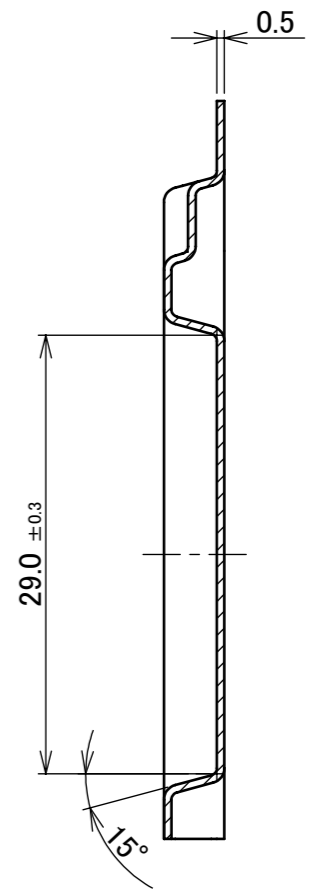
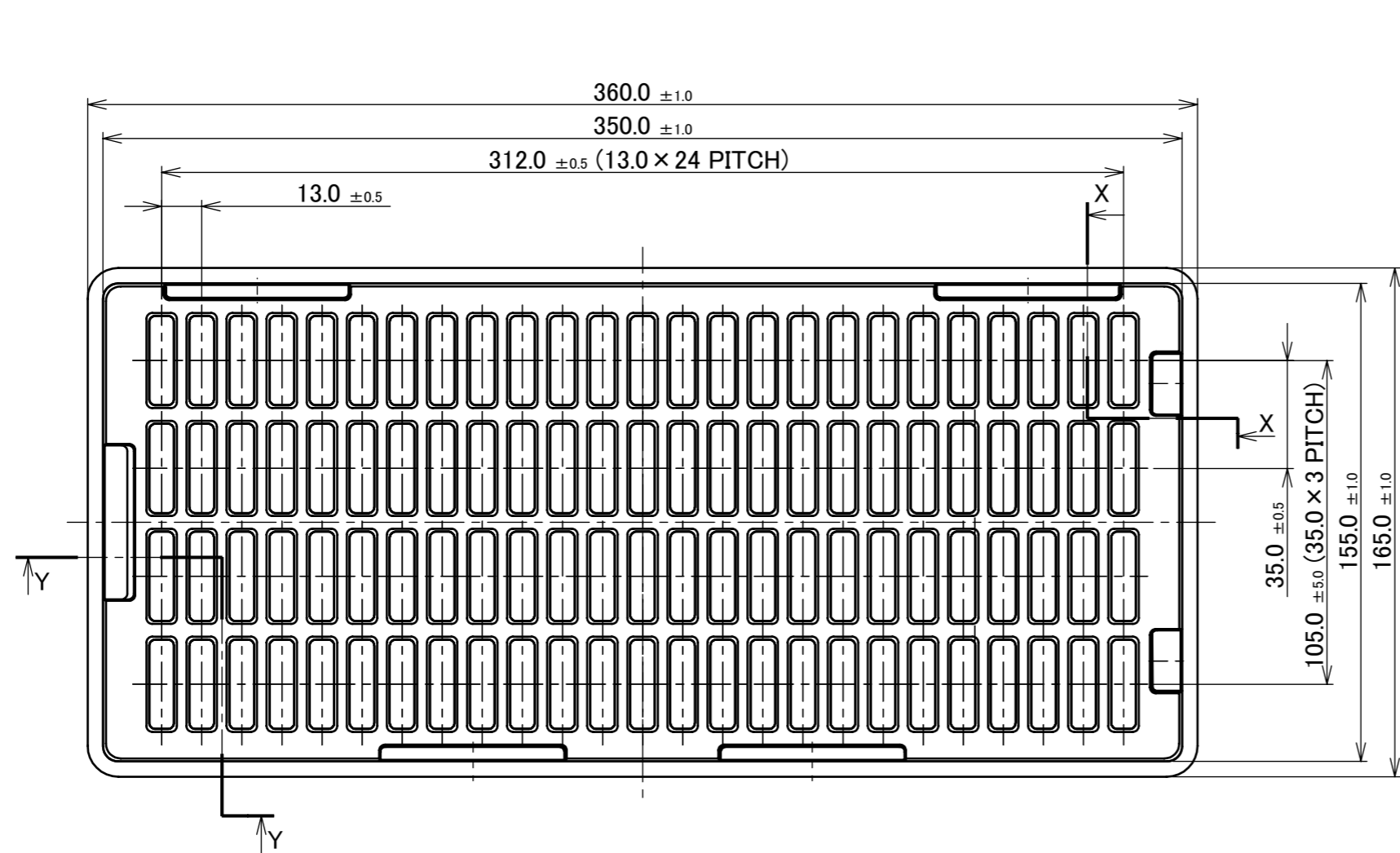
NOTES.

1. No.1,3,7,9: CONDUCTOR(GROUND) ARE CARRYING OUT THE ELECTRICAL CONNECTION.
2. No.5: SIGNAL Pos. AND No.1,3,7,9: CONDUCTOR(GROUND) ARE NOT CONTACTING.
3. No.5: GROUND Pos. AND No.1,3,7,9: CONDUCTOR(GROUND) ARE CARRYING OUT THE ELECTRICAL CONNECTION.
4. ADHESIVE SHOULD USE THERMOSETTING.
5. NUMBERS WITHIN PARENTHESES ARE ARBITRARY DIMENSIONS. CHANGE DIMENSIONS IN ACCORDANCE WITH CHARACTERISTIC IMPEDANCE VALUE.

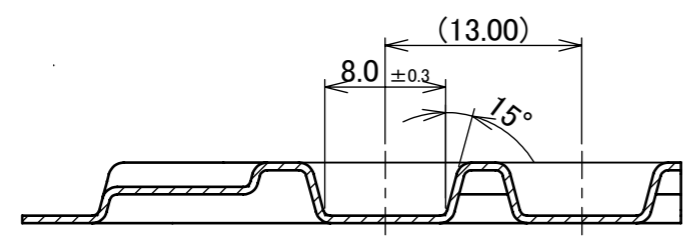
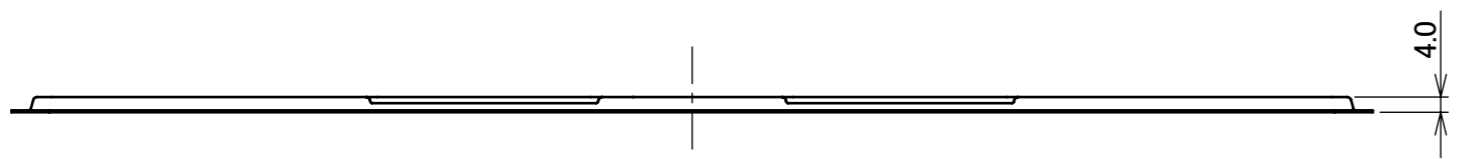
No.	DESCRIPTION	MATERIAL	PLATING
1	CONDUCTOR(GROUND)	Cu	Ni , Au
2	INSULATOR	-	-
3	CONDUCTOR(GROUND)	Cu	-
4	INSULATOR	-	-
5	CONDUCTOR(SIGNAL, GROUND)	Cu	Ni , Au
6	INSULATOR	-	-
7	CONDUCTOR(GROUND)	Cu	-
8	CONDUCTIVE ADHESIVE	-	-
9	REINFORCING TAPE & CONDUCTOR(GROUND)	SUS	Ni
10	INSULATOR	-	-

ANGLE	±2°	6 OVER 30 MAX.	±0.3	PROJECTION ⊕	SERIES No. R0	CUSTOMER COPY	
6 MAX.	±0.2	30 OVER 120 MAX.	±0.5				
GENERAL TOLERANCE.				TITLE CABLIN®-CA IIF SHELL ASS'Y	SCALE 5:1	UNIT mm	
DWG.	DATE						
CHK.	DATE						
APP.	DATE			DWG. No.	20856	SIZE A3	
						SHEET 5/6	REV. 8

PART NO.	QTY. IN DITCH (PIECES / DITCH)	QTY. IN TRAY (PIECES / TRAY)	QTY. PER SHIPPING CARTON (TRAYS / S CARTON)	QTY. PER PACKING CARTON (S CARTON / P CARTON)
20856-040T-01	1	100	20 / S CARTON = 2000	4 / P CARTON = 8000



SECT.X-X
(S=2/1)



SECT.Y-Y
(S=2/1)

NO.	TRAY	PP	ANTI-STATIC TYPE
DISCRIPTION	MATERIAL	FINISH , REMARKS	
1			

ANGLE	±2°	6 OVER 30 MAX.	±0.3	PROJECTION	SERIES No.	CUSTOMER COPY
6 MAX.	±0.2	30 OVER 120 MAX.	±0.5		R0	
GENERAL TOLERANCE.				TITLE	SCALE	I-PEX
DWG.	DATE	CABLIN [®] -CA IIF SHELL ASS'Y		1:2		
CHK.	DATE			UNIT		
APP.	DATE	DWG. No. 20856		mm		
				SIZE	A3	SHEET 6/6
						REV. 8