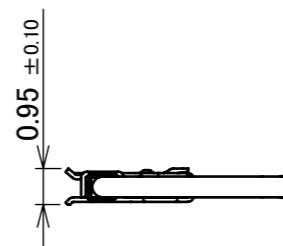
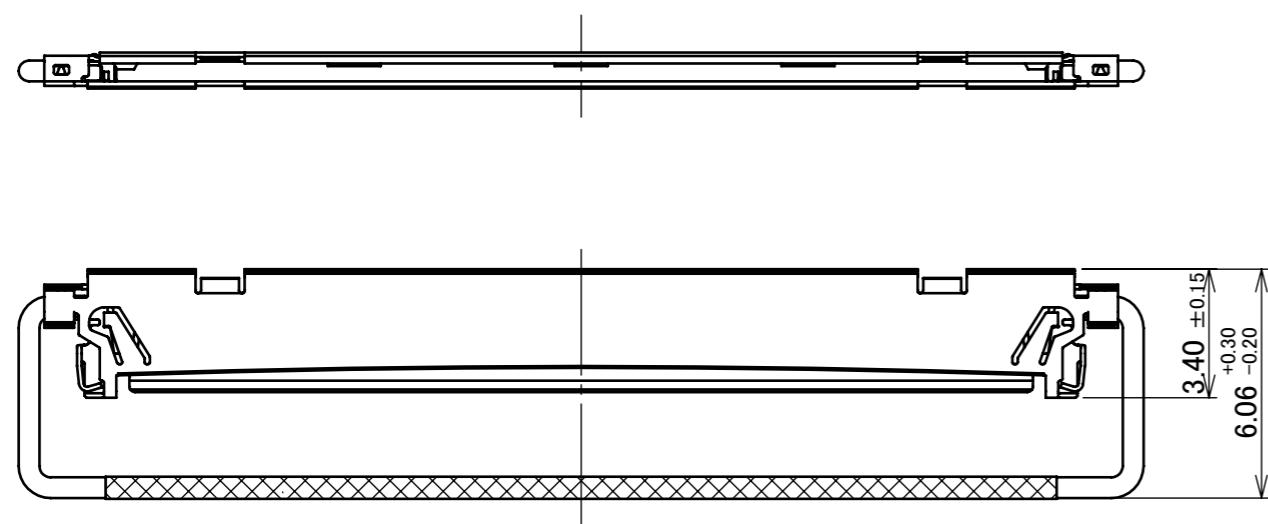
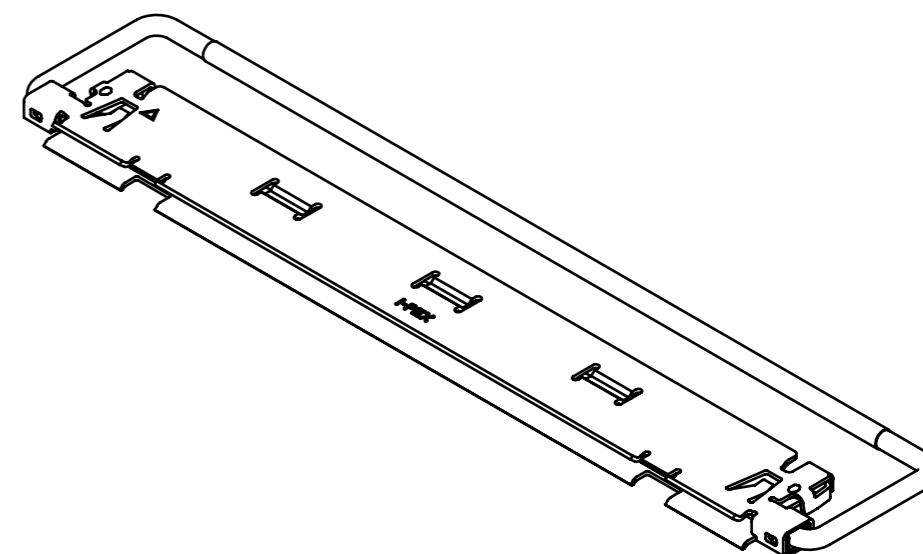
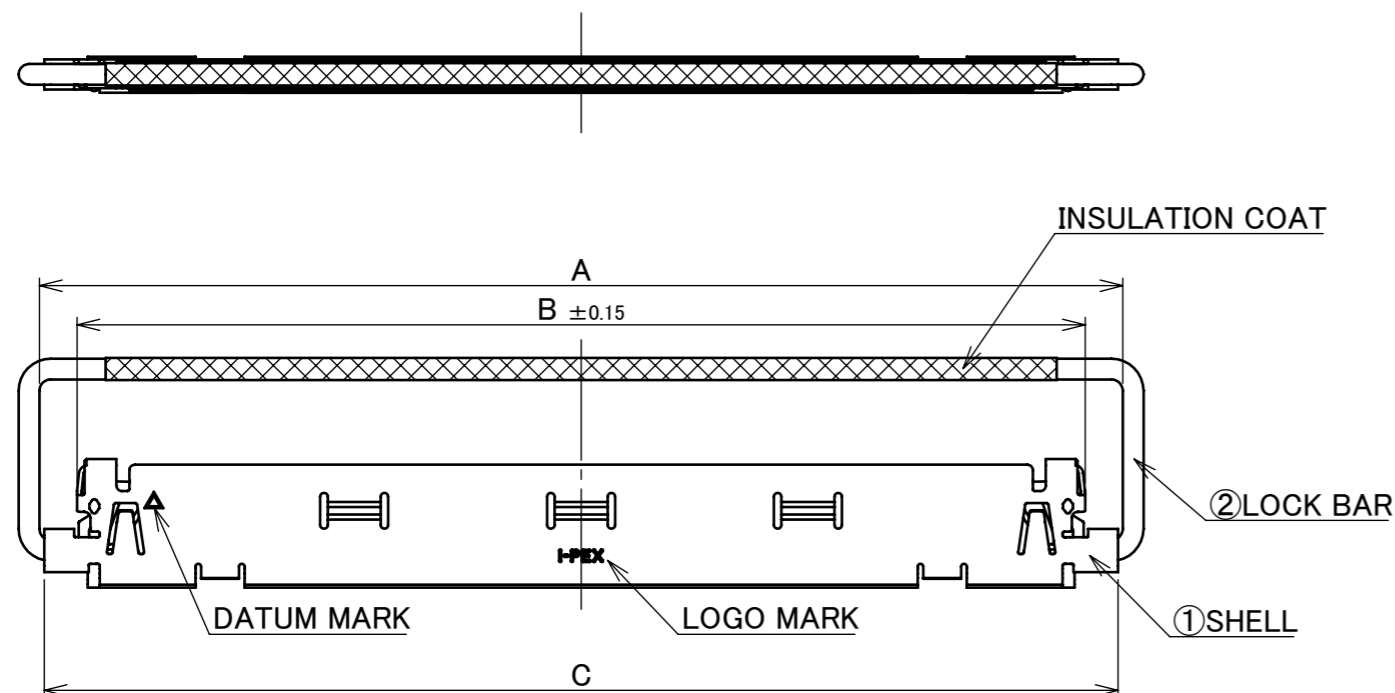


Recommended P/N 20858-0**T-01

PART NO.	Pos.	A	B	C
20858-040T-01	40	20.65	18.66	20.40
20858-060T-01	60	28.65	26.66	28.40

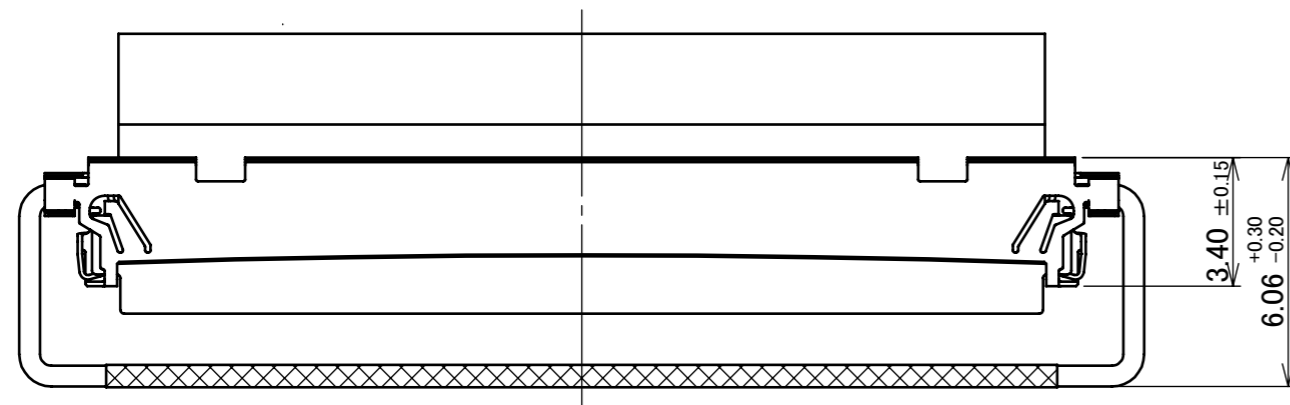
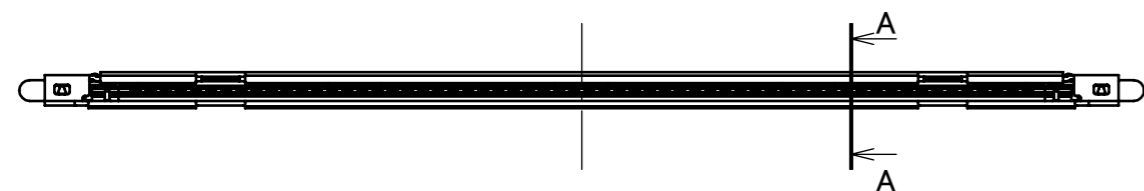
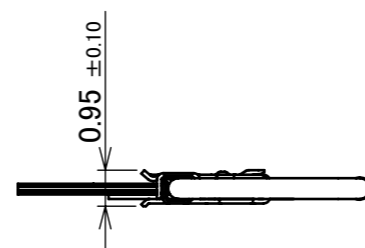
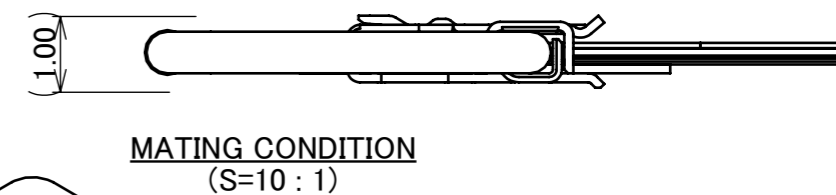
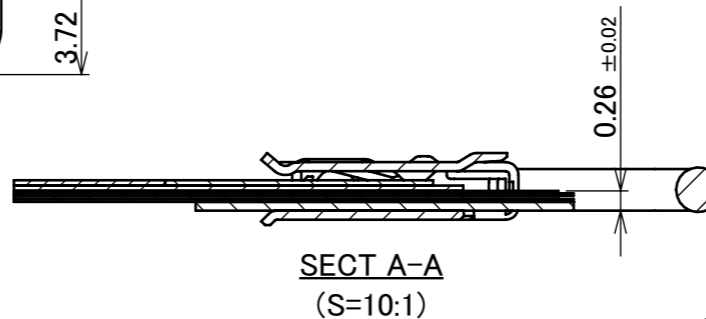
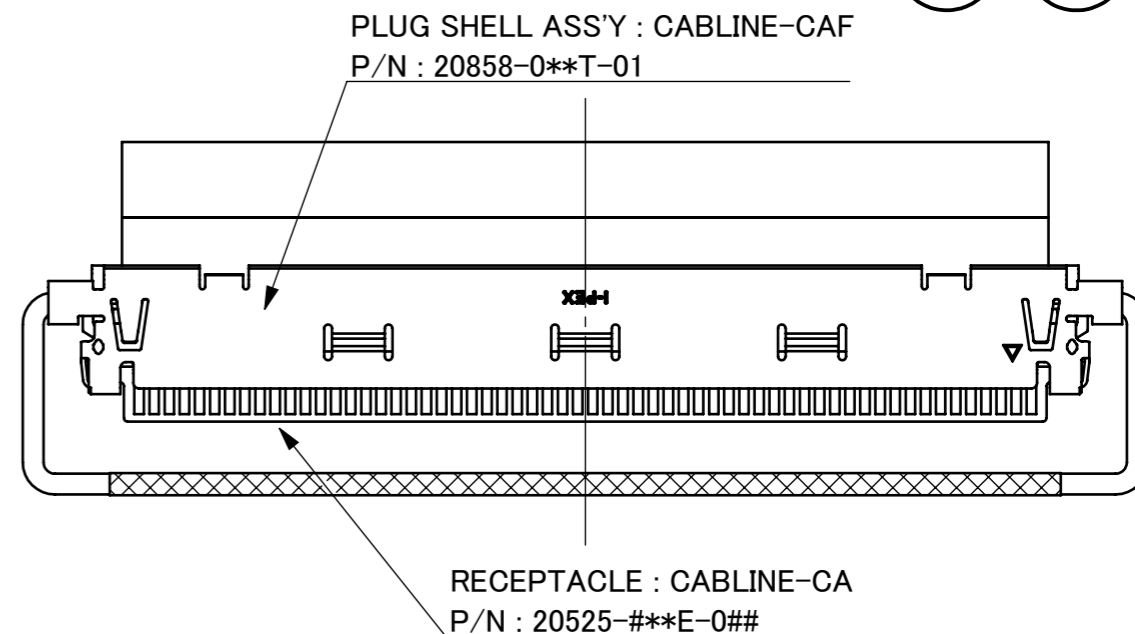
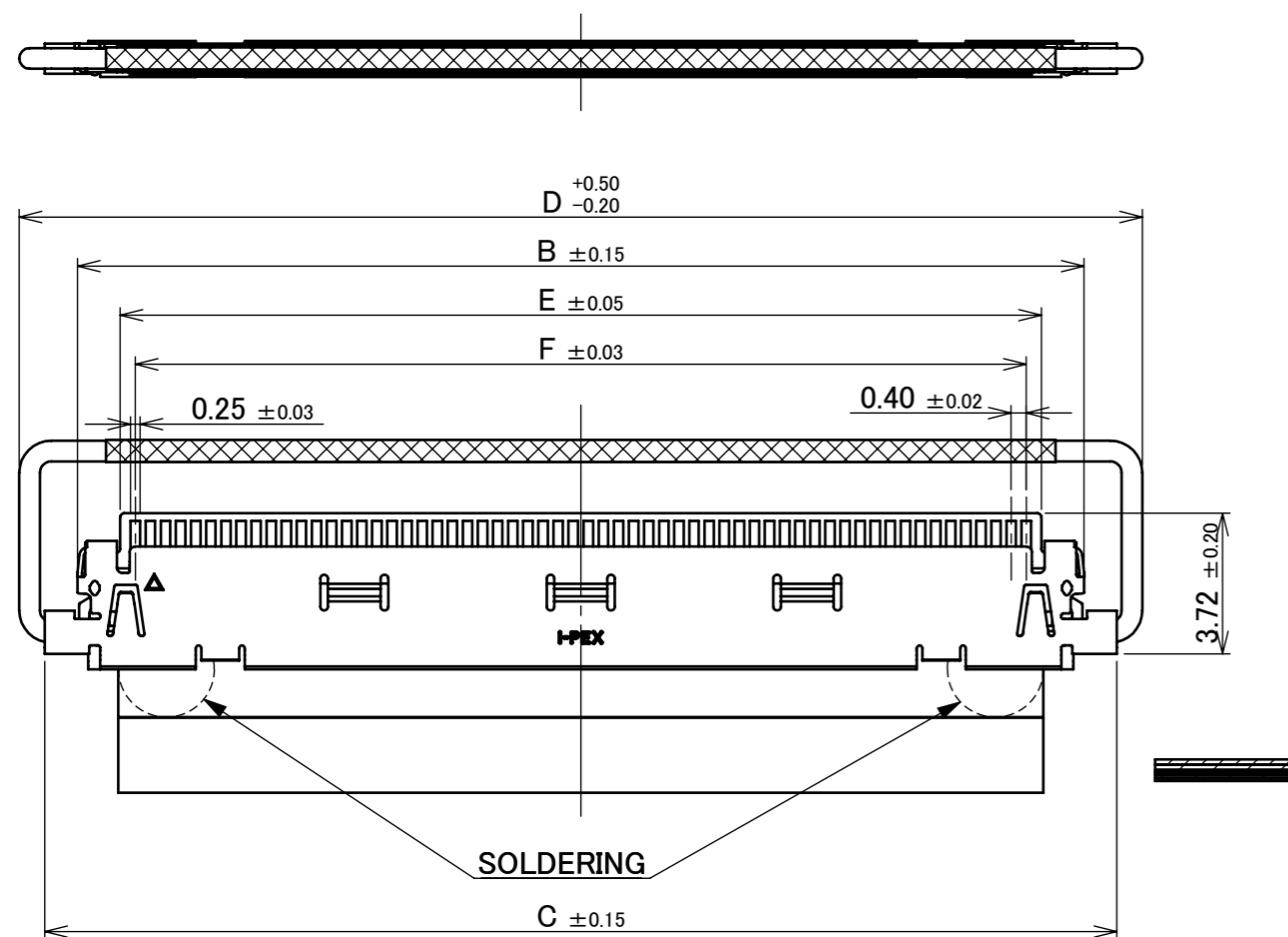


2	LOCK BAR	SUS	-
1	SHELL	PHOSPHOR BRONZE	PARTIAL Au 0.003 μm MIN. OVER Ni 1.00 μm MIN.
NO.	DISCRIPTION	MATERIAL	FINISH , REMARKS

					ANGLE	±2°	6 OVER 30 MAX.	±0.3	PROJECTION	SERIES No.	CUSTOMER COPY
					6 MAX.	±0.2	30 OVER 120 MAX.	±0.5		R1	
3	Z210921	M.M	Aug./30/'21	H.I	GENERAL TOLERANCE.				TITLE		SCALE
2	Z200573	R.F	June/04/'20	Y.S	DWG.	Y.Sasa	DATE	2018/12/25	CABLINER [®] -CAF SHELL ASS'Y		5:1
1	Z190260	Y.Sasa	Feb./22/'19	Y.S	CHK.	T.Masunaga					UNIT
0	Z181001	Y.Sasa	Dec./25/'18		APP.	H.Ikari					mm
REV.	ECN	BY	DATE	APP.	APP.	DWG. No.	20858	SIZE	SHEET	REV.	3
REVISION RECORD								A3	1/5		

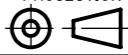

PART NO.	Pos.	B	C	D	E	F
20858-040T-01	40	18.66	20.40	21.75	16.40	15.60
20858-060T-01	60	26.66	28.40	29.75	24.40	23.60

FPC ASS'Y STATE

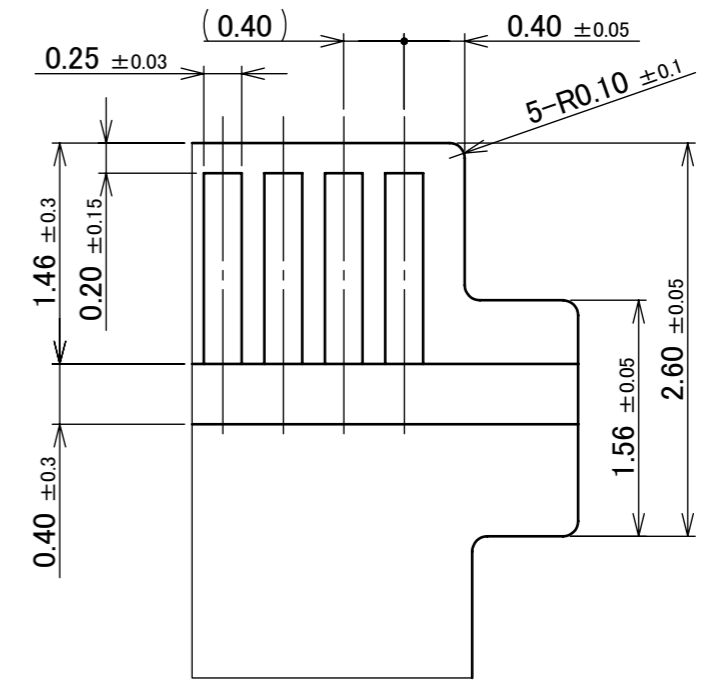
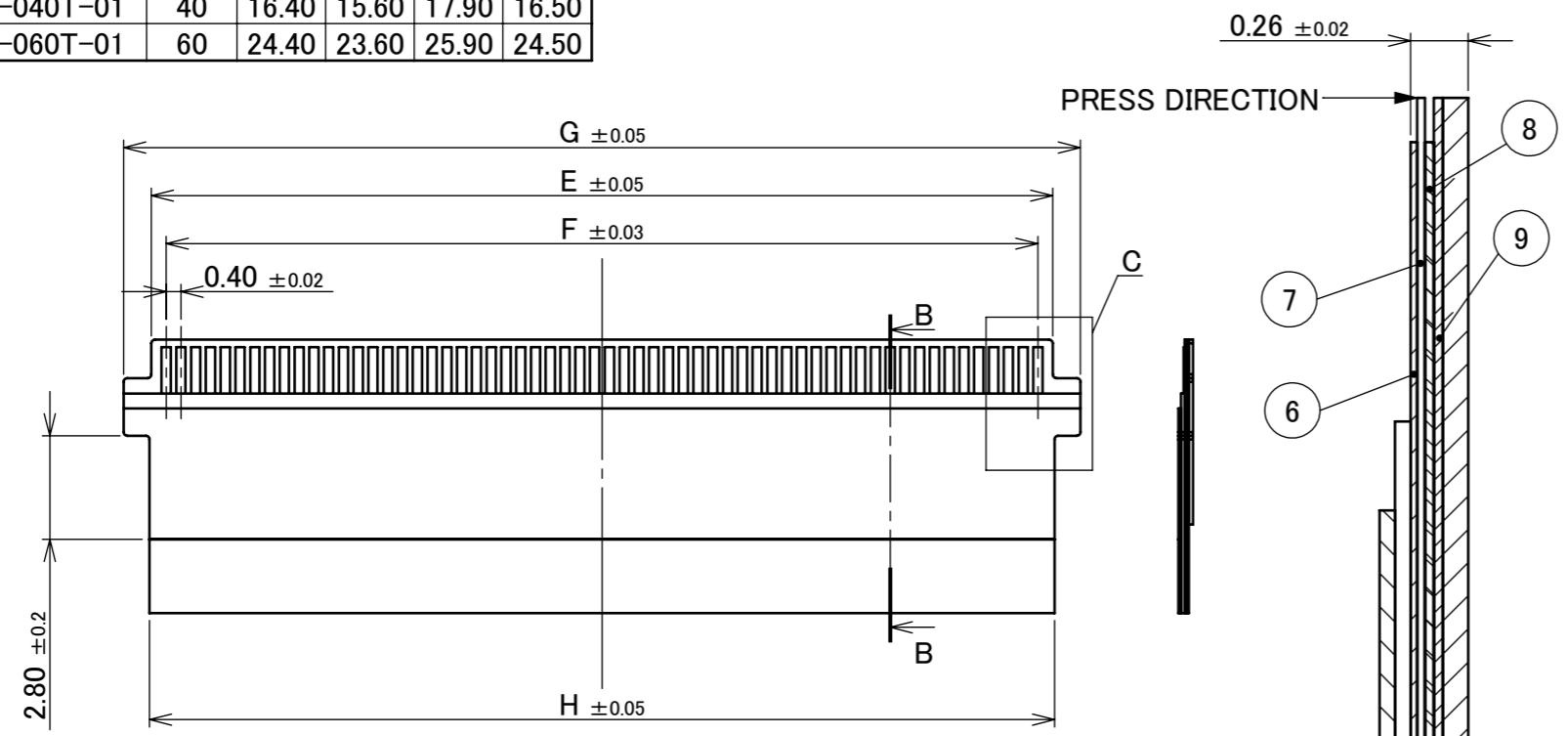


ANGLE	±2°	6 OVER 30 MAX.	±0.3	PROJECTION ⊕	SERIES No. R1	CUSTOMER COPY			
	6 MAX.	±0.2	30 OVER 120 MAX.						±0.5
GENERAL TOLERANCE.				TITLE CABLINA® -CAF SHELL ASS'Y		SCALE 5:1	I-PEX		
DWG.	DATE			DWG. No. 20858		UNIT mm			
CHK.									
APP.									

ITEMS	SPECIFICATION
RATING VOLTAGE	100V AC (PER CONTACT)
RATING AMPERAGE (FOR SIGNAL CONTACT)	0.3A AC/DC (PER CONTACT)
OPERATING TEMPERATURE	233~358K(-40°C~+85°C)
OPERATING HUMIDITY	85% MAX.(NON-CONDENSING)
CONTACT RESISTANCE (FOR SIGNAL CONTACT)	INITIAL : 60mohm MAX. / AFTER TEST : \triangleleft 40mohm MAX.
GROUND SHELL RESISTANCE	INITIAL : 60mohm MAX. / AFTER TEST : \triangleleft 40mohm MAX.
INSULATION RESISTANCE	INITIAL : 1000Mohm MIN. / AFTER TEST : 500Mohm MIN.
DIELECTRIC WITHSTANDING VOLTAGE	AC250V 1min
DURABILITY	30 CYCLES
MATING FORCE (INITIAL / AFTER TEST)	40P : 11.07N MAX. 60P : 16.61N MAX.
UNMATING FORCE (INITIAL / AFTER TEST)	40P : 1.44N MIN. 60P : 2.16N MIN.
PRODUCT SPECIFICATION	PRS-2465
TEST REPORT	TR-18016
PACKING STANDARD	PST-17138
INSTRUCTION MANUAL	HIM-18016
ASSEMBLY MANUAL	ASM-18005
APPEARANCE CRITERIA No.	QLS-A***

ANGLE	$\pm 2^\circ$	6 OVER 30 MAX.	± 0.3	PROJECTION 	SERIES No. R1	CUSTOMER COPY		
6 MAX.	± 0.2	30 OVER 120 MAX.	± 0.5					
GENERAL TOLERANCE.				TITLE CABLIN [®] -CAF SHELL ASS'Y	SCALE 	I-PEX		
DWG.	DATE							
CHK.								
APP.								
				DWG. No.	20858	SIZE A3	SHEET 3/5	REV. 3

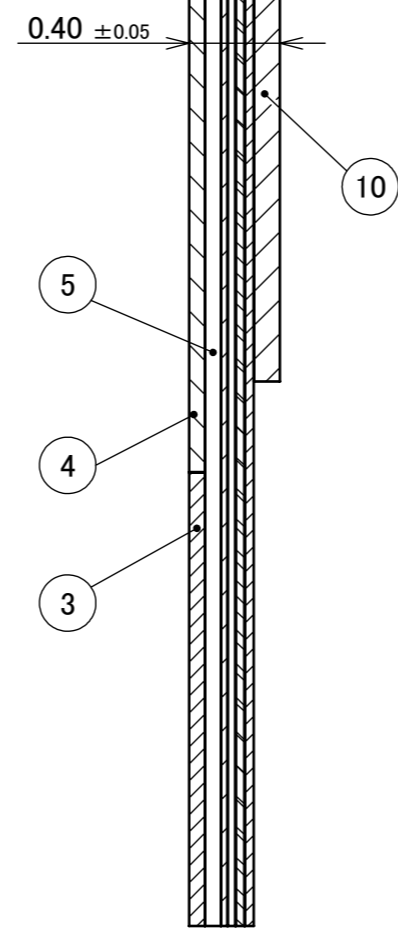
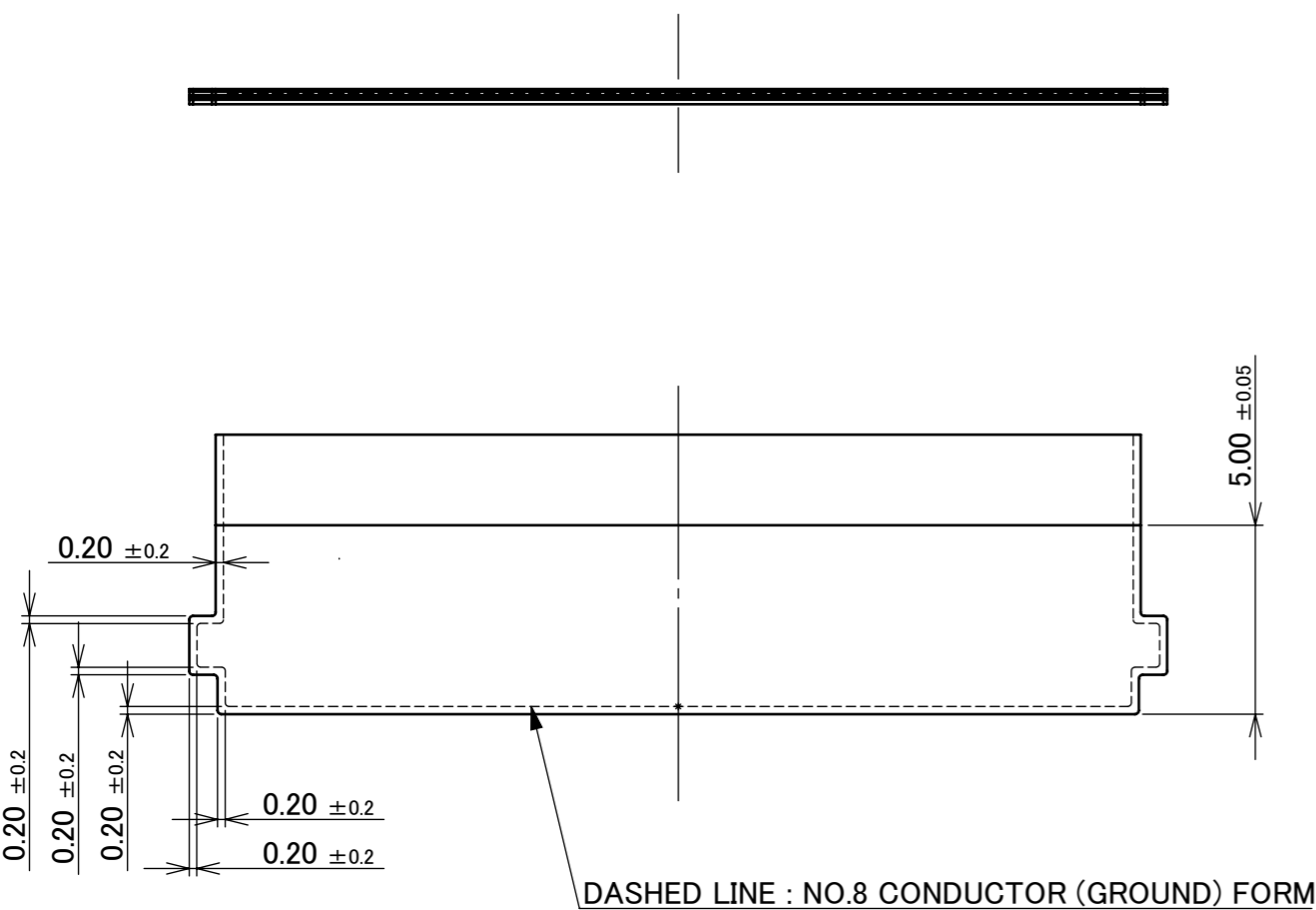
PART NO.	Pos.	E	F	G	H
20858-040T-01	40	16.40	15.60	17.90	16.50
20858-060T-01	60	24.40	23.60	25.90	24.50



DETAIL C
(S=20:1)

NOTES.

- ADHESIVE SHOULD USE THERMOSETTING.
- NO.3 : SHIELD FILM AND NO.4, NO.8 : CONDUCTOR (GROUND) ARE CARRYING OUT THE ELECTRICAL CONNECTION.
- NO.4 : CONDUCTOR (GROUND) AND NO.8 : CONDUCTOR (GROUND) ARE CARRYING OUT THE ELECTRICAL CONNECTION.
- NO.3 : SHIELD FILM AND NO.6 : CONDUCTOR (SIGNAL) ARE NOT CONTACTING.
- NO.4, NO.8 : CONDUCTOR (GROUND) AND NO.6 : CONDUCTOR (SIGNAL) ARE NOT CONTACTING.

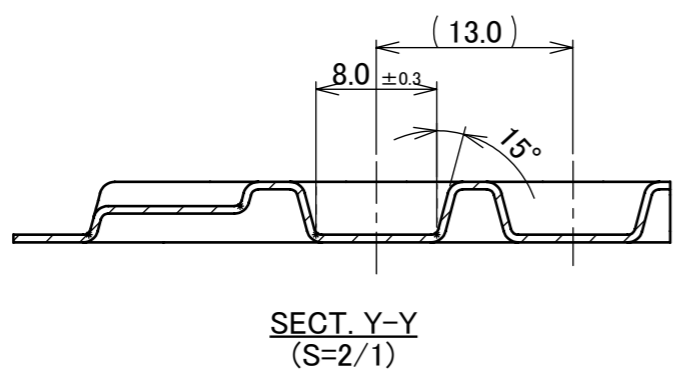
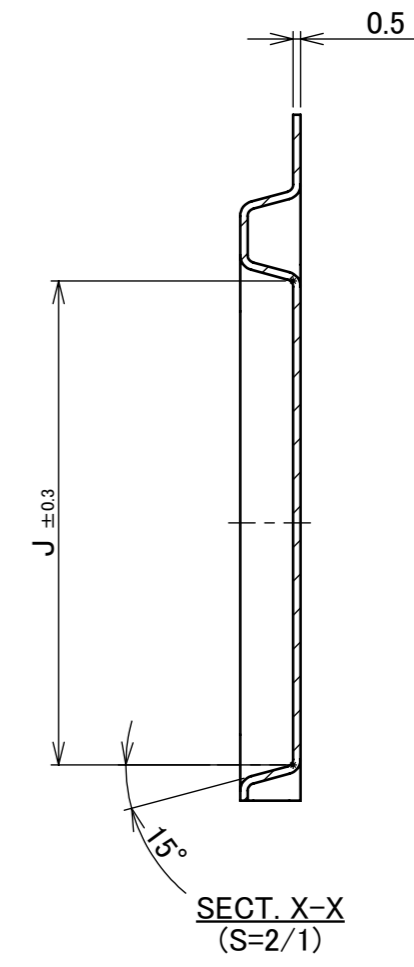
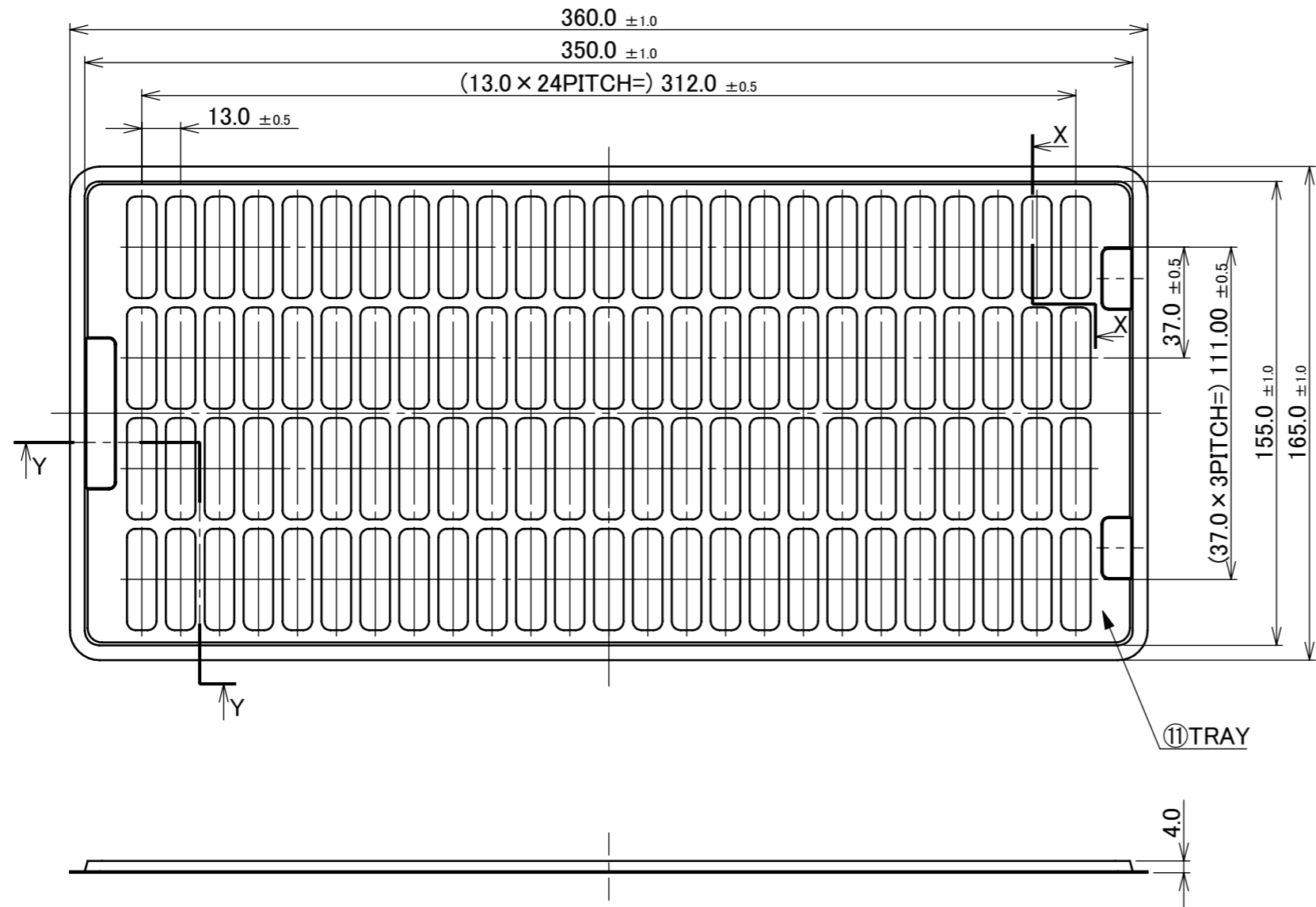


SECT B-B
(S=30:1)

No.	DESCRIPTION	MATERIAL	PLATING
3	SHIELD FILM	-	-
4	CONDUCTOR (GROUND)	Cu	Ni, Au
5	INSULATOR	-	-
6	CONDUCTOR (SIGNAL)	Cu	Ni, Au
7	INSULATOR	-	-
8	CONDUCTOR (GROUND)	Cu	Ni
9	INSULATOR	-	-
10	REINFORCING TAPE	-	-

ANGLE	±2°	6 OVER 30 MAX.	±0.3	PROJECTION ⊕	SERIES No. R1	CUSTOMER COPY
	6 MAX.	±0.2	30 OVER 120 MAX.			
GENERAL TOLERANCE.				TITLE CABLIN [®] -CAF SHELL ASS'Y	SCALE 5:1	UNIT mm
DWG.	DATE					
CHK.						
APP.						
DWG. No. 20858				SIZE A3	SHEET 4/5	REV. 3

PART NO.	J	QTY. IN DITCH (PIECES / DITCH)	QTY. IN TRAY (PIECES / TRAY)	QTY. PER SHIPPING CARTON (TRAYS / S CARTON)	QTY. PER PACKING CARTON (S CARTON / P CARTON)
20858-040T-01	29.00	1	100	20 / S CARTON =2000	4 / P CARTON = 8000
20858-060T-01	32.00	1	100	20 / S CARTON =2000	4 / P CARTON = 8000



11	TRAY	PP	ANTI-STATIC TYPE
NO.	DISCRIPTION	MATERIAL	FINISH , REMARKS
ANGLE	±2°	6 OVER 30 MAX.	±0.3
6 MAX.	±0.2	30 OVER 120 MAX.	±0.5
GENERAL TOLERANCE.		PROJECTION	SERIES No.
DWG.	DATE		R1
CHK.		TITLE	
APP.		CABLIN® -CAF SHELL ASS'Y	
		DWG. No.	20858
SCALE	UNIT		CUSTOMER COPY
1:2	mm		
SIZE	SHEET	REV.	
A3	5/5	3	