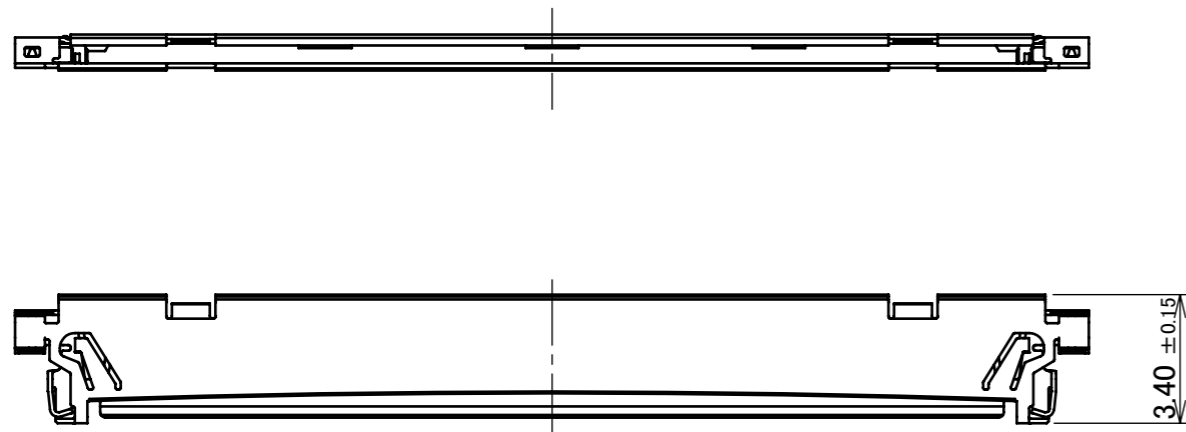
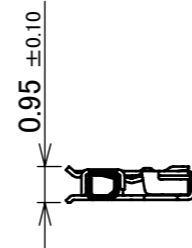
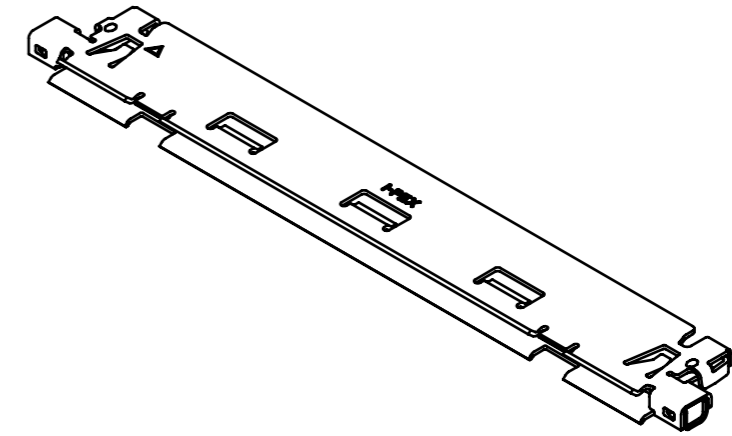
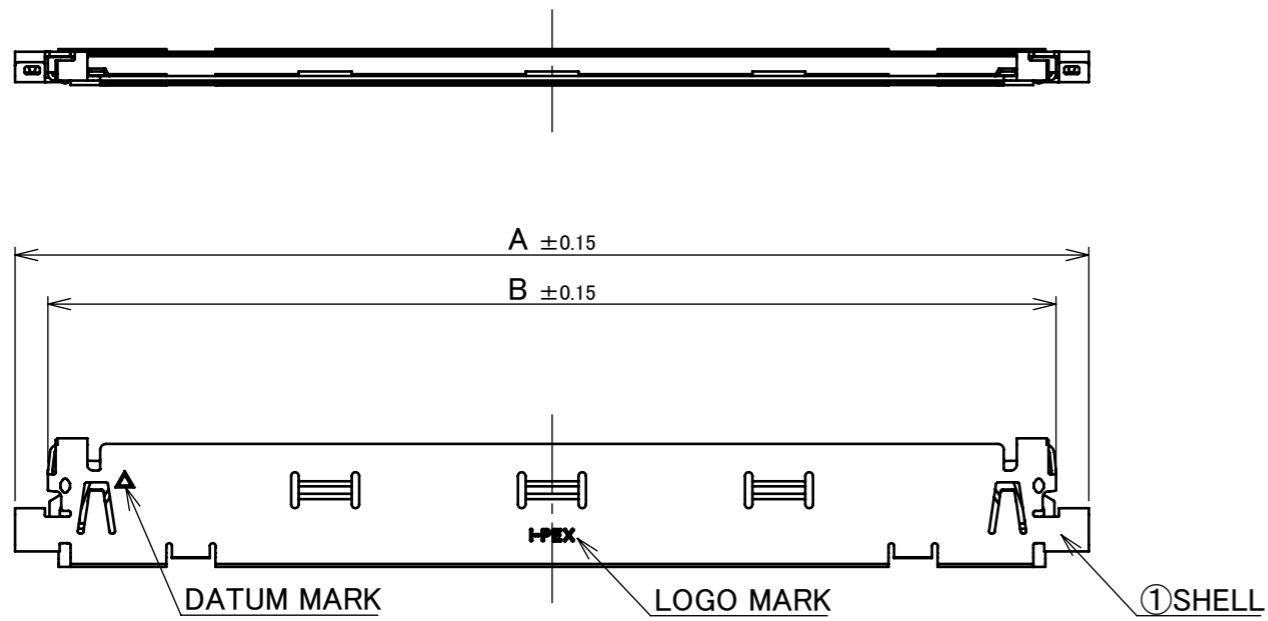


Recommended P/N 3437-0\*\*1

PART NO.	A	B
3437-0401	20.40	18.66
3437-0601	28.40	26.66

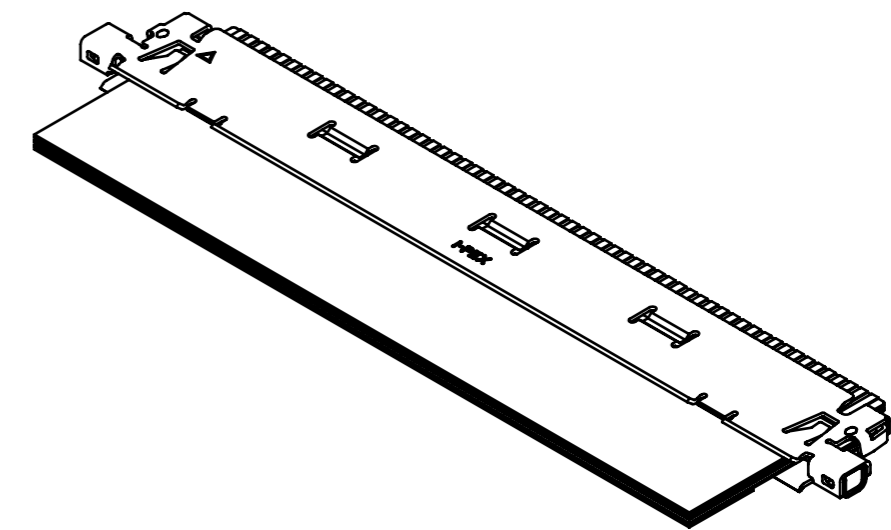
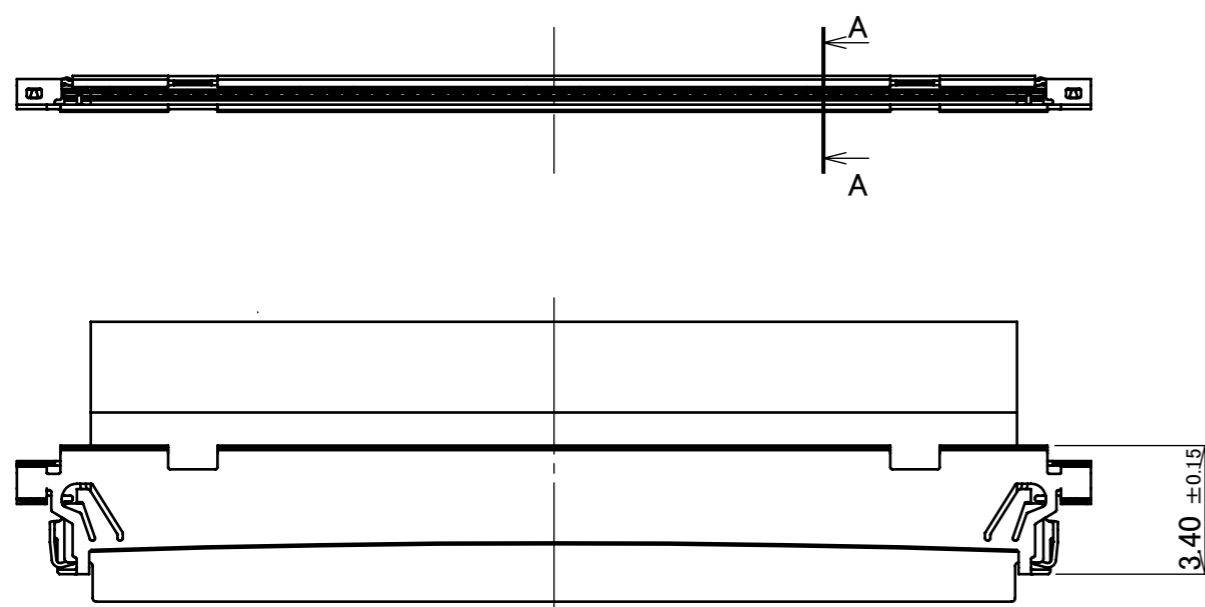
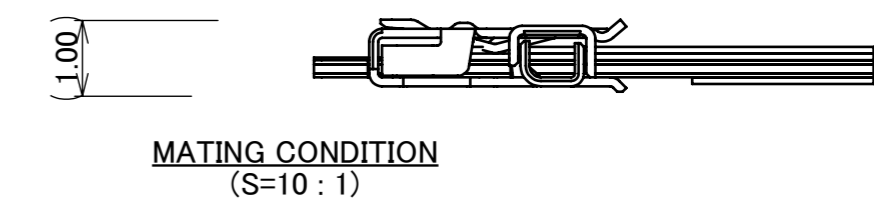
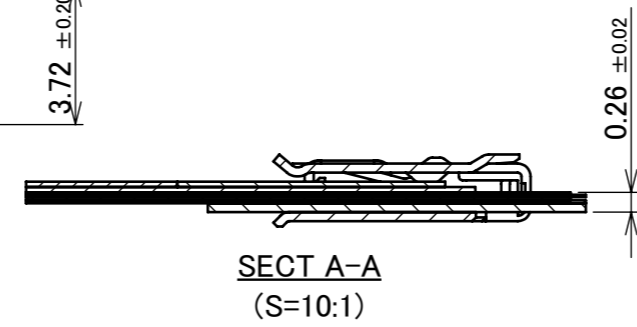
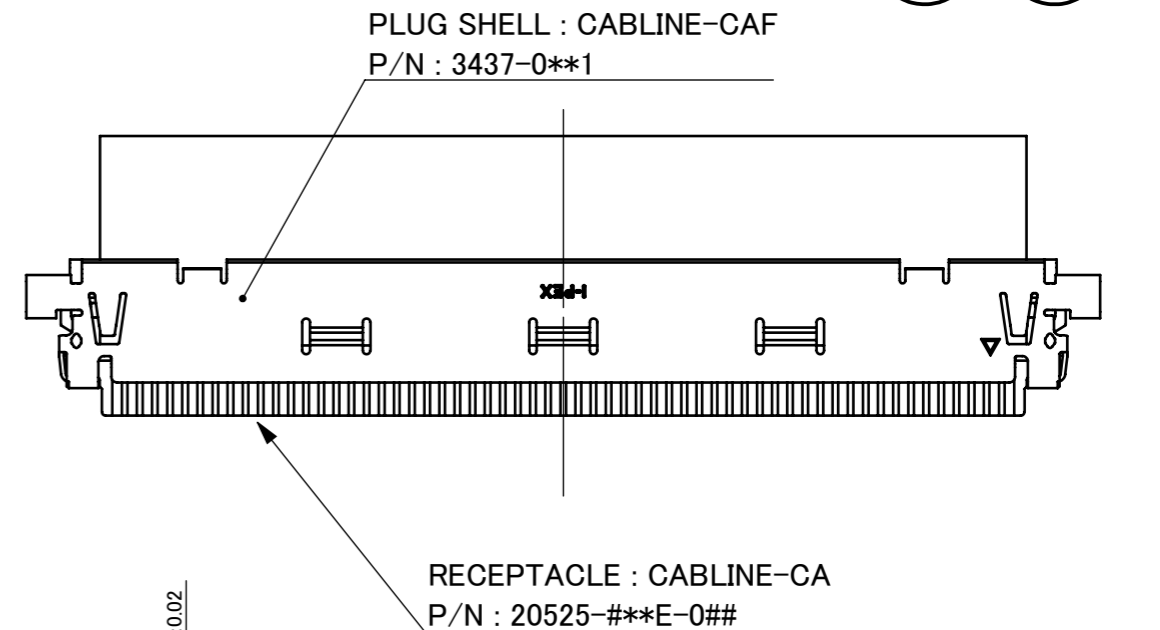
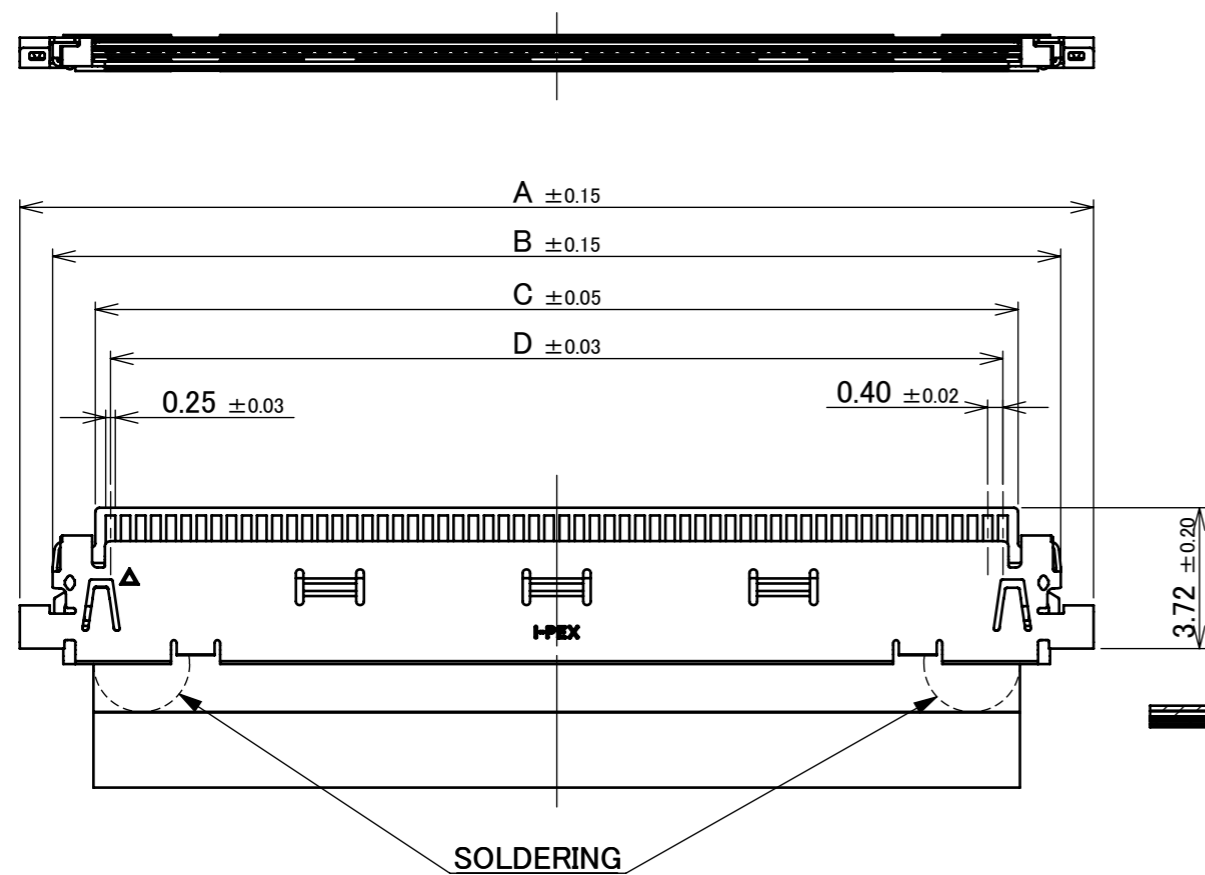


1	SHELL	PHOSPHOR BRONZE	PARTIAL Au 0.003 $\mu$ m MIN. OVER Ni 1.00 $\mu$ m MIN.
NO.	DISCRIPTION	MATERIAL	FINISH , REMARKS

					ANGLE	$\pm 2^\circ$	6 OVER 30 MAX.	$\pm 0.3$	PROJECTION	SERIES No.	CUSTOMER COPY		
					6 MAX.	$\pm 0.2$	30 OVER 120 MAX.	$\pm 0.5$		R1			
					GENERAL TOLERANCE.				TITLE		SCALE		
					DWG.	Y.Sasa	DATE	2019/03/28	CABLINER <sup>®</sup> -CAF SHELL		5:1		
					CHK.	T.Masunaga					UNIT		
					APP.	Y.Shimada					mm		
REV.	ECN	BY	DATE	APP.	REVISION RECORD				DWG. No.	3437	SIZE	SHEET	REV.
											A3	1/5	2

PART NO.	A	B	C	D
3437-0401	20.40	18.66	16.40	15.60
3437-0601	28.40	26.66	24.40	23.60

# FPC ASS'Y STATE

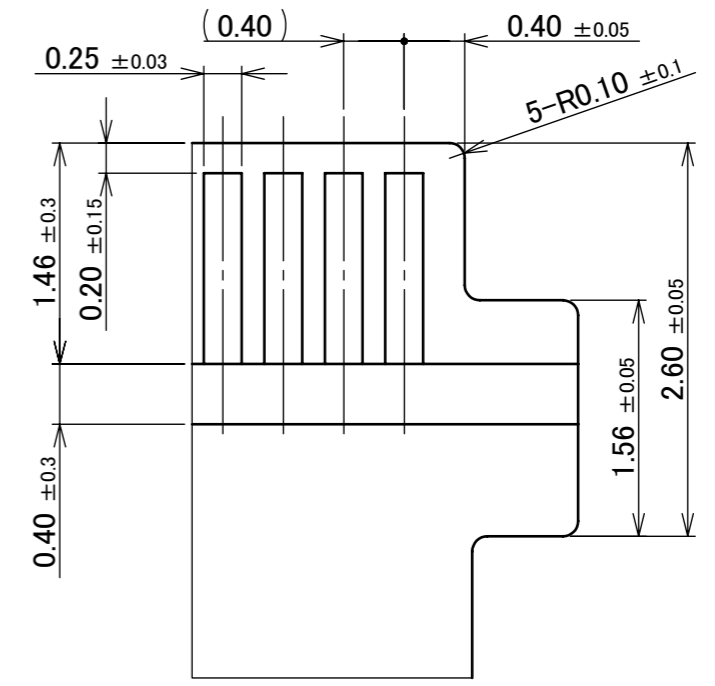
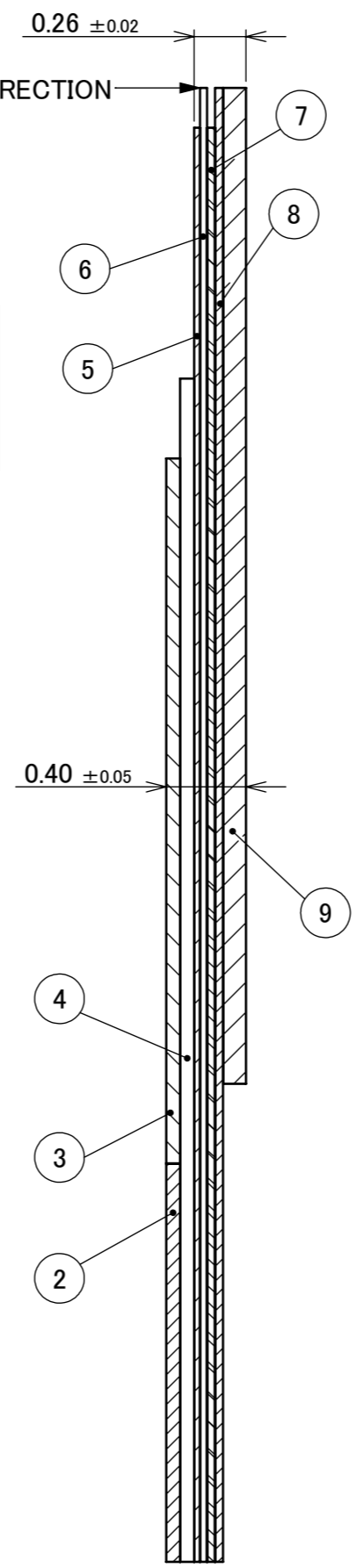
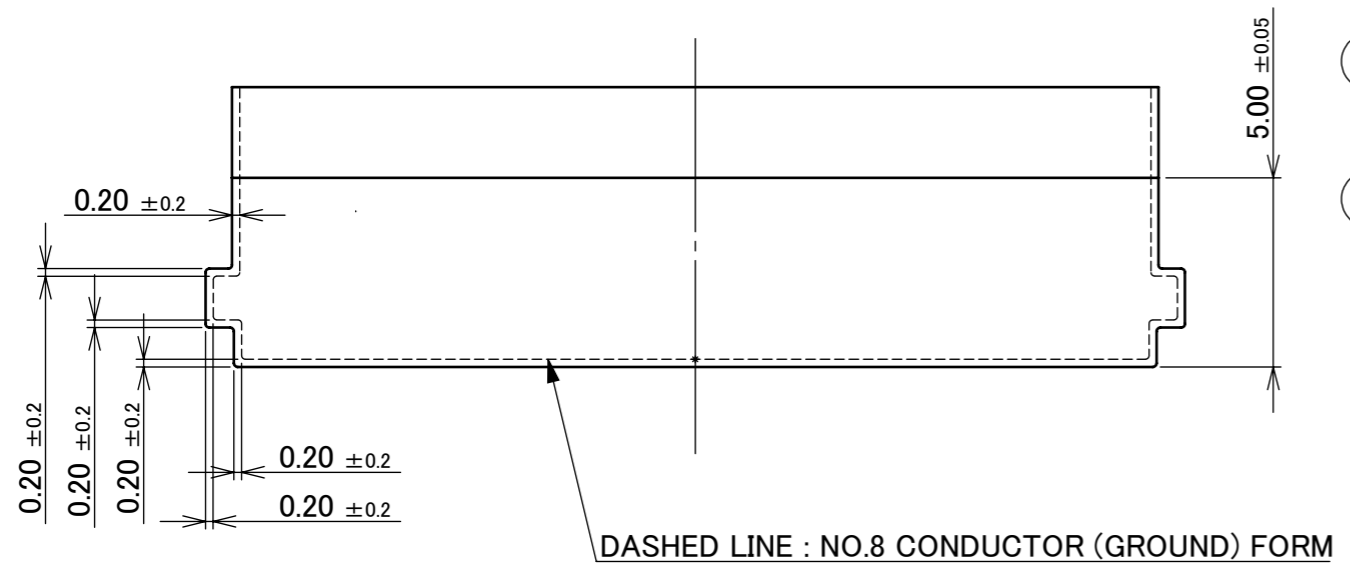
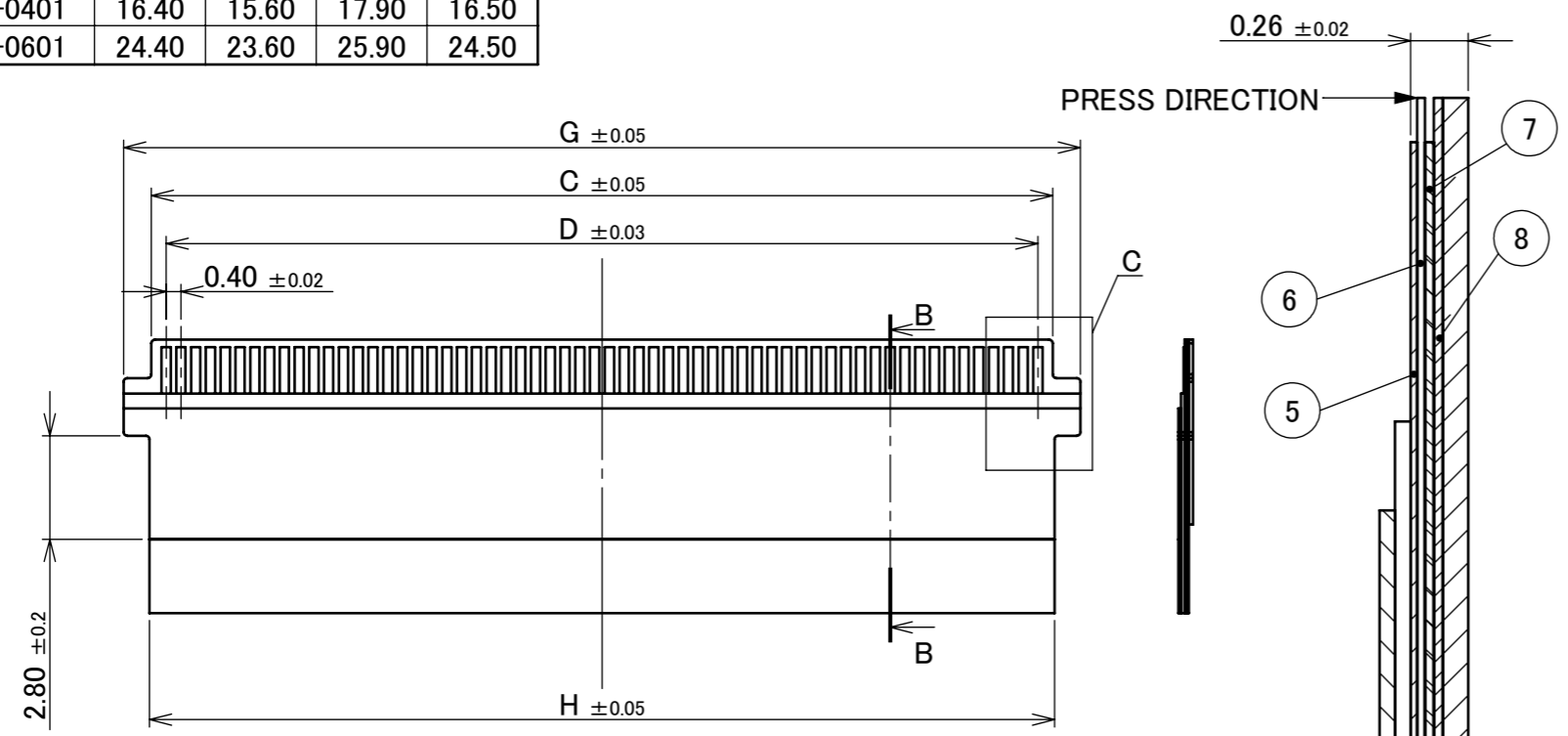


ANGLE	±2°	6 OVER 30 MAX.	±0.3	PROJECTION ⊕	SERIES No. R1	CUSTOMER COPY					
	6 MAX.	±0.2	30 OVER 120 MAX.						±0.5		
GENERAL TOLERANCE.				TITLE CABLINE® -CAF SHELL		SCALE 5:1	<b>I-PEX</b>				
DWG.	DATE			DWG. No. 3437		UNIT mm					
CHK.						SIZE A3				SHEET 2/5	REV. 2
APP.											

ITEMS	SPECIFICATION
RATING VOLTAGE	100V AC (PER CONTACT)
RATING AMPERAGE (FOR SIGNAL CONTACT)	0.3A AC/DC (PER CONTACT)
OPERATING TEMPERATURE	233~358K(-40°C~+85°C)
OPERATING HUMIDITY	85% MAX.(NON-CONDENSING)
CONTACT RESISTANCE (FOR SIGNAL CONTACT)	INITIAL : 60mohm MAX. / AFTER TEST : $\triangleleft$ 40mohm MAX.
GROUND SHELL RESISTANCE	INITIAL : 60mohm MAX. / AFTER TEST : $\triangleleft$ 40mohm MAX.
INSULATION RESISTANCE	INITIAL : 1000Mohm MIN. / AFTER TEST : 500Mohm MIN.
DIELECTRIC WITHSTANDING VOLTAGE	AC250V 1min
DURABILITY	30 CYCLES
MATING FORCE (INITIAL / AFTER TEST)	40P : 11.07N MAX. 60P : 16.61N MAX.
UNMATING FORCE (INITIAL / AFTER TEST)	40P : 1.44N MIN. 60P : 2.16N MIN.
PRODUCT SPECIFICATION	PRS-2465
TEST REPORT	TR-18016
PACKING STANDARD	PST-19023
INSTRUCTION MANUAL	HIM-18016
ASSEMBLY MANUAL	ASM-18005
APPEARANCE CRITERIA No.	QLS-A***

ANGLE	$\pm 2^\circ$	6 OVER 30 MAX.	$\pm 0.3$	PROJECTION 	SERIES No. R1	CUSTOMER COPY	
6 MAX.	$\pm 0.2$	30 OVER 120 MAX.	$\pm 0.5$				
GENERAL TOLERANCE.				TITLE CABLINER <sup>®</sup> -CAF SHELL	SCALE	<b>I-PEX</b>	
DWG.	DATE						
CHK.							
APP.							
DWG. No.	3437			SIZE	SHEET	REV.	
				A3	3/5	2	

PART NO.	C	D	G	H
3437-0401	16.40	15.60	17.90	16.50
3437-0601	24.40	23.60	25.90	24.50



DETAIL C  
(S=20:1)

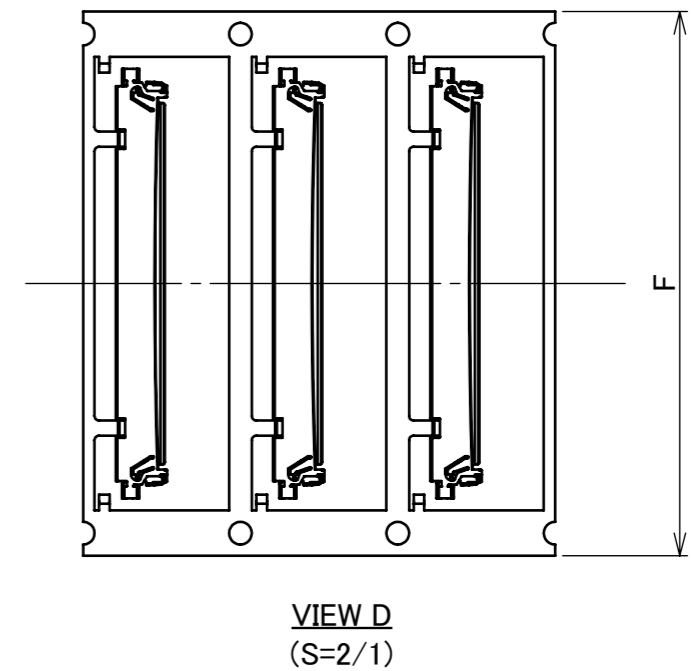
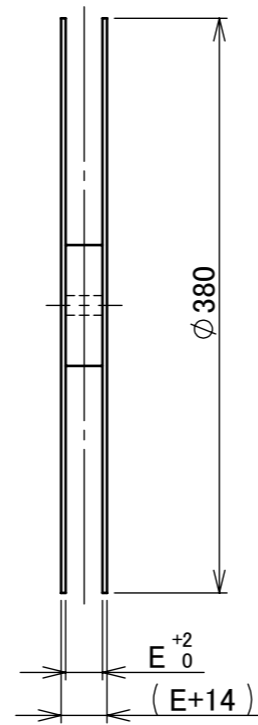
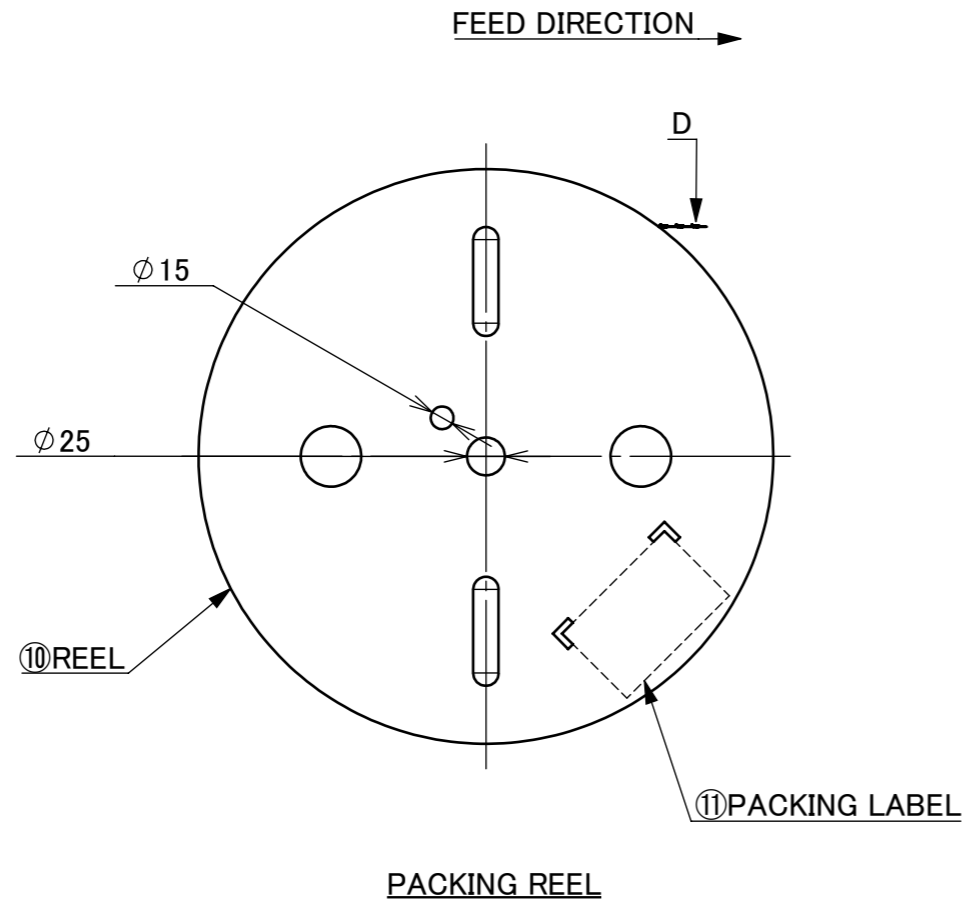
NOTES.

- ADHESIVE SHOULD USE THERMOSETTING.
- NO.2 : SHIELD FILM AND NO.3, NO.7 : CONDUCTOR (GROUND) ARE CARRYING OUT THE ELECTRICAL CONNECTION.
- NO.3 : CONDUCTOR (GROUND) AND NO.7 : CONDUCTOR (GROUND) ARE CARRYING OUT THE ELECTRICAL CONNECTION.
- NO.2 : SHIELD FILM AND NO.5 : CONDUCTOR (SIGNAL) ARE NOT CONTACTING.
- NO.3, NO.7 : CONDUCTOR (GROUND) AND NO.5 : CONDUCTOR (SIGNAL) ARE NOT CONTACTING.

No.	DESCRIPTION	MATERIAL	PLATING
2	SHIELD FILM	-	-
3	CONDUCTOR (GROUND)	Cu	Ni, Au
4	INSULATOR	-	-
5	CONDUCTOR (SIGNAL)	Cu	Ni, Au
6	INSULATOR	-	-
7	CONDUCTOR (GROUND)	Cu	Ni
8	INSULATOR	-	-
9	REINFORCING TAPE	-	-

ANGLE	±2°	6 OVER 30 MAX.	±0.3	PROJECTION ⊕	SERIES No. R1	CUSTOMER COPY		
	6 MAX.	±0.2	30 OVER 120 MAX.				±0.5	
GENERAL TOLERANCE.				TITLE CABLINEX® -CAF SHELL	SCALE 5:1	UNIT mm		
DWG.	DATE							
CHK.								
APP.								
				DWG. No.	3437	SIZE A3	SHEET 4/5	REV. 2

PART NO.	E	F	QTY. PER REEL (PIECES / REEL)	QTY. PER PACKING CARTON (REELS / P CARTON)
3437-0401	40	36.0	5000 PIECES / REEL	3 REELS/ P CARTON = 15000
3437-0601	40	36.0	5000 PIECES / REEL	3 REELS/ P CARTON = 15000



10	REEL	CARDBOARD	-
11	PACKING LABEL	-	-
NO.	DISCRIPTION	MATERIAL	FINISH , REMARKS

ANGLE	±2°	6 OVER 30 MAX.	±0.3	PROJECTION ⊕	SERIES No. R1	CUSTOMER COPY		
6 MAX.	±0.2	30 OVER 120 MAX.	±0.5					
GENERAL TOLERANCE.				TITLE CABLINÉ® -CAF SHELL	SCALE 1:5	UNIT <b>I-PEX</b>		
DWG.	DATE							
CHK.								
APP.								
				DWG. No.	3437	SIZE A3	SHEET 5/5	REV. 2