

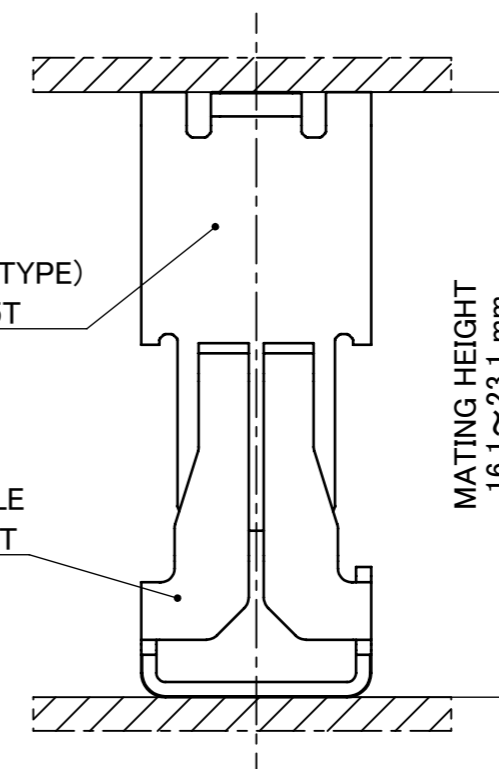
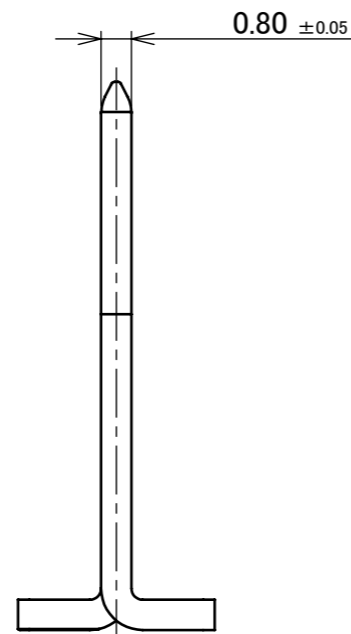
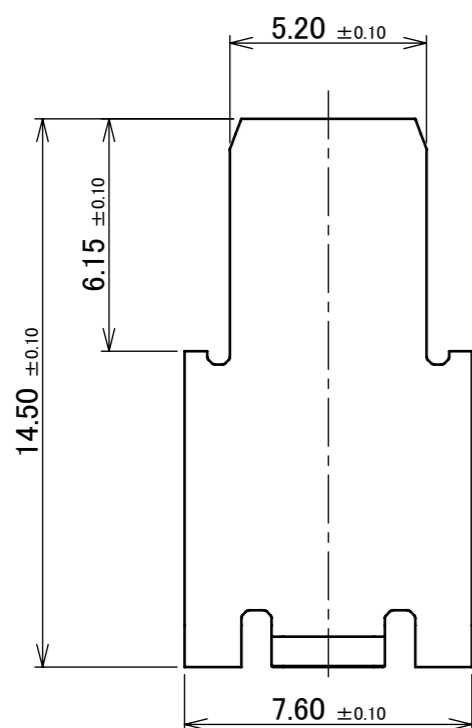
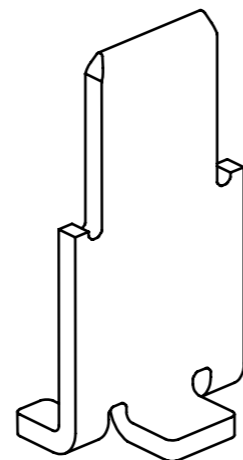
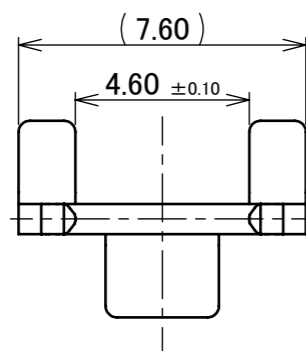


Halogen Free



RoHS Compliant

IATF 16949 Cetified [Planned]



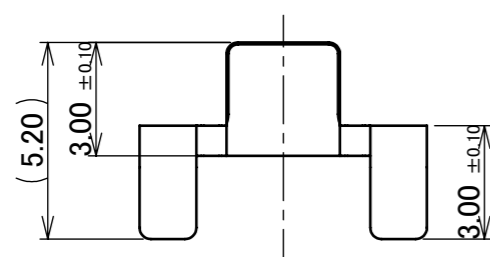
AP-10 PLUG
(HEIGHT CHANGE TYPE)
P/N: 3539-0001-45T

AP-10 RECEPTACLE
P/N: 3532-0001-00T

MATING CONDITION

NOTES.

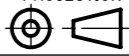
1. APPLICABLE CONNECTOR
AP-10 RECEPTACLE (P/N: 3532-0001-00T)



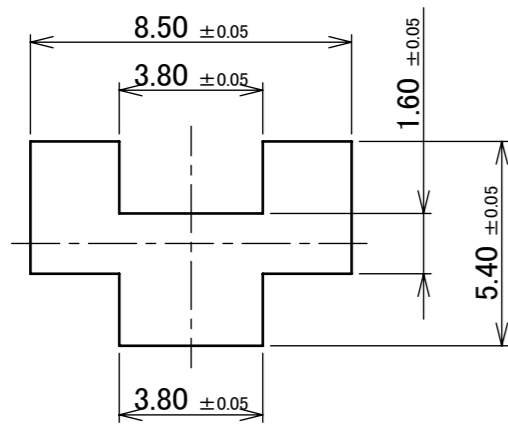
1	PLUG	BRASS	Sn 1.00~4.50 μm OVER Ni 1.00~4.50 μm
NO.	DESCRIPTION	MATERIAL	REMARKS, FINISH

					ANGLE	±2°	6 OVER 30 MAX.	±0.3	PROJECTION	SERIES No.	CUSTOMER COPY		
						6 MAX.	±0.2	30 OVER 120 MAX.	±0.5	R2			
					GENERAL TOLERANCE.				TITLE	SCALE	I-PEX		
					DWG.	K.Tanaka		DATE	2022/03/14				
					CHK.	-				UNIT			
					APP.	Y.Hashimoto				mm			
REV.	ECN	BY	DATE	APP.	REVISION RECORD				DWG. No.	3539	SIZE	SHEET	REV.
											A3	1/4	1

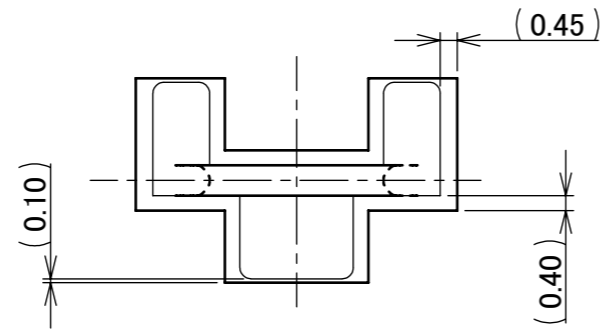
ITEMS	SPECIFICATION
APPLICABLE CONNECTOR PART No.	3532-0001-00T
RATING AMPERAGE	16A DC
TEMPERATURE RISE	△15.0°C MAX
COMPONENT TEMPERATURE (ENERGIZATION)	233~378K(-40°C~105°C)
OPERATING HUMIDITY	85% MAX.(NON-CONDENSING)
CONTACT RESISTANCE	INITIAL : 1.0 mohm MAX. / AFTER TEST : 1.0 mohm MAX.
DURABILITY	3 CYCLES
MATING FORCE	15.0 N MAX.
COPLANARITY	0.10mm MAX.
PRODUCT SPECIFICATION	PRS-2616
TEST REPORT	TR-19063
PACKING STANDARD	PST-22010
APPEARANCE CRITERIA No.	QLS-A***

ANGLE	±2°	6 OVER 30 MAX.	±0.3	PROJECTION 	SERIES No. R2	CUSTOMER COPY		
6 MAX.	±0.2	30 OVER 120 MAX.	±0.5					
GENERAL TOLERANCE.				TITLE AP-10 PLUG (HEIGHT CHANGE TYPE)	SCALE 5:1 UNIT mm	I-PEX		
DWG.	DATE							
CHK.								
APP.								
				DWG. No.	3539	SIZE A3	SHEET 2/4	REV. 1

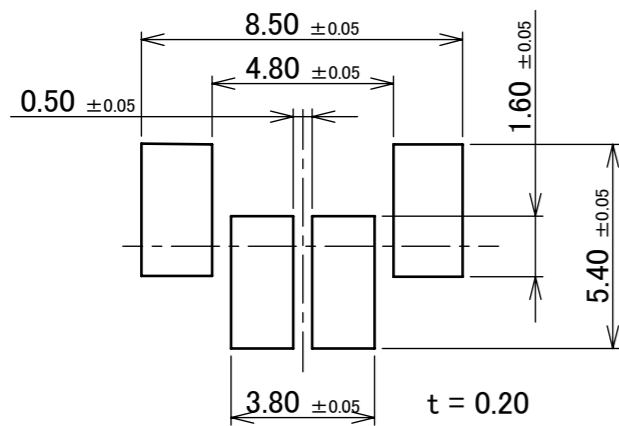
PART NO.
3539-0001-45T



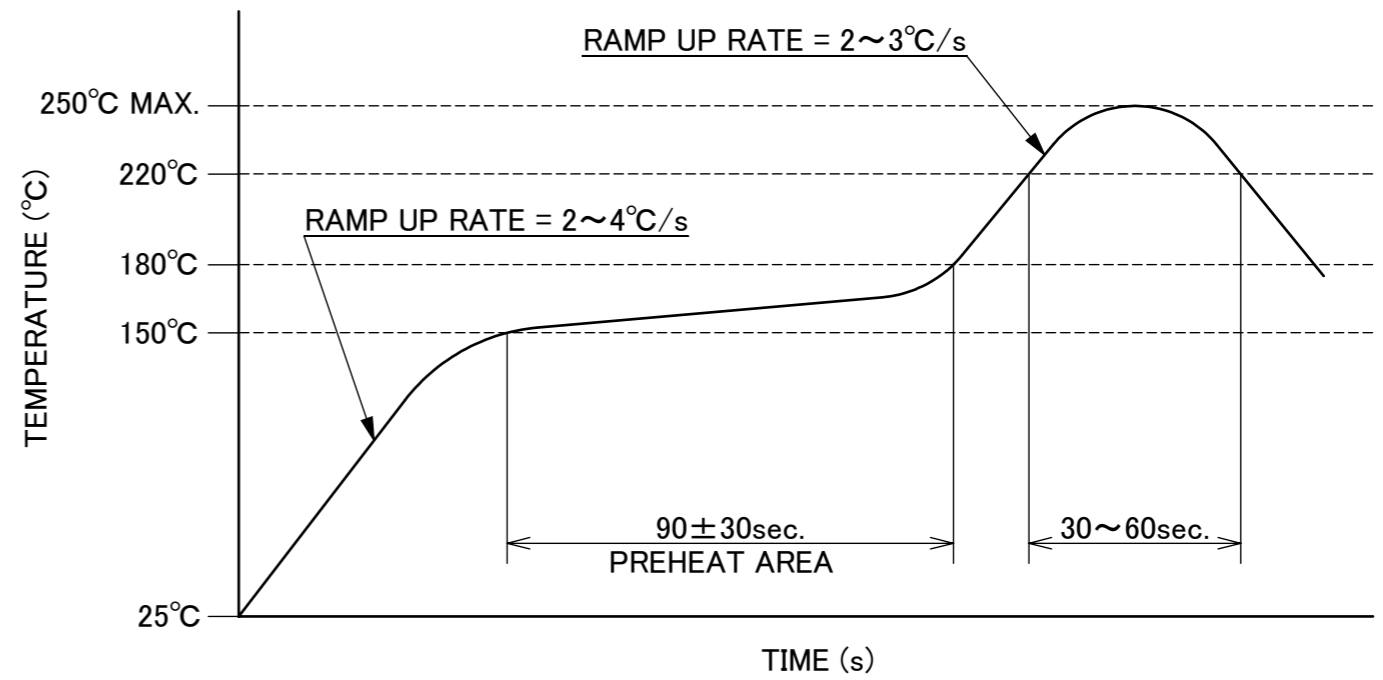
RECOMMENDED PATTERN LAYOUT



CONNECTOR ON RECOMMENDED PATTERN



RECOMMENDED METAL MASK LAYOUT

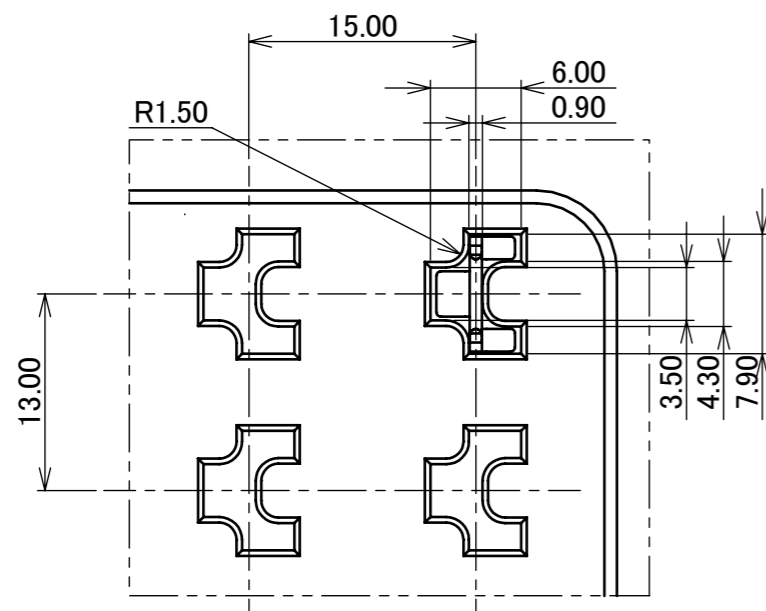
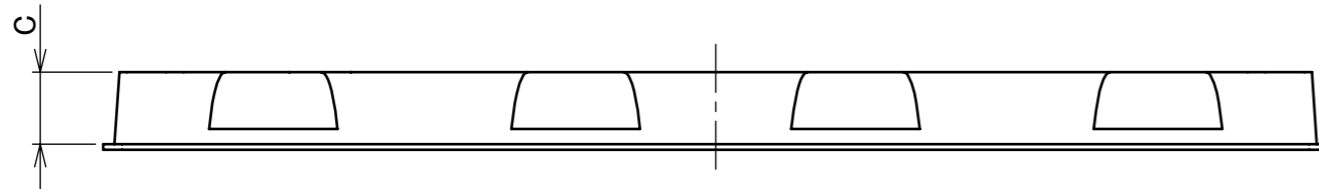
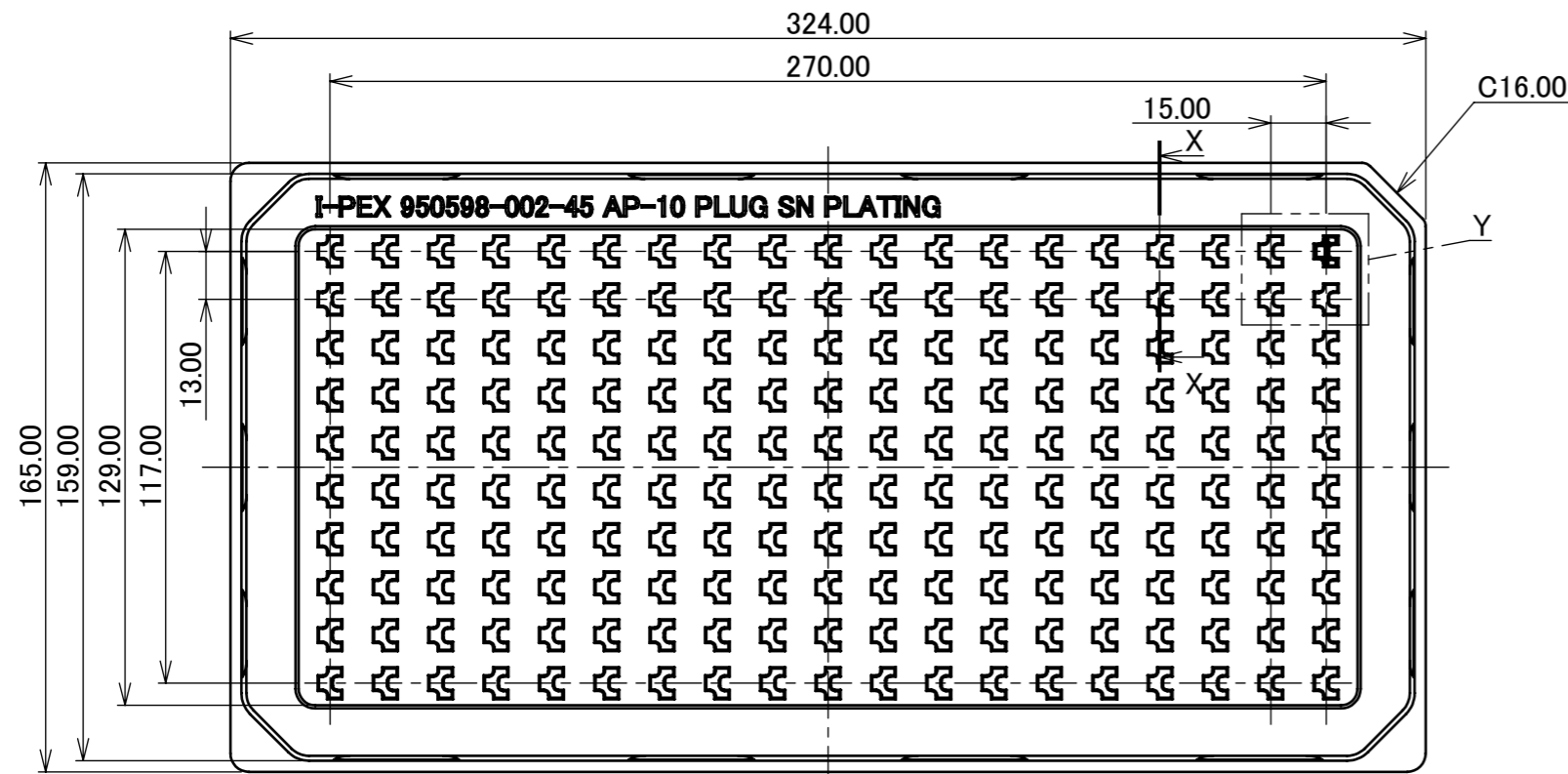


REFLOW TEMPERATURE PROFILE
SENJU METAL INDUSTRY CO., LTD. : M705-SHF(Sn96.5 Ag3.0 Cu0.5)

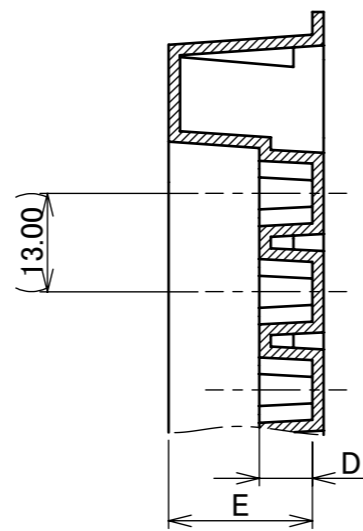
ANGLE	±2°	6 OVER 30 MAX.	±0.3	PROJECTION ⊕	SERIES No. R2	CUSTOMER COPY			
6 MAX.	±0.2	30 OVER 120 MAX.	±0.5						
GENERAL TOLERANCE.				TITLE		SCALE	I-PEX		
DWG.	DATE			AP-10 PLUG (HEIGHT CHANGE TYPE)		5:1			
CHK.						UNIT			
APP.				DWG. No.		mm			
				3539		SIZE	SHEET	REV.	
						A3	3/4	1	

PART NO.	C	D	E	QTY. PER TRAY (PIECES / TRAY)	QTY. PER PACKING CARTON (TRAYS / CARTON)
3539-0001-45T	19.0	7.0	19.0	190 PIECES / TRAY	4 TRAYS / CARTON = 760 PIECES

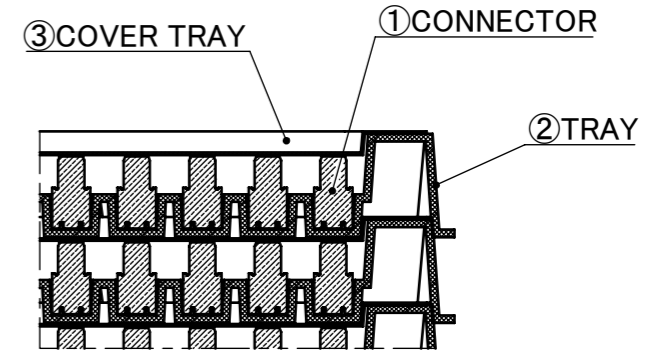
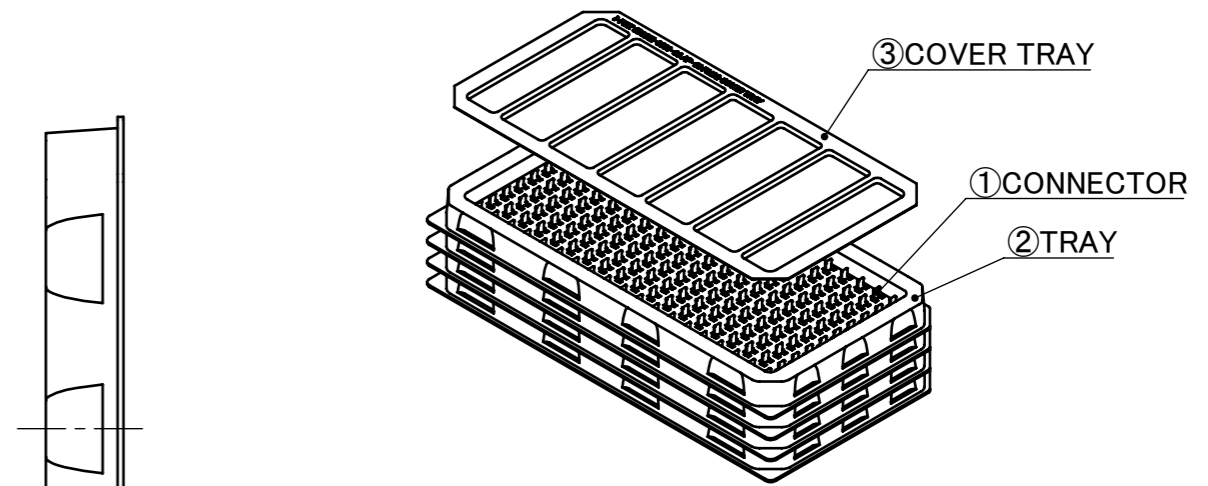
IATF 16949 Cetified [Planned]



DETAIL Y
S = 2 / 1



SECT. X-X
S = 1 / 1



PILED TRAY CONDITION

NOTES.

2. TRAY MATERIAL SURFACE RESISTIVITY UNDER $10^{10} \Omega / \text{sq} .$

NO.	DESCRIPTION	MATERIAL	REMARKS
3	COVER TRAY	PS t=0.50mm	WHITE
2	TRAY	PS t=1.50mm	WHITE
1	CONNECTOR	BRASS	-

ANGLE	$\pm 2^\circ$	6 OVER 30 MAX.	± 0.3	PROJECTION 	SERIES No. R2	CUSTOMER COPY		
6 MAX.	± 0.2	30 OVER 120 MAX.	± 0.5					
GENERAL TOLERANCE.				TITLE AP-10 PLUG (HEIGHT CHANGE TYPE)	SCALE 1:2	UNIT mm I-PEX		
DWG.	DATE							
CHK.								
APP.								
DWG. No. 3539				SIZE A3	SHEET 4/4	REV. 1		