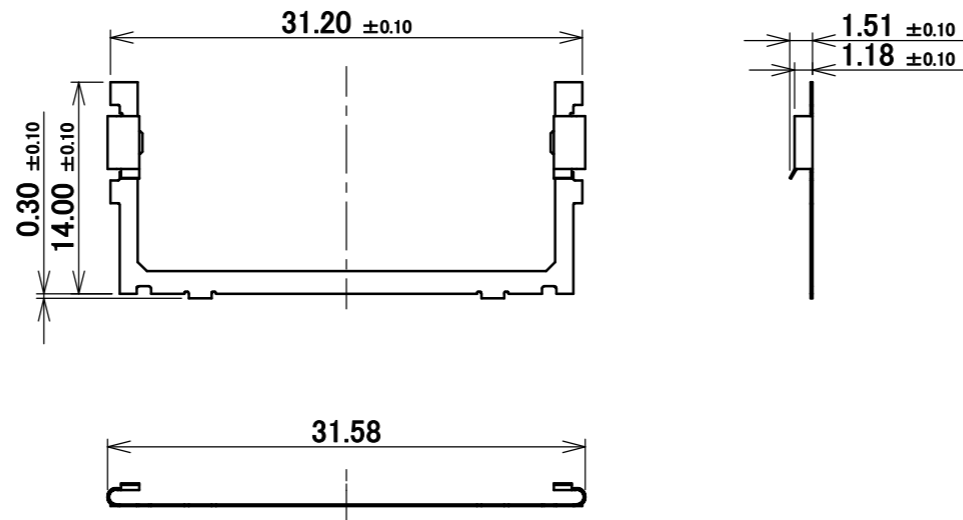


PART No.  
91437-0001



- NOTES.  
 1. MATERIAL : CORSON ALLOY  
 2. FINISH : Sn over Ni  
 3. WARP : 0.1 mm MAX.

					ANGLE	±2°	6 OVER 30 MAX.	±0.3	PROJECTION	SERIES No.	CUSTOMER COPY		
					6 MAX.	±0.2	30 OVER 120 MAX.	±0.5		R0	I-PEX		
					GENERAL TOLERANCE.				TITLE	SCALE	I-PEX		
					DWG.	DATE			ANCHOR	mm			
					K.Nisiyama	2021/12/09							
					CHK.					UNIT			
0	Z211519	KOH	21/12/09		APP.	DATE			DWG. No.	SIZE	SHEET	REV.	
					REVISION RECORD				Y.Hashimoto	91437	A3	1/1	0